



US00D816027S

(12) **United States Design Patent**
Chen

(10) **Patent No.:** **US D816,027 S**

(45) **Date of Patent:** **** Apr. 24, 2018**

(54) **WIRELESS CHARGER**

(71) Applicant: **Shenzhen Shenghaina Technology Co., LTD.**, Shenzhen, Guangdong (CN)

(72) Inventor: **Xiaowei Chen**, Guangdong (CN)

(73) Assignee: **SHENZHEN SHENGHAINA TECHNOLOGY CO., LTD.**, Guangdong (CN)

(**) Term: **15 Years**

(21) Appl. No.: **29/586,849**

(22) Filed: **Dec. 7, 2016**

(30) **Foreign Application Priority Data**

Aug. 24, 2016 (CN) 2016 3 0418456

(51) **LOC (11) Cl.** **13-02**

(52) **U.S. Cl.**
USPC **D13/108**

(58) **Field of Classification Search**

USPC D13/107-110, 118-119, 184; D14/251, D14/253, 432, 434

CPC Y02E 60/12; Y02T 90/14; Y02T 90/122; Y02T 90/128; Y02T 90/163; H02J 7/025; H02J 7/0042; H02J 7/0044; H02J 7/0045; H02J 7/0003; H01F 38/14; H01R 13/6675; H01M 2/1022; H01M 2/1055; H01M 10/44; H01M 10/46; H01M 10/425; B60L 11/182

See application file for complete search history.

(56) **References Cited**

U.S. PATENT DOCUMENTS

D645,865 S * 9/2011 Diehl D14/299
D649,153 S * 11/2011 Symons D14/447

D688,235 S * 8/2013 Song D14/253
D703,214 S * 4/2014 Lye D14/447
D703,676 S * 4/2014 Smith D14/447
D756,367 S * 5/2016 Kim D14/447
D760,214 S * 6/2016 Kemper D14/253
D772,812 S * 11/2016 Choe D13/108
D786,883 S * 5/2017 Chen D14/447
D788,780 S * 6/2017 Chen D14/447
D789,348 S * 6/2017 Kim D14/250
D799,494 S * 10/2017 Lee D14/447
2012/0181410 A1 * 7/2012 Ku A47B 23/042
248/453

* cited by examiner

Primary Examiner — Rosemary K Tarcza

Assistant Examiner — Nathaniel D. Buckner

(74) *Attorney, Agent, or Firm* — Buchanan Ingersoll & Rooney PC

(57) **CLAIM**

The ornamental design for a “wireless charger,” as shown and described.

DESCRIPTION

FIG. 1 is a perspective view of a wireless charger showing my new design;

FIG. 2 is a front view of the wireless charger;

FIG. 3 is a rear view of the wireless charger;

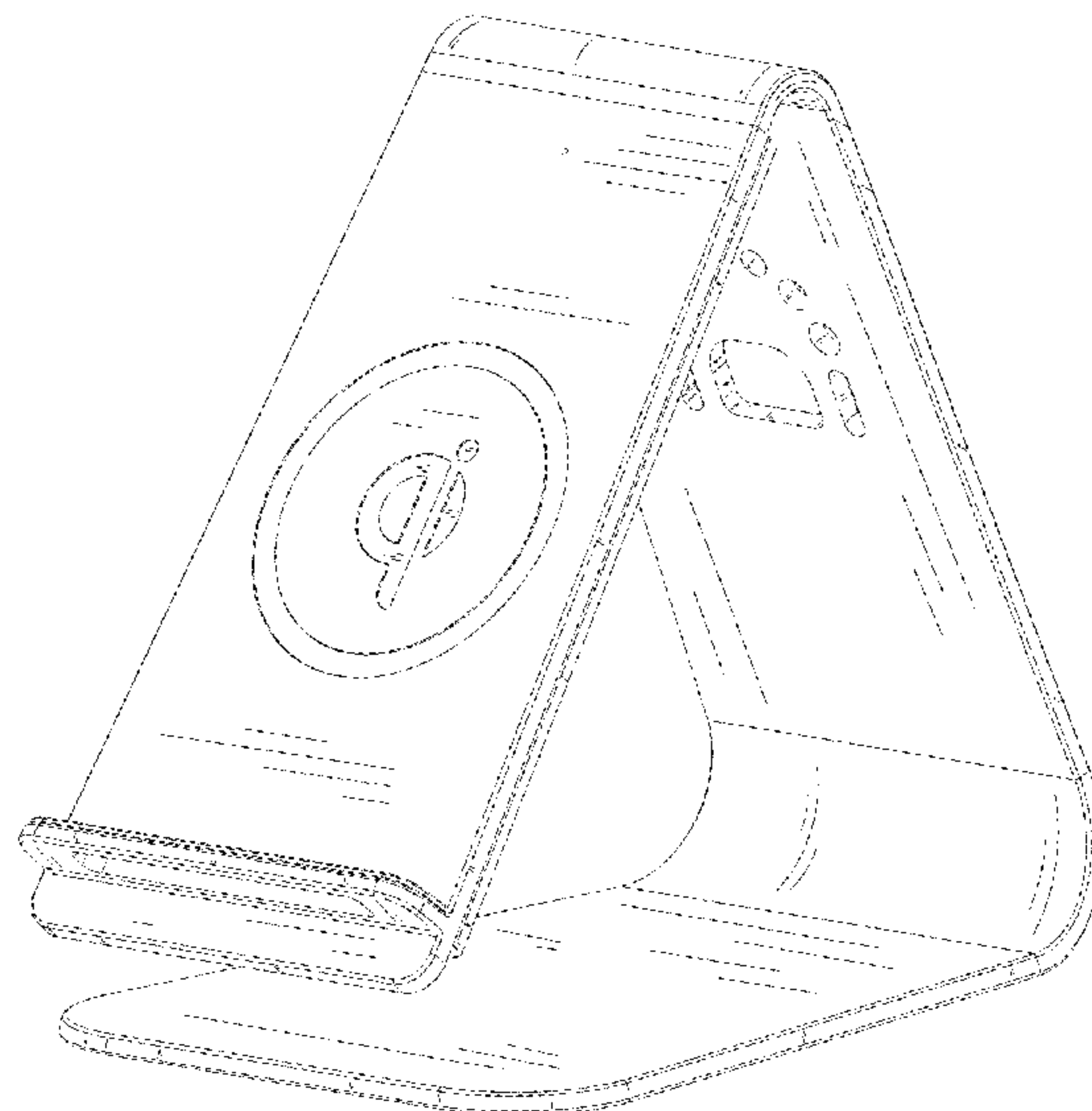
FIG. 4 is a left side view of the wireless charger;

FIG. 5 is a right side view of the wireless charger;

FIG. 6 is a top view of the wireless charger; and,

FIG. 7 is a bottom view of the wireless charger.

1 Claim, 7 Drawing Sheets



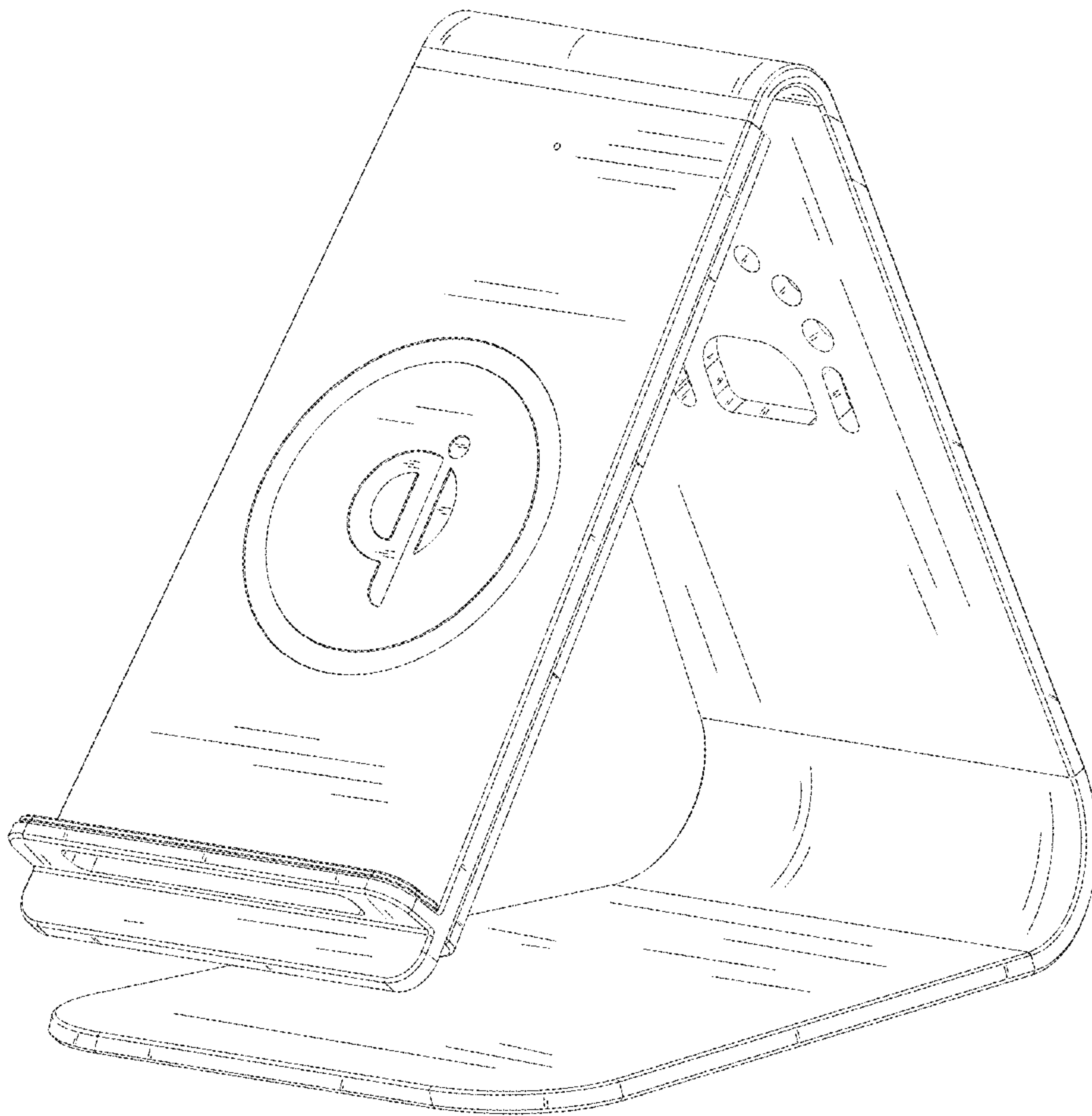


FIG.1

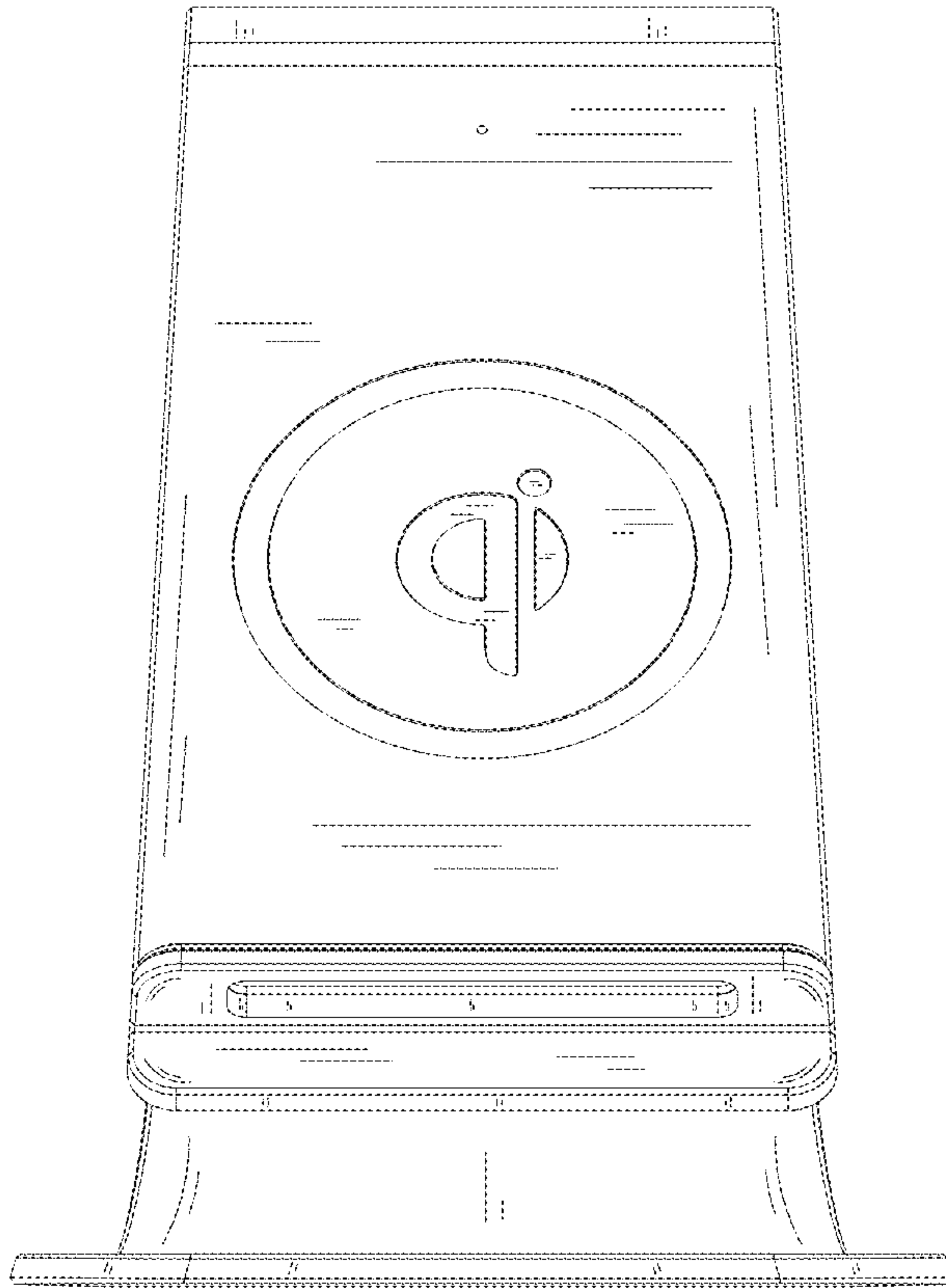


FIG.2

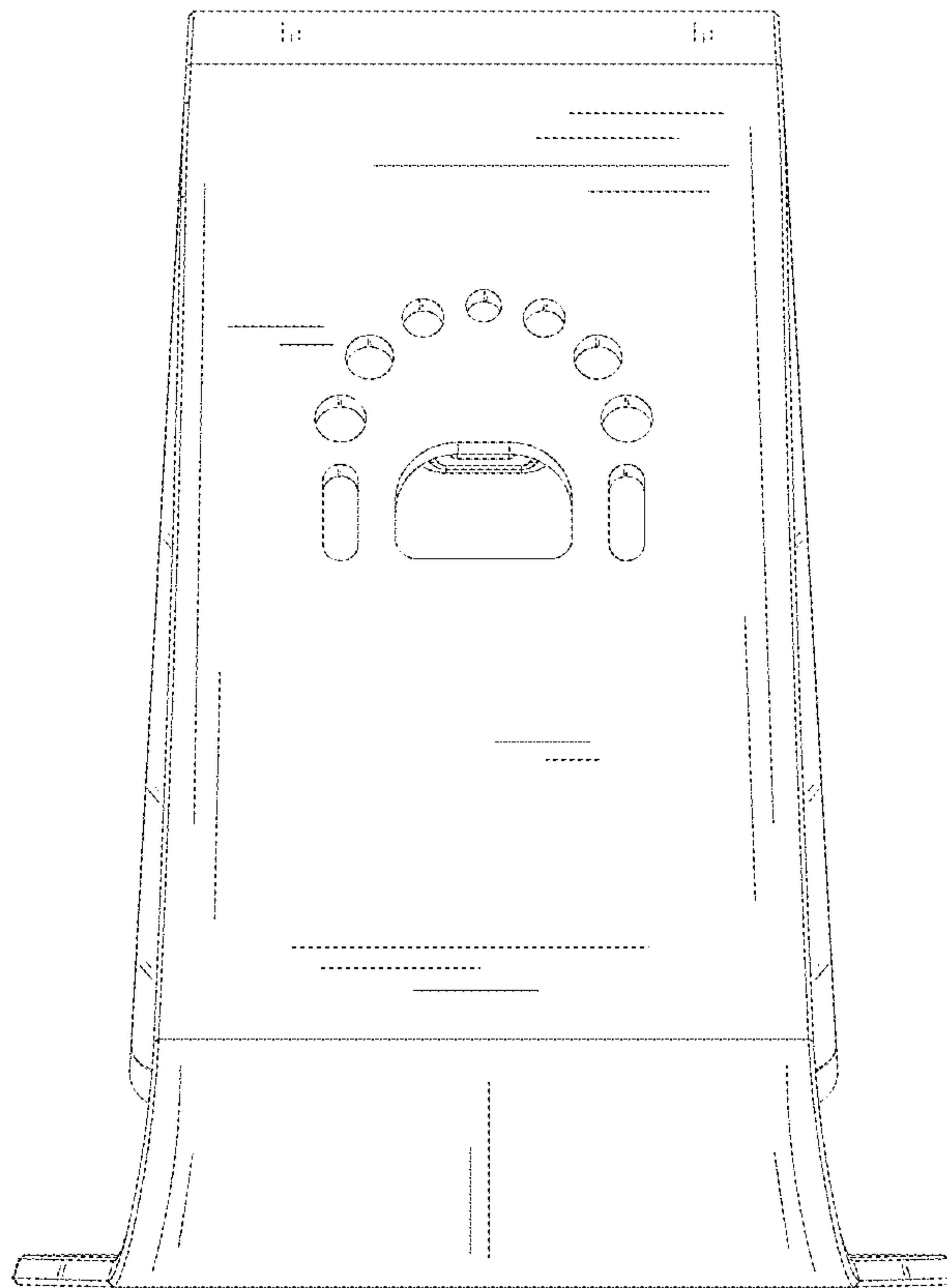


FIG.3

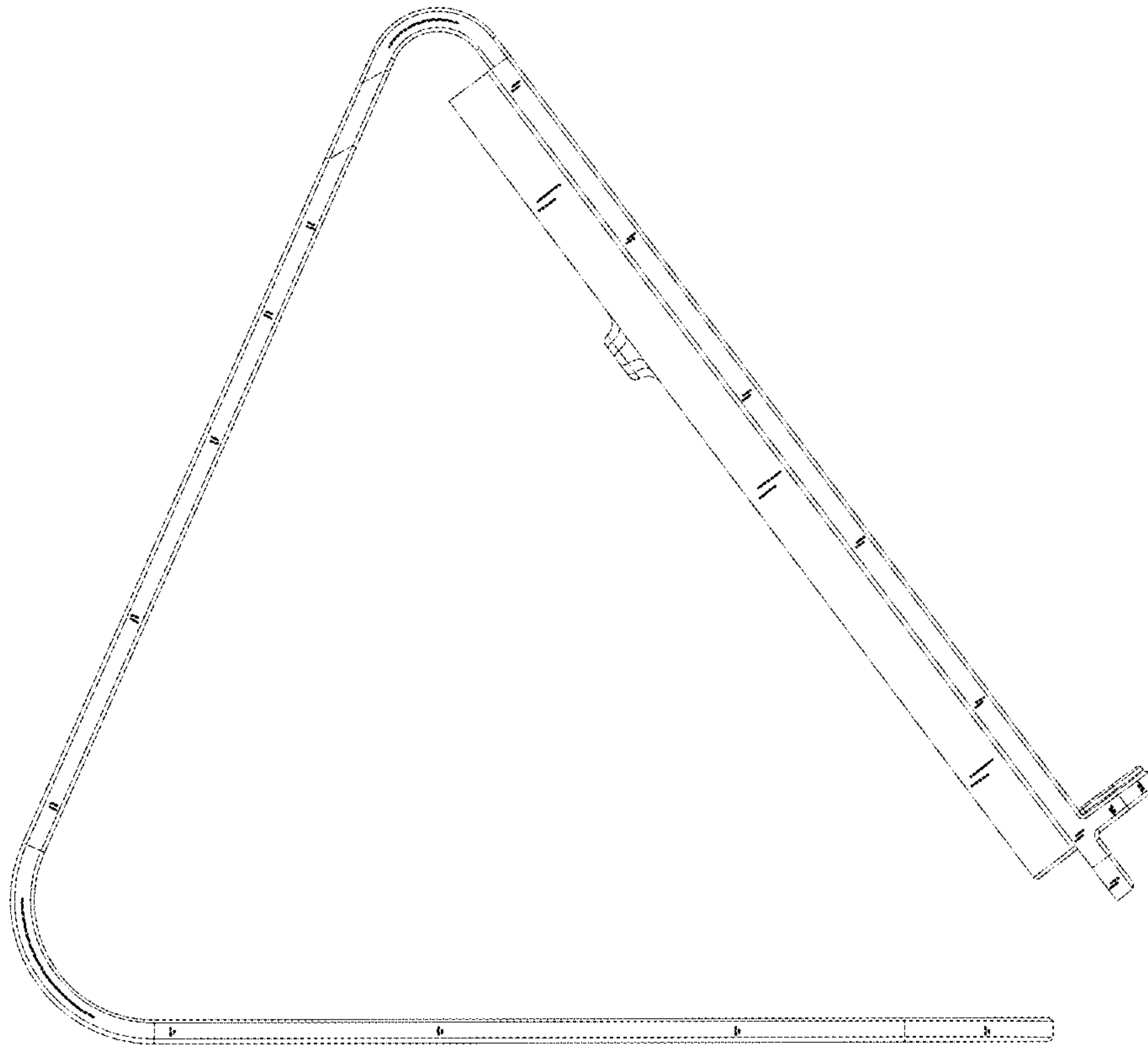


FIG.4

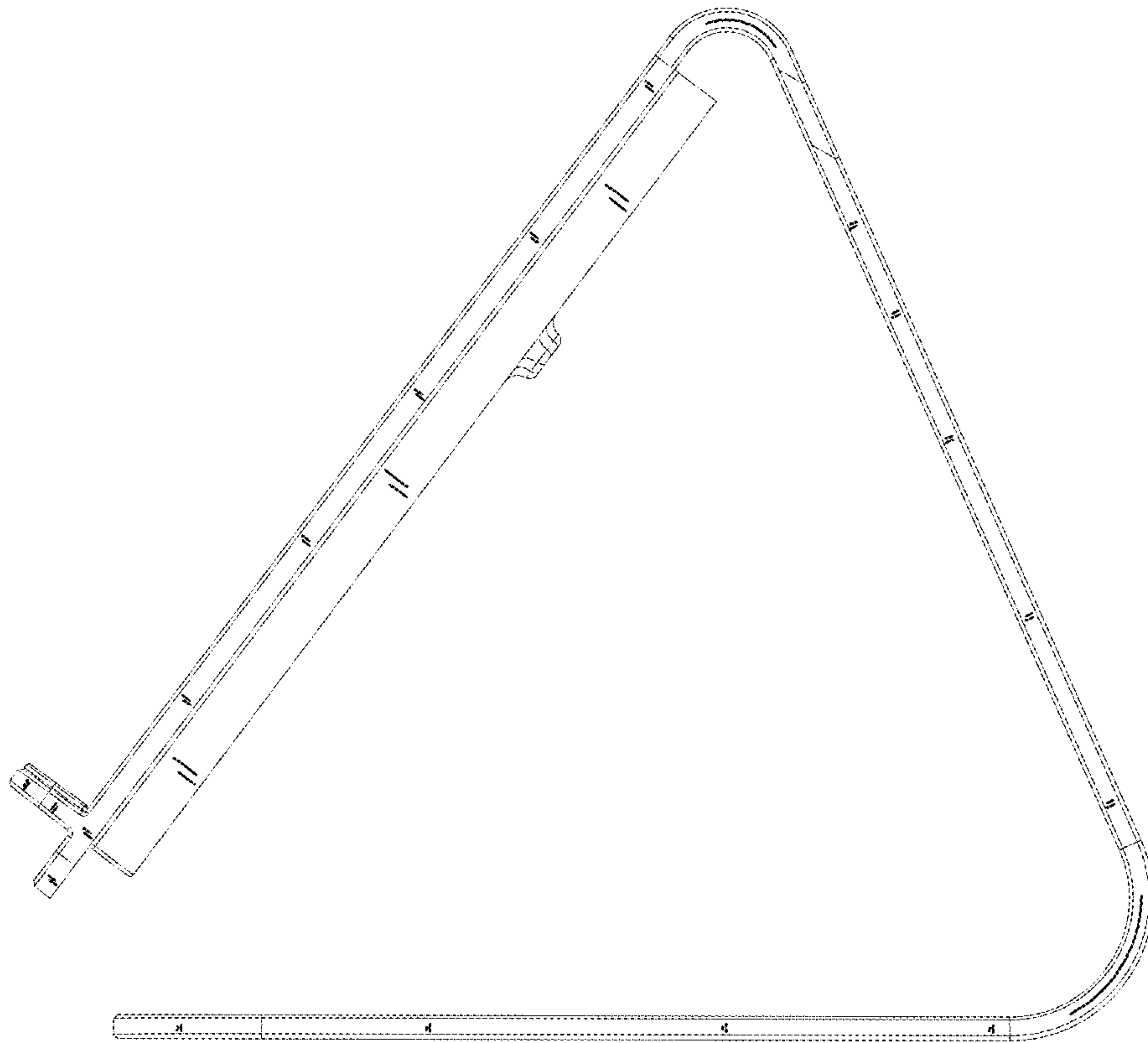


FIG.5

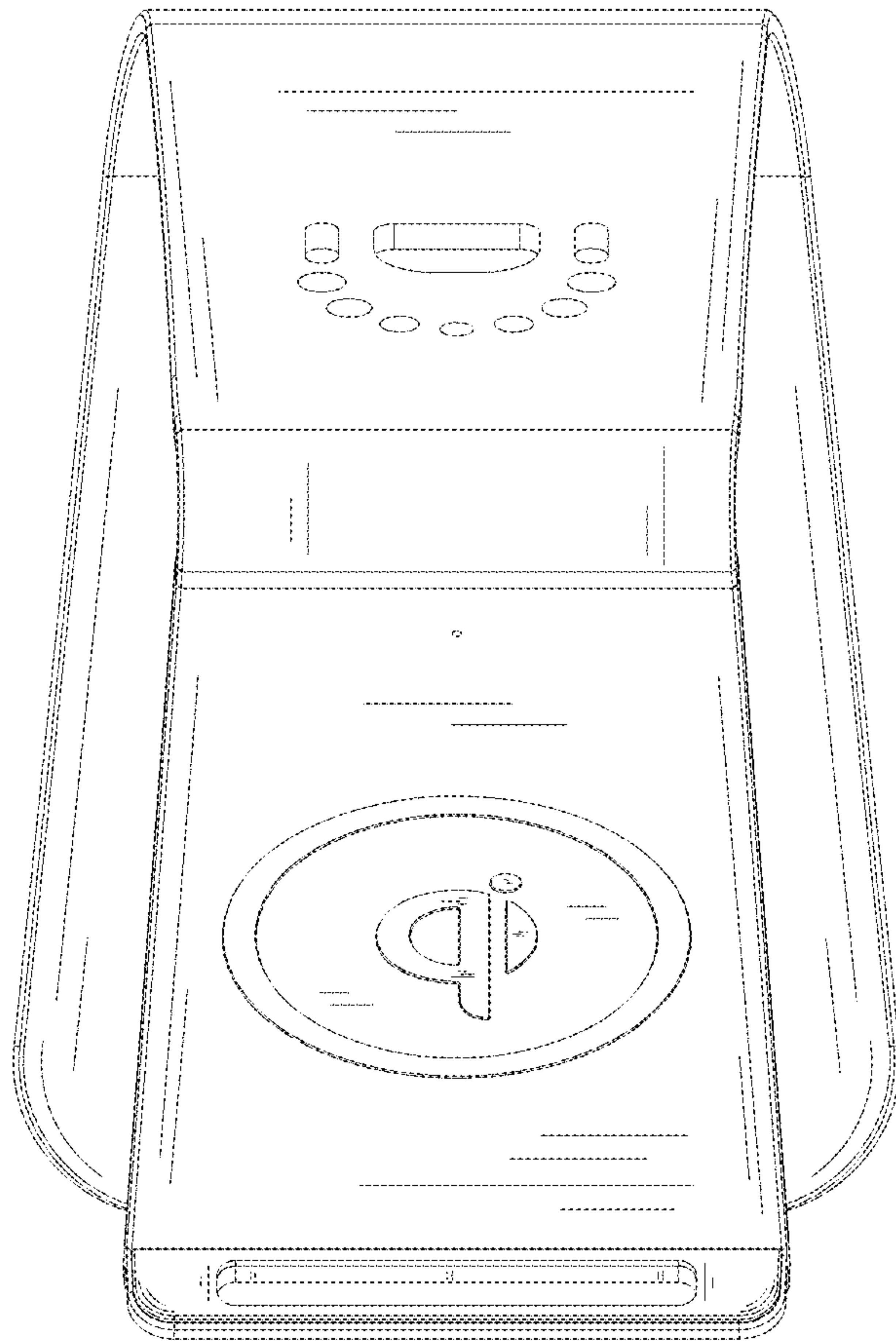


FIG.6

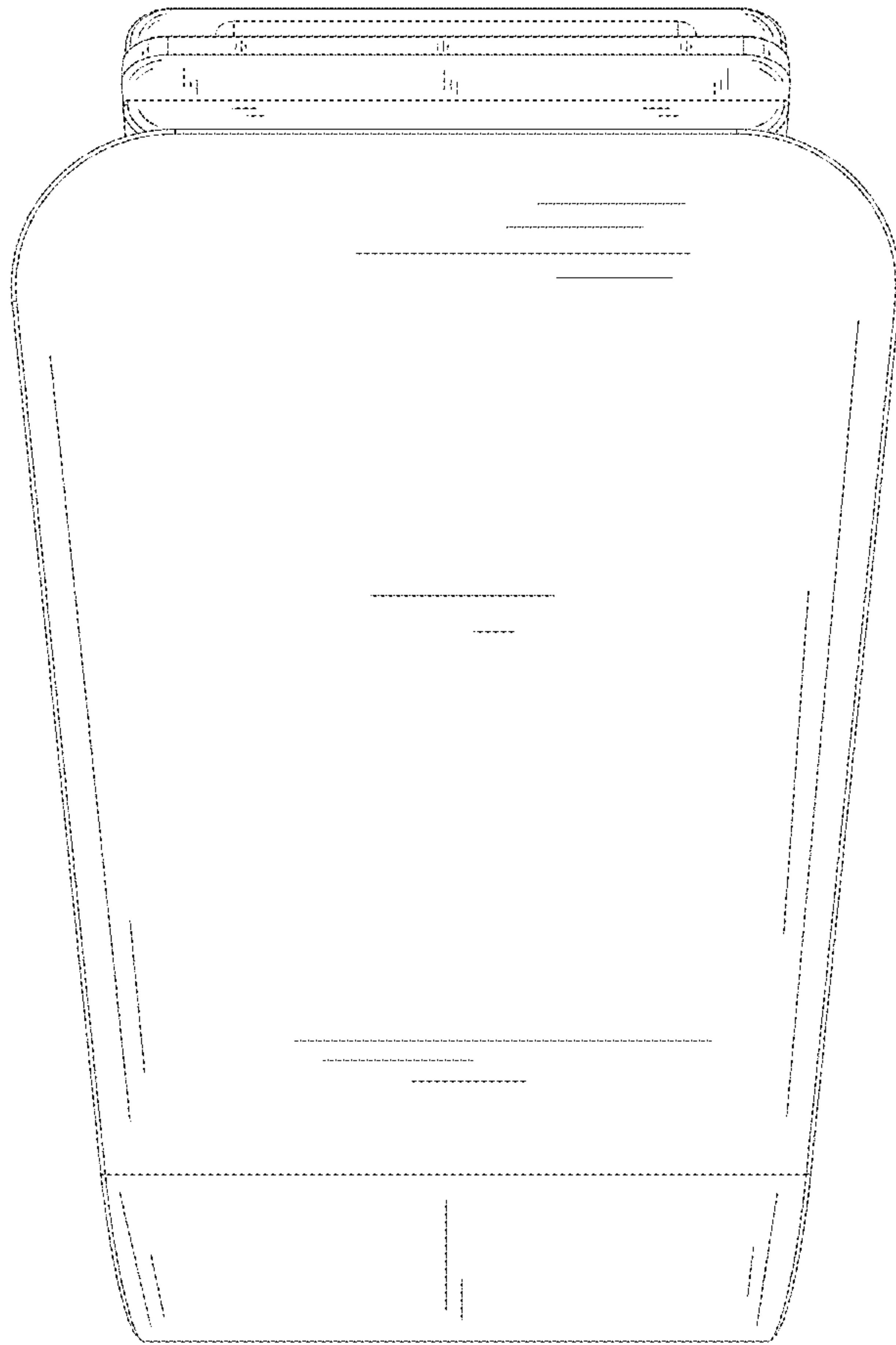


FIG.7