



US00D816026S

(12) **United States Design Patent**
Georgiades

(10) **Patent No.:** **US D816,026 S**
(45) **Date of Patent:** **** Apr. 24, 2018**

(54) **PORTABLE BATTERY CHARGER**

(71) Applicant: **Molonlave Group LLC**, Long Island City, NY (US)

(72) Inventor: **Marios Georgiades**, Saddle River, NJ (US)

(73) Assignee: **MOLONLAVE GROUP LLC**, Long Island City, NY (US)

(**) Term: **15 Years**

(21) Appl. No.: **29/583,959**

(22) Filed: **Nov. 10, 2016**

(51) **LOC (11) Cl.** **13-02**

(52) **U.S. Cl.**
USPC **D13/108; D13/103**

(58) **Field of Classification Search**
USPC D13/102-110, 118-119, 184, 199;
D14/356, 432

CPC Y02E 60/10; Y02E 60/12; Y02E 60/122;
Y02E 60/124; Y02E 60/50; H01M 2/02;
H01M 2/022; H01M 2/0202; H01M
2/0207; H01M 2/0212; H01M 2/1061;
H01M 2/1022; H01M 2/1055; H01M
2/1066; H01M 2/105; H01M 2/20; H01M
2/204; H01M 2/206; H01M 10/44; H01M
10/46; H01M 10/465; H01M 10/482;
H01M 2200/30; H01M 2250/30; H01M
2250/40; H02J 7/00; H02J 7/0003; H02J
7/0011; H02J 7/0013; H02J 7/0054; H02J
7/0055; H02J 7/0057; H02J 2007/0062

See application file for complete search history.

(56) **References Cited**

U.S. PATENT DOCUMENTS

D363,055 S * 10/1995 Kobayashi D13/103
D538,222 S * 3/2007 Curello D13/103

D654,850 S * 2/2012 Obata D13/103
D665,346 S * 8/2012 Kumagai D13/108
D683,305 S * 5/2013 Gupta D13/103
D716,726 S * 11/2014 Workman D13/110
D743,888 S * 11/2015 Dasbach D13/110
D756,920 S * 5/2016 Dasbach D13/110
D759,017 S * 6/2016 Schwalbach D14/433
D769,877 S * 10/2016 Akana D14/433
9,746,881 B2 * 8/2017 Owens, Jr. G06F 1/1632
D796,514 S * 9/2017 Xu D14/433
D797,040 S * 9/2017 Lavin, Jr. D13/103
D797,747 S * 9/2017 Xu D14/433
D797,751 S * 9/2017 Houston D14/420

* cited by examiner

Primary Examiner — Rosemary K Tarcza

Assistant Examiner — Nathaniel D Buckner

(74) *Attorney, Agent, or Firm* — Ladas & Parry LLP

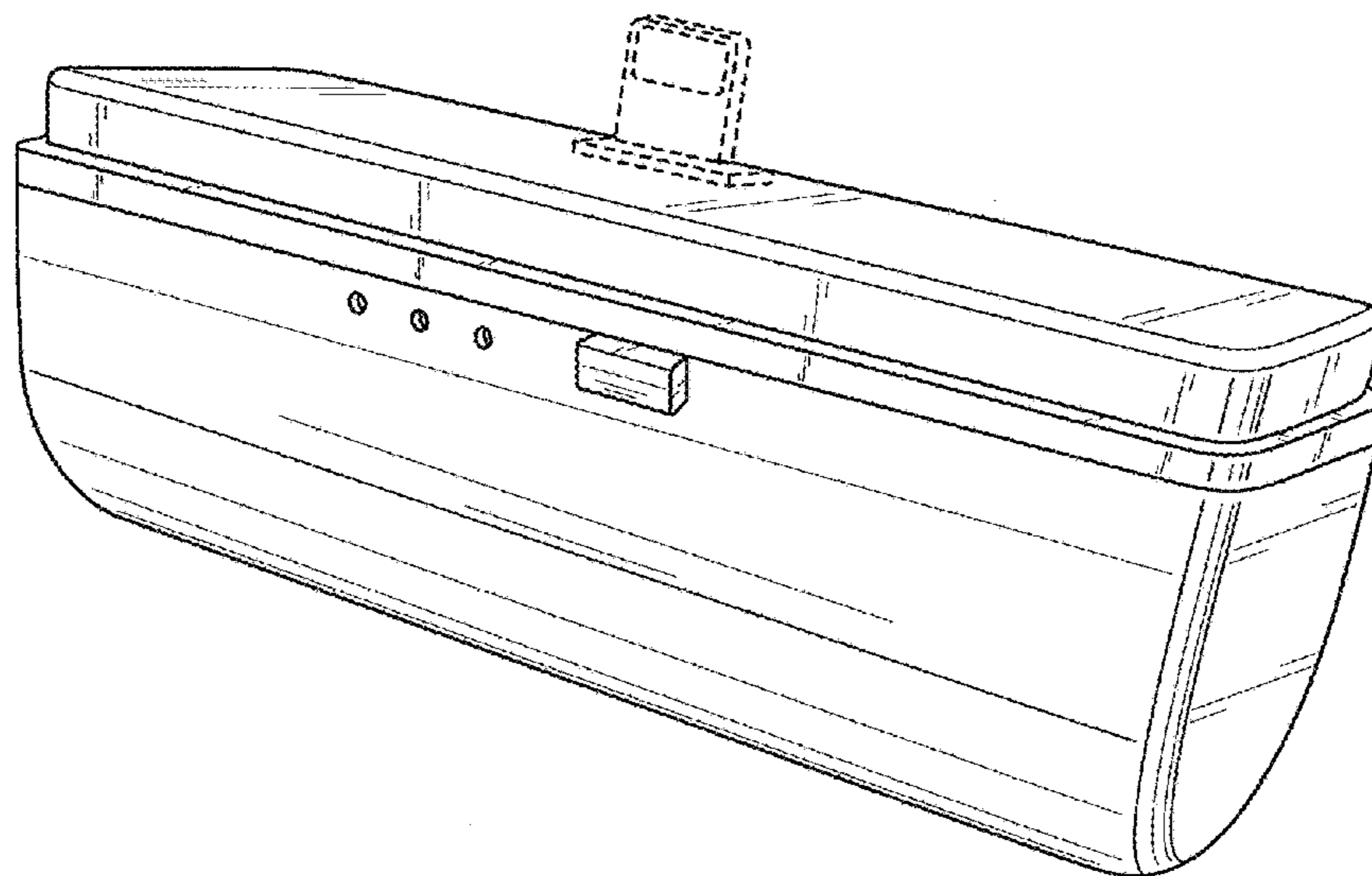
(57) **CLAIM**

The ornamental design for a portable battery charger, as shown and described.

DESCRIPTION

FIG. 1 is a perspective view of a portable battery charger showing the new design;
FIG. 2 is a front elevation view thereof;
FIG. 3 is rear elevation view thereof;
FIG. 4 is a right side elevation view thereof;
FIG. 5 is a left side elevation view thereof;
FIG. 6 is a top plan view thereof; and,
FIG. 7 is a bottom plan view thereof.
The broken lines in the figures represent portions of the article which form no part of the claim.

1 Claim, 4 Drawing Sheets



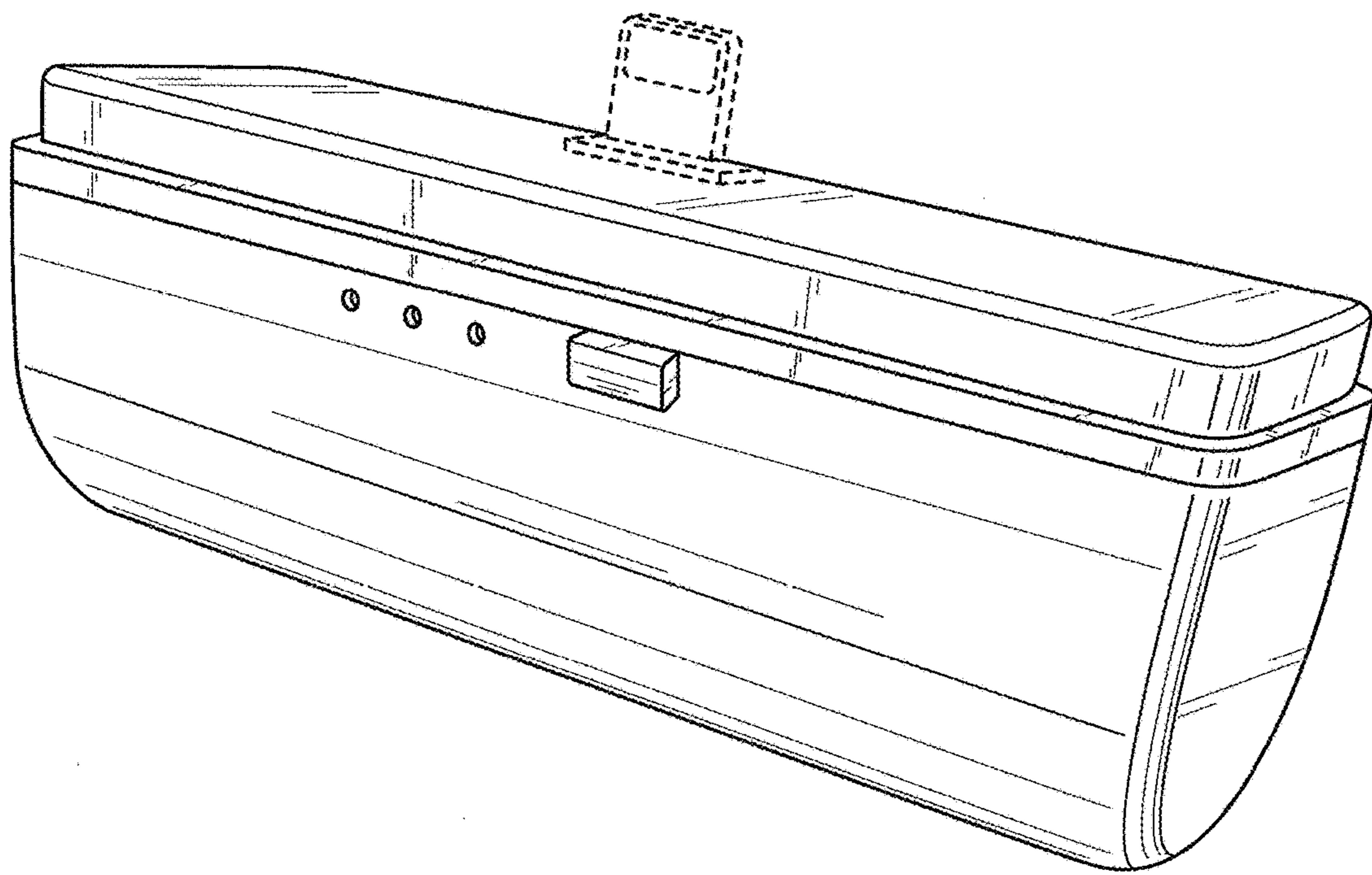


FIG. 1

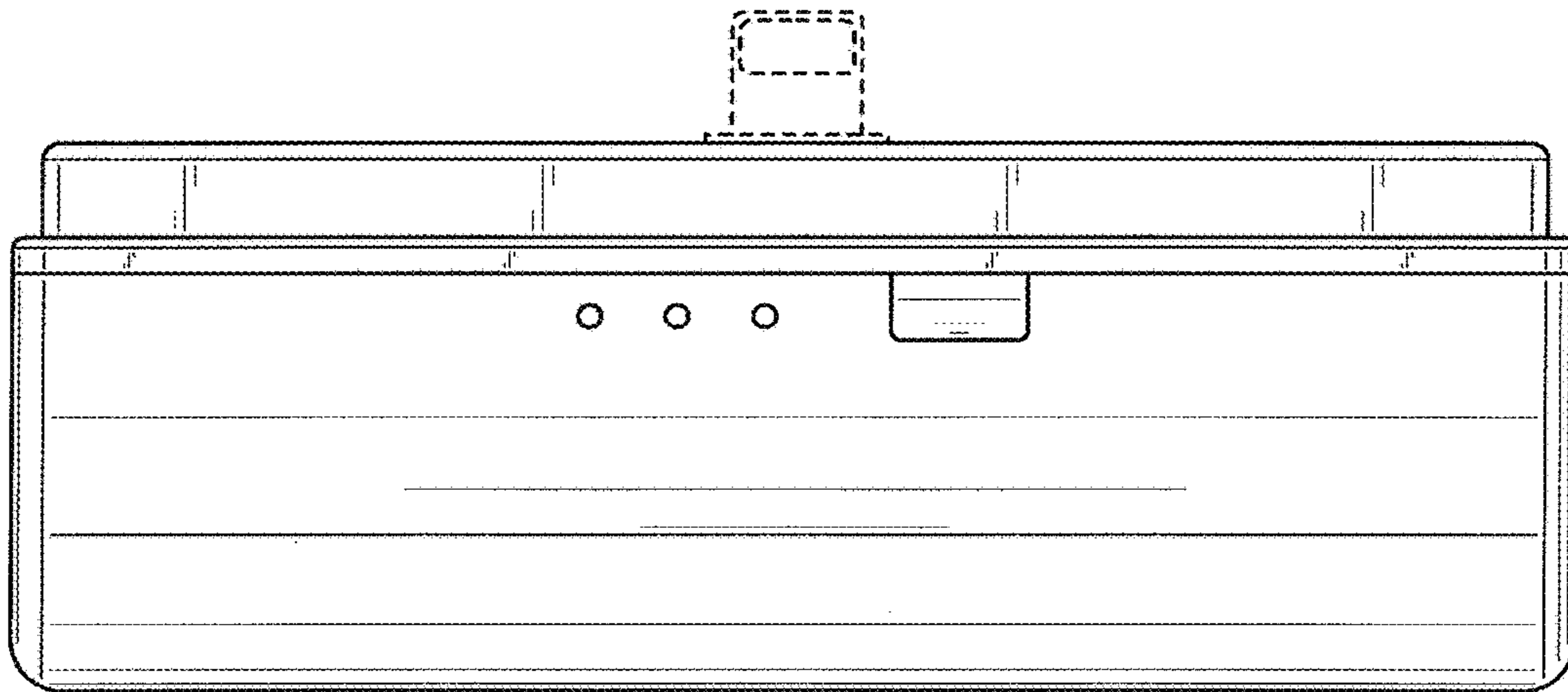


FIG. 2

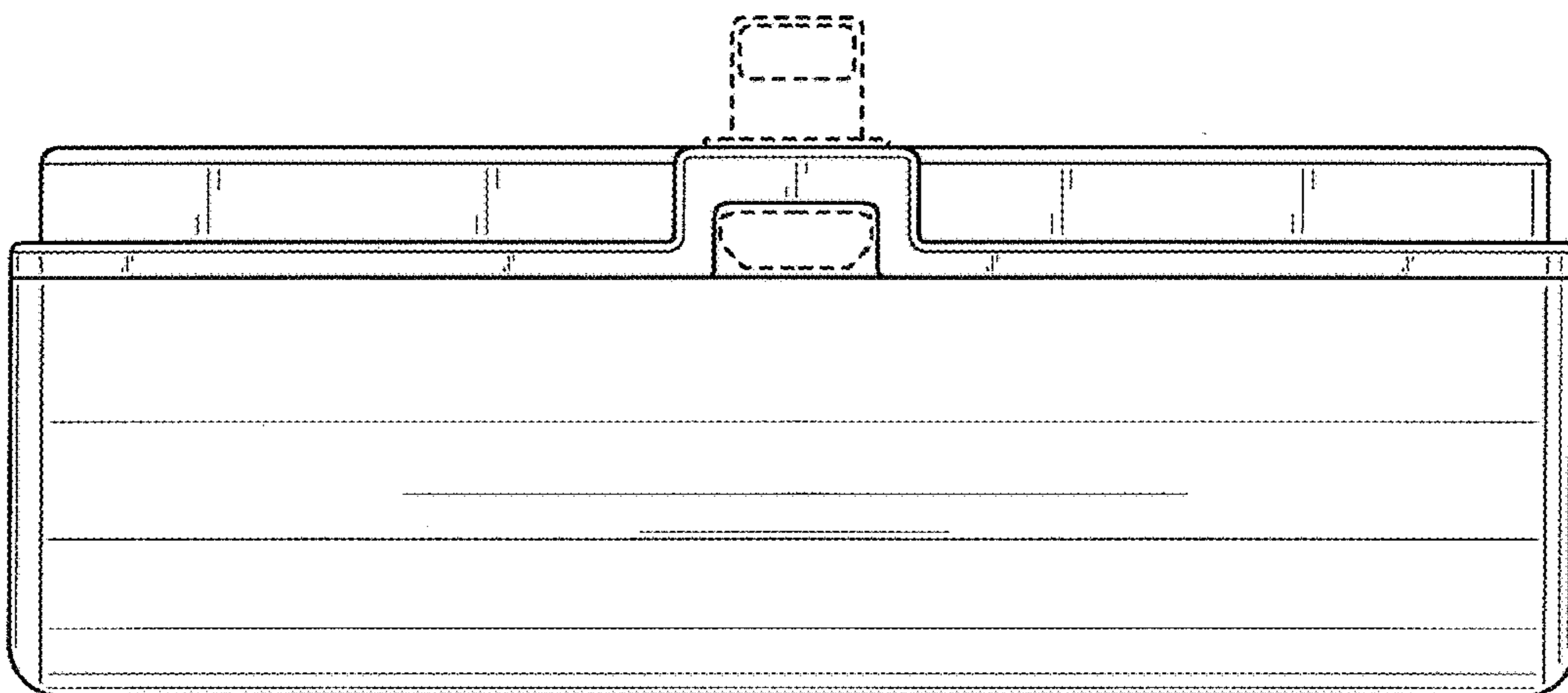


FIG. 3

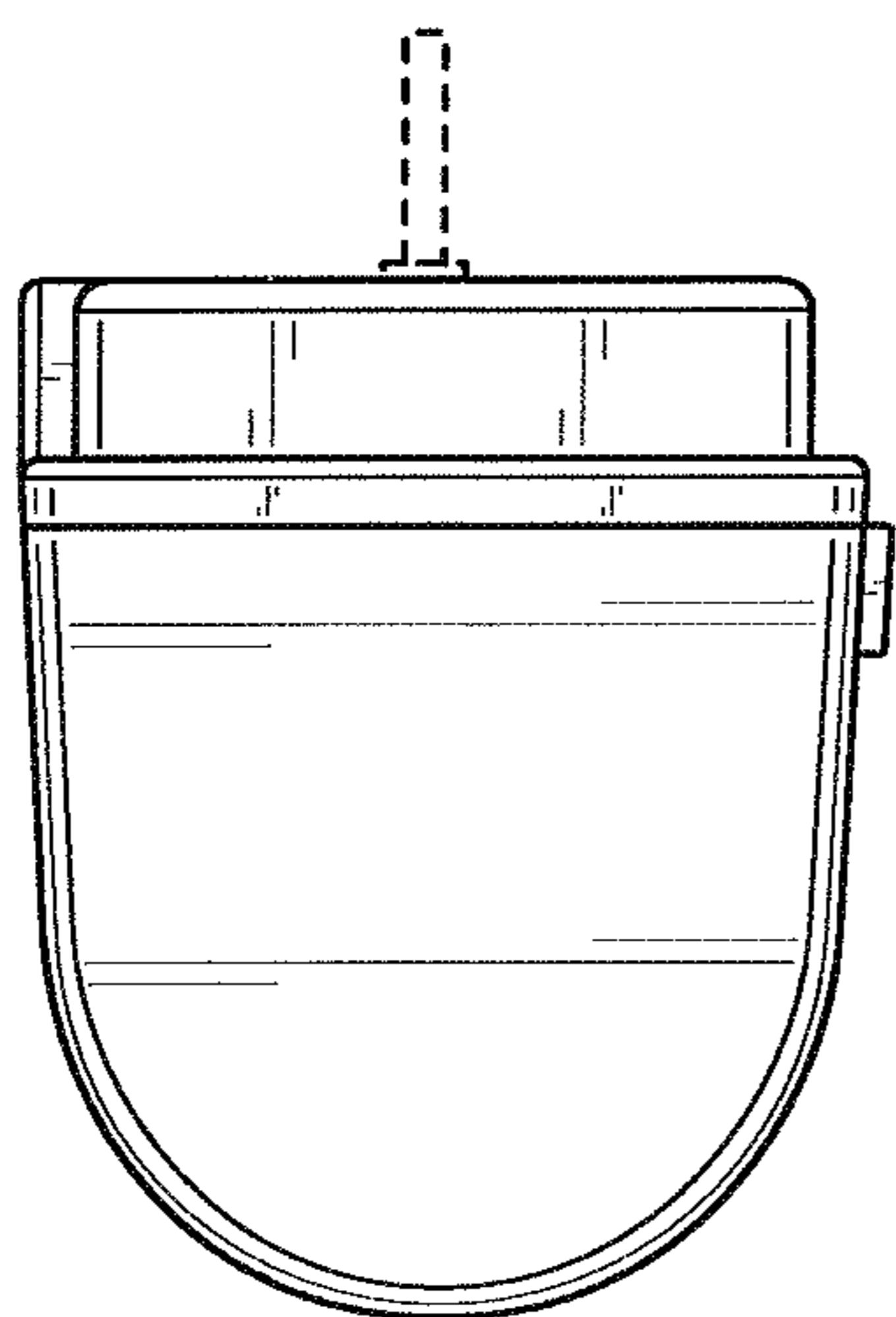


FIG. 4

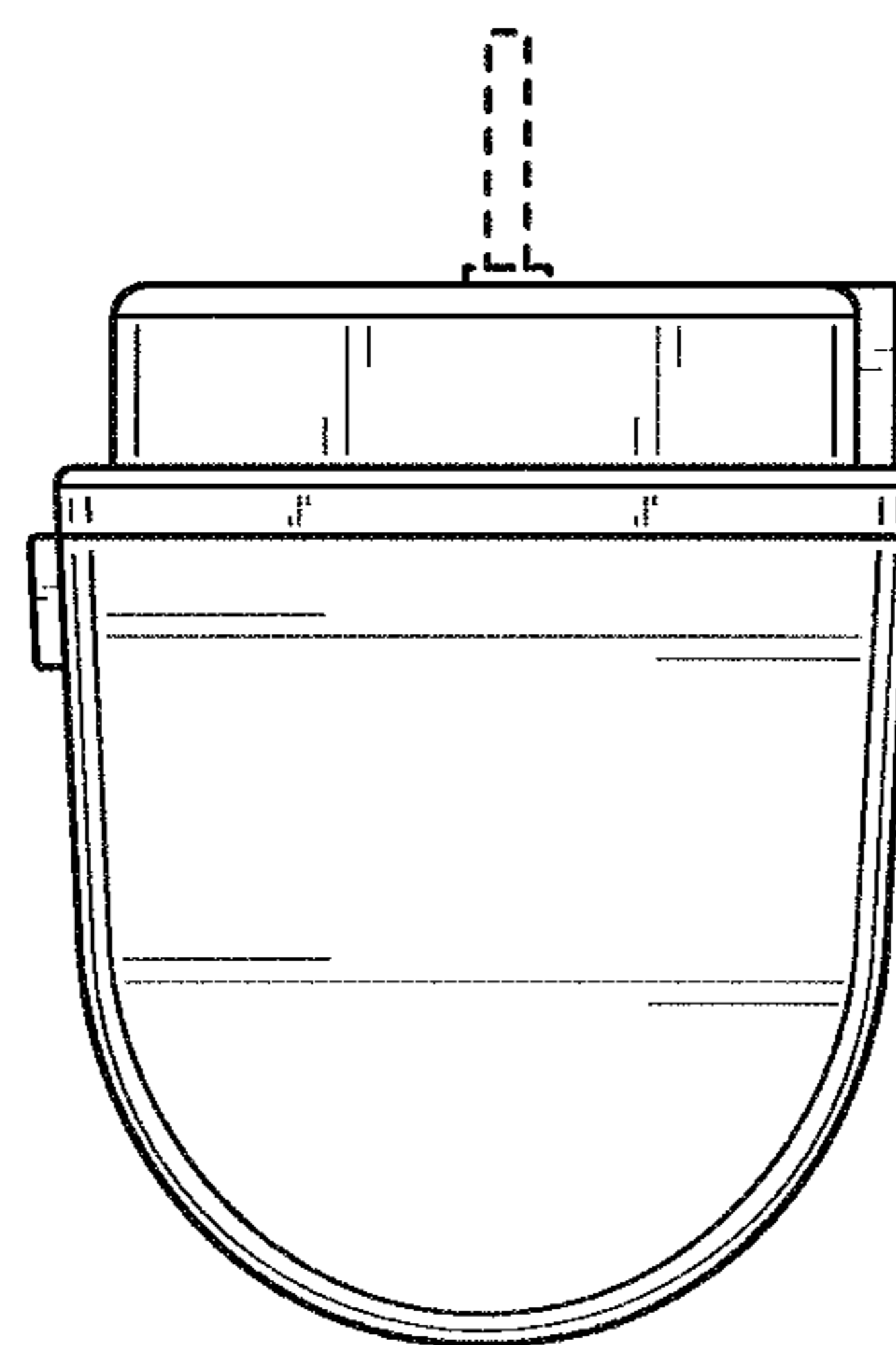


FIG. 5

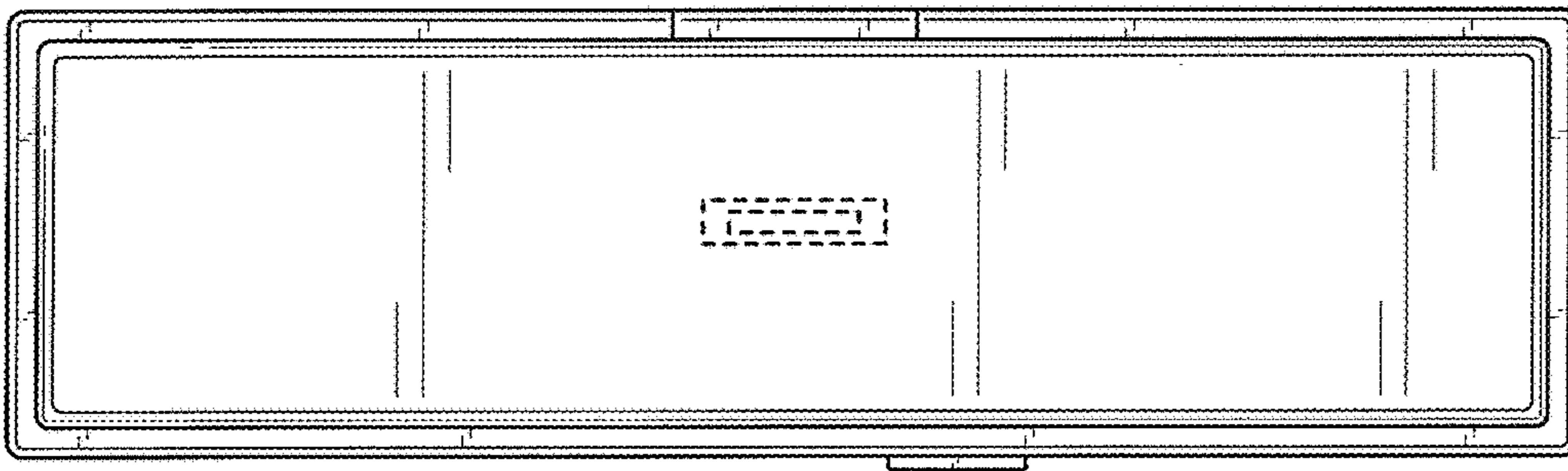


FIG. 6

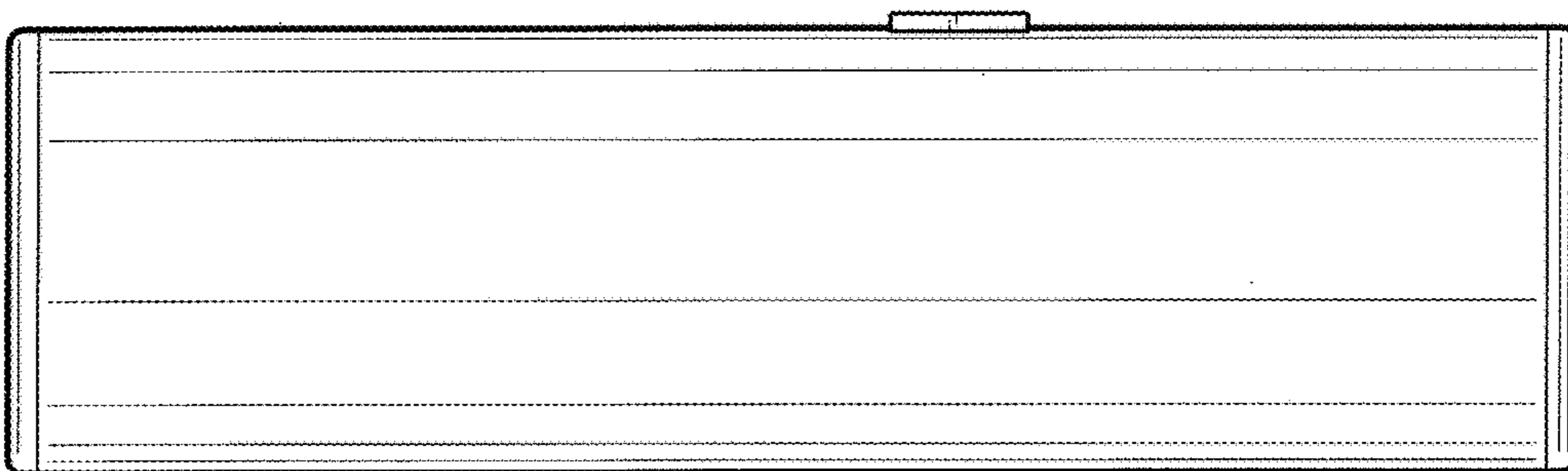


FIG. 7