



US00D816025S

(12) **United States Design Patent**
Thompson

(10) **Patent No.:** **US D816,025 S**
(45) **Date of Patent:** **** Apr. 24, 2018**

(54) **CHARGER FOR AN ELECTRIC CIGARETTE**

(71) Applicant: **JT International S.A.**, Geneva (CH)

(72) Inventor: **James Thompson**, London (GB)

(73) Assignee: **JT INTERNATIONAL S.A.**, Geneva (CH)

(**) Term: **15 Years**

(21) Appl. No.: **29/572,022**

(22) Filed: **Jul. 25, 2016**

(30) **Foreign Application Priority Data**

Jan. 25, 2016 (JP) 2016-001333

(51) **LOC (11) Cl.** **13-02**

(52) **U.S. Cl.**
USPC **D13/108; D27/194**

(58) **Field of Classification Search**

USPC D13/101, 102, 103, 107, 108, 110, 118,
D13/119, 123, 133, 134, 135, 146, 147,
D13/148, 149, 150, 151, 153, 154, 155,
D13/156, 173, 184, 199; D14/480.1;
D27/167, 194

CPC H01R 13/40; H01R 13/64; H01R 13/66;
H01R 4/00; H01R 4/60; H01R 4/66;
H01R 13/00; H01R 13/44; H01R 13/52;
H01R 13/58; H01R 13/62; H01R 24/38;
H01R 43/00; H01R 43/18; H01R 43/22;
G02B 6/38; G02B 6/4442; G02B 6/42;
G02B 6/40; G02B 6/3897; G02B 6/36;
G02B 6/32; G02B 6/26; G02B 6/24;
G02B 6/00

See application file for complete search history.

(56) **References Cited**

U.S. PATENT DOCUMENTS

D650,334 S * 12/2011 Matsuoka D13/133
D656,139 S * 3/2012 Schlossstein D14/480.1

D704,629 S * 5/2014 Liu D13/108
D733,650 S * 7/2015 Liu D13/108
D733,651 S * 7/2015 Liu D13/108
D736,702 S * 8/2015 Ovadia D13/108
D736,704 S * 8/2015 Liu D13/108
D749,510 S * 2/2016 Liu D13/108

(Continued)

OTHER PUBLICATIONS

The Smoker's Halo Kit, posted at Switch-to-e-cig.com, posted on Oct. 21, 2012, [online], [site visited May 24, 2017]. Available from Internet, <<https://web.archive.org/web/20121021215531/http://www.switch-to-e-cig.com/The-Smokers-Halo-Kit.html>>.*

(Continued)

Primary Examiner — Mary Ann Calabrese

Assistant Examiner — Catherine Ho

(74) *Attorney, Agent, or Firm* — Ohlandt, Greeley, Ruggiero & Perle, LLP

(57) **CLAIM**

The ornamental design for a charger for an electric cigarette, as shown and described.

DESCRIPTION

FIG. 1 is a perspective view of a charger for an electric cigarette.

FIG. 2 is a front elevation view thereof. A rear elevation view is a mirror image of the front elevation view.

FIG. 3 is a top plan view thereof.

FIG. 4 is a bottom plan view thereof.

FIG. 5 is a left side elevation view thereof.

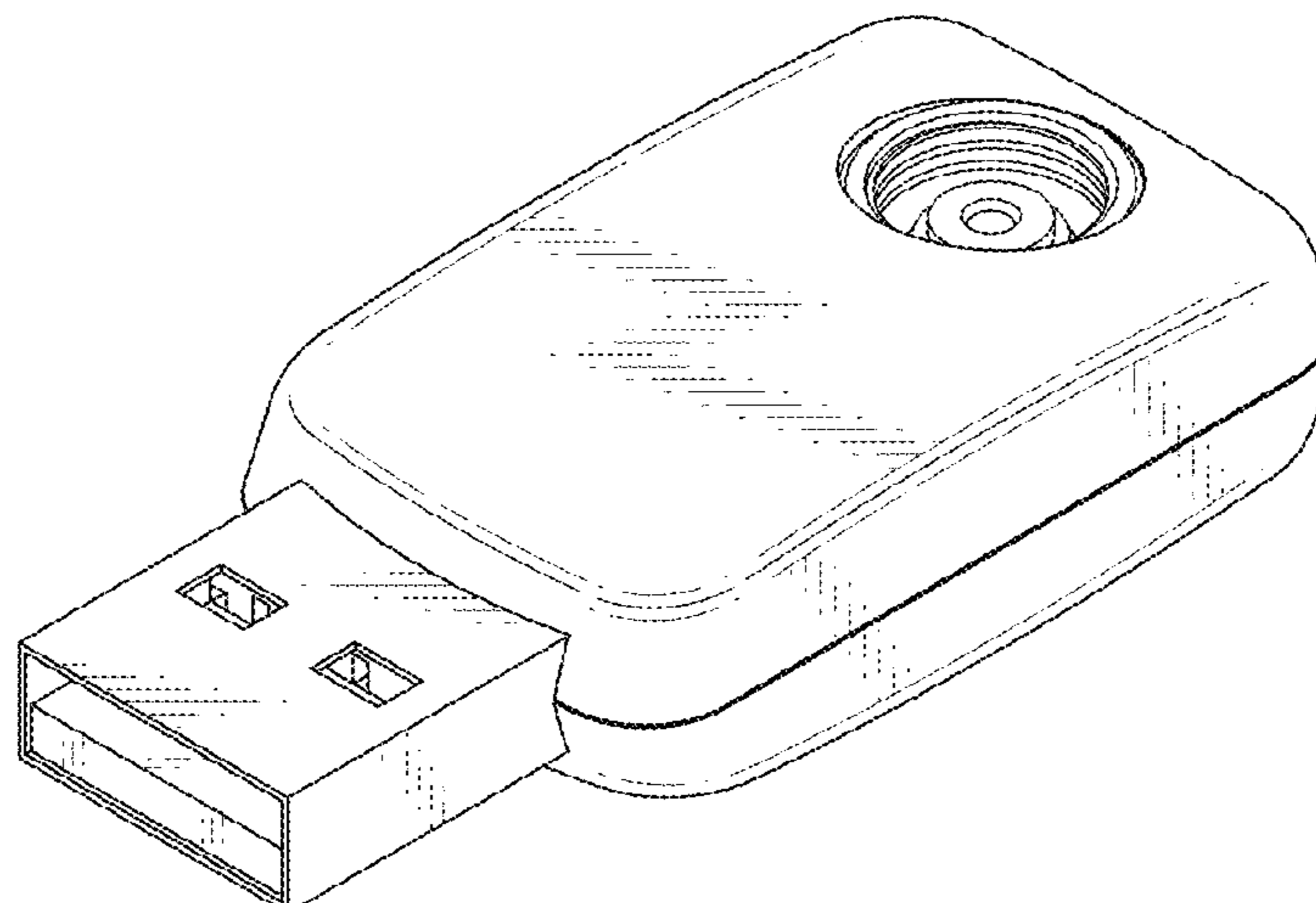
FIG. 6 is a right side elevation view thereof.

FIG. 7 is an enlarged cross-sectional view taken along the line 7-7 in FIG. 3; and,

FIG. 8 shows a charger for an electric cigarette in an environment of use.

The broken lines shown in the drawings illustrate portions of the charger for an electric cigarette that form no part of the claimed design.

1 Claim, 8 Drawing Sheets



(56)

References Cited

U.S. PATENT DOCUMENTS

9,407,313 B2 * 8/2016 Chua H04B 1/40
2003/0049960 A1 * 3/2003 Epe H01R 13/5202
439/352
2013/0252475 A1 * 9/2013 Mochizuki H01R 13/64
439/660

OTHER PUBLICATIONS

Wholesale—Vape Tray USB Charger, posted at Dhgate.com, posted on Nov. 19, 2013, [online], [site visited May 24, 2017]. Available from Internet, <<https://web.archive.org/web/20131119225550/http://www.dhgate.com:80/product/vape-tray-usb-charger-ego-stand-ego-holder/171665867.html>>.*

A Guide to Safe E-Cig Charging, posted at Ecigaretterevuewed.com, posted on Mar. 24, 2014, [online], [site visited May 24, 2017]. Available from Internet, <<http://ecigaretterevuewed.com/e-cig-charging-safety>>.*

USB Charger—Future Cigarettes, posted at Futurecigarettes.co.uk, posted on Dec. 17, 2013, [online], [site visited May 24, 2017]. Available from Internet, <<https://web.archive.org/web/20131217193234/http://futurecigarettes.co.uk:80/product/usb-charger/>>.*

* cited by examiner

FIG. 1

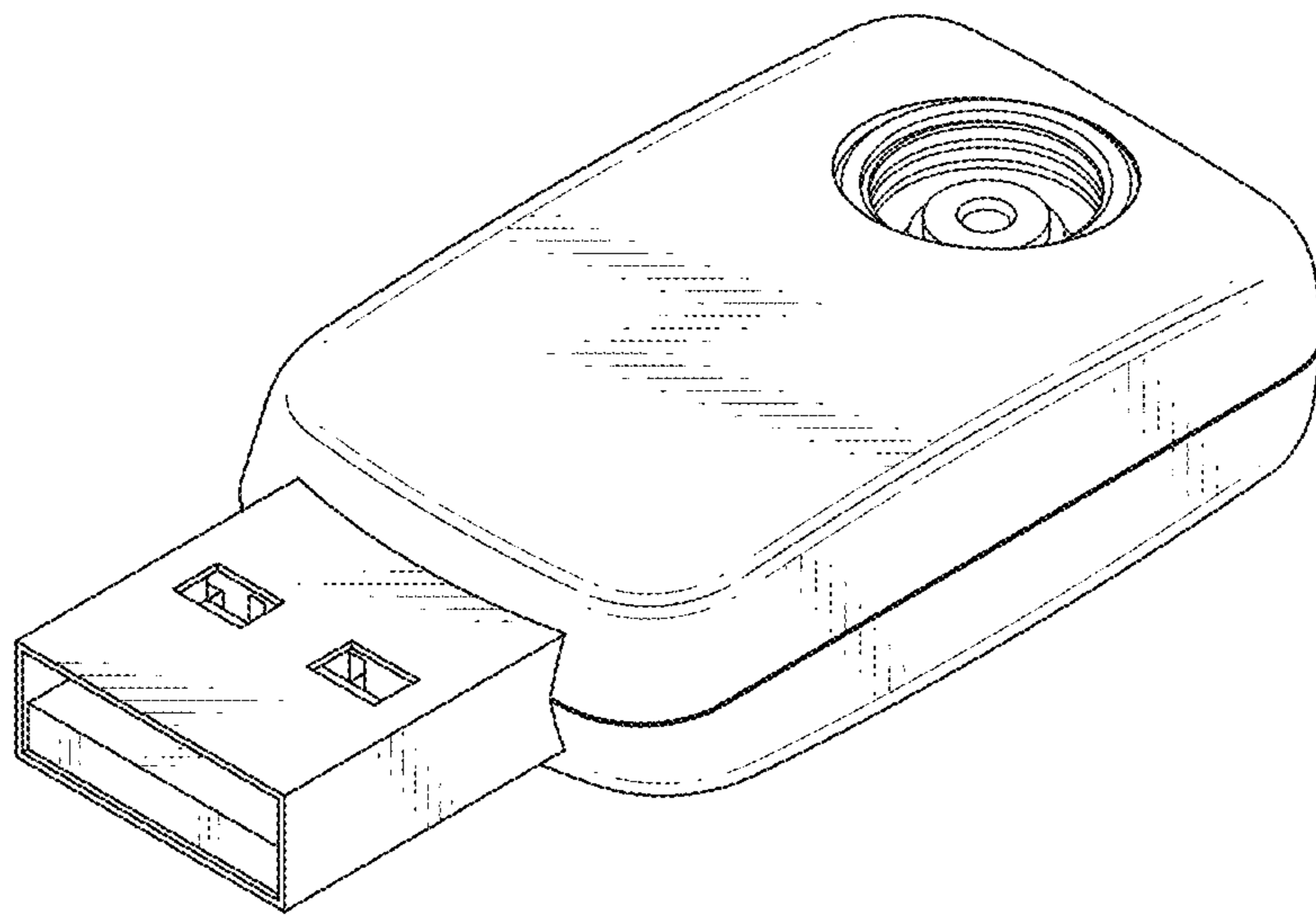


FIG. 2

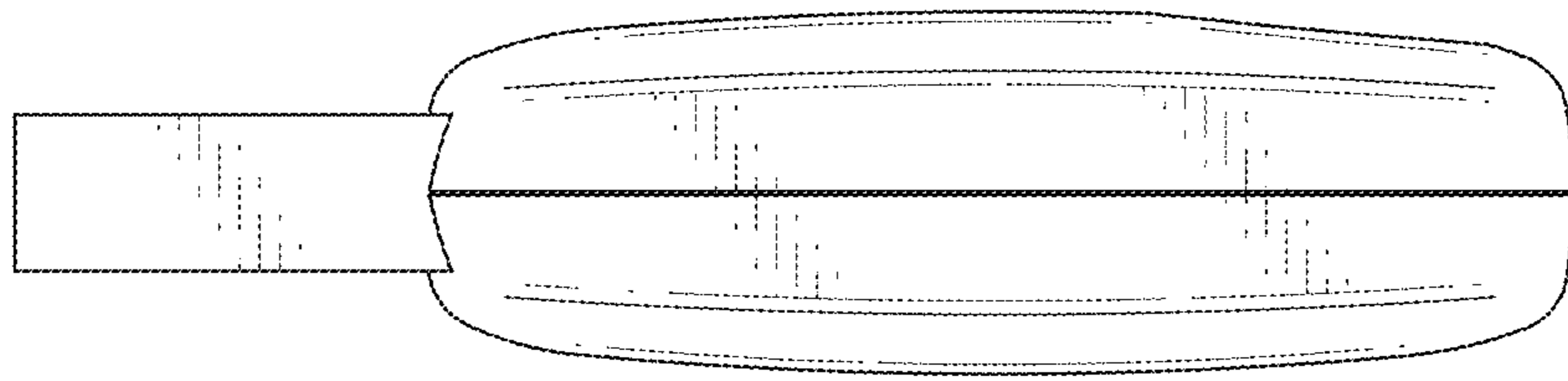


FIG. 3

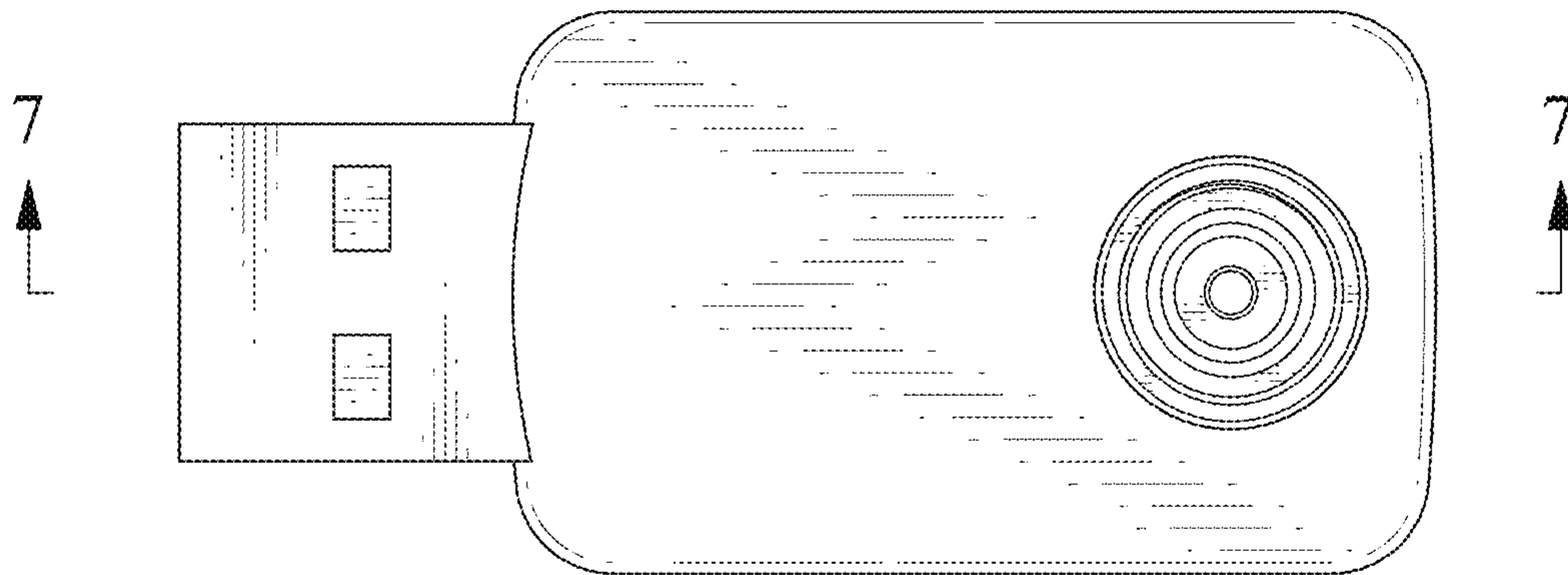


FIG. 4

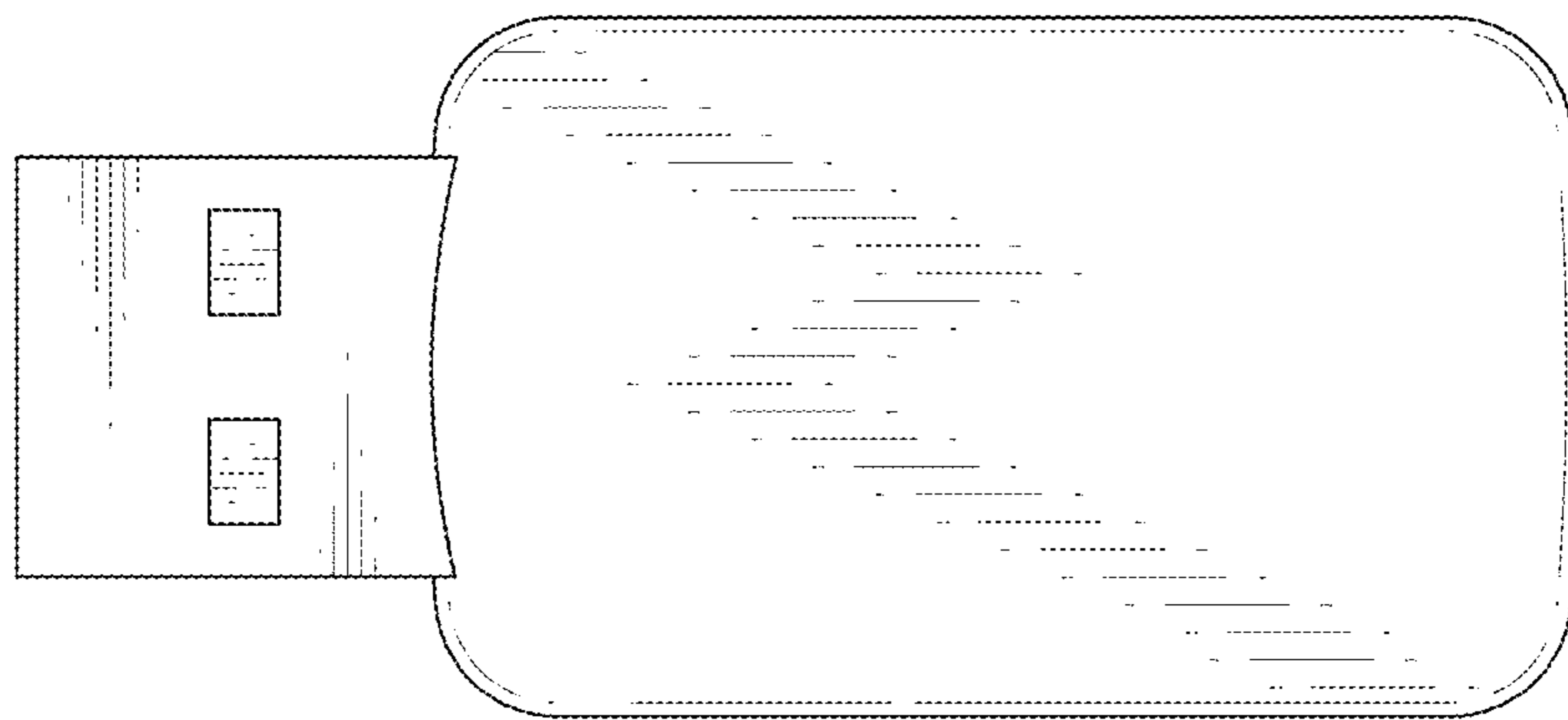


FIG. 5

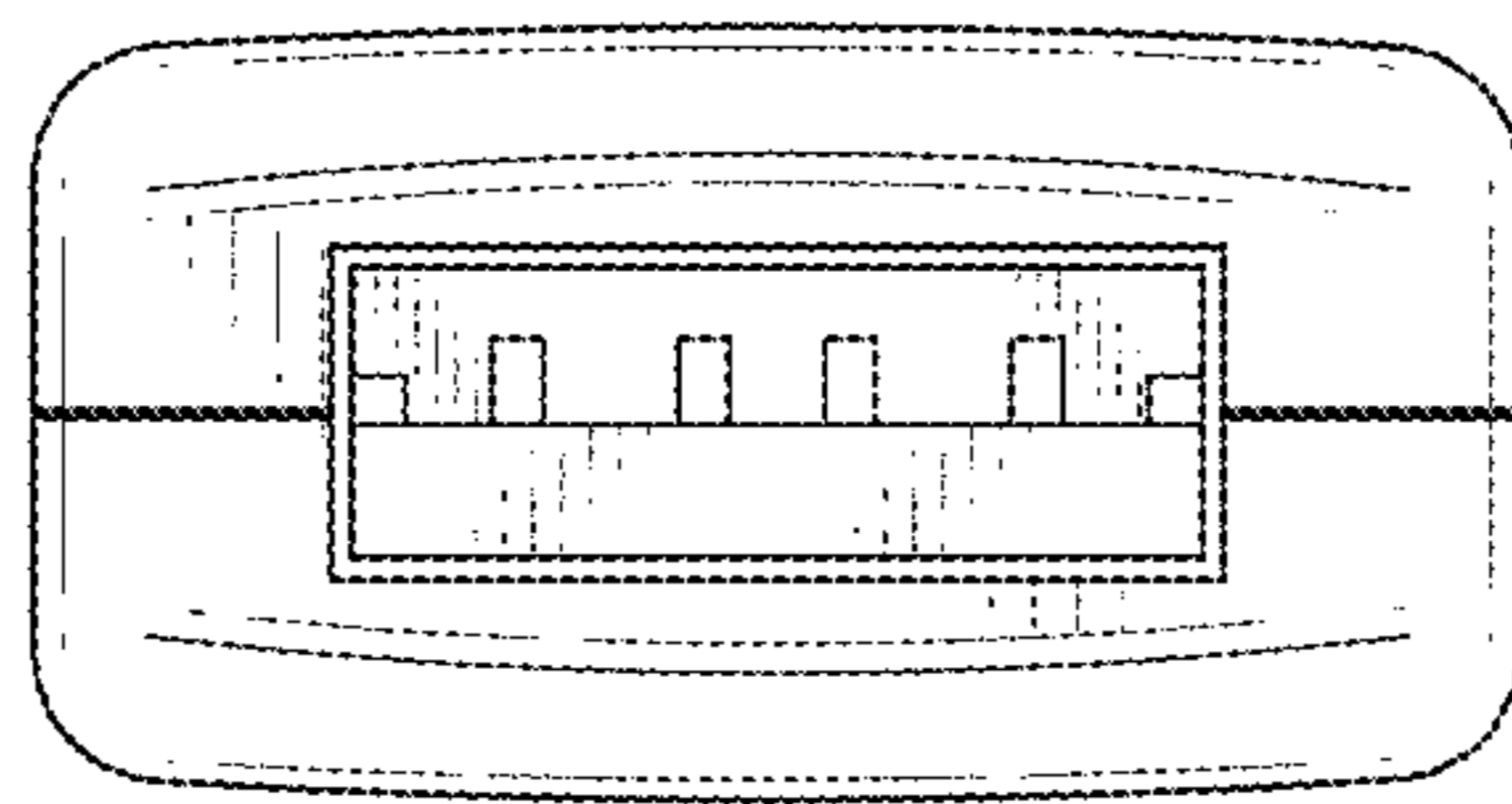


FIG. 6

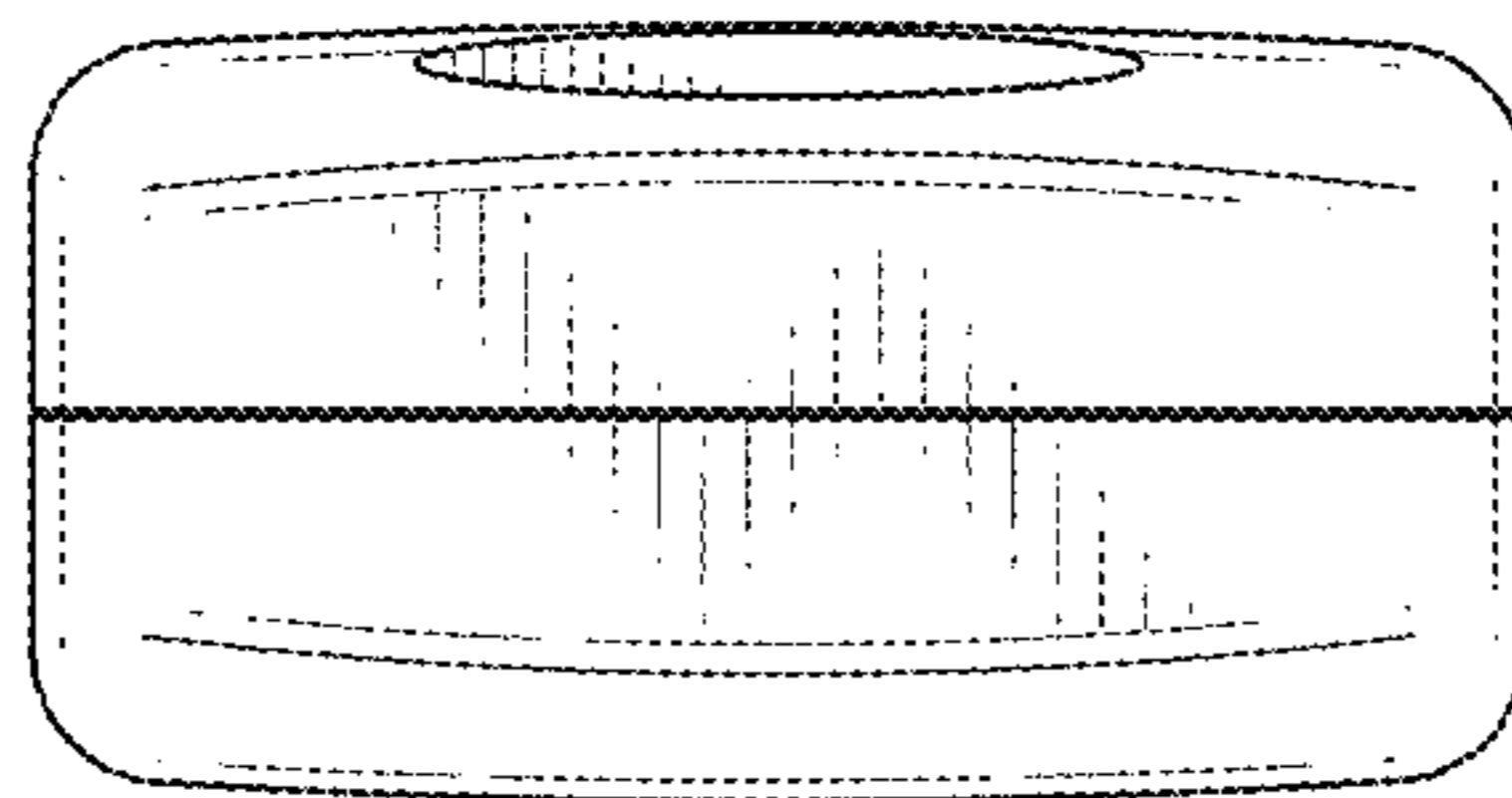


FIG. 7

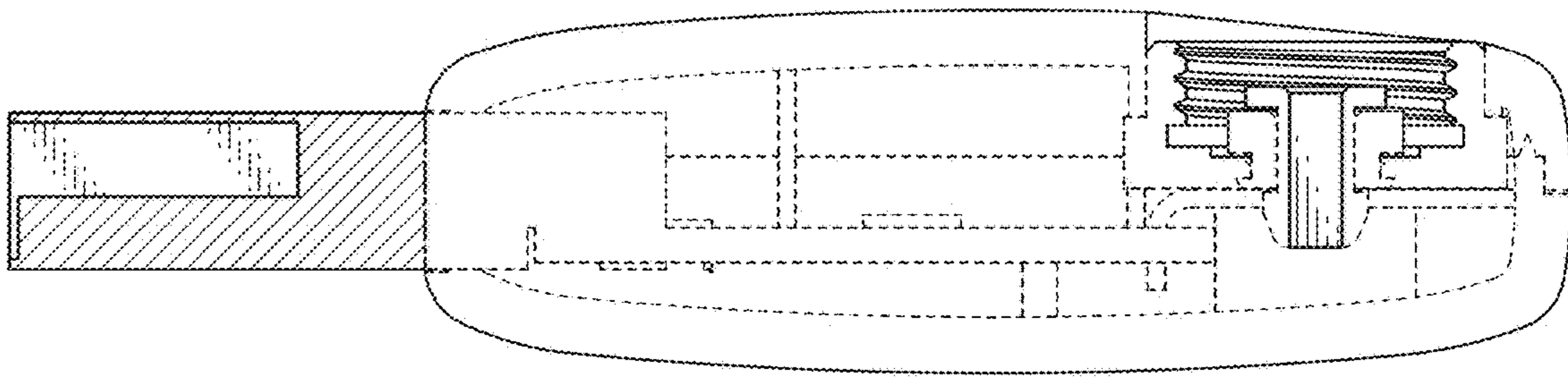


FIG. 8

