



US00D816024S

(12) **United States Design Patent**
Yang et al.

(10) **Patent No.:** **US D816,024 S**

(45) **Date of Patent:** **** Apr. 24, 2018**

(54) **CHARGER**

(71) Applicant: **Ningbo Gude Electronic Technology Co., Ltd**, Ningbo, Zhejiang (CN)

(72) Inventors: **Zhaolin Yang**, Zhejiang (CN); **Jianrong Zhou**, Zhejiang (CN); **Jun Wang**, Zhejiang (CN); **Shilin Wang**, Zhejiang (CN); **Rongjiang Wang**, Zhejiang (CN)

(73) Assignee: **Ningbo Gude Electronic Technology Co., Ltd**, Ningbo (CN)

(**) Term: **15 Years**

(21) Appl. No.: **29/601,196**

(22) Filed: **Apr. 20, 2017**

(30) **Foreign Application Priority Data**

Jan. 24, 2017 (CN) 2017 3 0029104

(51) **LOC (11) Cl.** **13-02**

(52) **U.S. Cl.**
USPC **D13/107**

(58) **Field of Classification Search**
USPC D13/107, 108, 109, 110, 118, 119, 184, D13/103; D14/251, 253, 432, 434, 224, D14/209.01, 216, 217
CPC Y02E 60/12; Y02T 90/14; Y02T 90/122; Y02T 90/128; Y02T 90/163; H02J 7/025; H02J 7/0042; H02J 7/0044; H02J 7/0045; H02J 7/0003; H02J 2001/008; H02J 3/32; H02J 3/008; H02J 7/0027; H02J 7/0013; H02J 7/0054; H02J 7/00; H01F 38/14; H01R 13/6675; H01M 2/1022; H01M 2/1055; H01M 10/44; H01M 10/46; H01M 10/425; B60L 11/182; B60L 11/1809; B60L 11/1861; B60R 16/03

See application file for complete search history.

(56) **References Cited**

U.S. PATENT DOCUMENTS

D654,854 S *	2/2012	Inskeep	D13/107
D681,550 S *	5/2013	Corbin	D13/103
D694,180 S *	11/2013	Inskeep	D13/107
D742,822 S *	11/2015	Ju	D13/103
D743,332 S *	11/2015	Ju	D13/103
D745,455 S *	12/2015	Nook	D13/103
D746,770 S *	1/2016	Nook	D13/103
D786,192 S *	5/2017	Liu	D13/107
D788,032 S *	5/2017	Yang	D13/107
D793,955 S *	8/2017	Yang	D13/107
D803,151 S *	11/2017	Zhou	D13/107

* cited by examiner

Primary Examiner — Rosemary K Tarcza

Assistant Examiner — Christy Nemeth

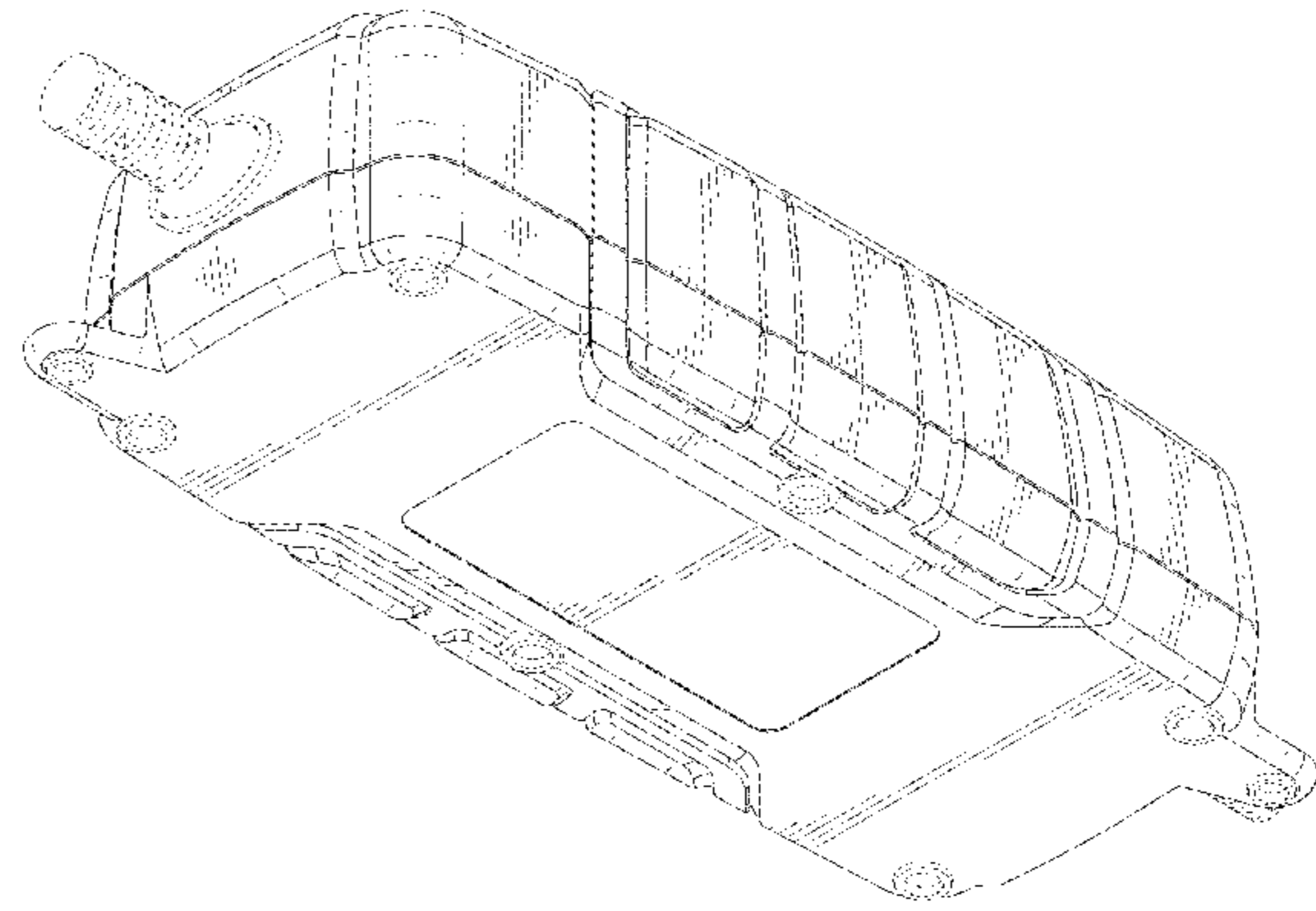
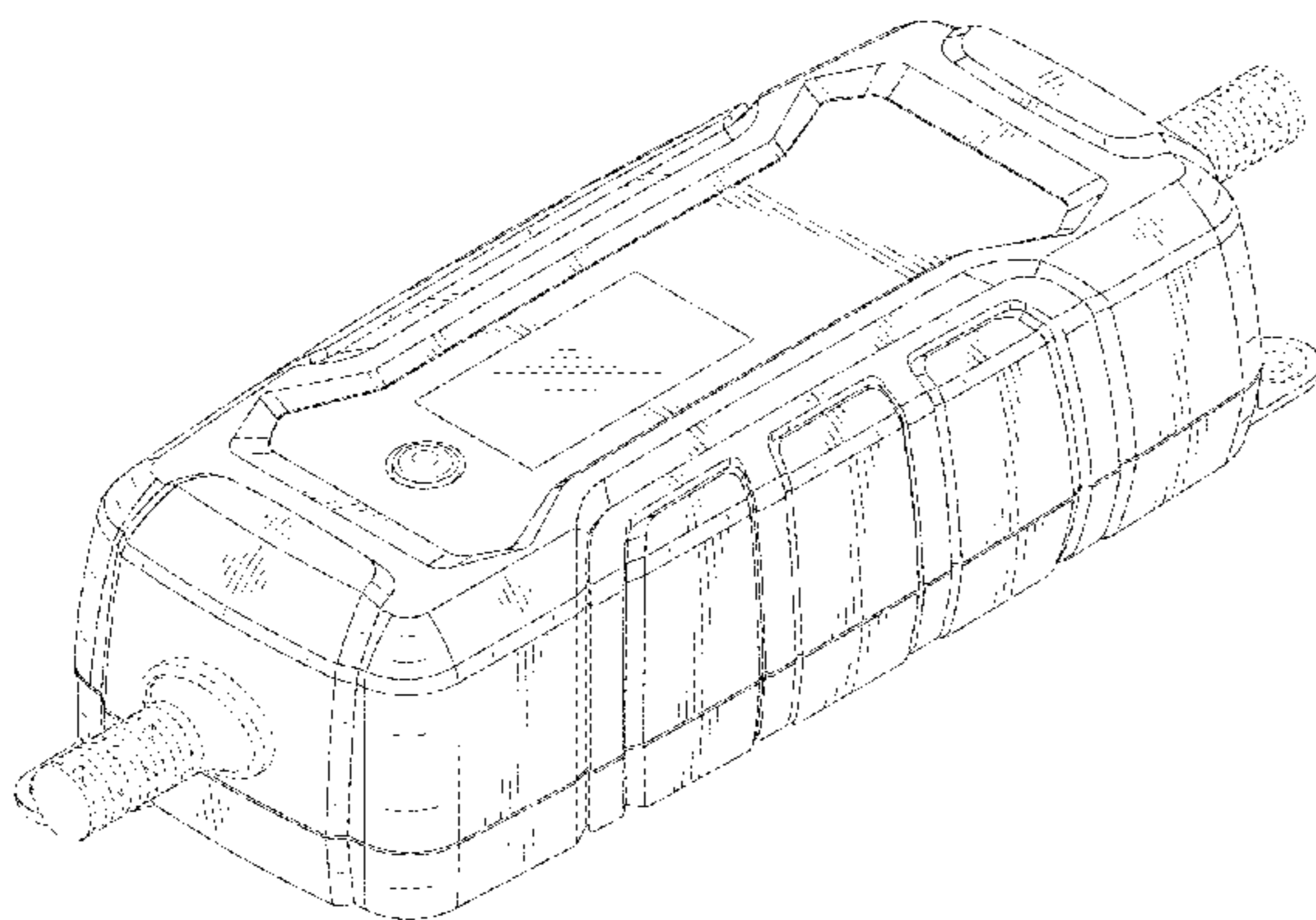
(57) **CLAIM**

The ornamental design for a charger, as shown and described.

DESCRIPTION

FIG. 1 is a front elevational view of a charger showing our new design;
FIG. 2 is a rear elevational view thereof;
FIG. 3 is a left side view thereof;
FIG. 4 is a right side view thereof;
FIG. 5 is a top plan view thereof;
FIG. 6 is a bottom plan view thereof;
FIG. 7 is a front perspective view thereof;
FIG. 8 is another front perspective view thereof; and,
FIG. 9 is a rear perspective view thereof.
The broken lines in the drawings illustrate portions of the charger which form no part of the claimed design. The oblique shade lines in the drawings represent reflective surfaces.

1 Claim, 9 Drawing Sheets



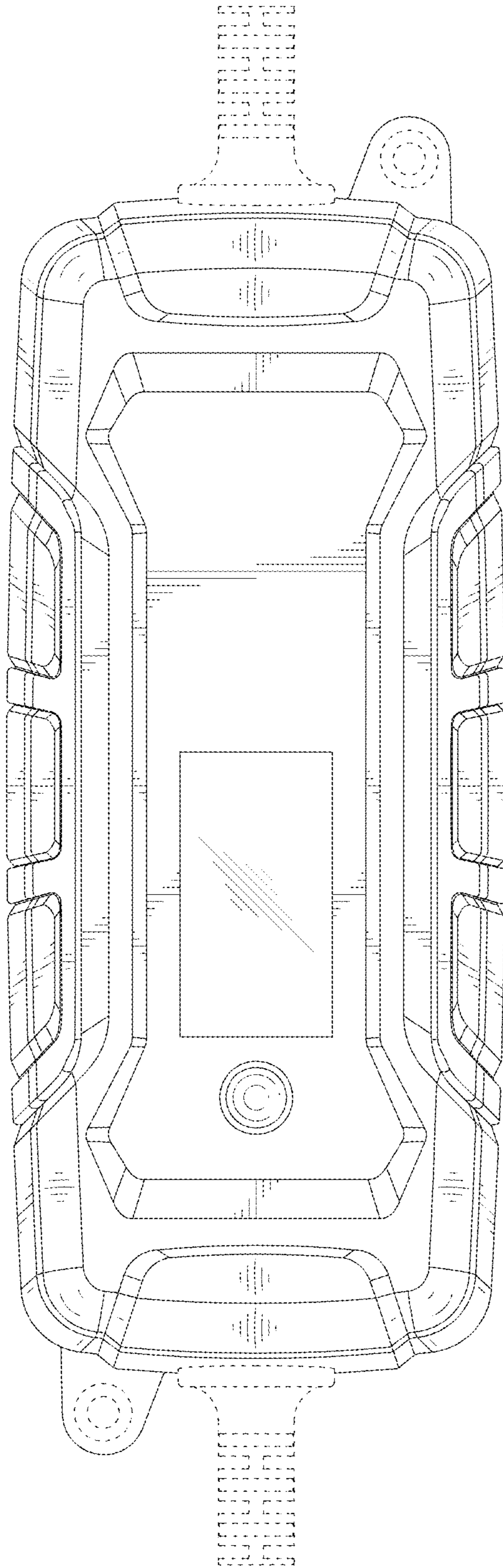


Fig. 1

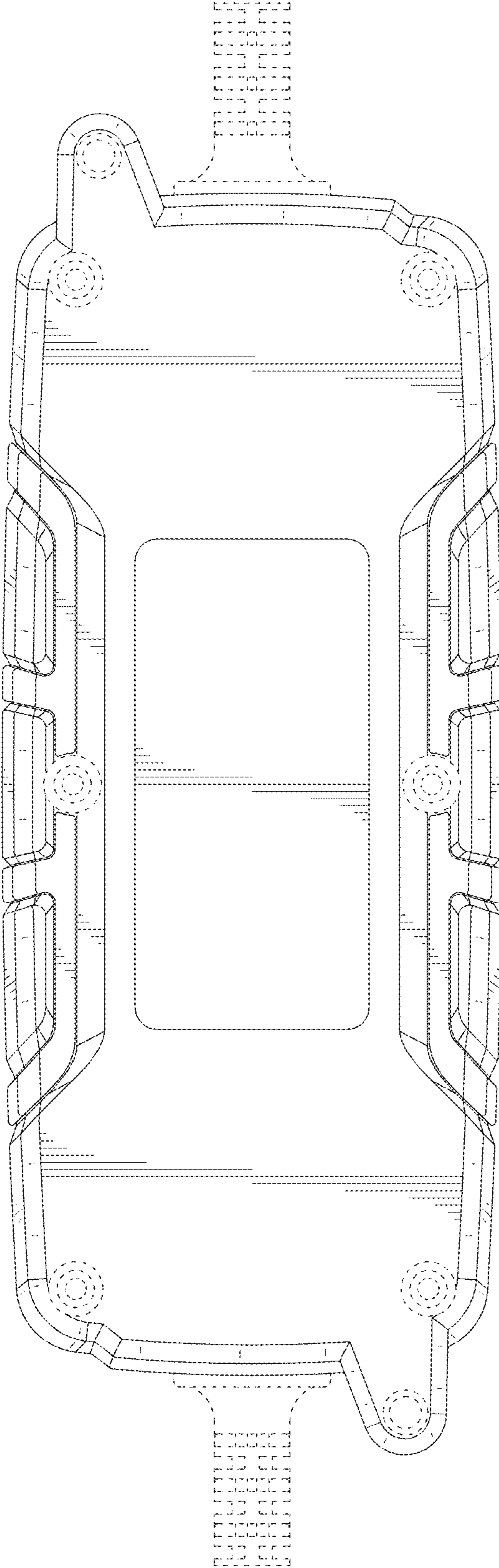


Fig. 2

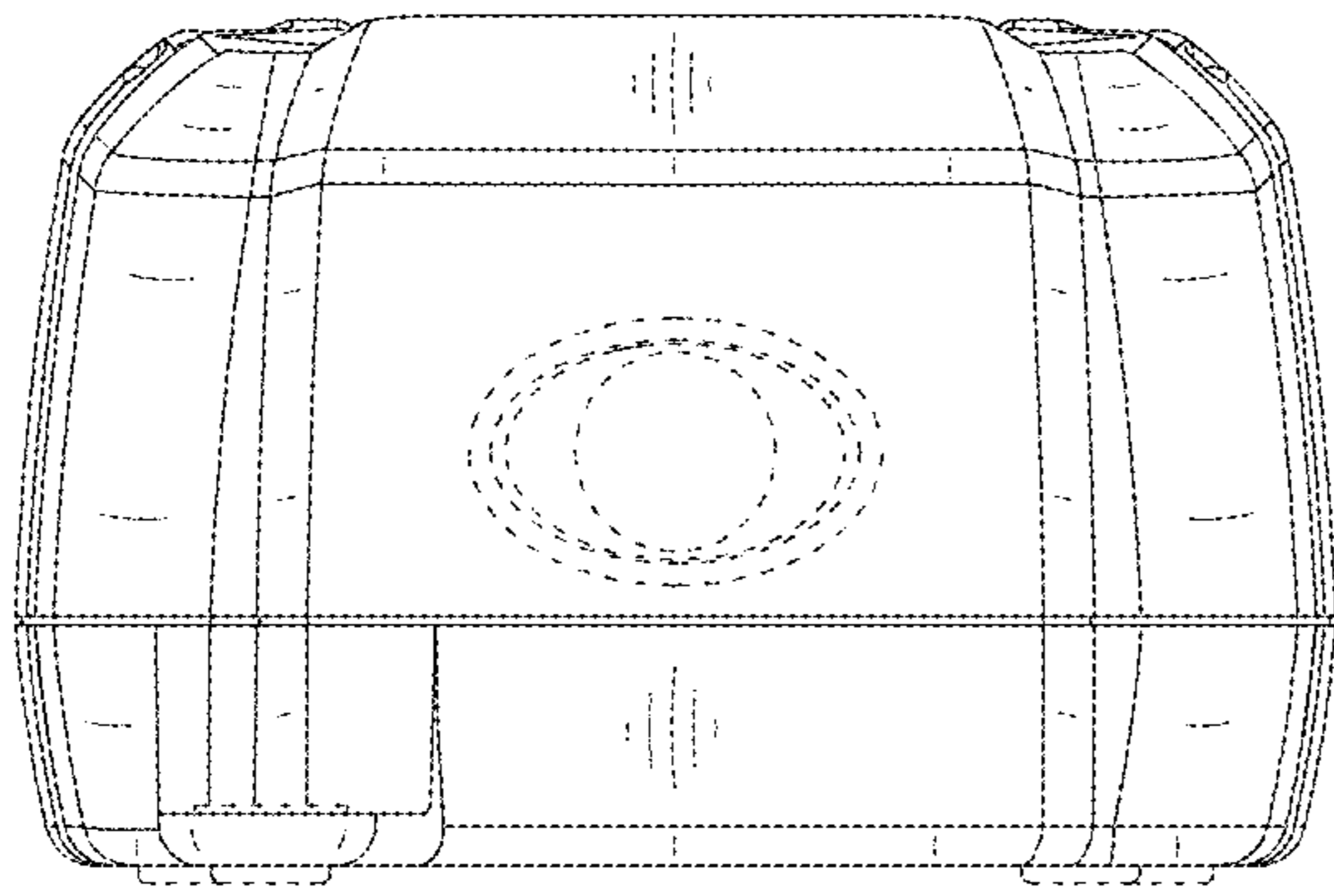


Fig. 3

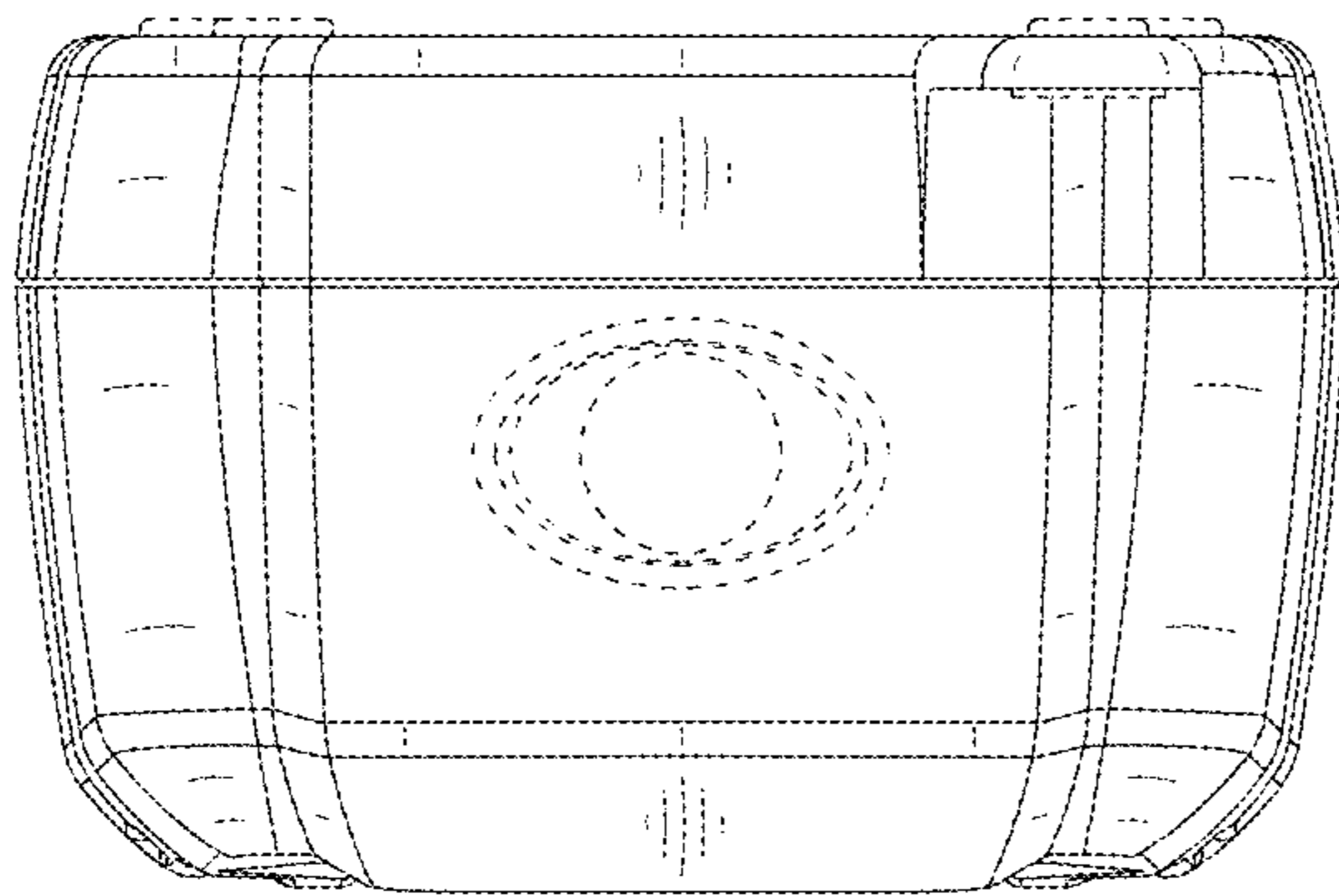


Fig. 4

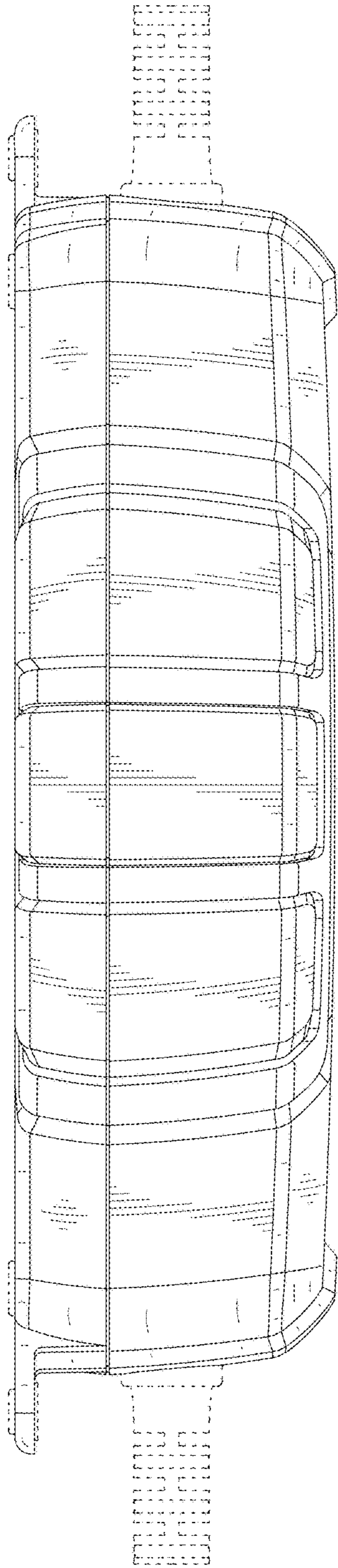


Fig. 5

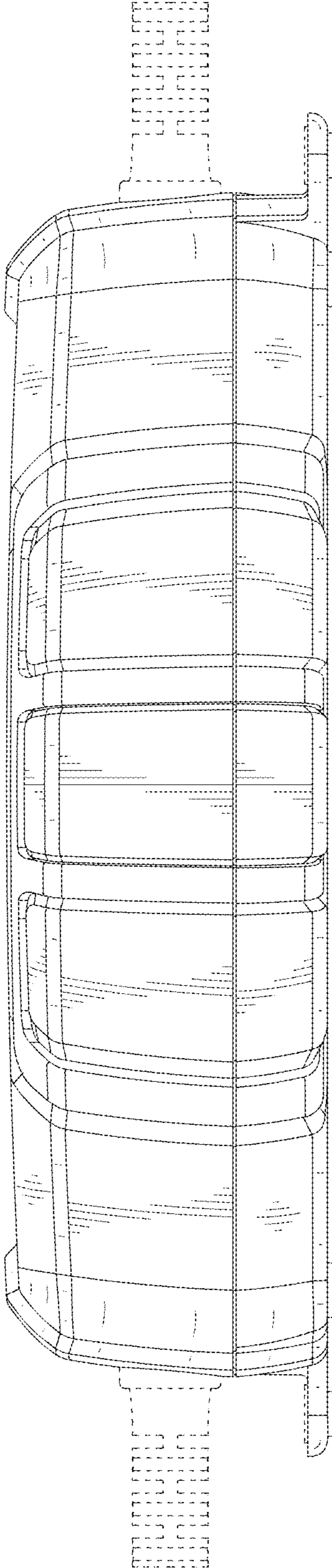


Fig. 6

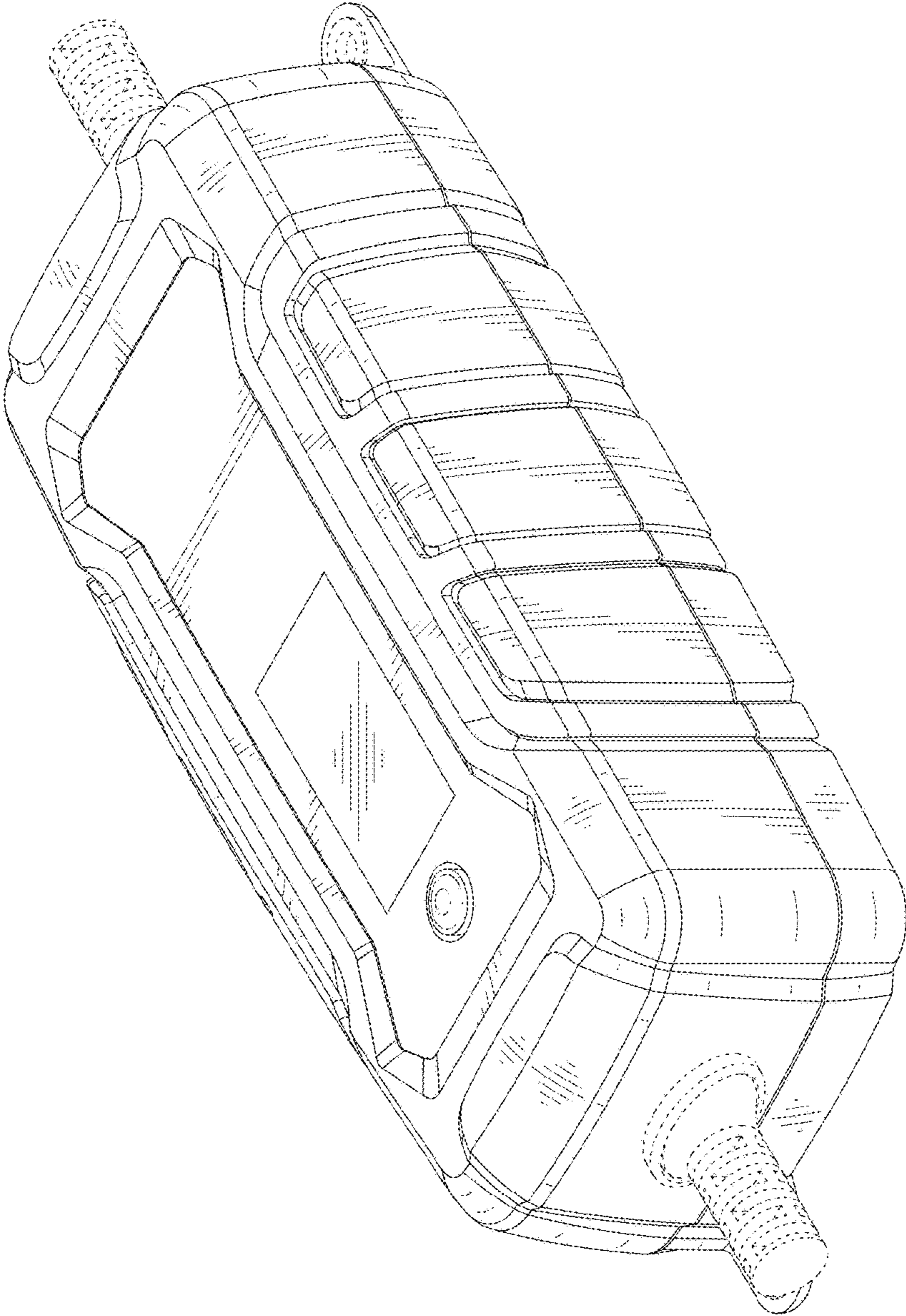


Fig. 7

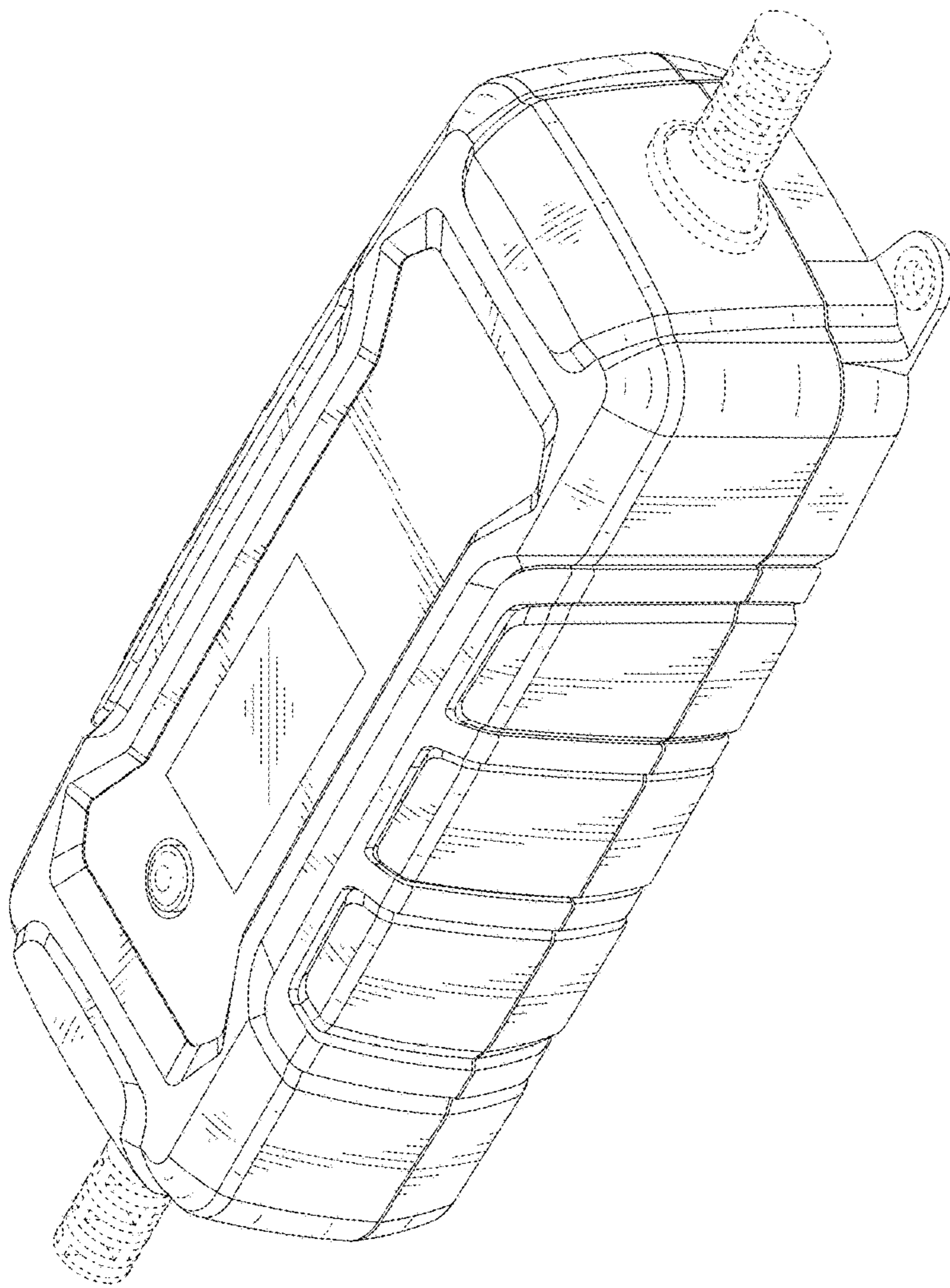


Fig. 8

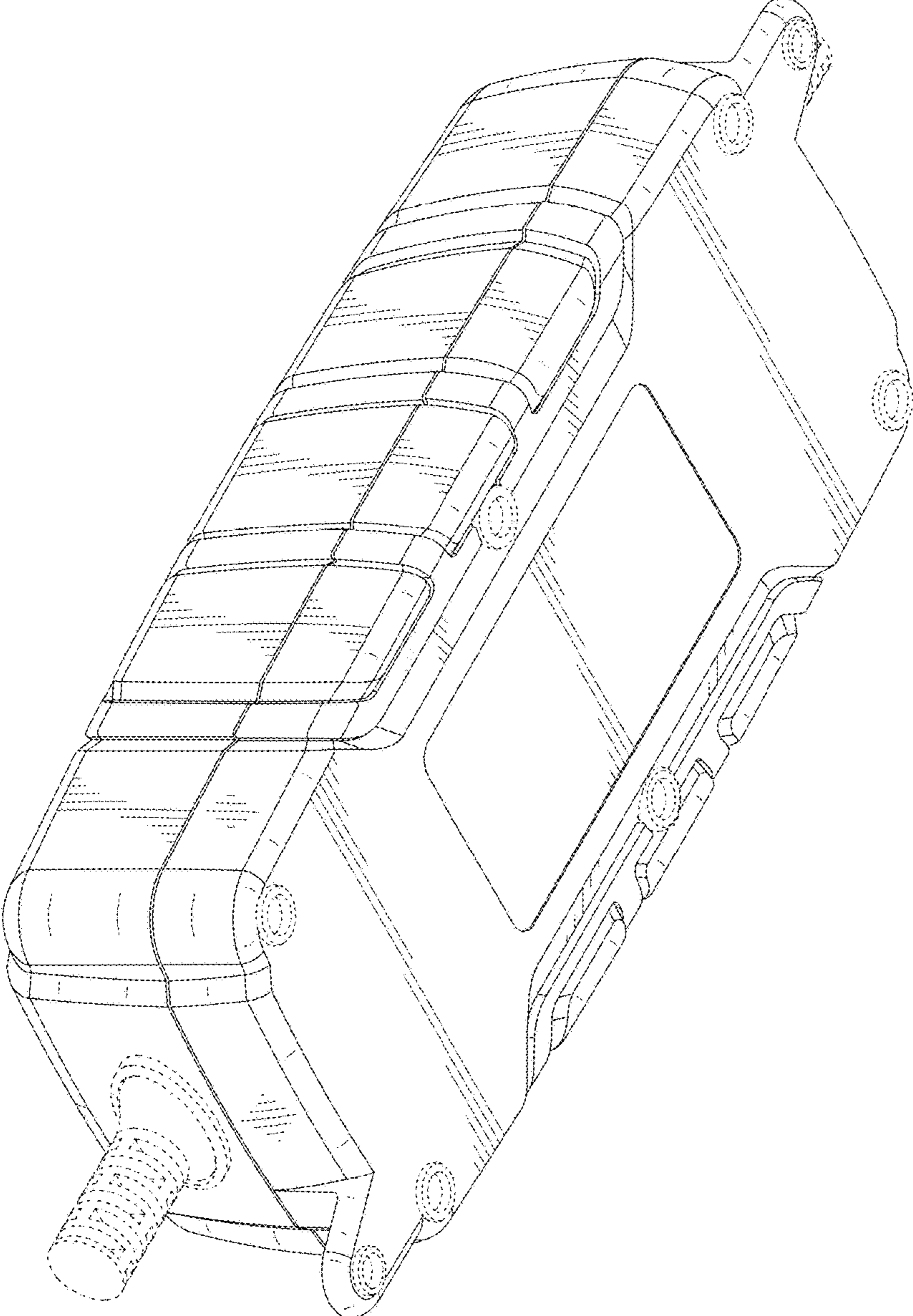


Fig. 9