



US00D816023S

(12) **United States Design Patent** (10) **Patent No.:** **US D816,023 S**
Price (45) **Date of Patent:** **** Apr. 24, 2018**

(54) **BATTERY CHARGER**
(71) Applicant: **DURACELL U.S. OPERATIONS, INC.**, Wilmington, DE (US)
(72) Inventor: **Eric Justin Price**, Lafayette, CA (US)
(73) Assignee: **DURACELL U.S. OPERATIONS, INC.**, Wilmington, DE (US)
(**) Term: **15 Years**
(21) Appl. No.: **29/580,775**
(22) Filed: **Oct. 12, 2016**
(51) **LOC (11) Cl.** **13-02**
(52) **U.S. Cl.**
USPC **D13/107**
(58) **Field of Classification Search**
USPC D13/102–106, 110, 118–119, 184, 107,
D13/108; D14/251, 253, 432, 434
CPC Y02E 60/12; Y02E 60/122; Y02E 60/124;
Y02E 60/50; H01M 2/02; H01M 2/022;
H01M 2/0202; H01M 2/0207; H01M
2/0212; H01M 2/1061; H01M 2/1022;
H01M 2/1055; H01M 2/1066; H01M
2/105; H01M 2/204; H01M 10/4257;
H01M 10/0436; H01M 10/48
See application file for complete search history.

8,643,325 B2 * 2/2014 Yang H02J 7/0024
320/107
2002/0063550 A1 * 5/2002 Chen H02J 7/0013
320/110
2004/0130289 A1 * 7/2004 Lam H02J 7/0013
320/107
2011/0148357 A1 * 6/2011 Lu H02J 7/0045
320/111

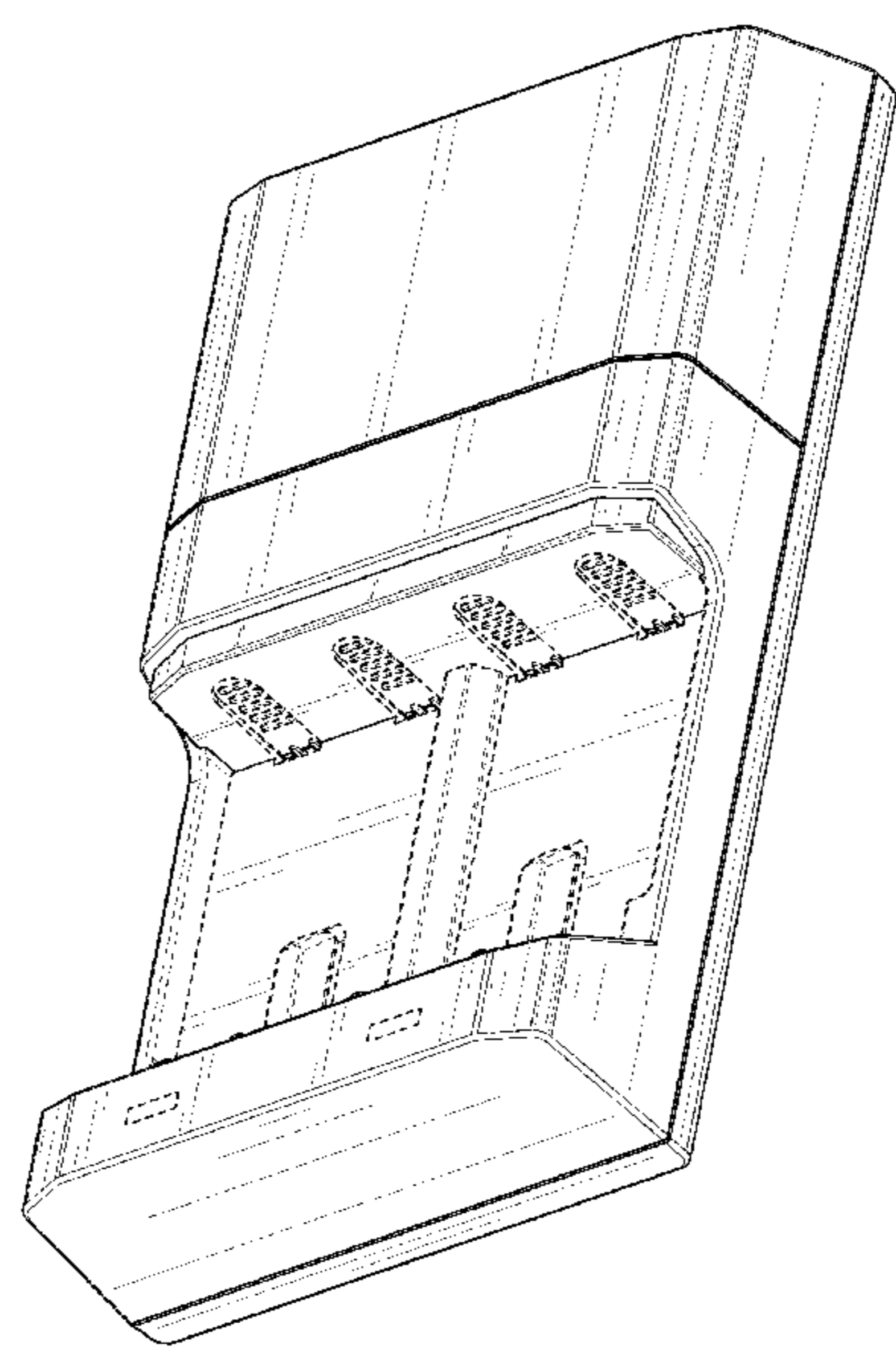
* cited by examiner
Primary Examiner — Robert M. Spear
Assistant Examiner — Alison M Ofstun
(74) *Attorney, Agent, or Firm* — Marshall, Gerstein & Borun LLP

(57) **CLAIM**
The ornamental design for a battery charger, as shown and described.

DESCRIPTION
FIG. 1 is a front perspective view of a battery charger;
FIG. 2 is a rear perspective view of the battery charger illustrated in FIG. 1;
FIG. 3 is a front view of the battery charger illustrated in FIG. 1;
FIG. 4 is a rear view of the battery charger illustrated in FIG. 1;
FIG. 5 is right side view of the battery charger illustrated in FIG. 1;
FIG. 6 is a left side view of the battery charger illustrated in FIG. 1;
FIG. 7 is a top view of the battery charger illustrated in FIG. 1; and,
FIG. 8 is a bottom view of the battery charger illustrated in FIG. 1.
The broken lines shown in the drawings are included for the purpose of illustrating environmental structure and form no part of the claimed design.

(56) **References Cited**
U.S. PATENT DOCUMENTS
D465,452 S * 11/2002 Lie D13/107
D515,501 S * 2/2006 Kawasaki D13/107
D571,722 S * 6/2008 Kang D13/107
D573,088 S * 7/2008 Castellucci D13/107
D599,287 S * 9/2009 Kingston D13/107
D623,130 S * 9/2010 Kawakami D13/107
D676,806 S * 2/2013 Baker D13/107
D687,770 S * 8/2013 Rabalais D13/107
D687,771 S * 8/2013 Rabalais D13/107

1 Claim, 7 Drawing Sheets



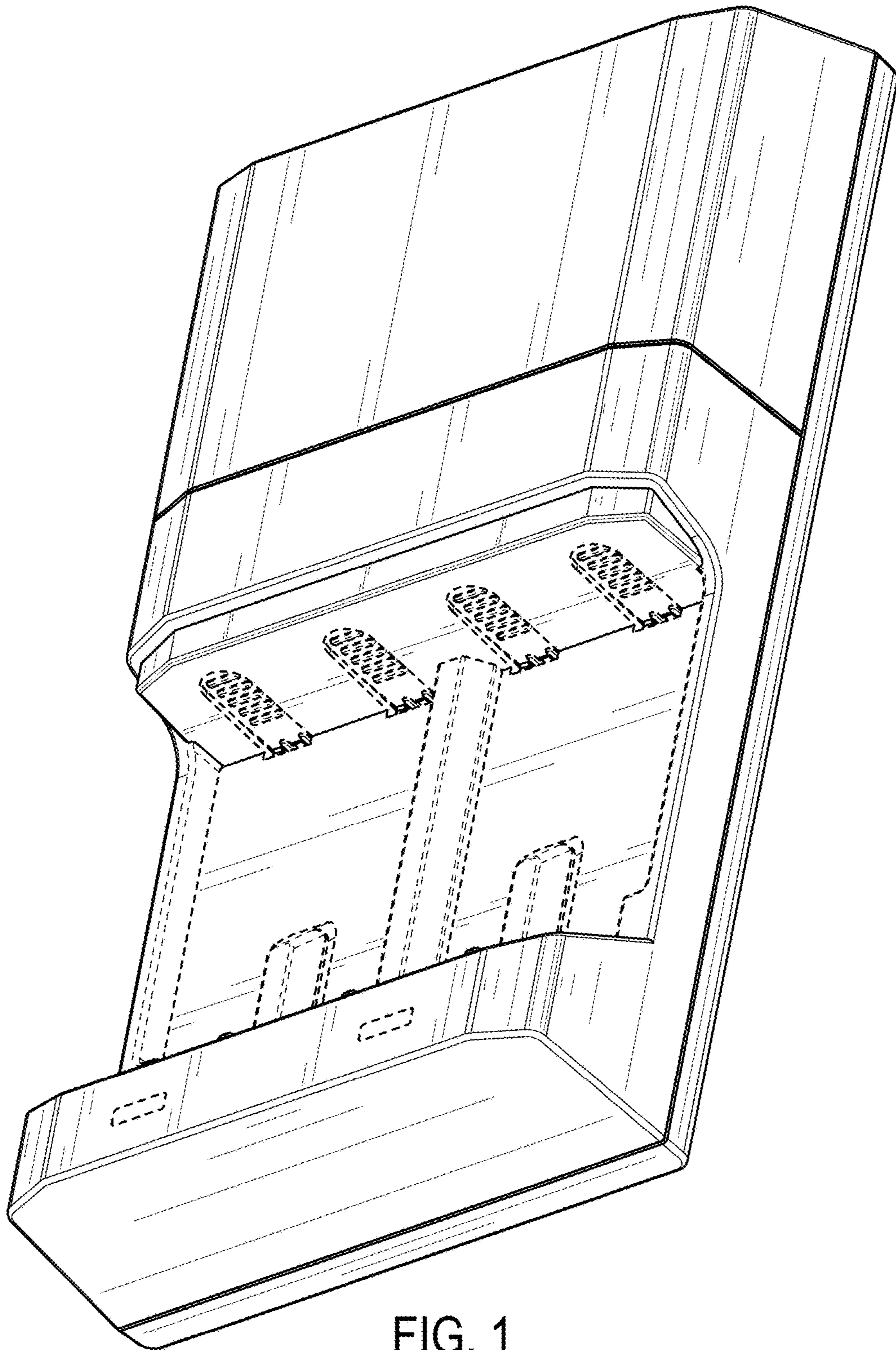


FIG. 1

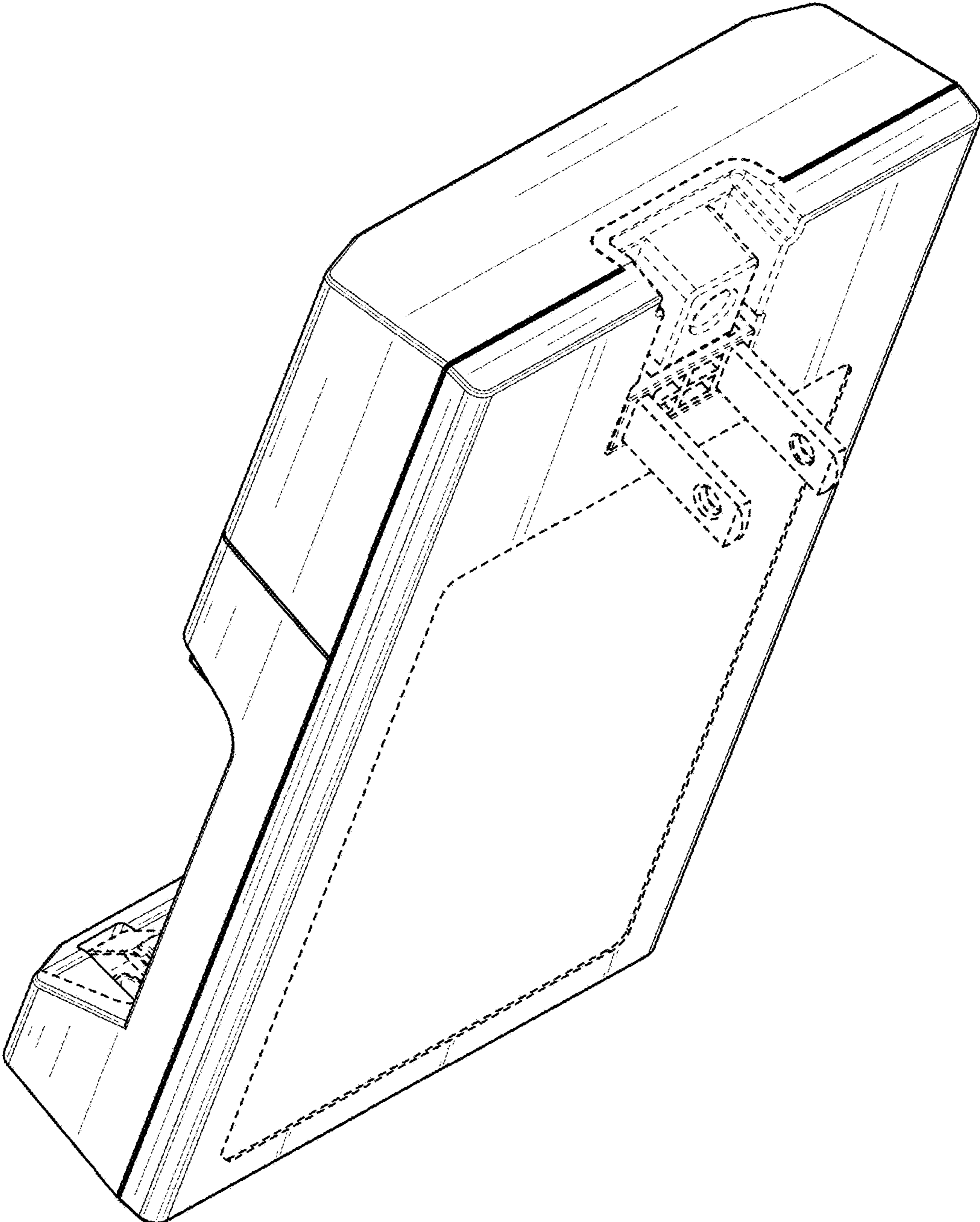


FIG. 2

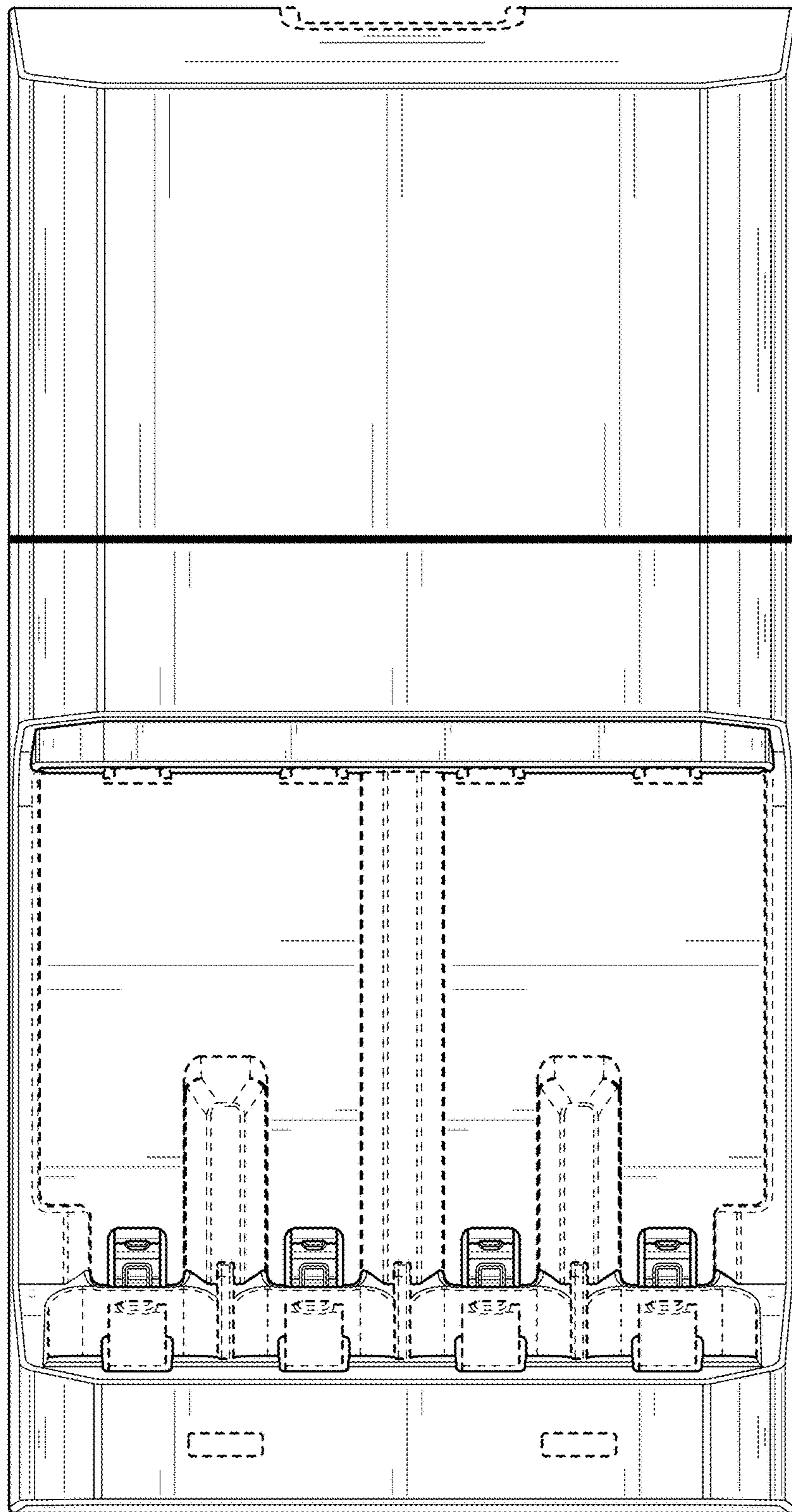


FIG. 3

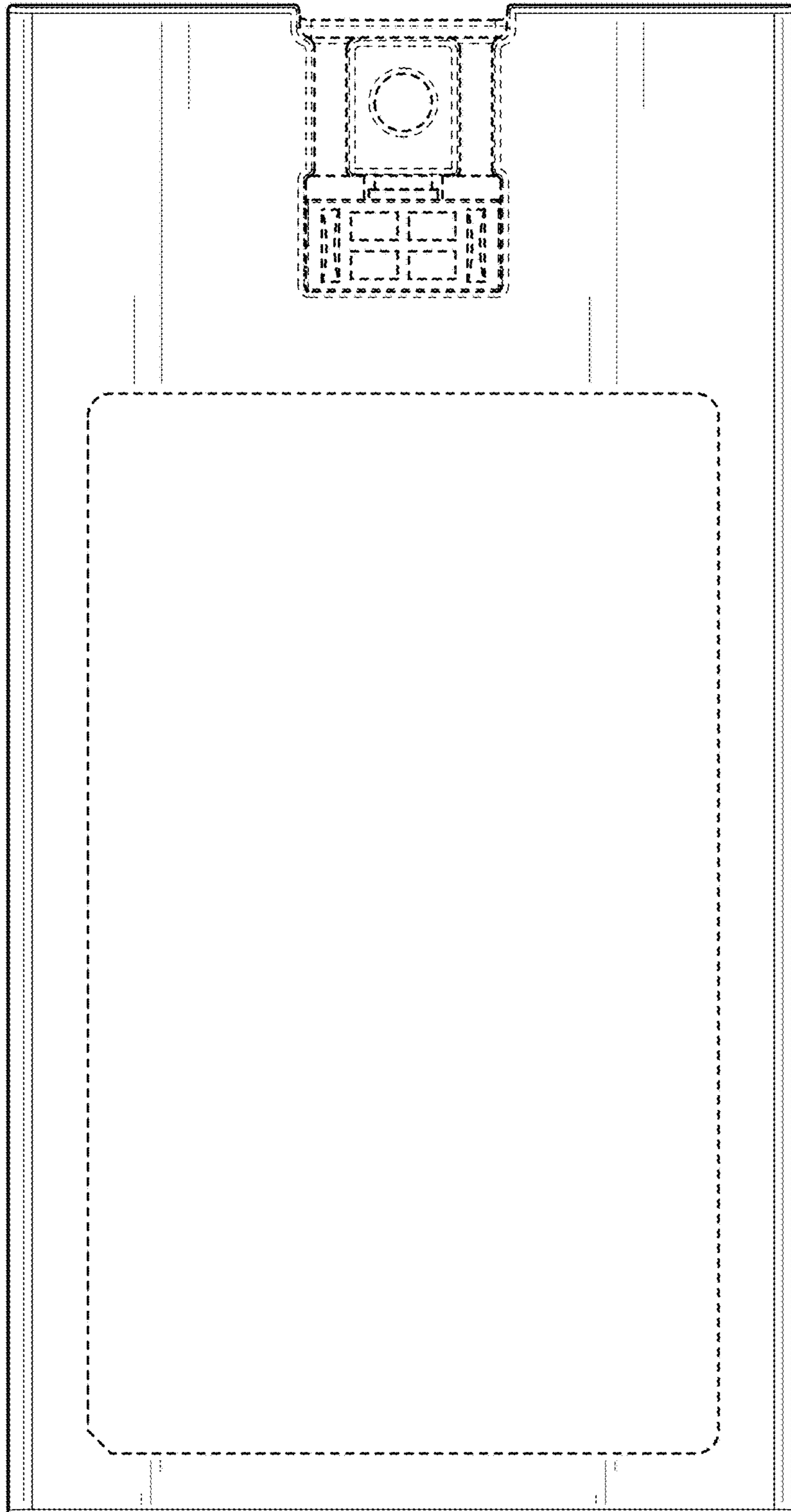


FIG. 4

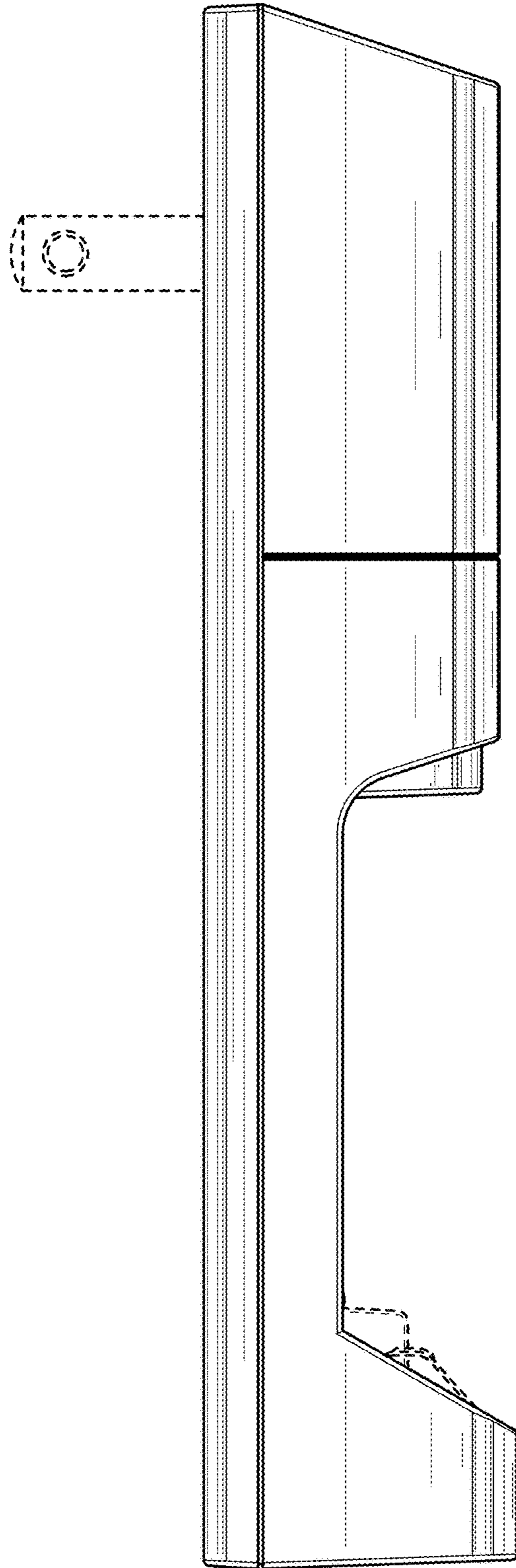


FIG. 5

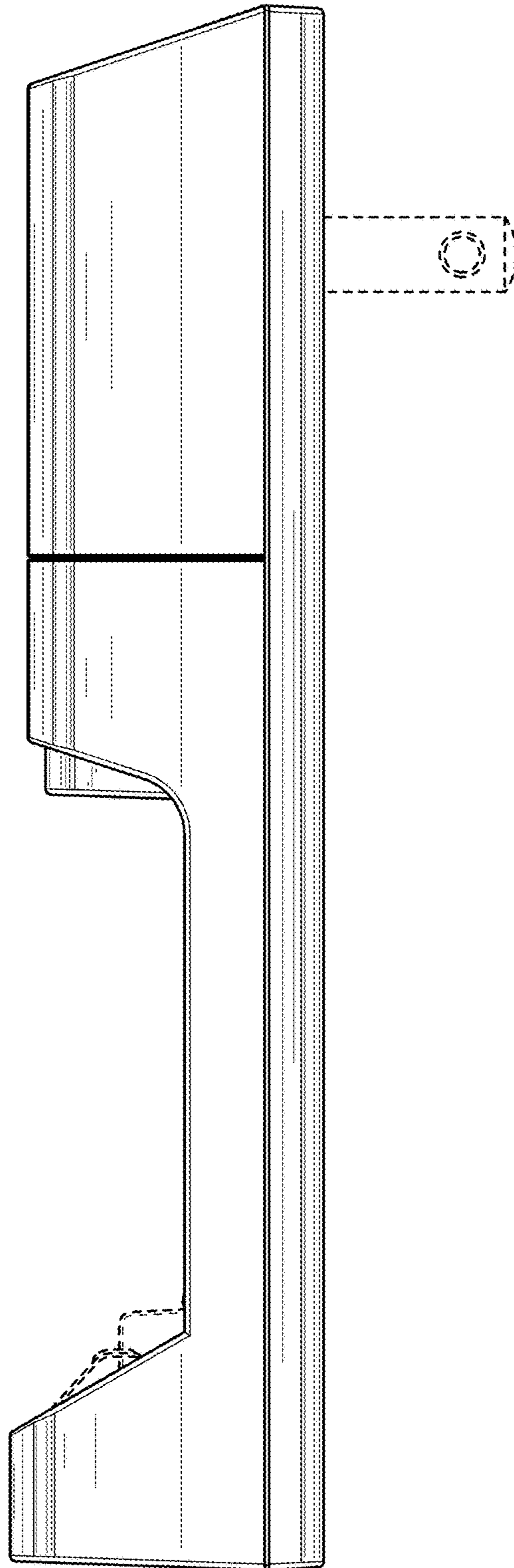


FIG. 6

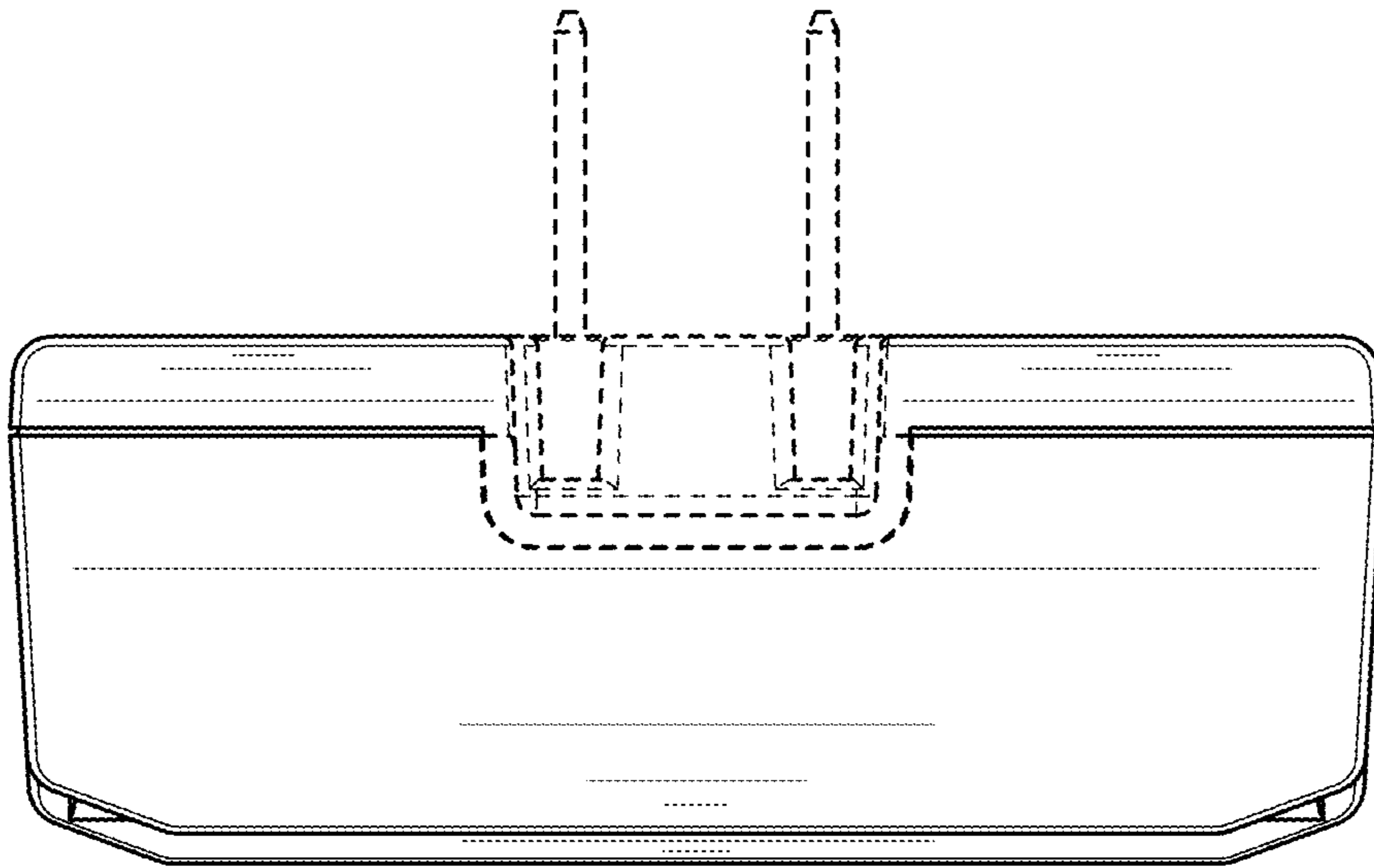


FIG. 7

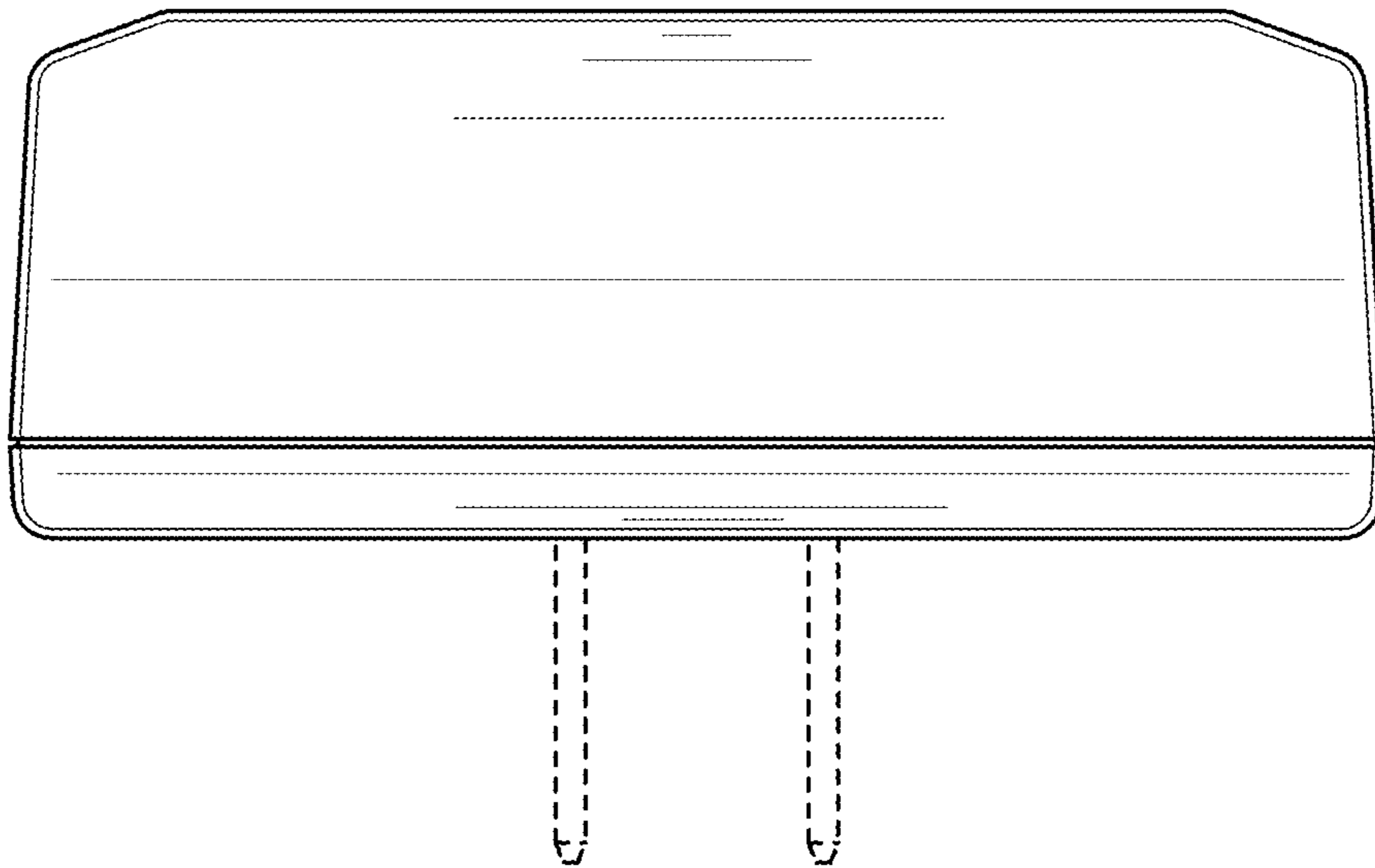


FIG. 8