



US00D816022S

(12) **United States Design Patent** (10) **Patent No.:** **US D816,022 S**  
**Hino et al.** (45) **Date of Patent:** **\*\* Apr. 24, 2018**

(54) **BATTERY BOX**

(71) Applicant: **mitsui chemicals, inc.**, Tokyo (JP)

(72) Inventors: **Masayoshi Hino**, Saijo (JP); **Ryuki Kan**, Nagoya (JP)

(73) Assignee: **Mitsui Chemicals, Inc.**, Tokyo (JP)

(\*\*) Term: **15 Years**

(21) Appl. No.: **35/502,130**

(22) Filed: **Jun. 21, 2016**

(80) **Hague Agreement Data**

Int. Filing Date: **Jun. 21, 2016**

Int. Reg. No.: **DM/091438**

Int. Reg. Date: **Jun. 21, 2016**

Int. Reg. Pub. Date: **Dec. 23, 2016**

(30) **Foreign Application Priority Data**

Jan. 19, 2017 (JP) ..... 2015-028558 U

(51) **LOC (11) Cl.** ..... **13-02**

(52) **U.S. Cl.**  
USPC ..... **D13/103**  
CPC ..... **H01M 2/30** (2013.01)

(58) **Field of Classification Search**

USPC ..... D13/102-104, 110, 118-121, 184, 199;  
429/96-100, 163, 176; 206/703-705,  
206/461-463, 471, 485, 485.1, 493

CPC ..... H01M 2/30; H01M 2/105

See application file for complete search history.

(56) **References Cited**

U.S. PATENT DOCUMENTS

D537,034 S *	2/2007	Kang	.....	D13/103
D588,058 S *	3/2009	Obata	.....	D13/103
D686,148 S *	7/2013	Inaba	.....	D13/103
D715,738 S *	10/2014	Salmon	.....	D13/119
D720,696 S *	1/2015	Huang	.....	D13/119
D762,168 S *	7/2016	Sandoval	.....	D13/107
D772,804 S *	11/2016	Nakashima	.....	D13/103

\* cited by examiner

*Primary Examiner* — Richard E Chilcot

(57) **CLAIM**

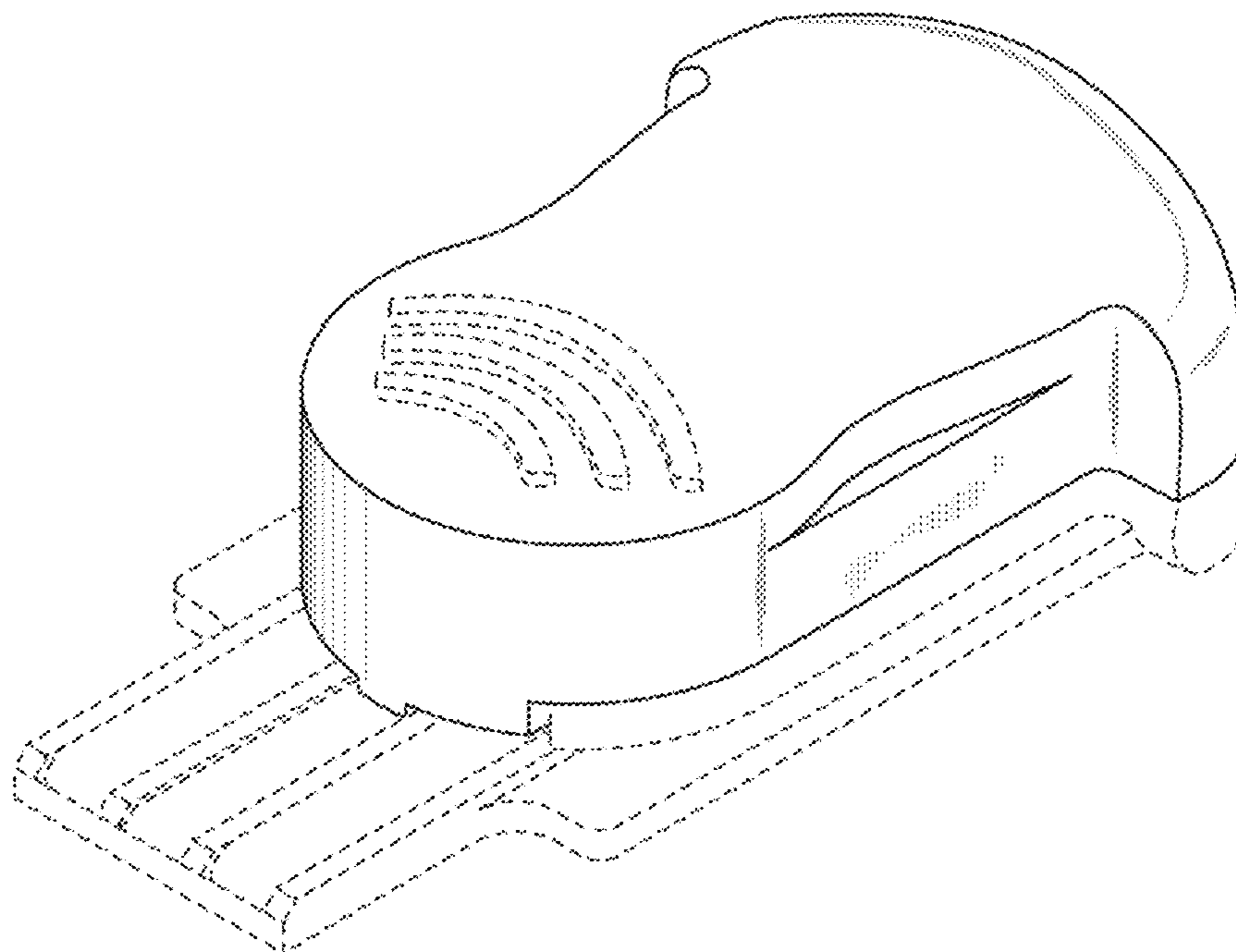
The ornamental design for a battery box, as shown and described.

**DESCRIPTION**

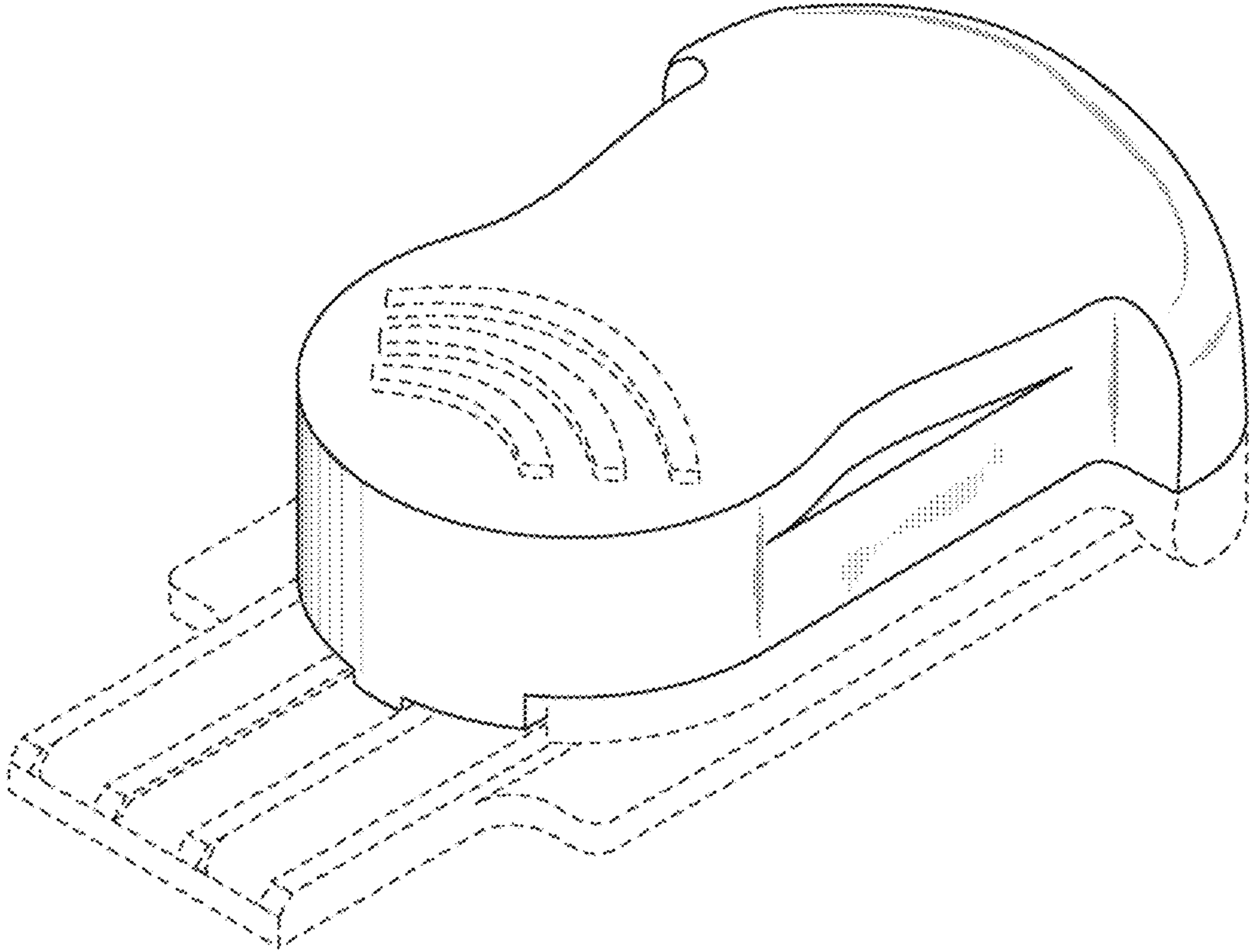
- 1. Battery box
- 1.1 : Perspective
- 1.2 : Perspective
- 1.3 : Front
- 1.4 : Back
- 1.5 : Top
- 1.6 : Bottom
- 1.7 : Right
- 1.8 : Left
- 1.9 : Reference view

The broken line disclosure does not form part of the claimed design; reference view 1.9 forms no part of the claimed design.

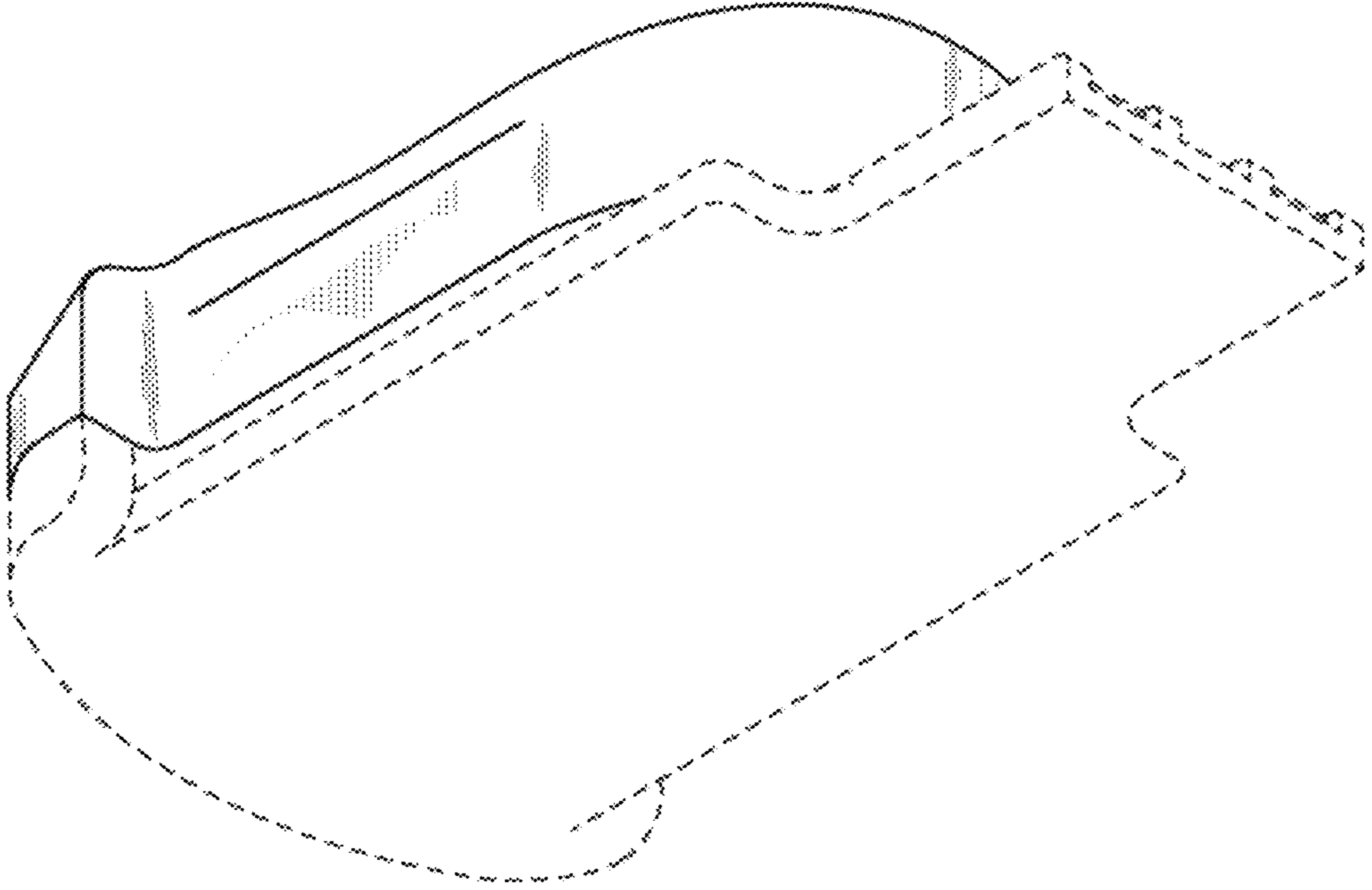
**1 Claim, 9 Drawing Sheets**



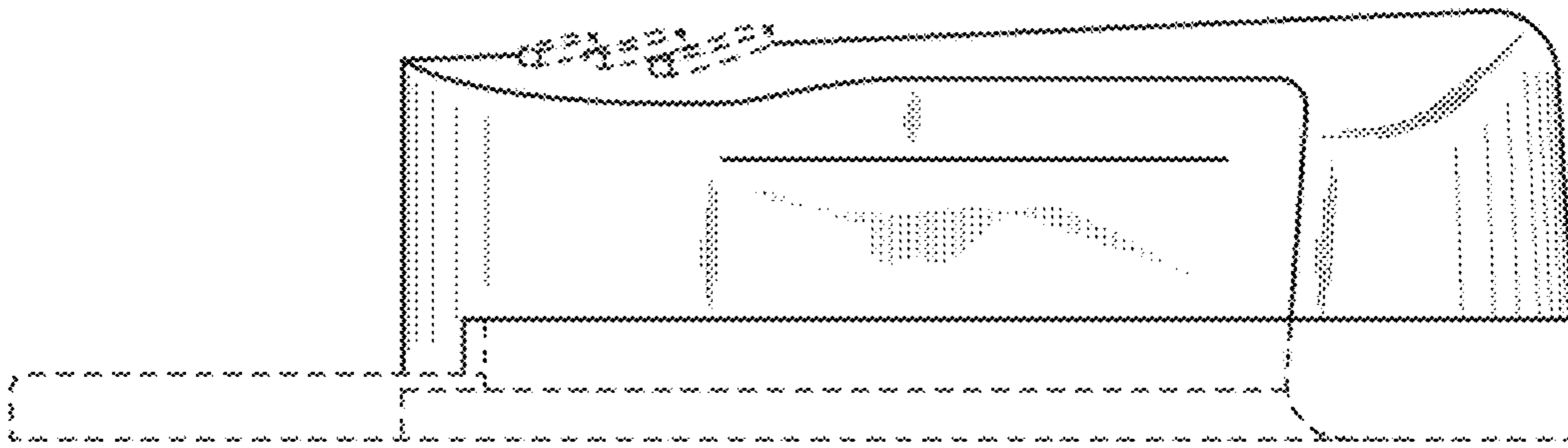
1.1



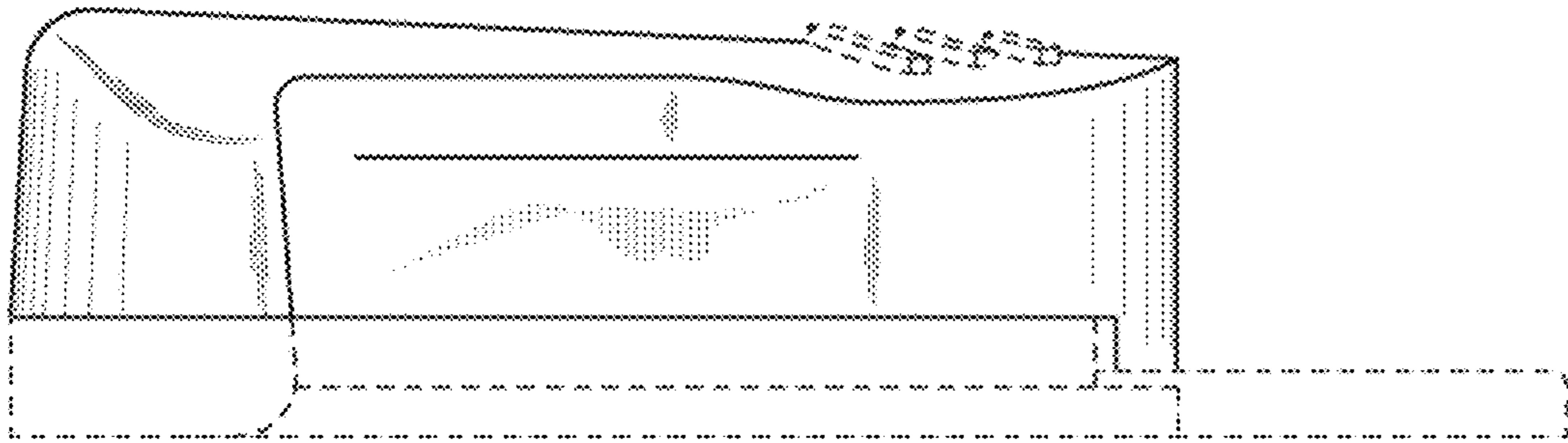
1.2



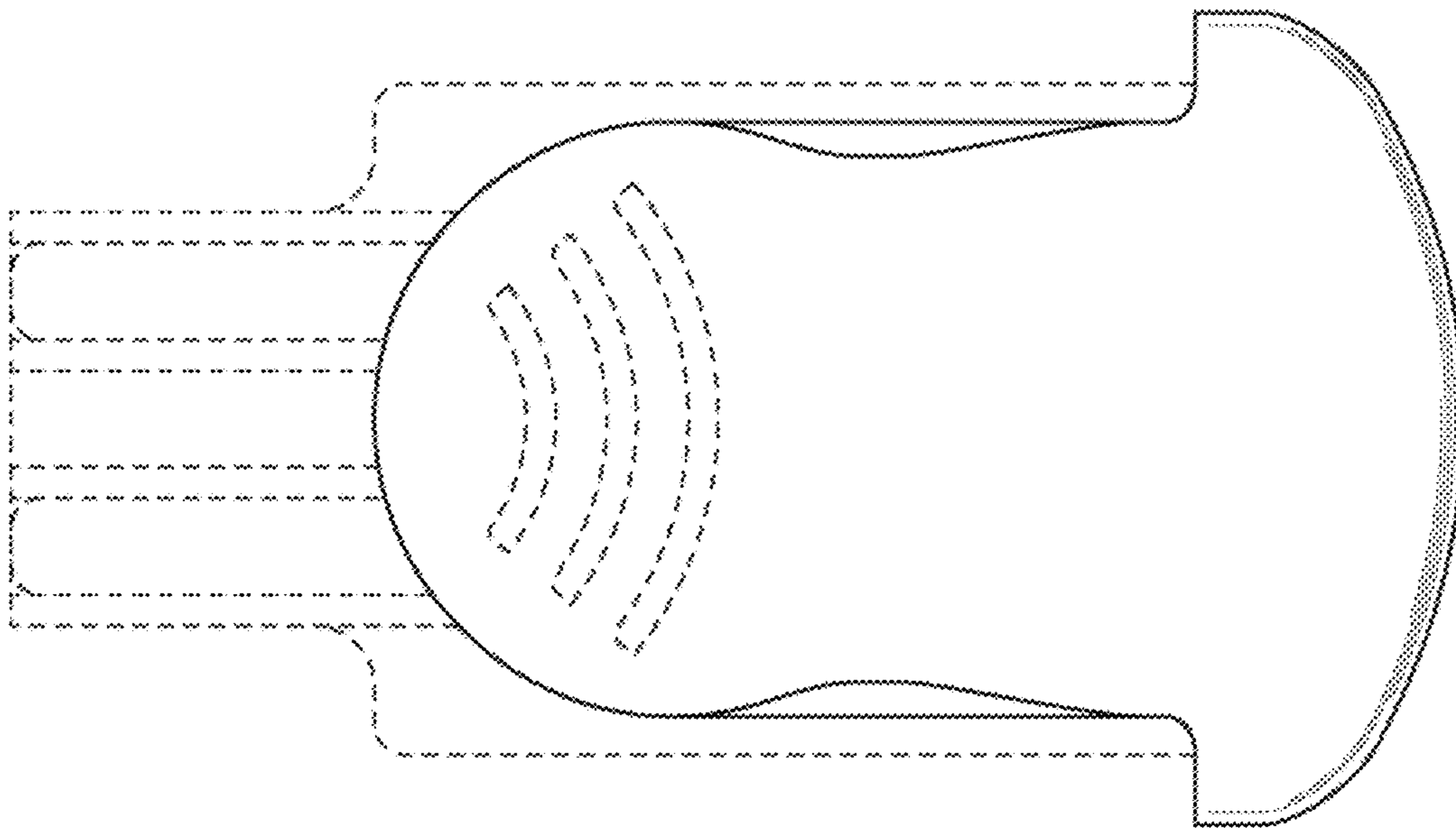
1.3



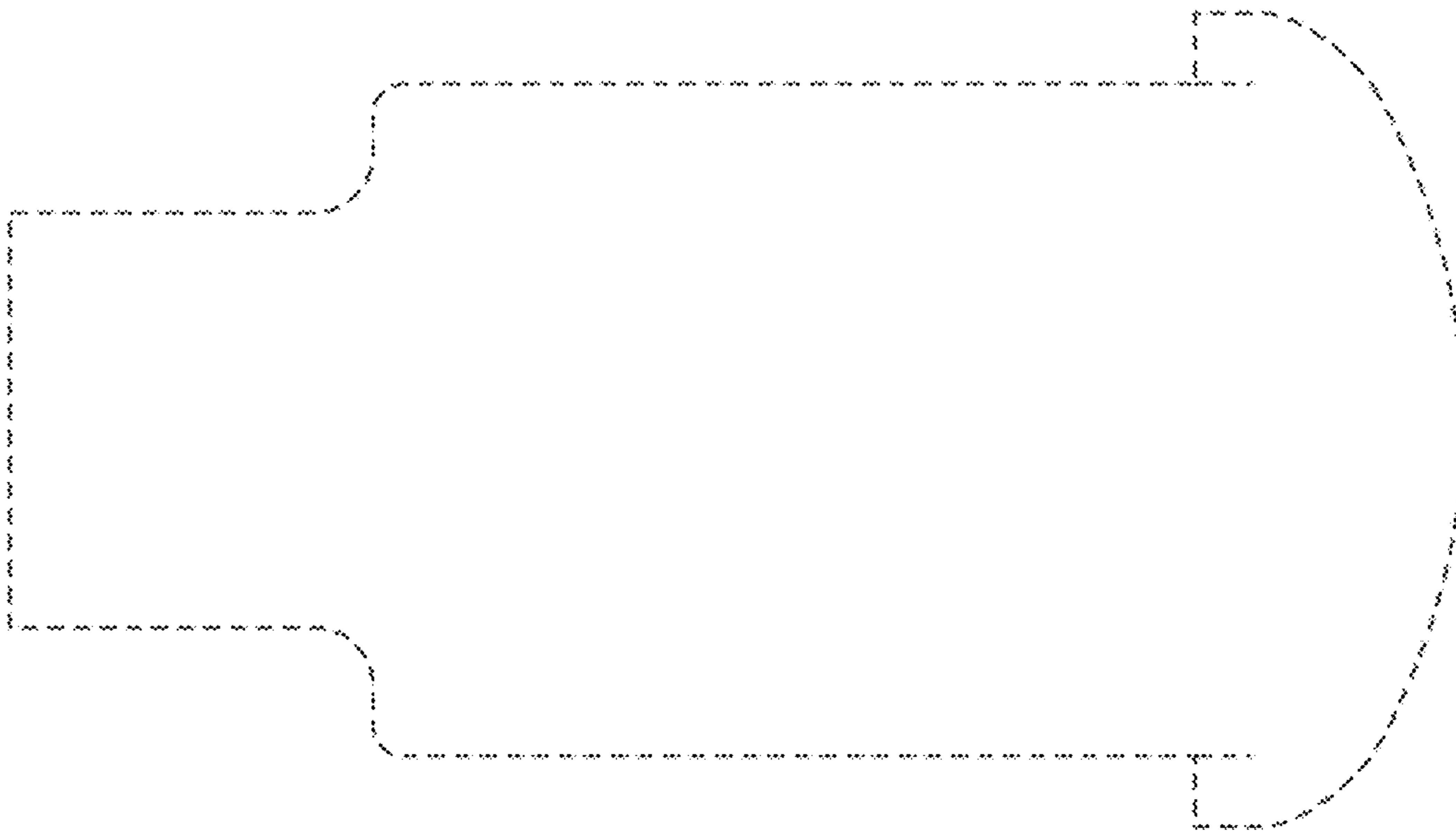
1.4



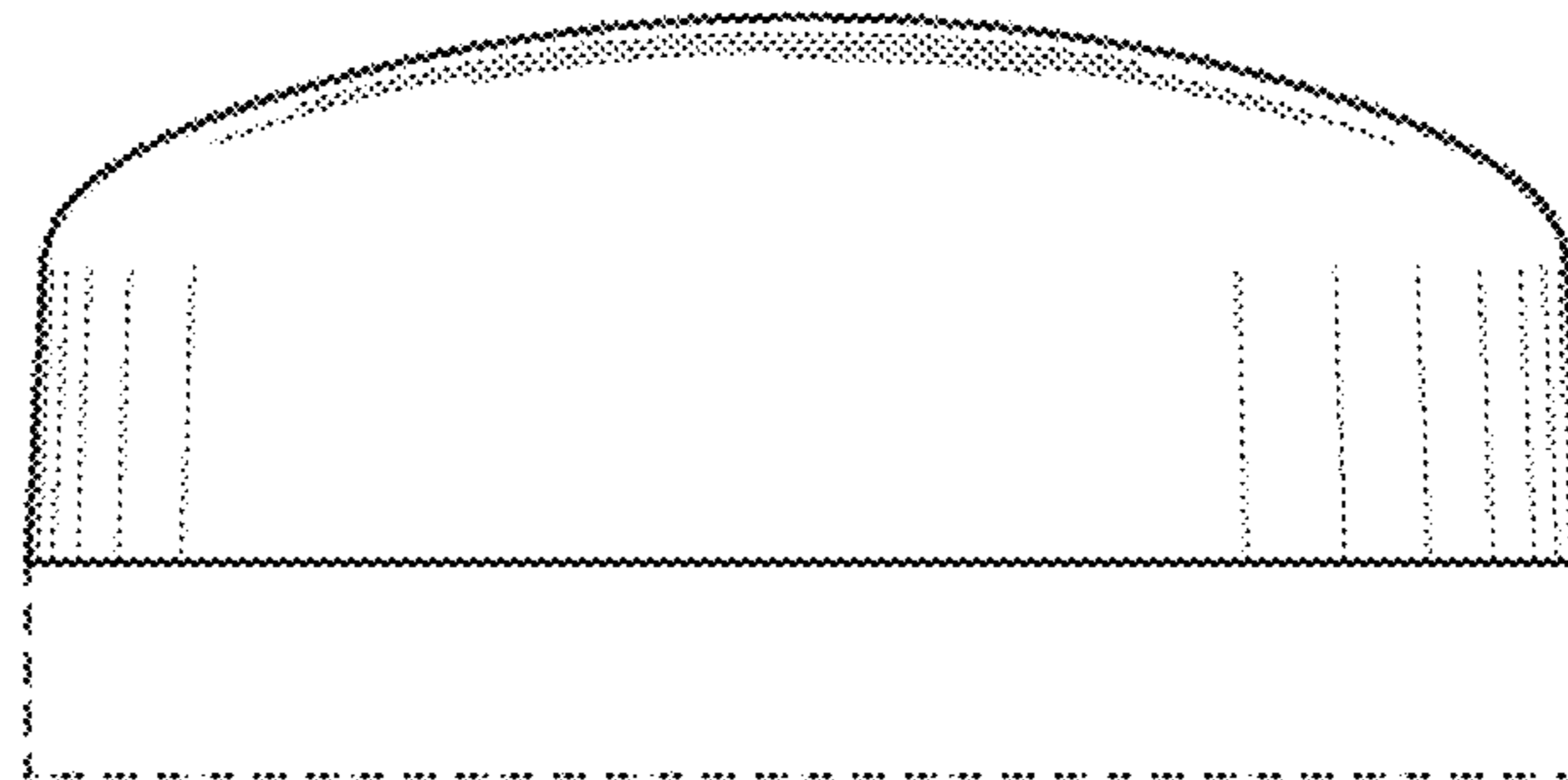
1.5



**1.6**

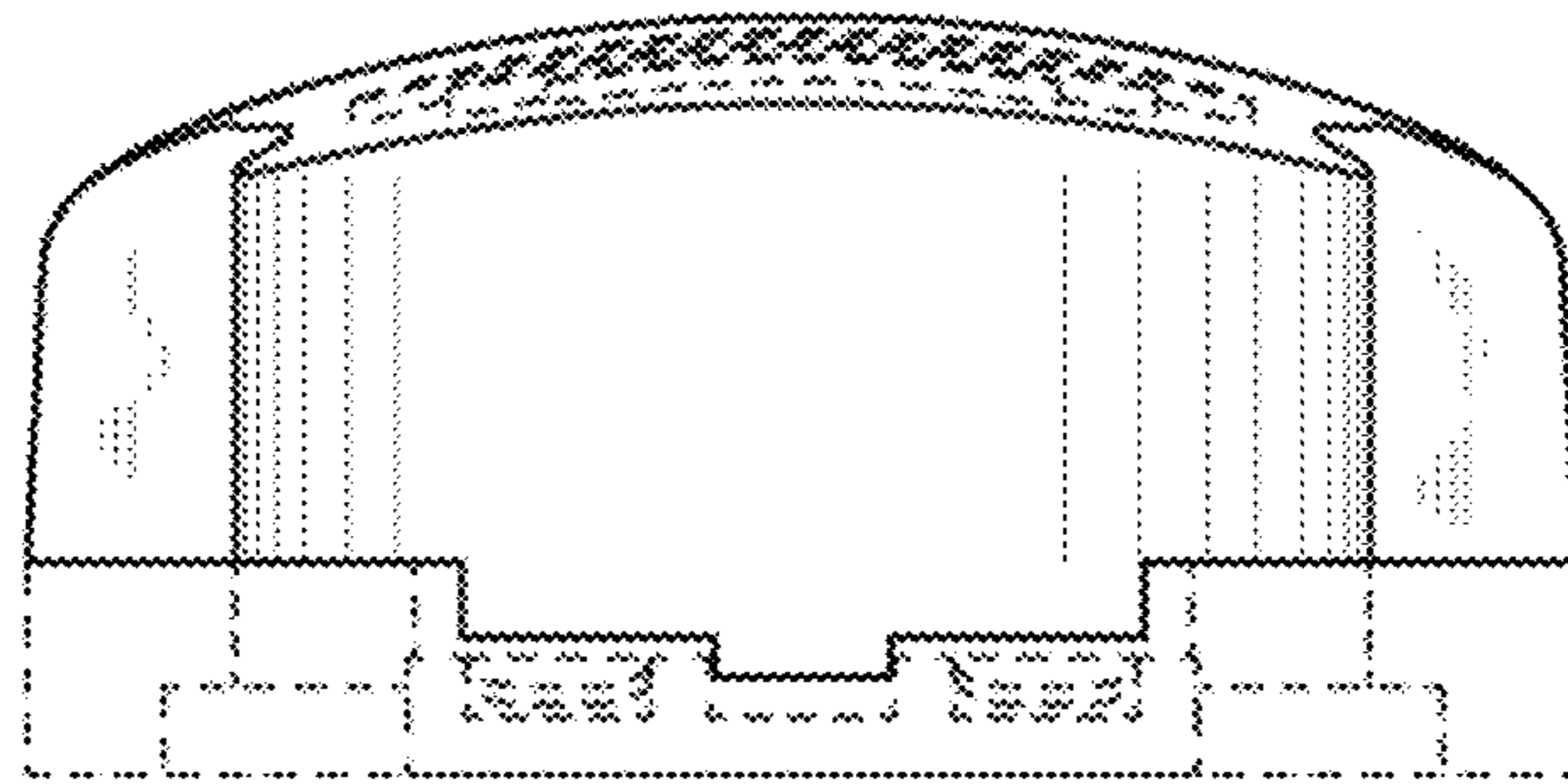


1.7





1.8



1.9

