



US00D816014S

(12) **United States Design Patent**
Yasunaga

(10) **Patent No.:** **US D816,014 S**
(45) **Date of Patent:** **** Apr. 24, 2018**

(54) **TIRE**
(71) Applicant: **Toyo Tire & Rubber Co., Ltd.**,
Osaka-shi, Osaka (JP)
(72) Inventor: **Toshikazu Yasunaga**, Osaka (JP)
(73) Assignee: **Toyo Tire & Rubber Co., Ltd.**, Osaka
(JP)
(**) Term: **15 Years**
(21) Appl. No.: **29/596,957**
(22) Filed: **Mar. 13, 2017**

D683,301 S * 5/2013 Kang D12/552
D713,781 S * 9/2014 Shin D12/558
D721,322 S 1/2015 Raatikainen et al.
D733,639 S 7/2015 Fontaine et al.
2013/0133798 A1* 5/2013 Ochi B60C 11/11
152/209.18
2015/0191050 A1* 7/2015 Matsumoto B60C 11/04
152/209.25

* cited by examiner

Primary Examiner — George D. Kirschbaum
Assistant Examiner — Joseph J Kukella
(74) *Attorney, Agent, or Firm* — Sterne, Kessler,
Goldstein & Fox P.L.L.C.

(30) **Foreign Application Priority Data**
Nov. 17, 2016 (JP) 2016-025091
(51) **LOC (11) Cl.** **12-15**
(52) **U.S. Cl.**
USPC **D12/545**
(58) **Field of Classification Search**
USPC D12/533–567
CPC B60C 11/0302; B60C 2011/0358; B60C
2011/0374
See application file for complete search history.

(57) **CLAIM**

The ornamental design for a tire, as shown and described.

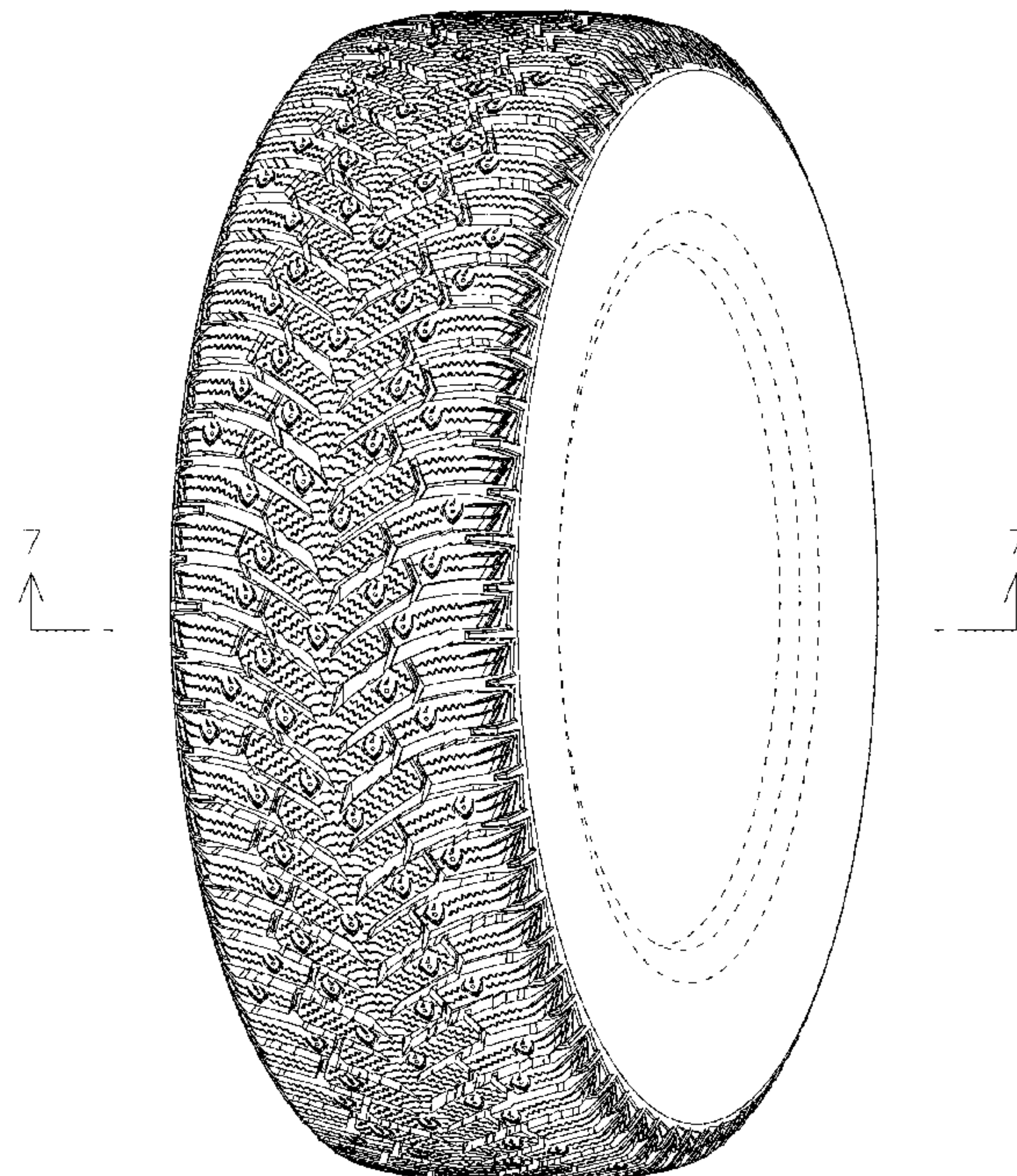
DESCRIPTION

FIG. 1 is a front perspective view of a tire showing the claimed design;
FIG. 2 is a front view thereof;
FIG. 3 is a rear view thereof;
FIG. 4 is a top plan view thereof, the bottom plan view being the same;
FIG. 5 is a right side view thereof;
FIG. 6 is a left side view thereof;
FIG. 7 is an enlarged view taken along line 7-7 in FIG. 1;
FIG. 8 is an enlarged view of the portion 8-8 in FIG. 2; and
FIG. 9 is an enlarged cross-sectional view taken along line 9-9 in FIG. 8.

In the drawings, the broken lines show portions of the tire that form no part of the claimed design.

1 Claim, 9 Drawing Sheets

(56) **References Cited**
U.S. PATENT DOCUMENTS
D322,950 S * 1/1992 Overhoff D12/555
D388,039 S * 12/1997 Ratliff, Jr. D12/564
D451,853 S * 12/2001 Heinen D12/553
D504,106 S * 4/2005 de Briey-Terlinden D12/553
D597,476 S * 8/2009 de Briey-Terlinden D12/553
D603,326 S * 11/2009 Chung D12/552
D603,327 S * 11/2009 Chung D12/552



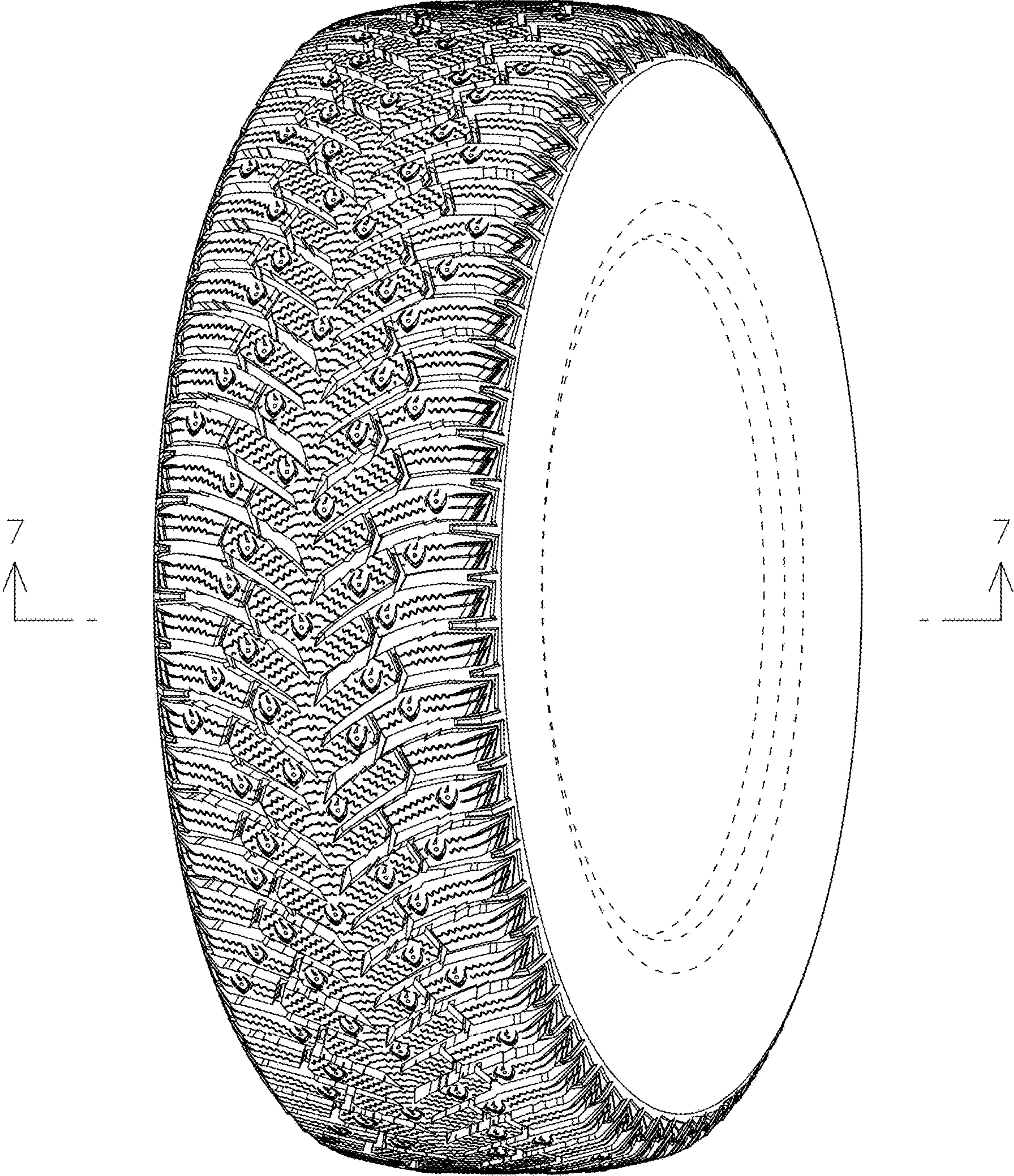


FIG. 1

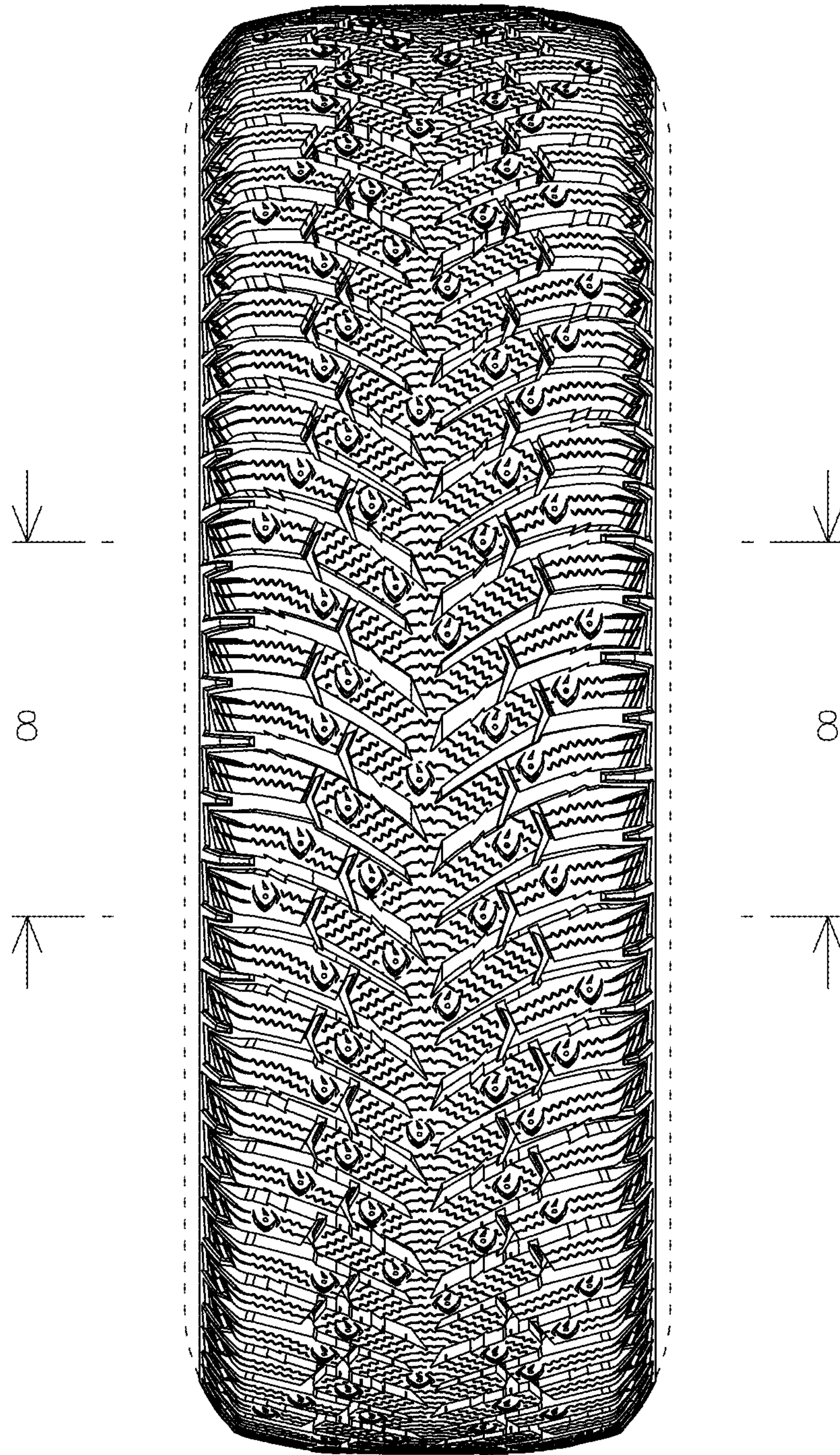


FIG. 2

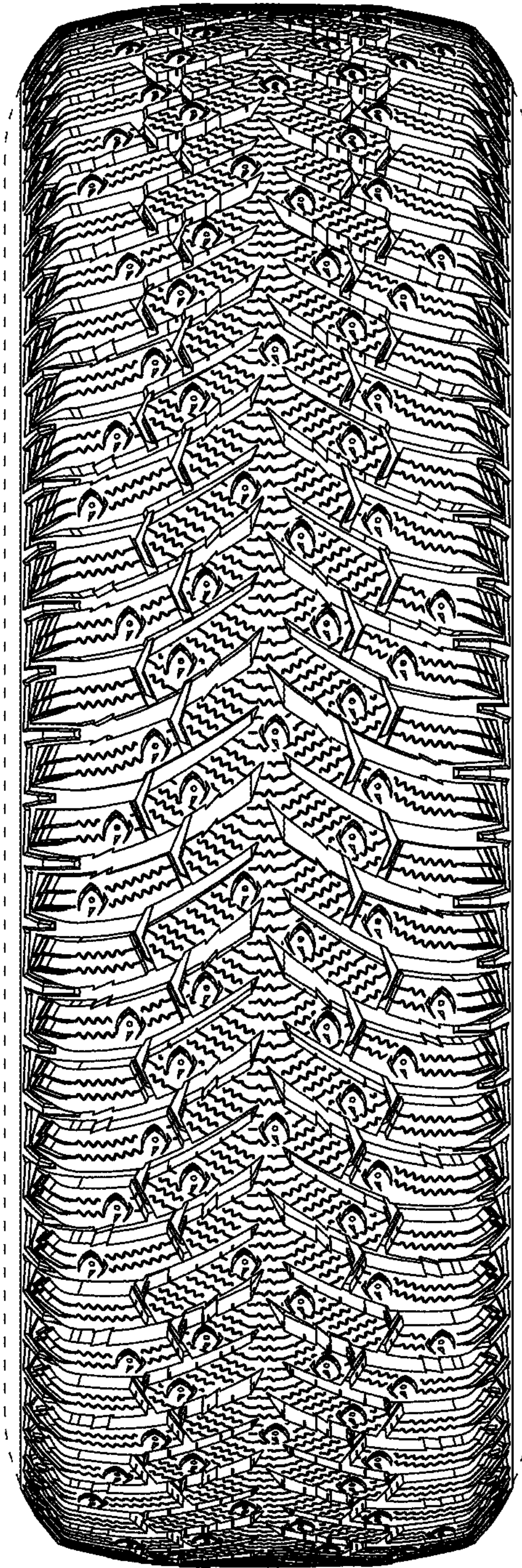


FIG. 3



FIG. 4

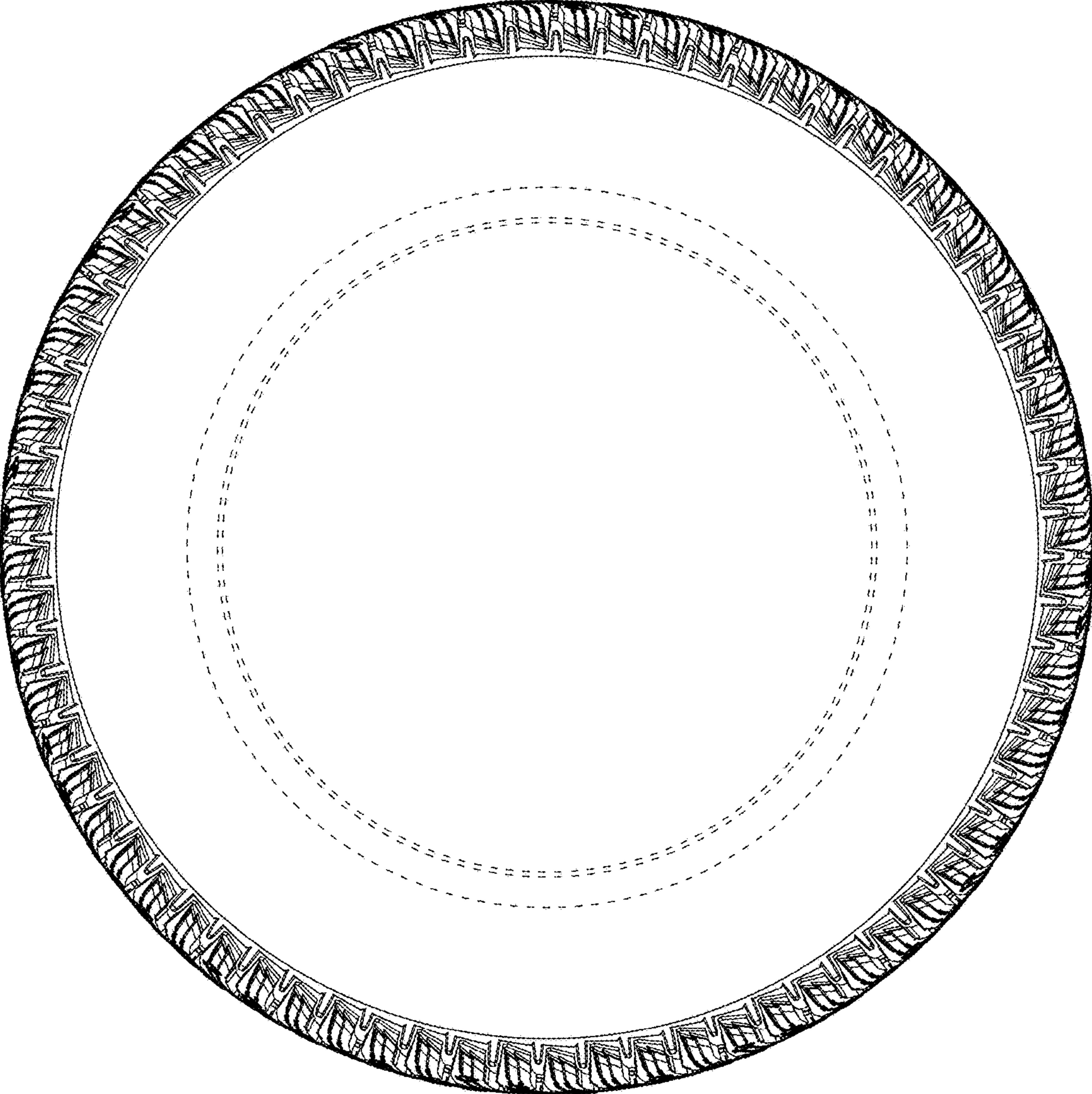


FIG. 5

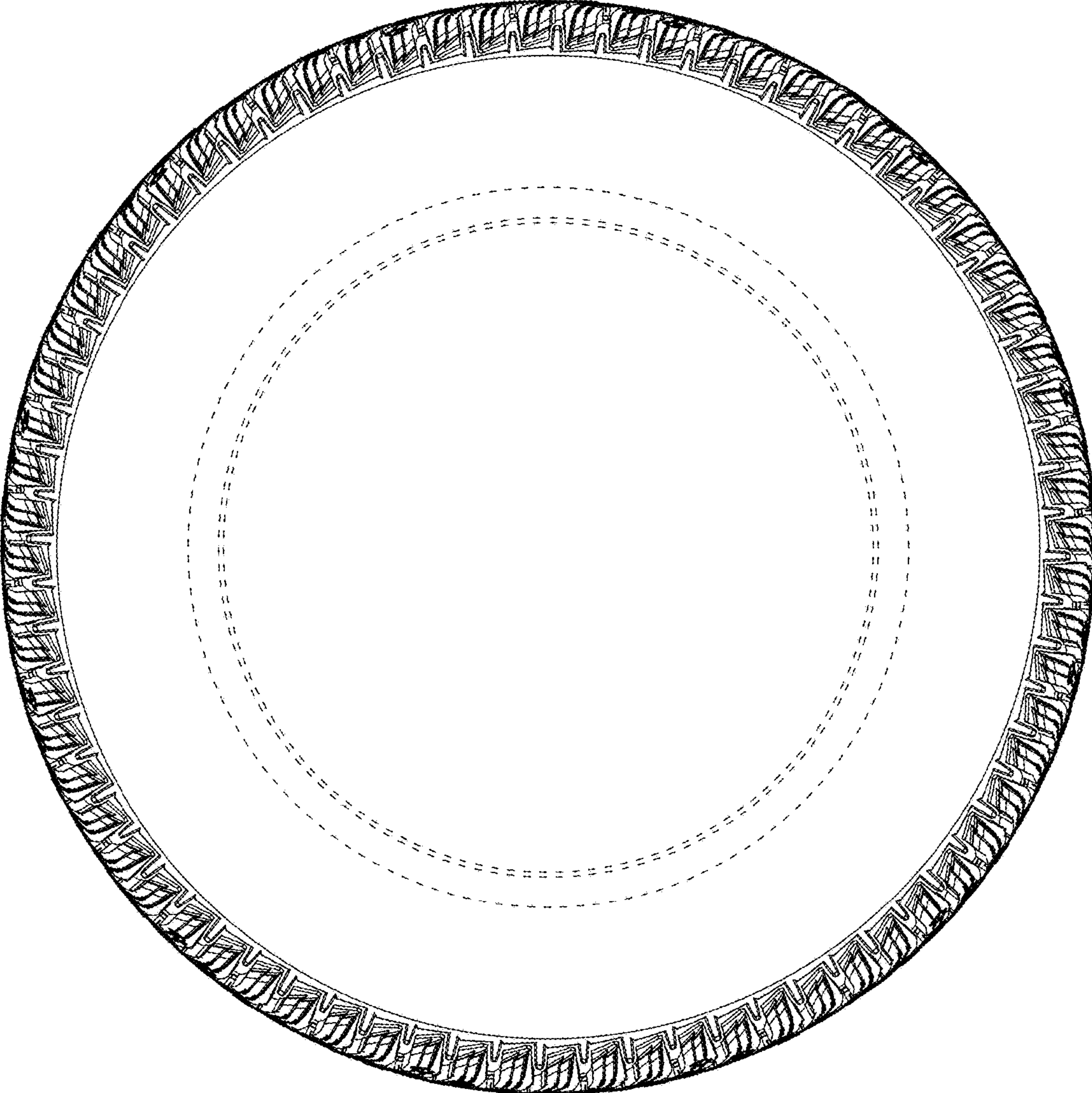


FIG. 6

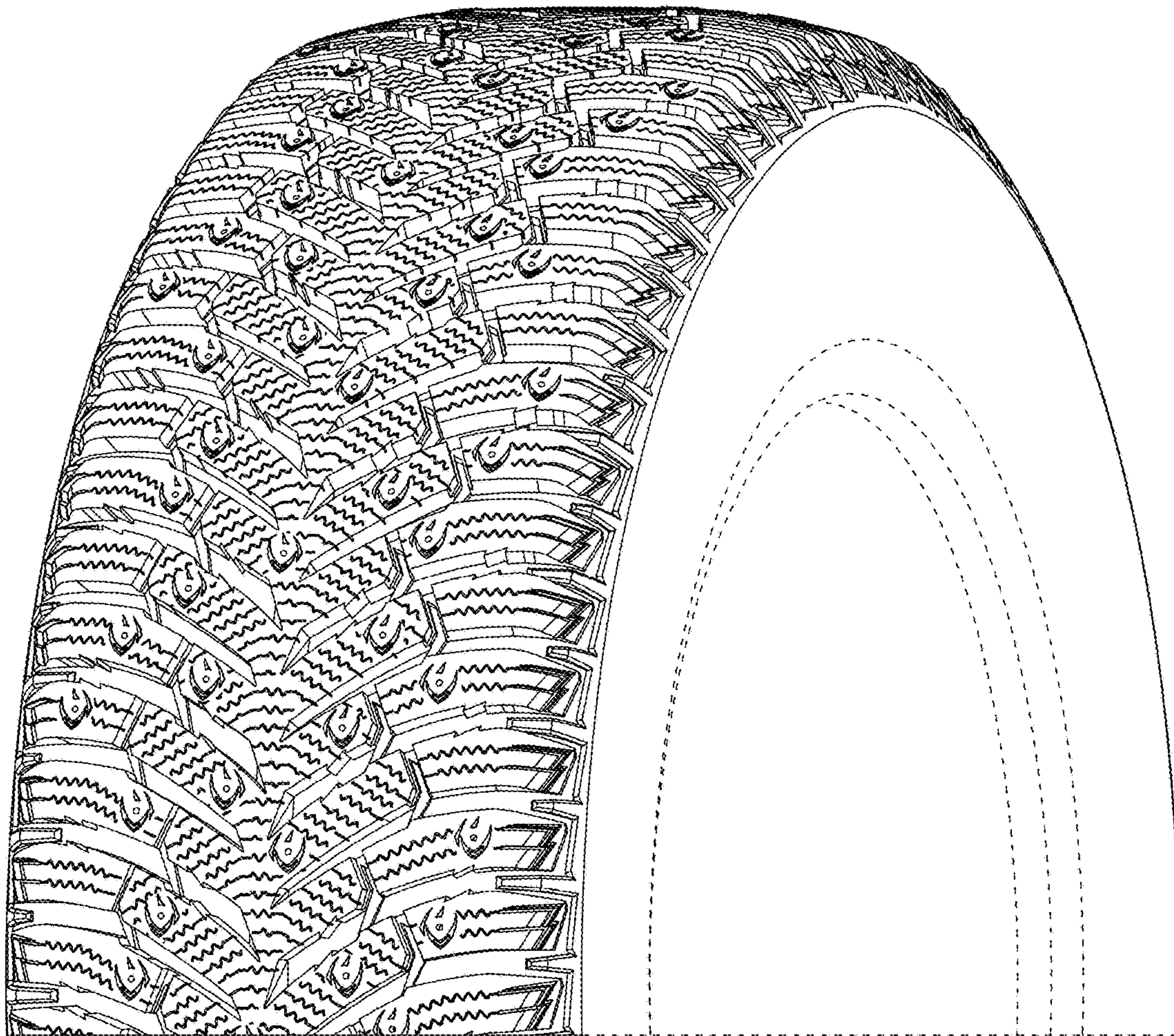


FIG. 7

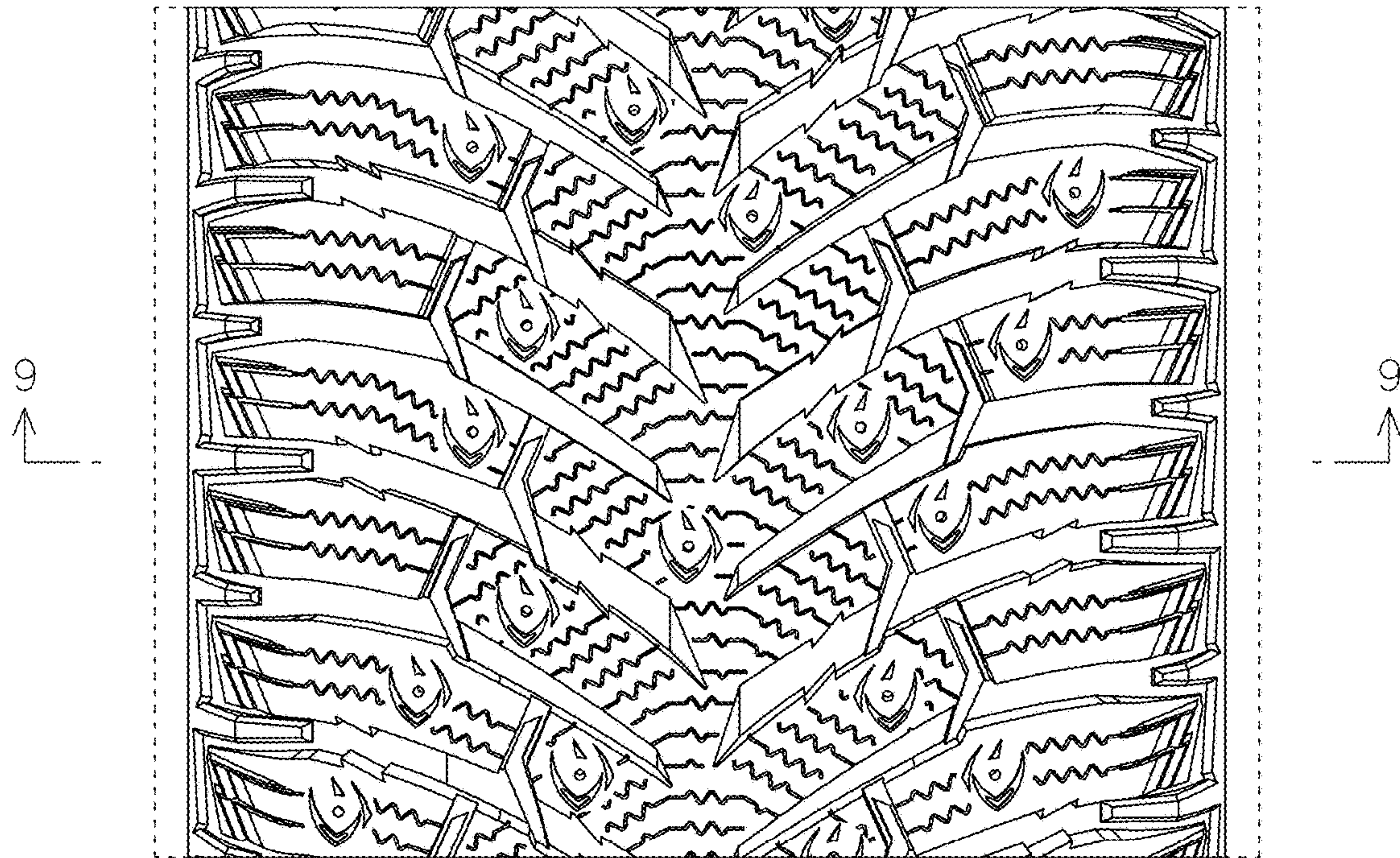


FIG. 8

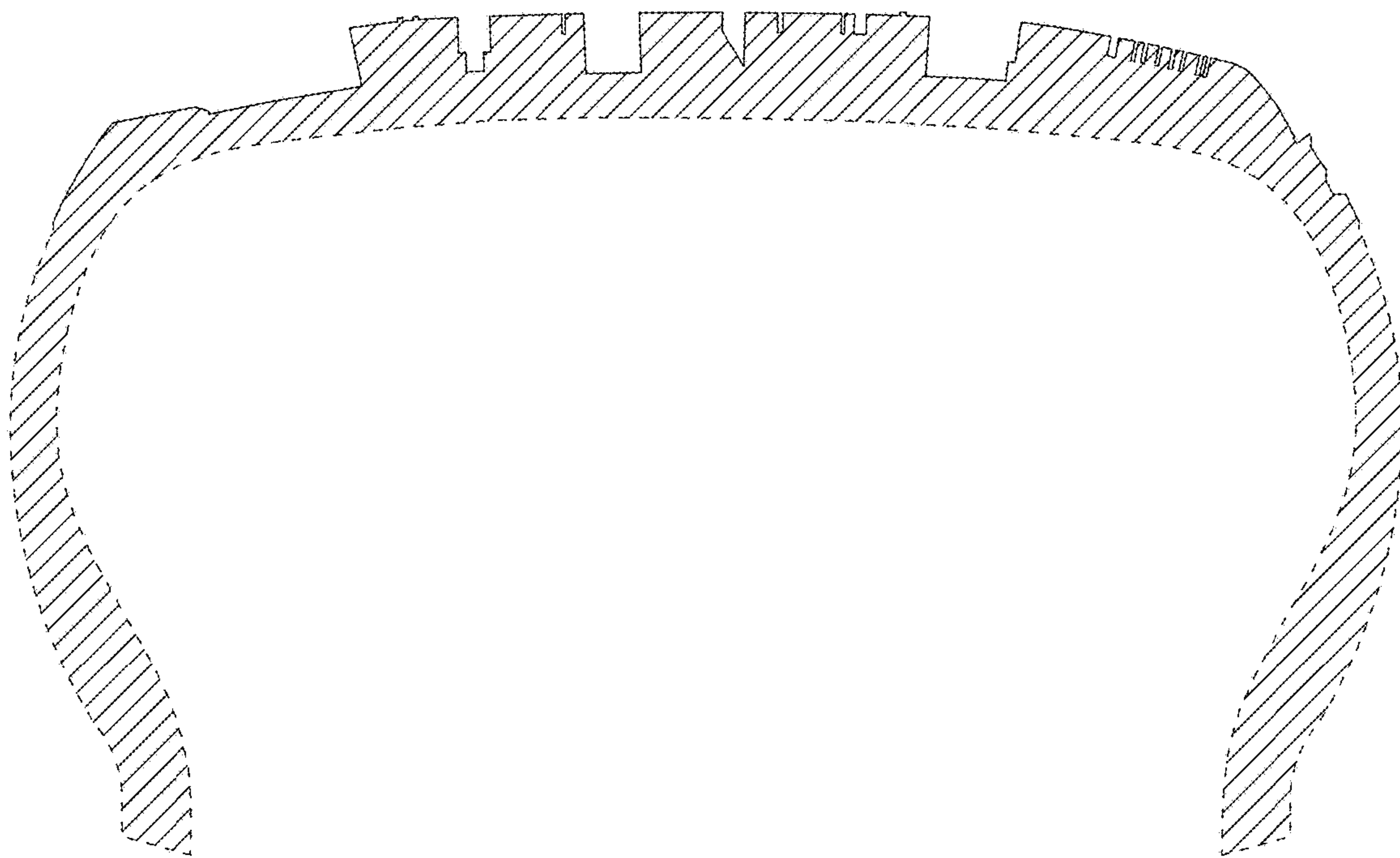


FIG. 9