



US00D816012S

(12) **United States Design Patent**  
**Linson**

(10) **Patent No.:** **US D816,012 S**  
(45) **Date of Patent:** **\*\* Apr. 24, 2018**

(54) **SENSOR MOUNTING ADAPTER BASE FOR HEAVY DUTY VEHICLE REAR WHEEL ASSEMBLY**

D654,423 S *	2/2012	Geils .....	D12/412
D656,932 S *	4/2012	Wikel .....	D12/415
D663,726 S *	7/2012	Gourley .....	D14/251
D726,640 S *	4/2015	Frey .....	D12/415
D756,987 S *	5/2016	Taing .....	D14/253
2014/0138419 A1 *	5/2014	Minn .....	B60R 11/0241 224/567

(71) Applicant: **Hunter Engineering Company**, St. Louis, MO (US)

(72) Inventor: **Dennis Linson**, St. Charles, MO (US)

(73) Assignee: **Hunter Engineering Company**, St. Louis, MO (US)

(\*\*) Term: **15 Years**

(21) Appl. No.: **29/586,900**

(22) Filed: **Dec. 7, 2016**

(51) **LOC (11) Cl.** ..... **12-16**

(52) **U.S. Cl.**  
USPC ..... **D12/412**

(58) **Field of Classification Search**  
USPC ..... D12/412, 406, 413, 414, 414.1; D6/552;  
D3/304-306  
CPC ..... B60R 9/04; B60R 9/048; B60R 9/045  
See application file for complete search history.

(56) **References Cited**

**U.S. PATENT DOCUMENTS**

5,735,410 A *	4/1998	Kallstrom .....	B60R 9/10 211/20
5,988,402 A *	11/1999	Mayfield .....	B62H 3/04 211/20
6,640,979 B1 *	11/2003	Mayfield .....	B62H 3/00 211/20
7,150,359 B1 *	12/2006	Lyons .....	B62H 3/08 211/20
D602,420 S *	10/2009	Kuschmeader .....	D12/408
D619,079 S *	7/2010	Bailo .....	D12/416

\* cited by examiner

*Primary Examiner* — Katrina A Betton

(74) *Attorney, Agent, or Firm* — Sandberg, Phoenix & Von Gontard, P.C.

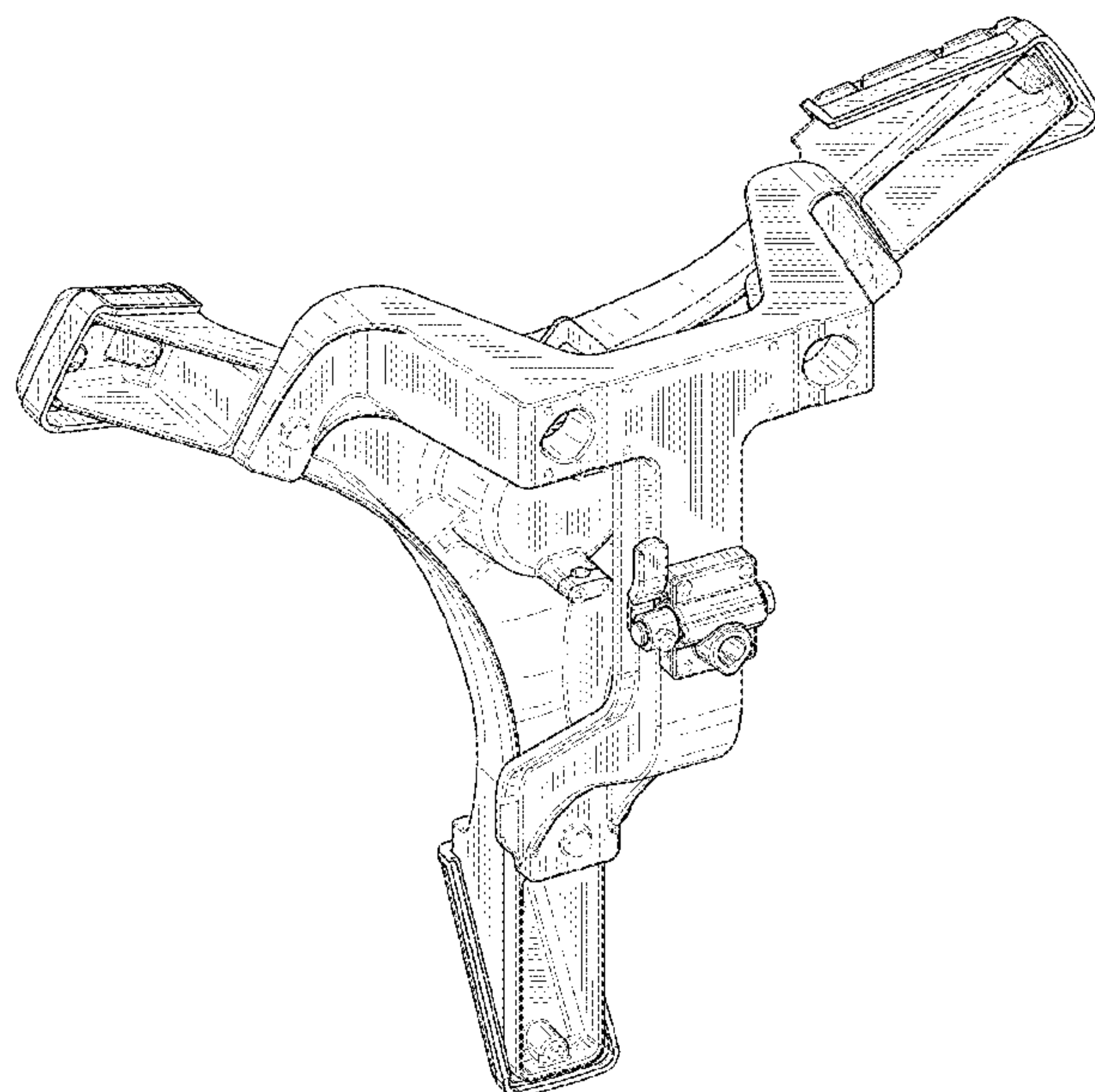
(57) **CLAIM**

The ornamental design for sensor mounting adapter base for heavy duty vehicle rear wheel assembly, as shown and described.

**DESCRIPTION**

FIG. 1 is a front perspective view of the sensor mounting adapter base for a heavy duty vehicle rear wheel assembly; FIG. 2 is a rear perspective view of the sensor mounting adapter base; FIG. 3 is a front plan view of the sensor mounting adapter base; FIG. 4 is a rear plan view of the sensor mounting adapter base; FIG. 5 is a left side plan view of the sensor mounting adapter base; FIG. 6 is a right side plan view of the sensor mounting adapter base; FIG. 7 is a top plan view of the sensor mounting adapter base; and, FIG. 8 is a bottom plan view of the sensor mounting adapter base. Features shown in phantom in the drawings form no part of the claimed design.

**1 Claim, 6 Drawing Sheets**



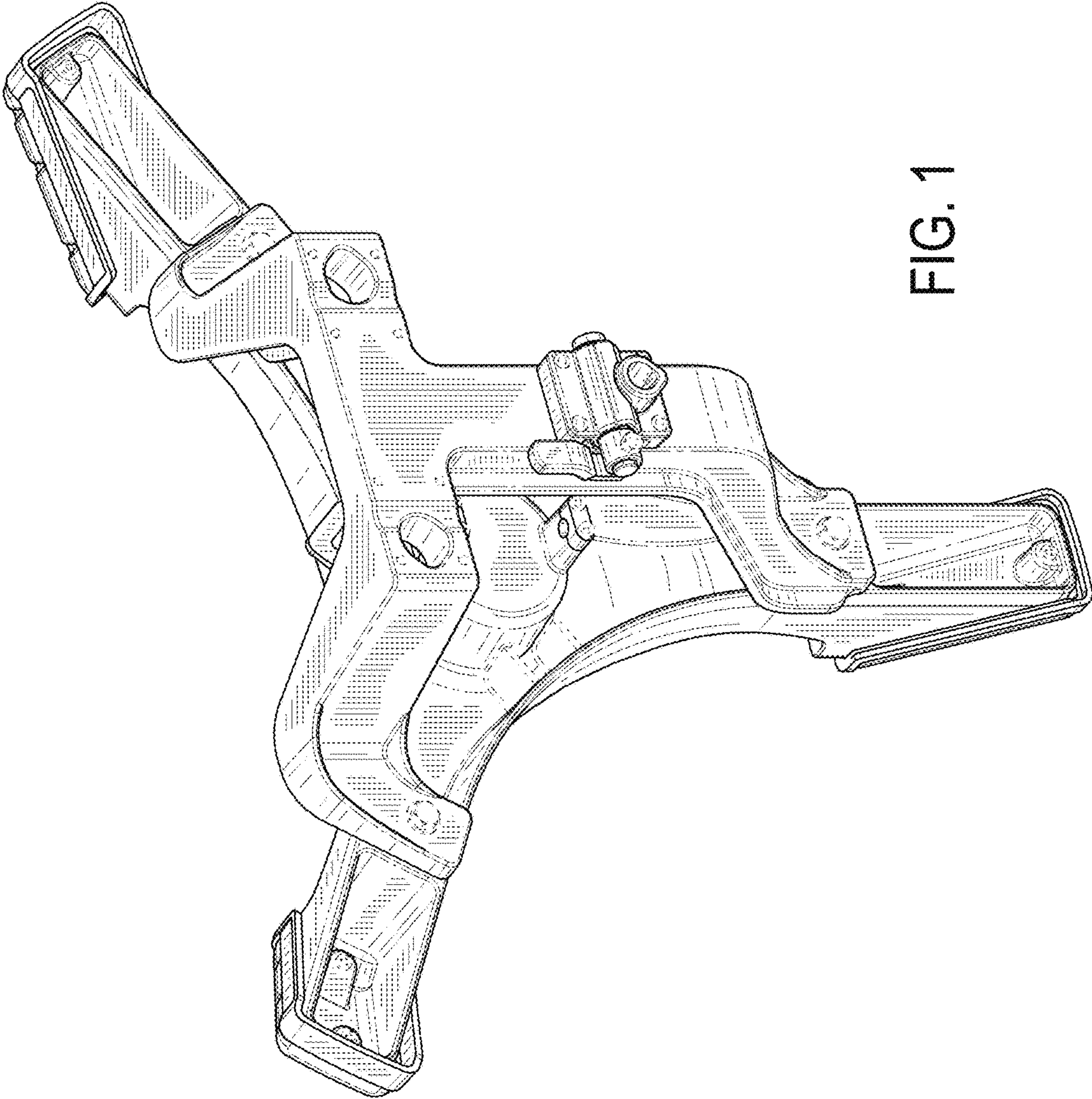


FIG. 1

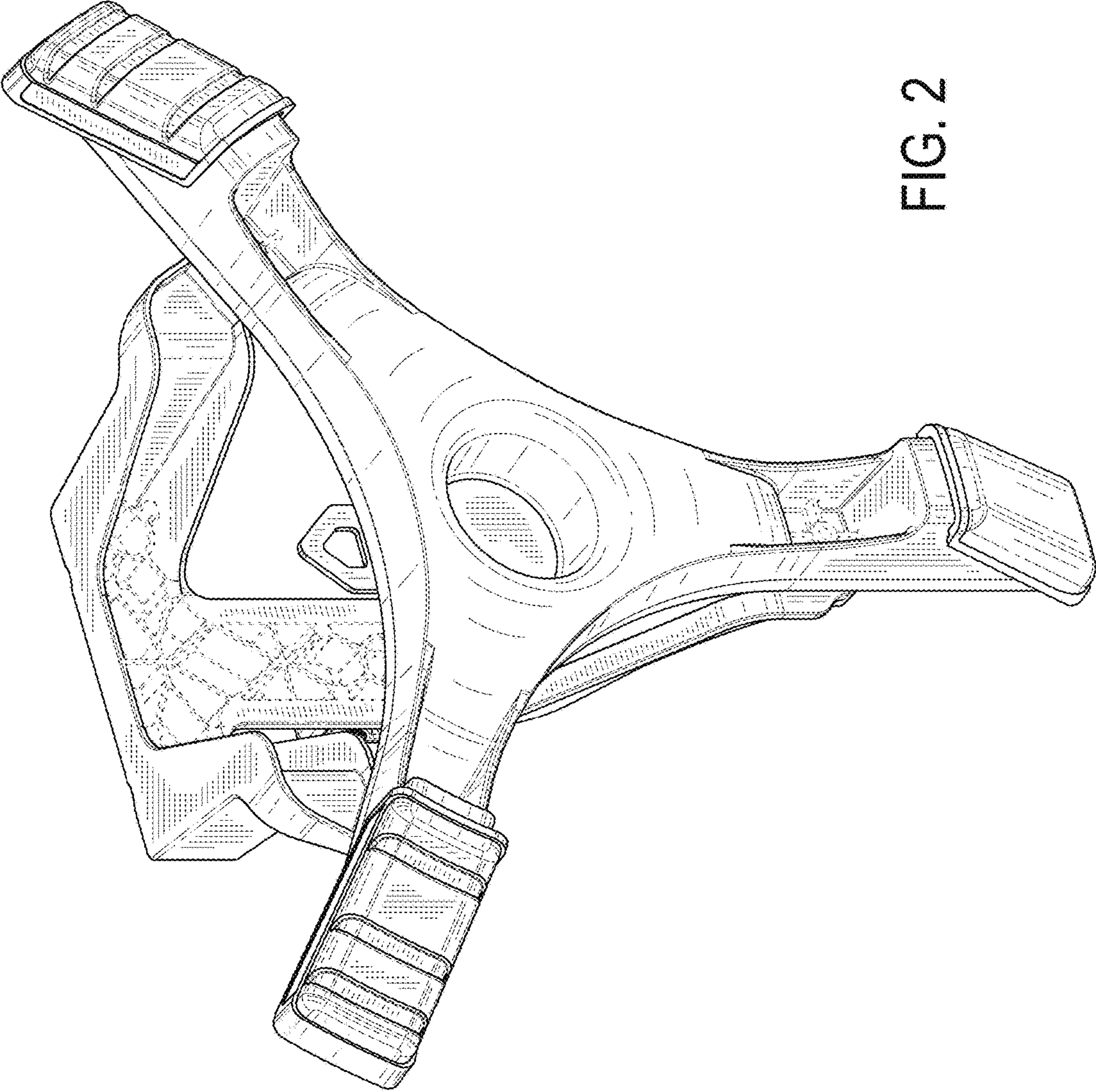


FIG. 2



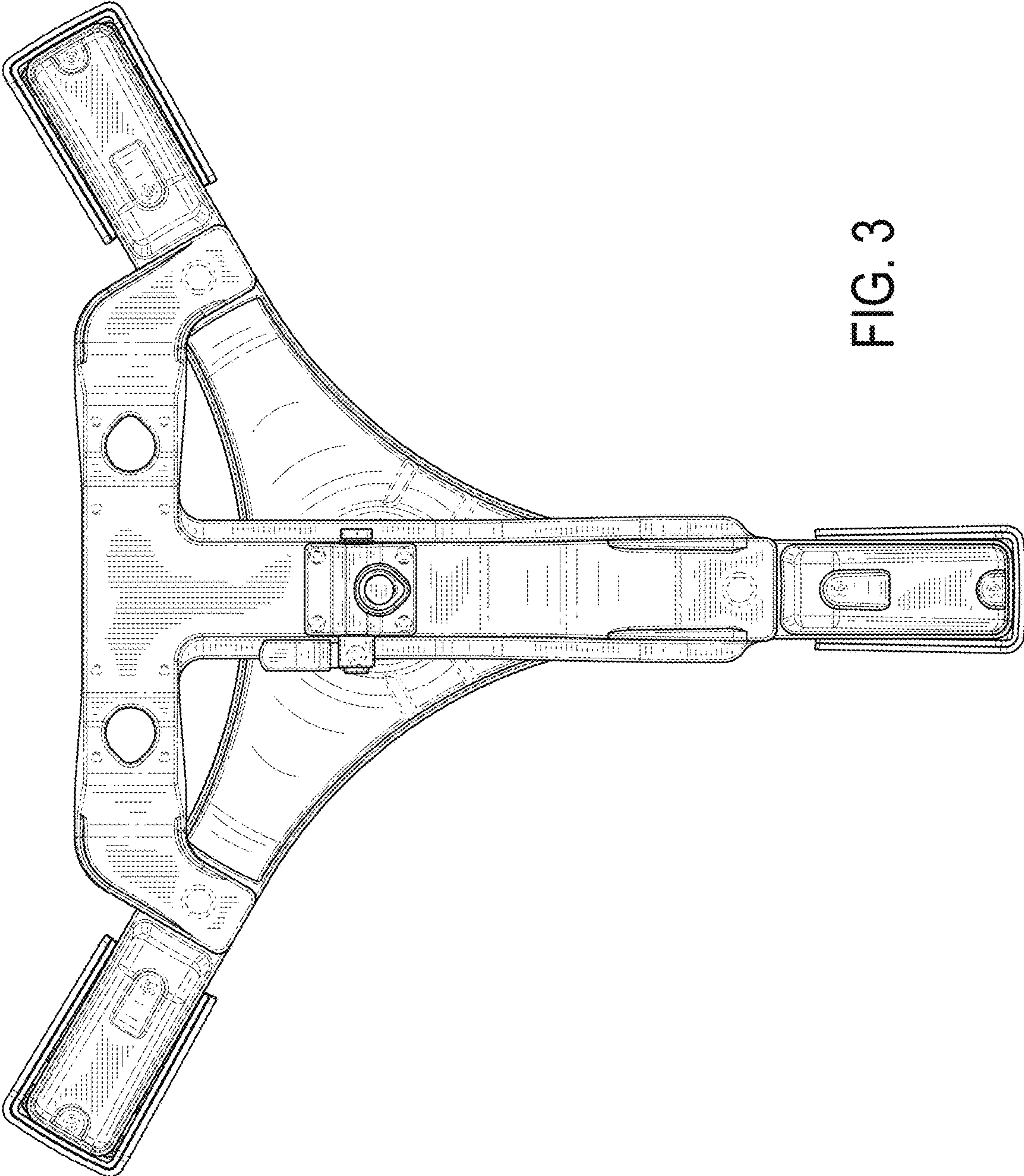


FIG. 3

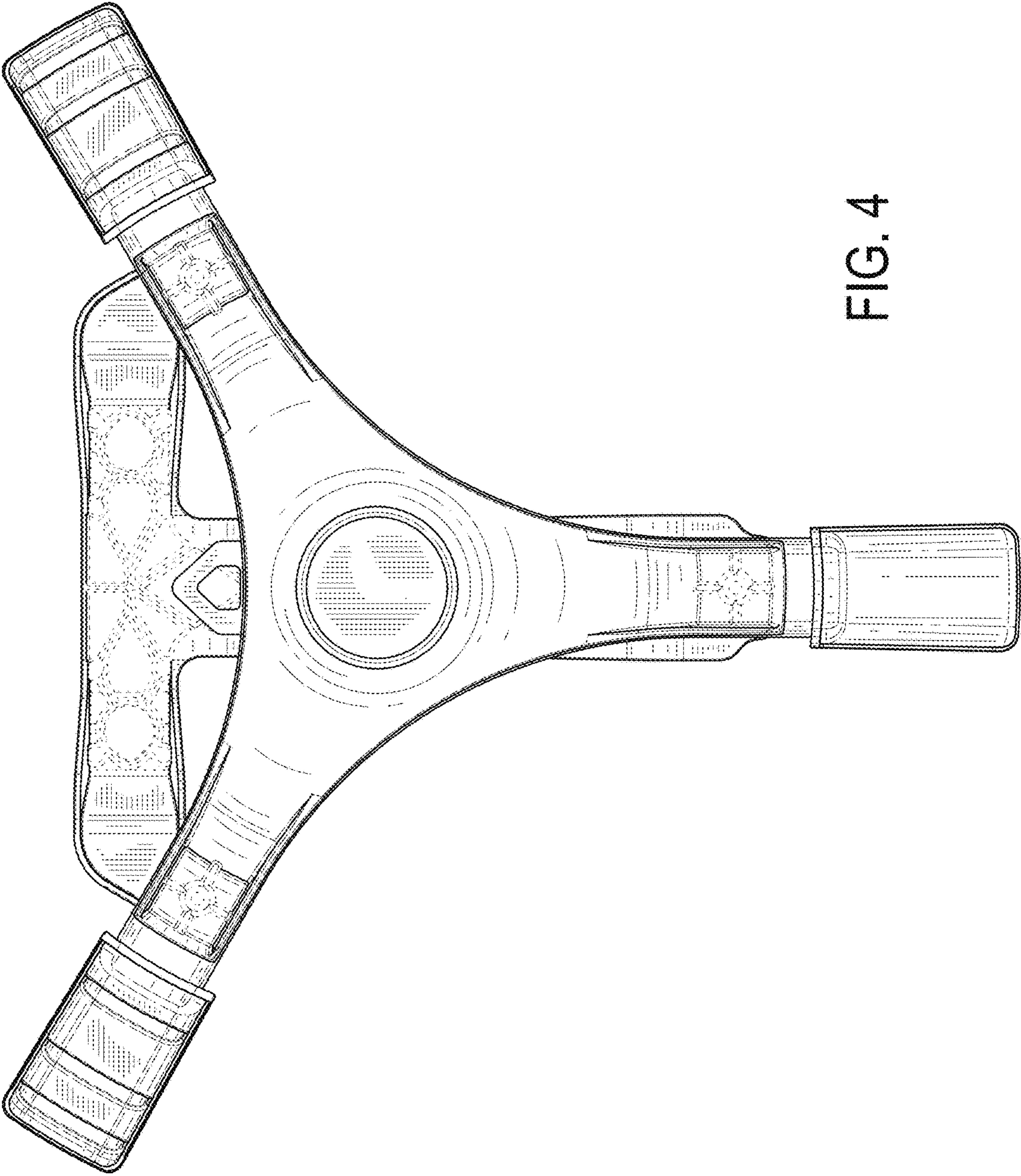


FIG. 4

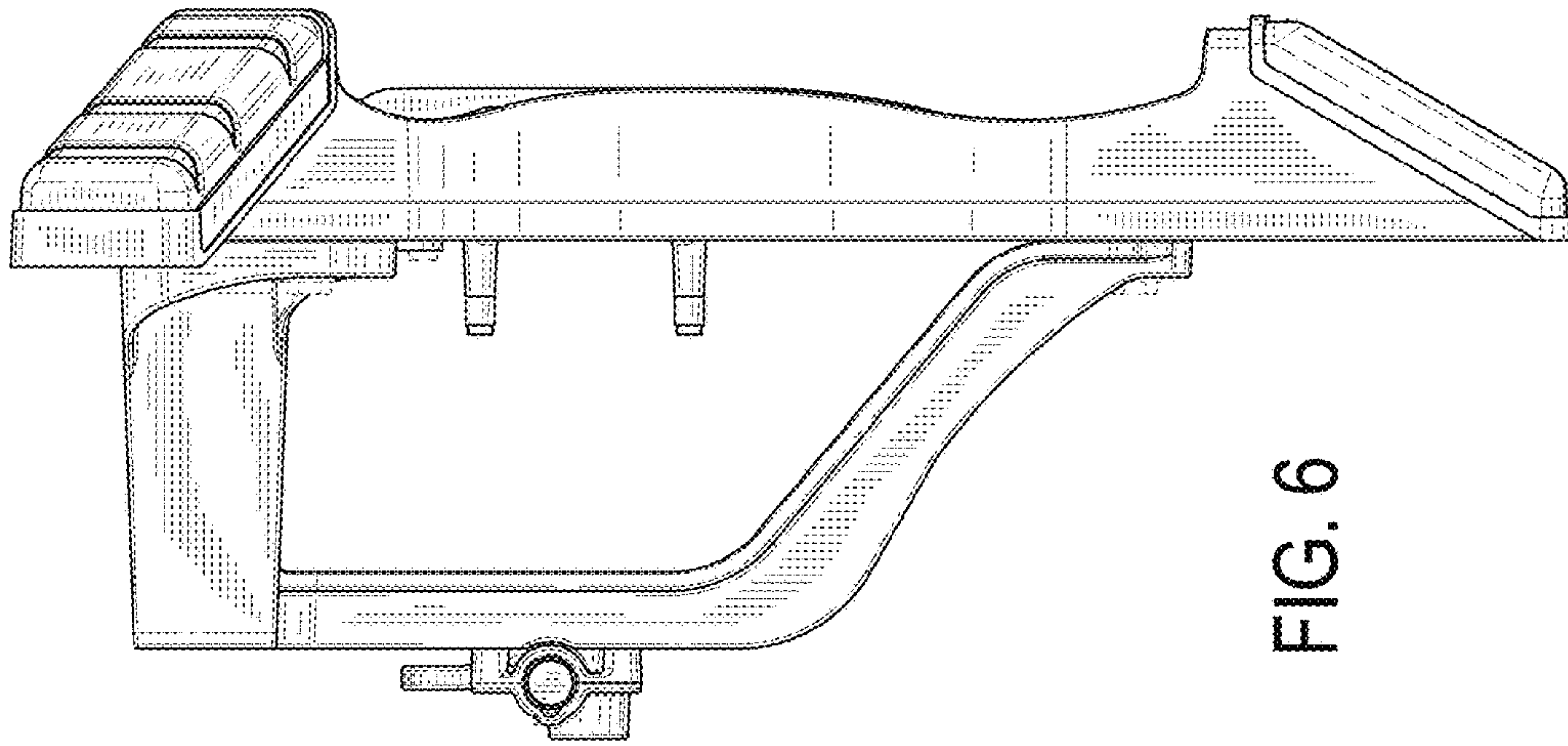


FIG. 6

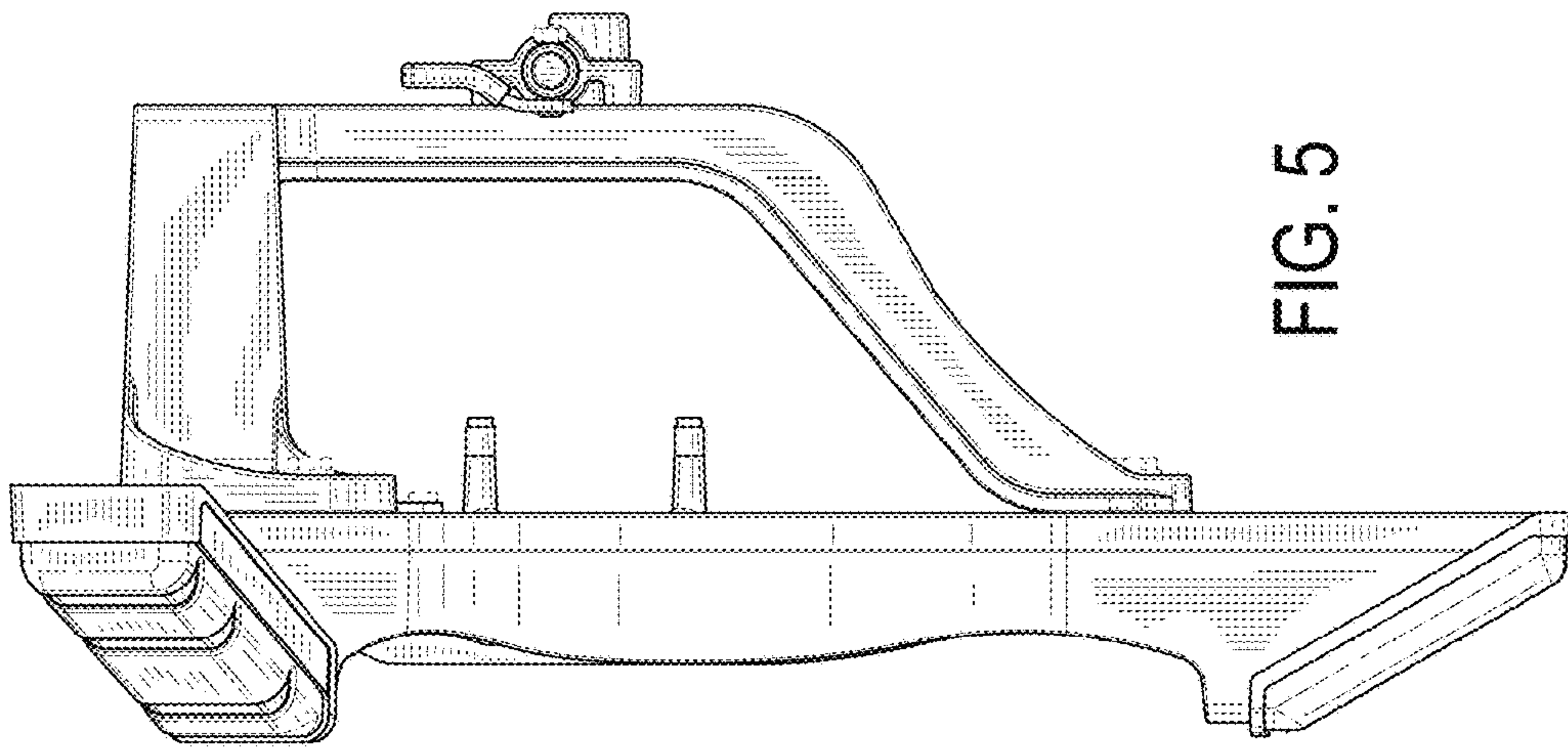


FIG. 5



