



US00D816011S

(12) **United States Design Patent** (10) **Patent No.:** **US D816,011 S**
Garcia (45) **Date of Patent:** **** Apr. 24, 2018**

(54) **ROOFTOP RACK FOR A FLUID RESERVOIR SYSTEM**

(71) Applicant: **Che Garcia**, Holualoa, HI (US)

(72) Inventor: **Che Garcia**, Holualoa, HI (US)

(**) Term: **15 Years**

(21) Appl. No.: **29/602,989**

(22) Filed: **May 5, 2017**

(51) **LOC (11) Cl.** **12-16**

(52) **U.S. Cl.**
USPC **D12/406**

(58) **Field of Classification Search**
USPC D12/401-406; D6/610-611
CPC B60R 9/00; B60R 9/02; B60R 9/04; B60R 9/08; B60R 9/042; B60R 9/0423; B60R 9/0426; B60R 9/045; B60R 9/048; B60R 9/0485; B60R 9/05; B60R 9/052; B60R 9/055; B60R 9/058; B60R 9/06; B60R 9/065; B60R 9/10; B60R 9/12
See application file for complete search history.

(56) **References Cited**

U.S. PATENT DOCUMENTS

D578,952	S	*	10/2008	Badillo	D12/406
D624,005	S	*	9/2010	Winner	D12/412
8,225,436	B1		7/2012	Cotton		
D765,577	S	*	9/2016	Kmita	D12/412
D772,783	S	*	11/2016	Schleef	D12/412
9,629,508	B2		4/2017	Cotton		

D793,947	S	*	8/2017	Badillo	D12/412
D798,798	S	*	10/2017	Krusinski	D12/413
D809,996	S	*	2/2018	Lee	D12/406
D809,997	S	*	2/2018	Conner	D12/412
D811,311		*	2/2018	Badillo	D12/412
2005/0095102	A1	*	5/2005	Watson	B60R 9/042 414/462

* cited by examiner

Primary Examiner — Katrina A Betton

(74) *Attorney, Agent, or Firm* — Lewis Brisbois Bisgaard & Smith LLP

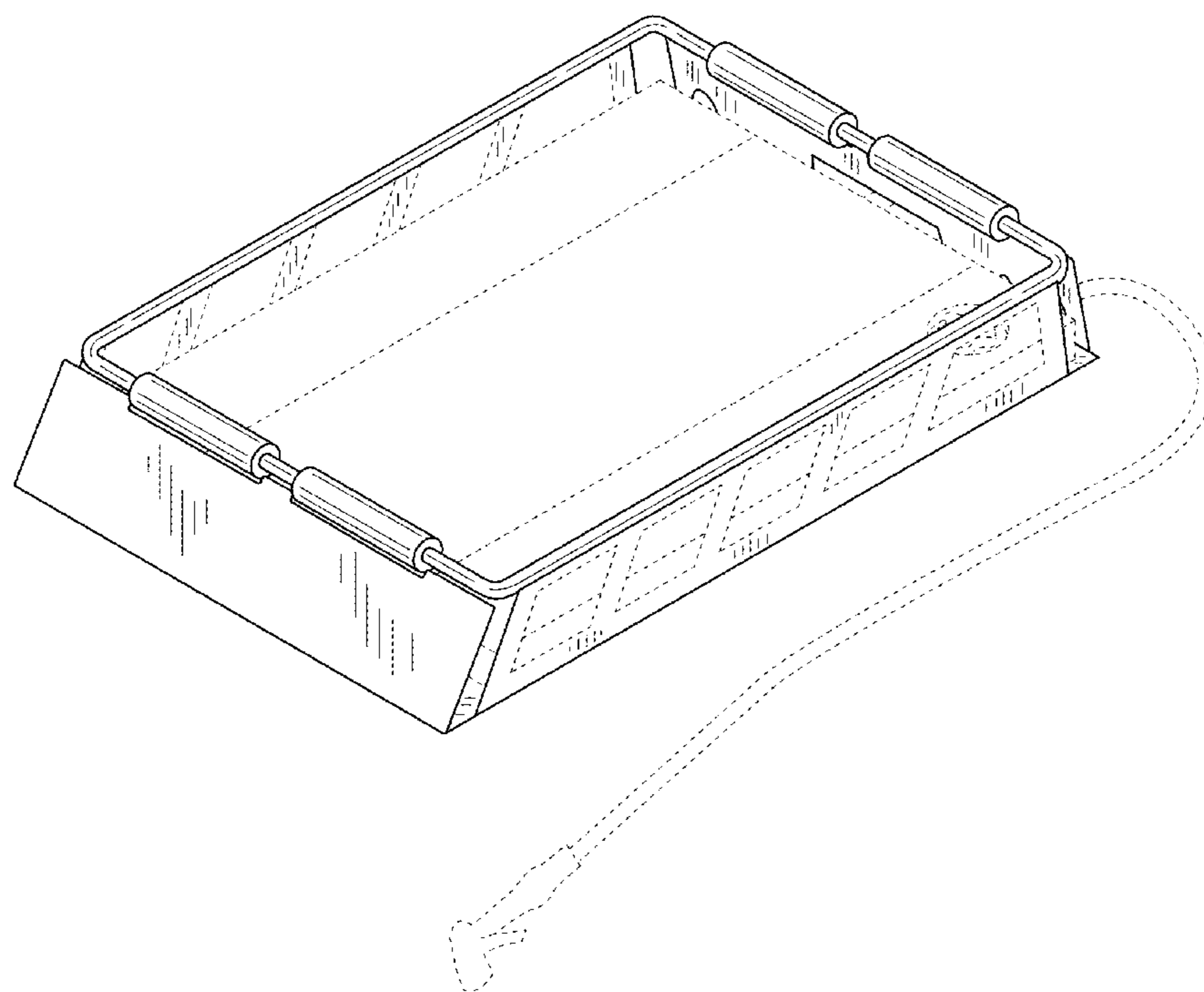
(57) **CLAIM**

The ornamental design for a rooftop rack for a fluid reservoir system, as shown and described.

DESCRIPTION

FIG. 1 is a perspective view of a rooftop rack for a fluid reservoir system, showing my new design;
FIG. 2 is a front elevation view of the rooftop rack for a fluid reservoir system illustrated in FIG. 1;
FIG. 3 is a rear elevation view of the rooftop rack for a fluid reservoir system illustrated in FIG. 1;
FIG. 4 is a right-side elevation view of the rooftop rack for a fluid reservoir system illustrated in FIG. 1;
FIG. 5 is a left-side elevation view of the rooftop rack for a fluid reservoir system illustrated in FIG. 1;
FIG. 6 is a top plan view of the rooftop rack for a fluid reservoir system illustrated in FIG. 1; and,
FIG. 7 is a bottom plan view of the rooftop rack for a fluid reservoir system illustrated in FIG. 1.

1 Claim, 5 Drawing Sheets



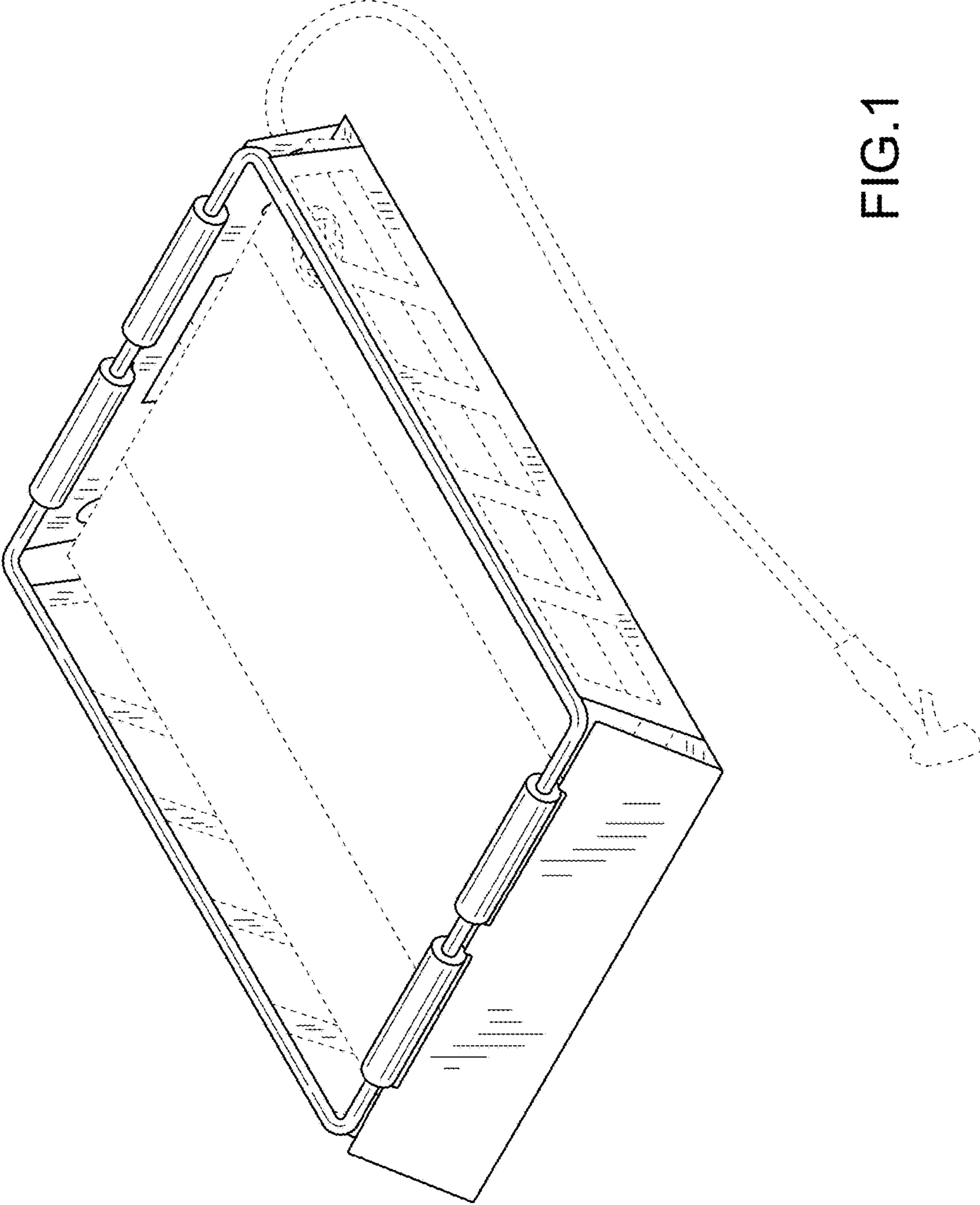


FIG.1

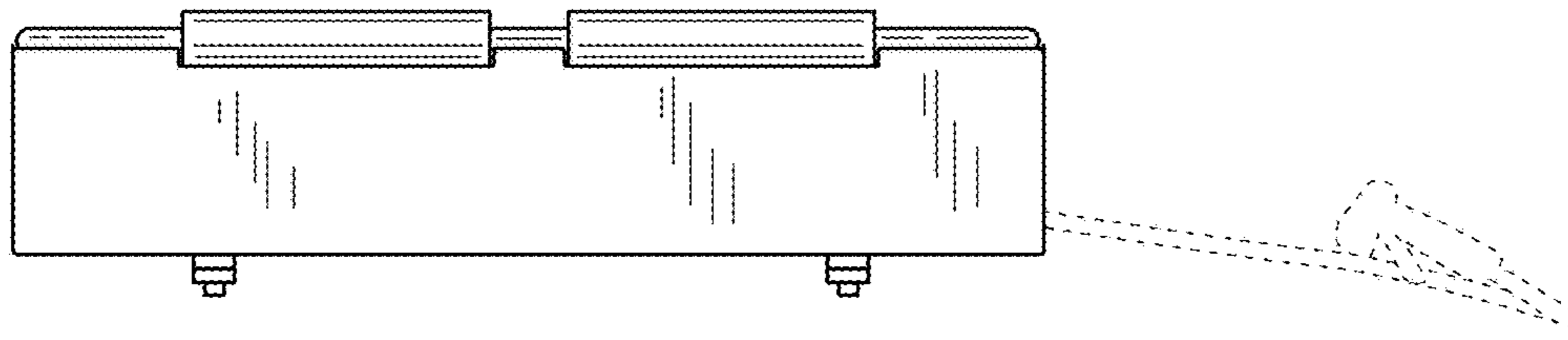


FIG.2

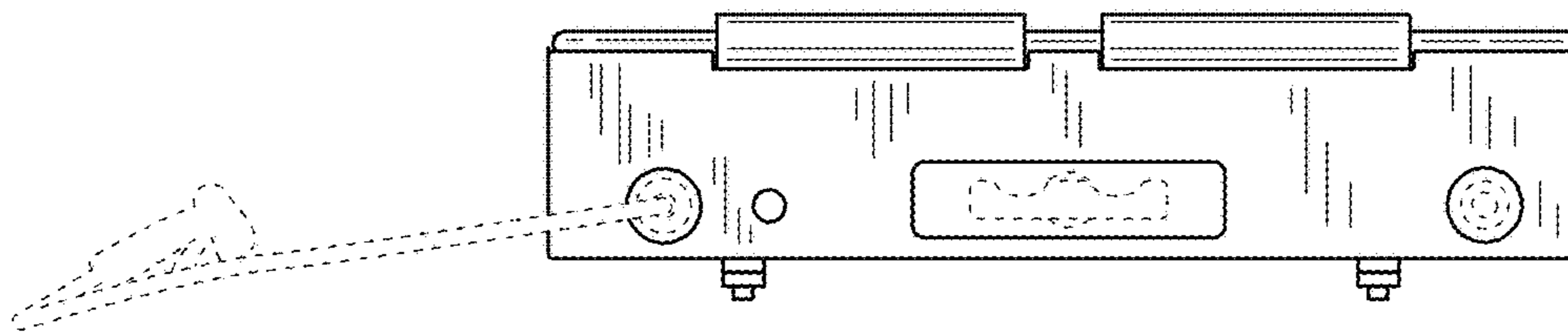


FIG.3

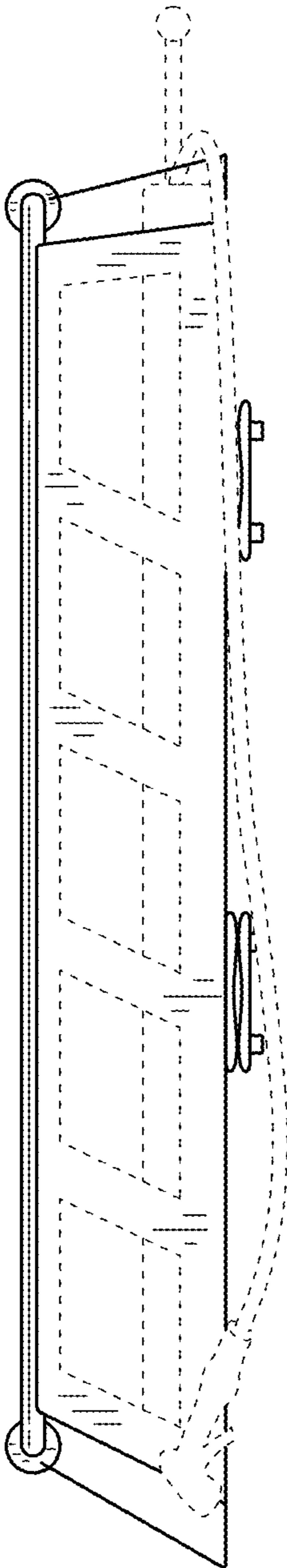


FIG.4

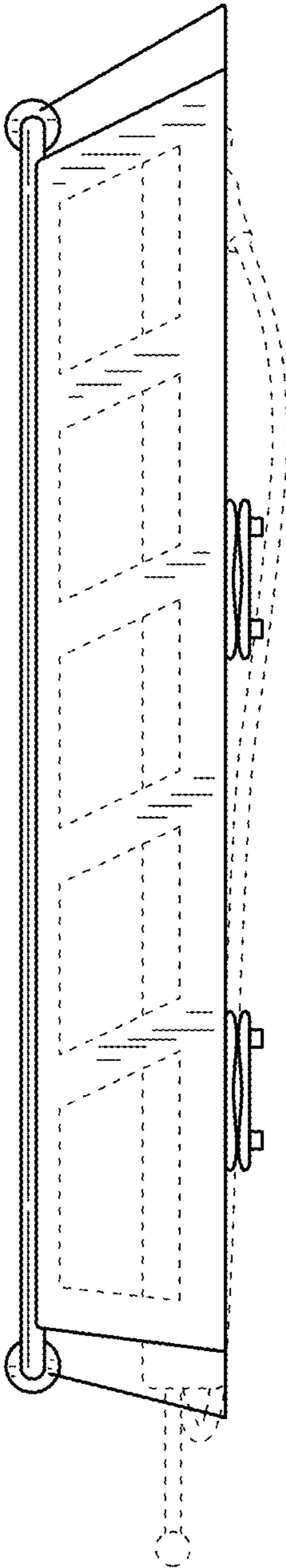


FIG.5

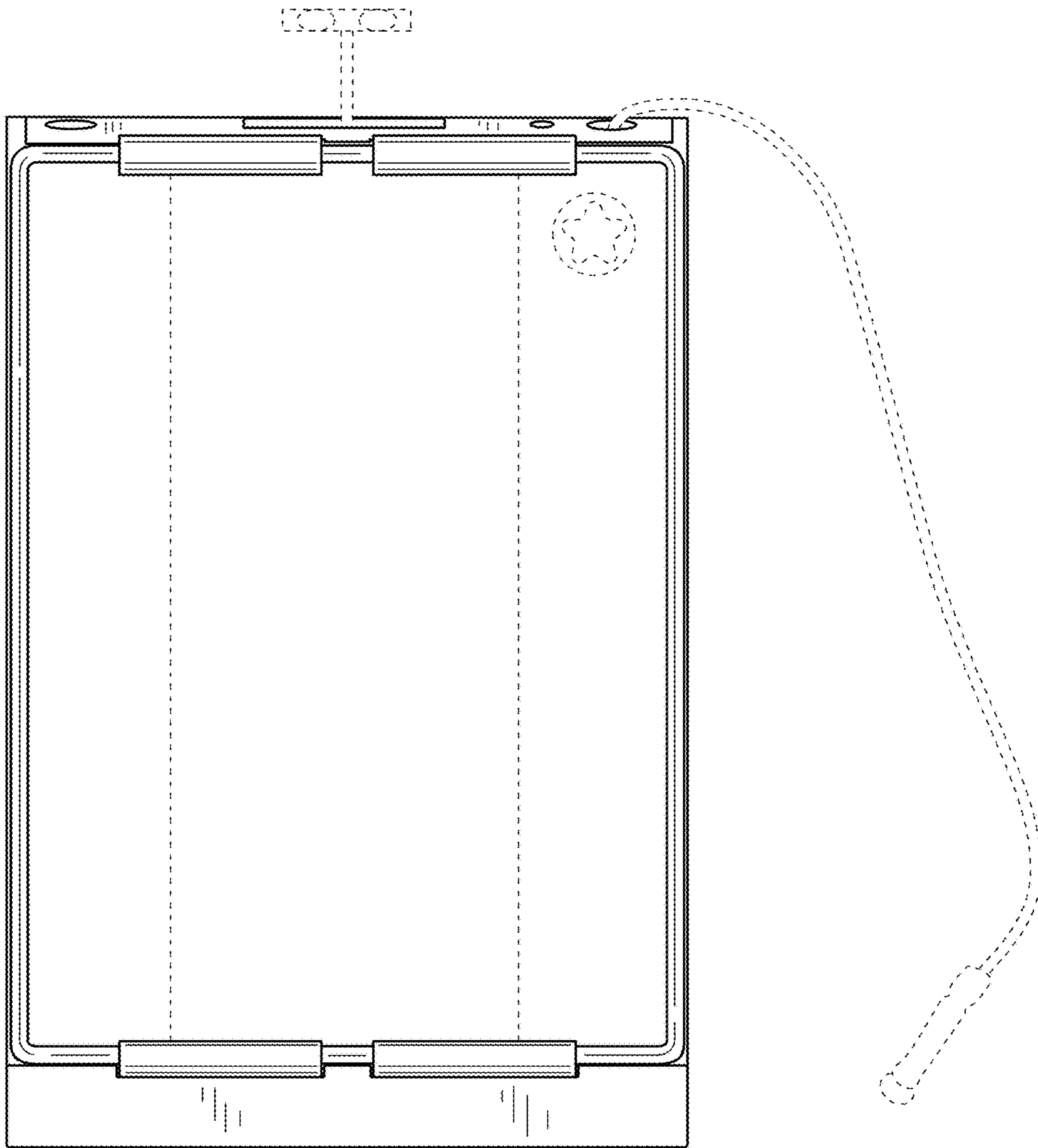


FIG.6

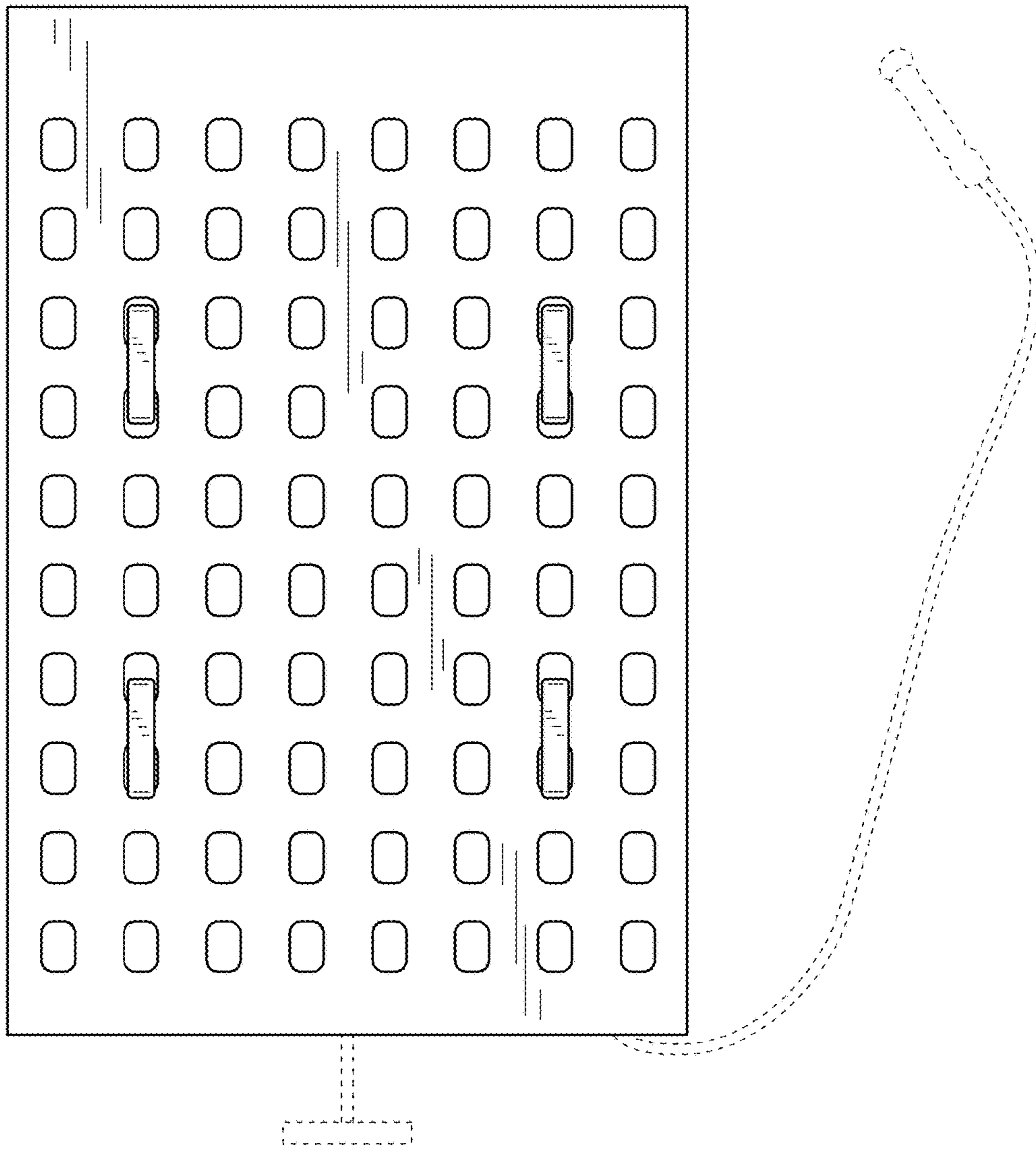


FIG.7