



US00D816009S

(12) **United States Design Patent**
Reynolds et al.

(10) **Patent No.:** **US D816,009 S**
(45) **Date of Patent:** **** Apr. 24, 2018**

(54) **ROLL CAGE**
(71) Applicant: **Pink Adventure Group, Inc.**, Houston,
TX (US)
(72) Inventors: **Joseph Reynolds**, Sedona, AZ (US);
Greg McCallum, Sedona, AZ (US);
Shawn Wendell, Sedona, AZ (US)
(73) Assignee: **Pink Adventure Group, Inc.**, Houston,
TX (US)

D655,668 S 3/2012 Levorato et al.
8,196,696 B2 * 6/2012 Karube B60G 3/20
180/311
D681,542 S 5/2013 Oliver
D761,713 S * 7/2016 Hensley D12/222
D781,207 S * 3/2017 Johnson D12/222
D783,502 S * 4/2017 Hensley D12/222
D783,503 S * 4/2017 Hensley D12/222
2010/0314191 A1 * 12/2010 Deckard B60N 2/01
180/312

(**) Term: **15 Years**

(21) Appl. No.: **29/577,536**

(22) Filed: **Sep. 13, 2016**

Related U.S. Application Data

(62) Division of application No. 29/504,218, filed on Oct.
2, 2014, now Pat. No. Des. 766,157.

(51) **LOC (11) Cl.** **12-06**

(52) **U.S. Cl.**
USPC **D12/222**

(58) **Field of Classification Search**
USPC D12/222, 223, 86, 400, 401, 404, 406,
D12/412, 414, 93, 101; D6/552
CPC B60R 27/00
See application file for complete search history.

(56) **References Cited**

U.S. PATENT DOCUMENTS

4,148,504 A 4/1979 Rushing
D257,673 S 12/1980 Milton
D399,476 S 10/1998 Duncan
D621,328 S 8/2010 Sistare et al.
D654,844 S 2/2012 Pinto et al.

OTHER PUBLICATIONS

Photographs of roll cage design taken Aug. 29, 2014.

* cited by examiner

Primary Examiner — Katrina A Betton
(74) *Attorney, Agent, or Firm* — IPTechLaw

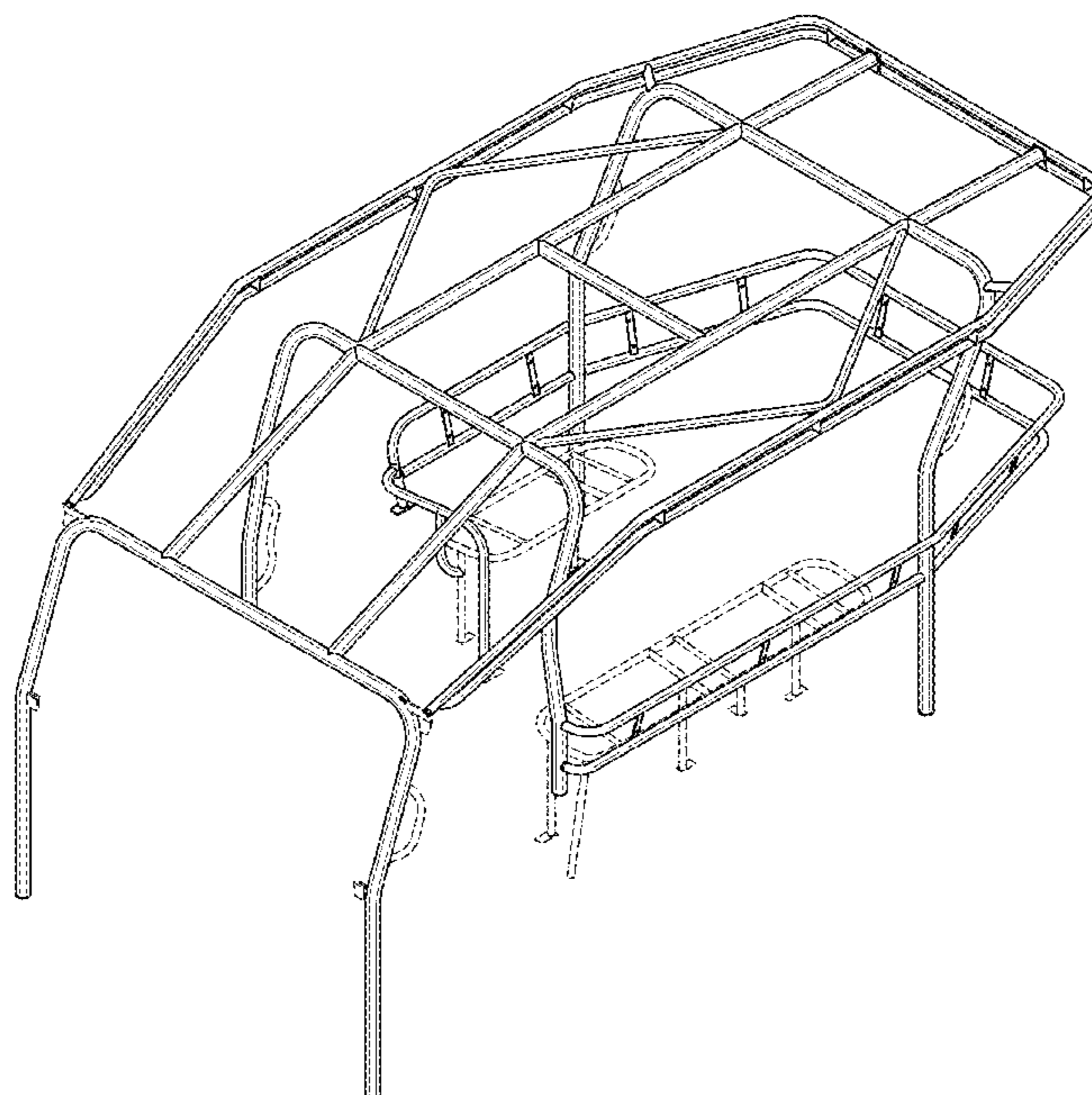
(57) **CLAIM**

The ornamental design for a roll cage, as shown and
described.

DESCRIPTION

FIG. 1 is perspective view of a roll cage;
FIG. 2 is a front view thereof;
FIG. 3 is a rear view thereof;
FIG. 4 is a right side view thereof;
FIG. 5 is a left side view thereof;
FIG. 6 is a top view thereof; and,
FIG. 7 is a bottom view thereof.
The broken line showing of FIGS. 1-7 is for the purpose of
illustrating environmental structure and portions of the
article to which the design is applied and forms no part of the
claimed design.

1 Claim, 6 Drawing Sheets



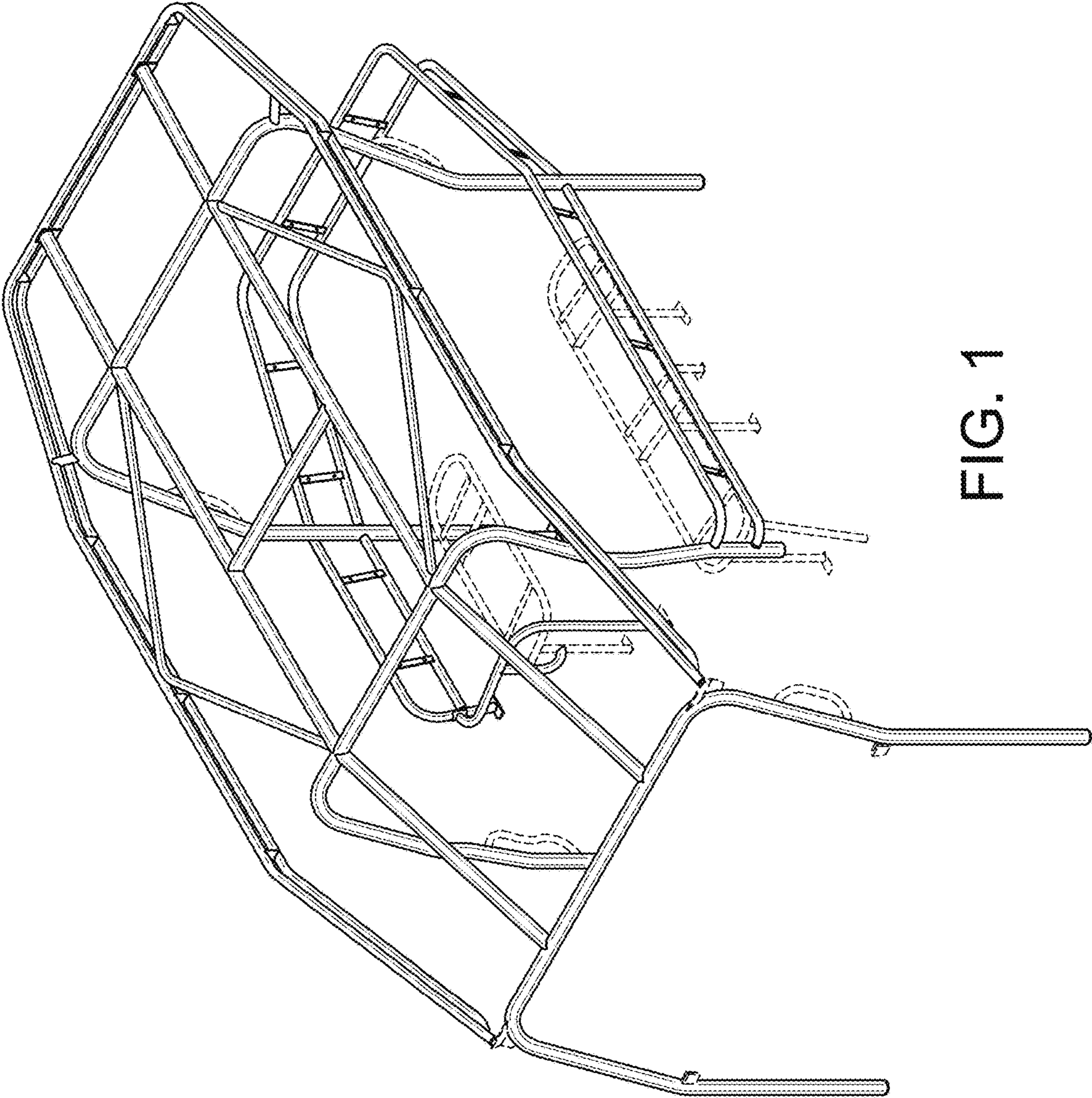


FIG. 1

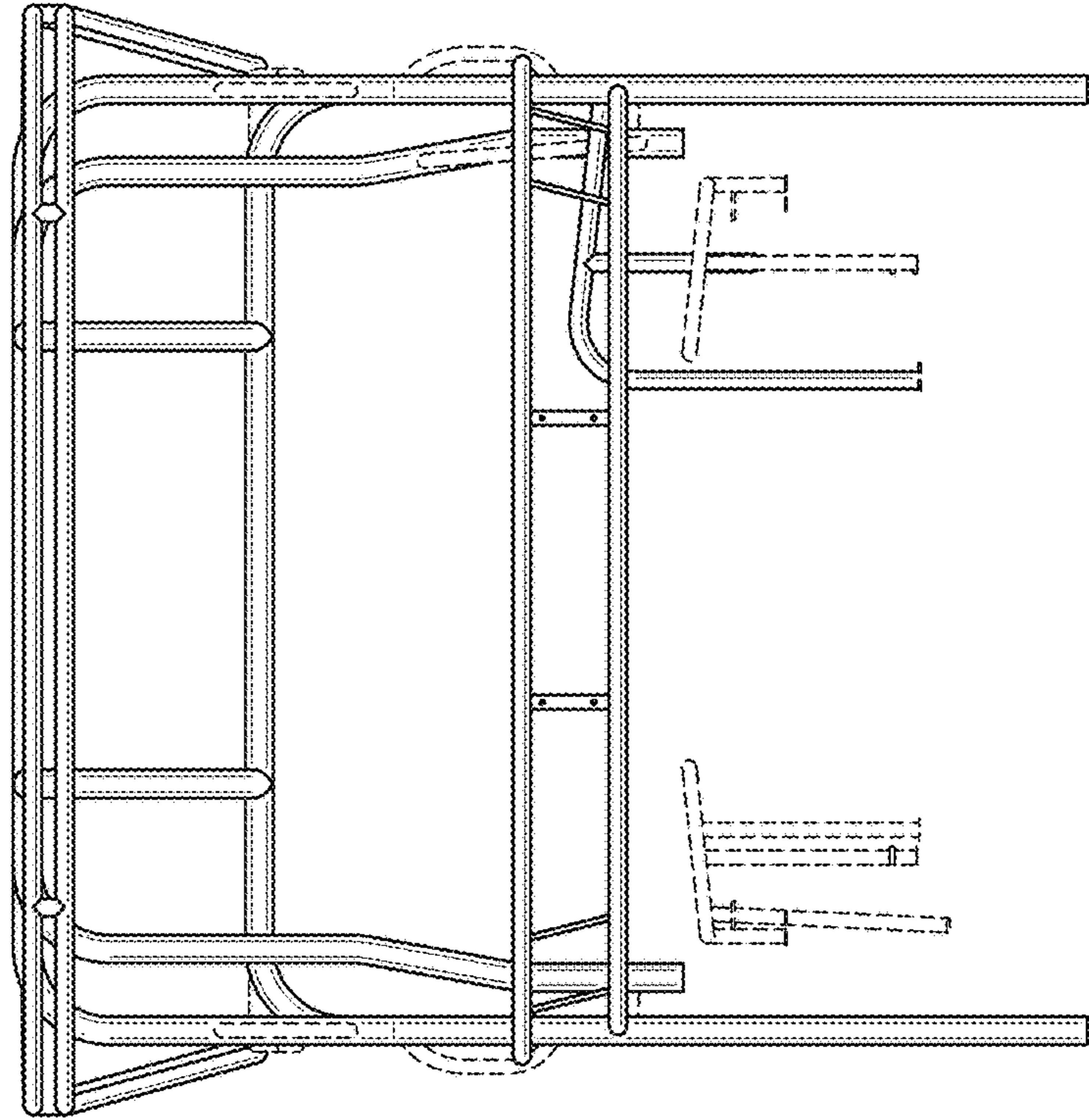


FIG. 3

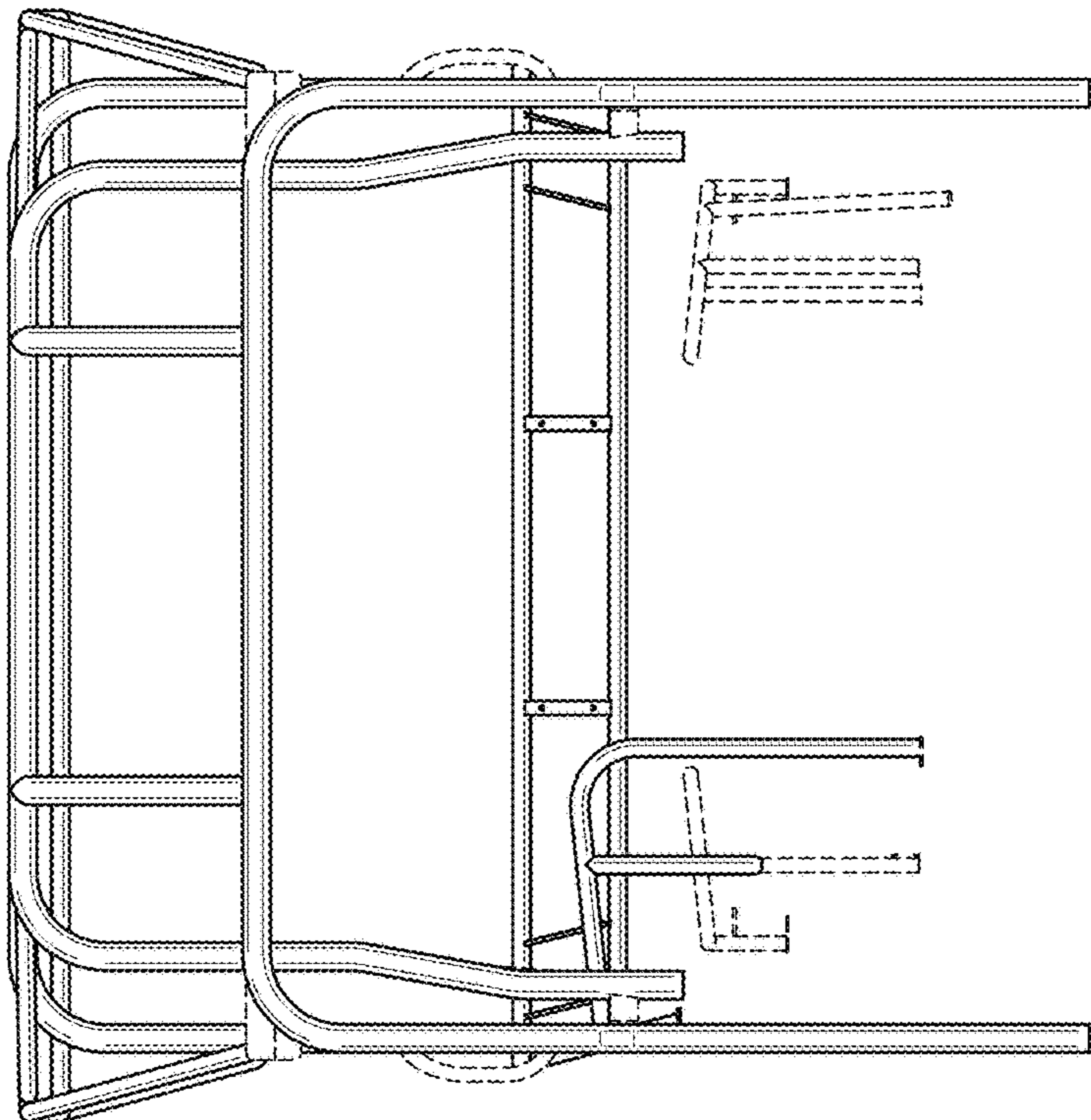


FIG. 2

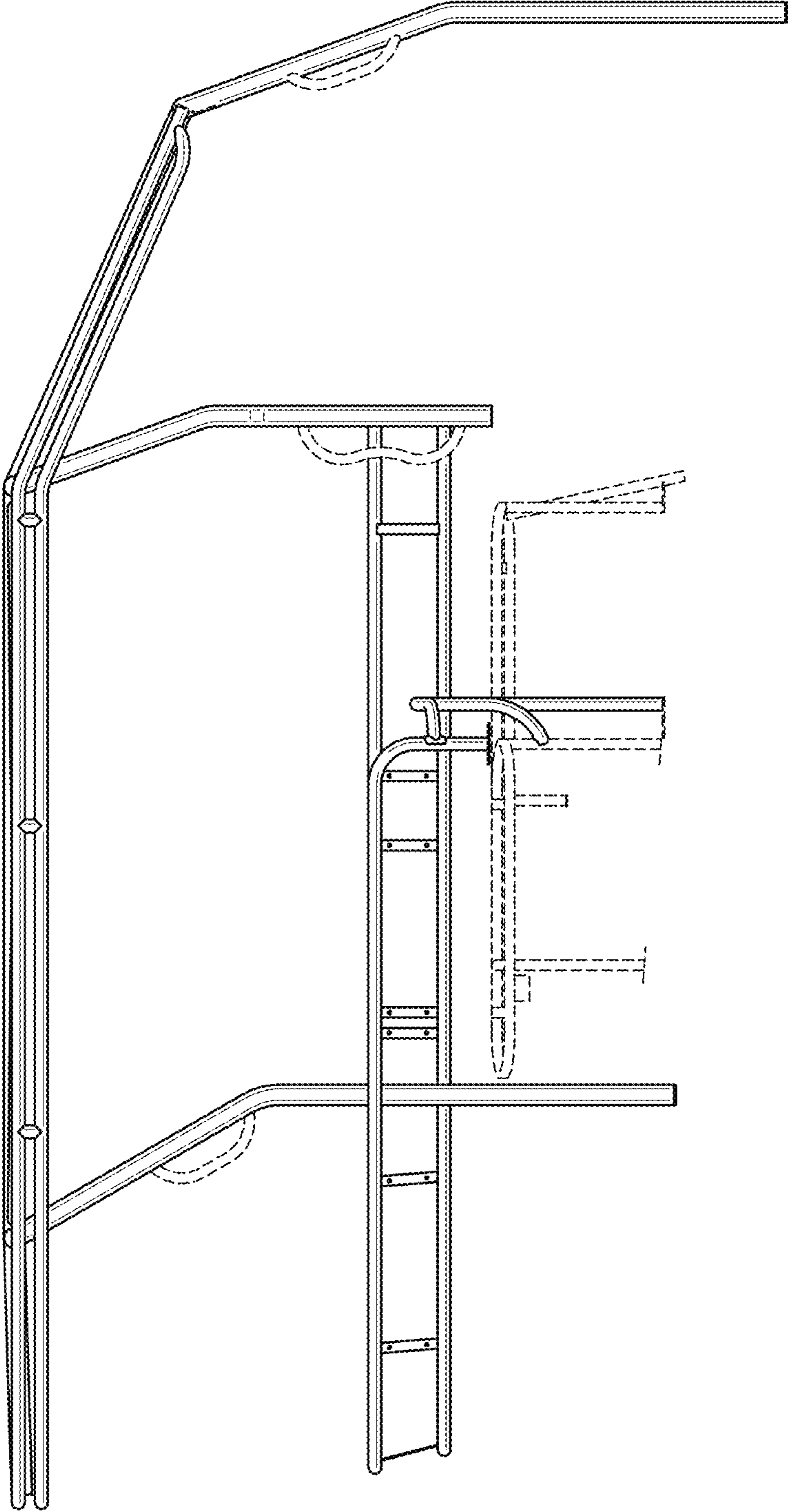


FIG. 4

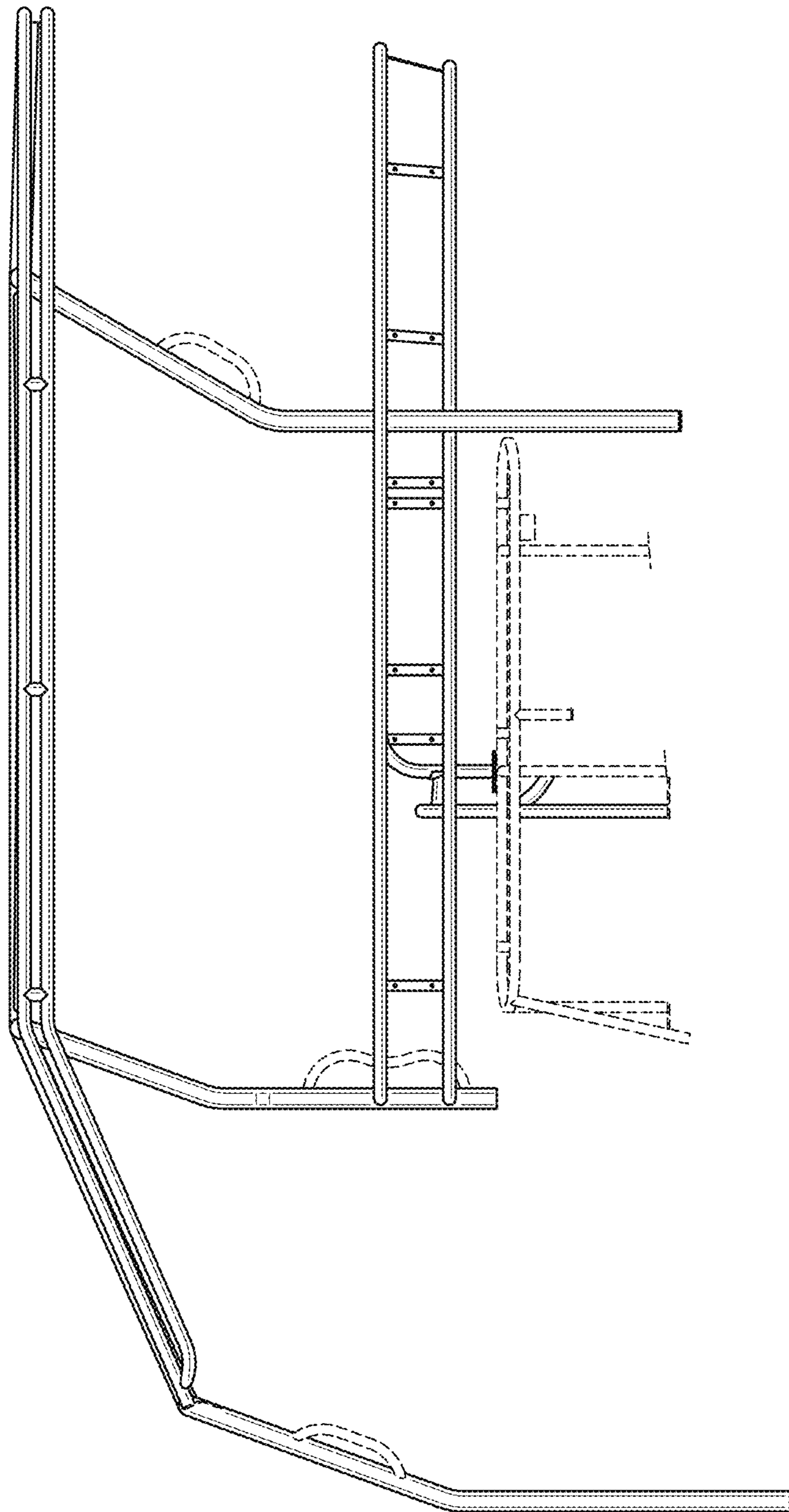


FIG. 5

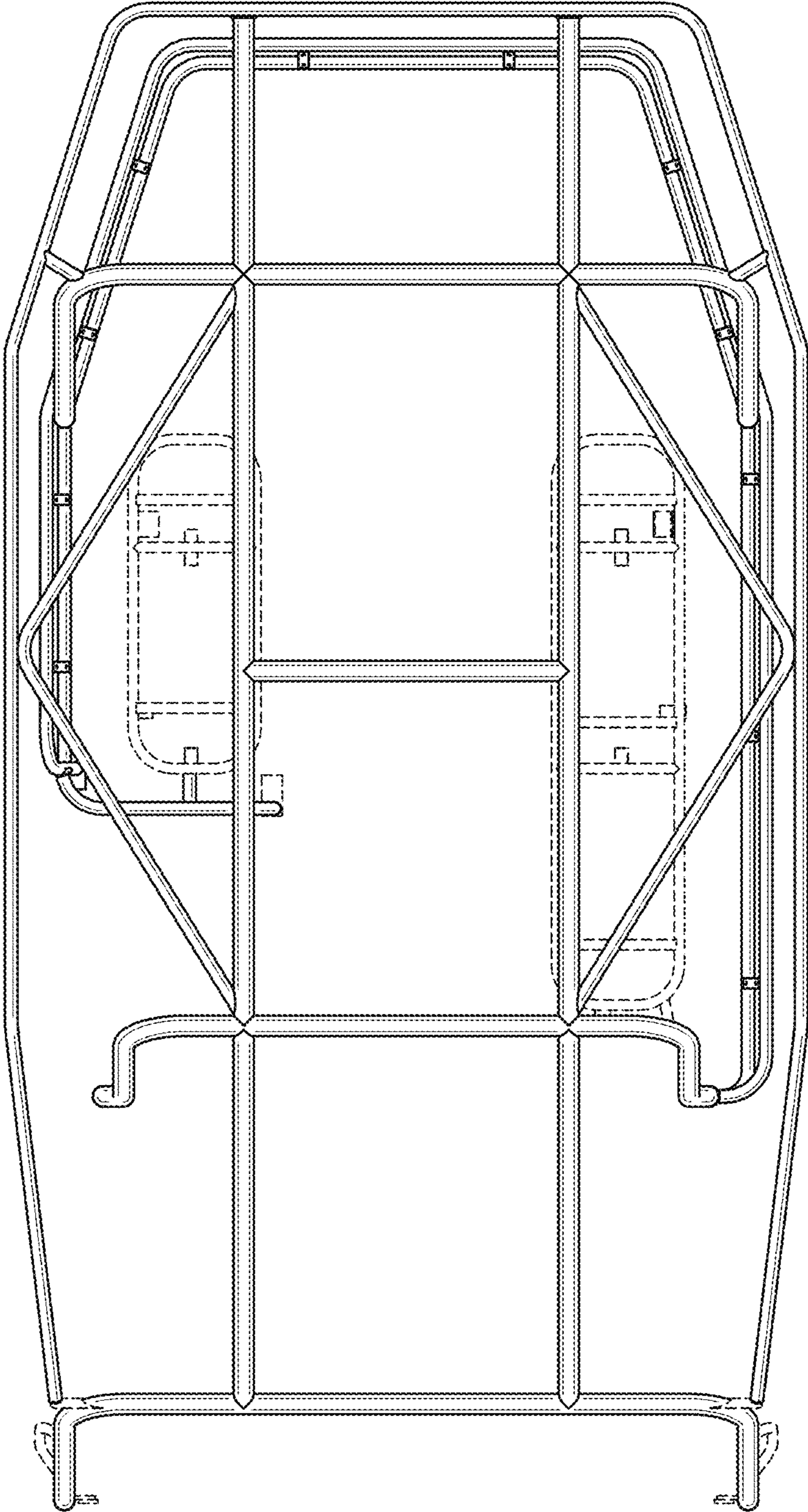


FIG. 6

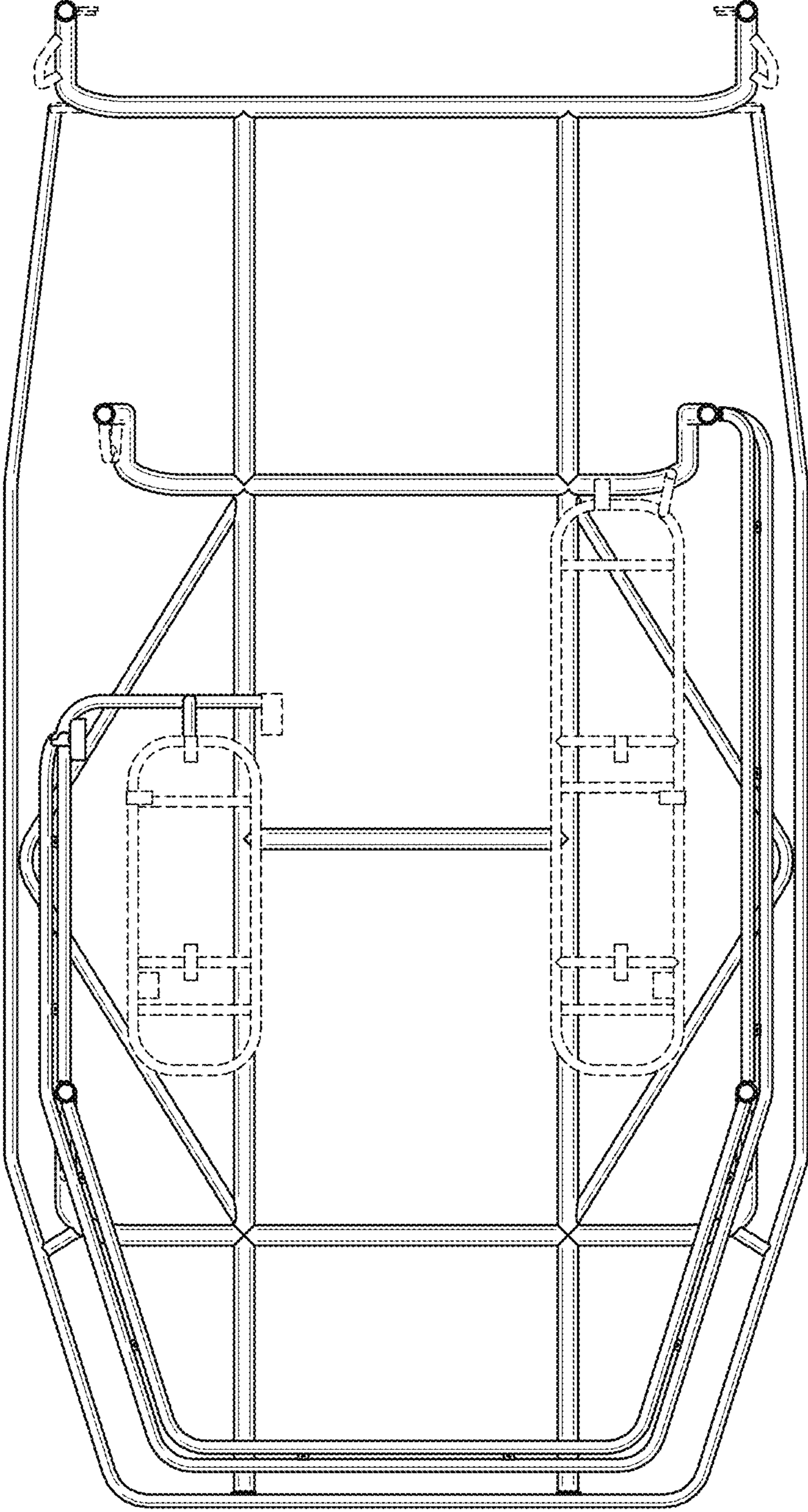


FIG. 7