



US00D816007S

(12) **United States Design Patent**
Lu

(10) **Patent No.:** **US D816,007 S**
(45) **Date of Patent:** **** Apr. 24, 2018**

(54) **VEHICLE FLOOR MAT**
(71) Applicant: **Packy Poda Inc.**, Tainan (TW)
(72) Inventor: **Michael Lu**, Tainan (TW)
(73) Assignee: **Packy Poda Inc.**, Tainan (TW)
(**) Term: **15 Years**

D659,623 S * 5/2012 Lu D12/203
D692,361 S * 10/2013 Lu D12/203
D701,155 S * 3/2014 Lu D12/203
D721,025 S * 1/2015 Lu D12/203
D766,798 S * 9/2016 Lu D12/203
D783,485 S * 4/2017 Lu D12/203
D799,392 S * 10/2017 Lu D12/203
D800,043 S * 10/2017 Alesi D12/203

* cited by examiner

(21) Appl. No.: **29/594,310**
(22) Filed: **Feb. 17, 2017**
(51) **LOC (11) Cl.** **12-16**
(52) **U.S. Cl.**
USPC **D12/203**
(58) **Field of Classification Search**
USPC D12/203, 221; D6/582-586, 592-594
CPC B60R 13/01; B60N 3/044; B60N 3/04
See application file for complete search history.

Primary Examiner — George D. Kirschbaum
Assistant Examiner — Clese Moore, Jr.
(74) *Attorney, Agent, or Firm* — Alan D. Kamrath;
Kamrath IP Lawfirm, P.A.

(57) **CLAIM**

The ornamental design for a vehicle floor mat, as shown and described.

DESCRIPTION

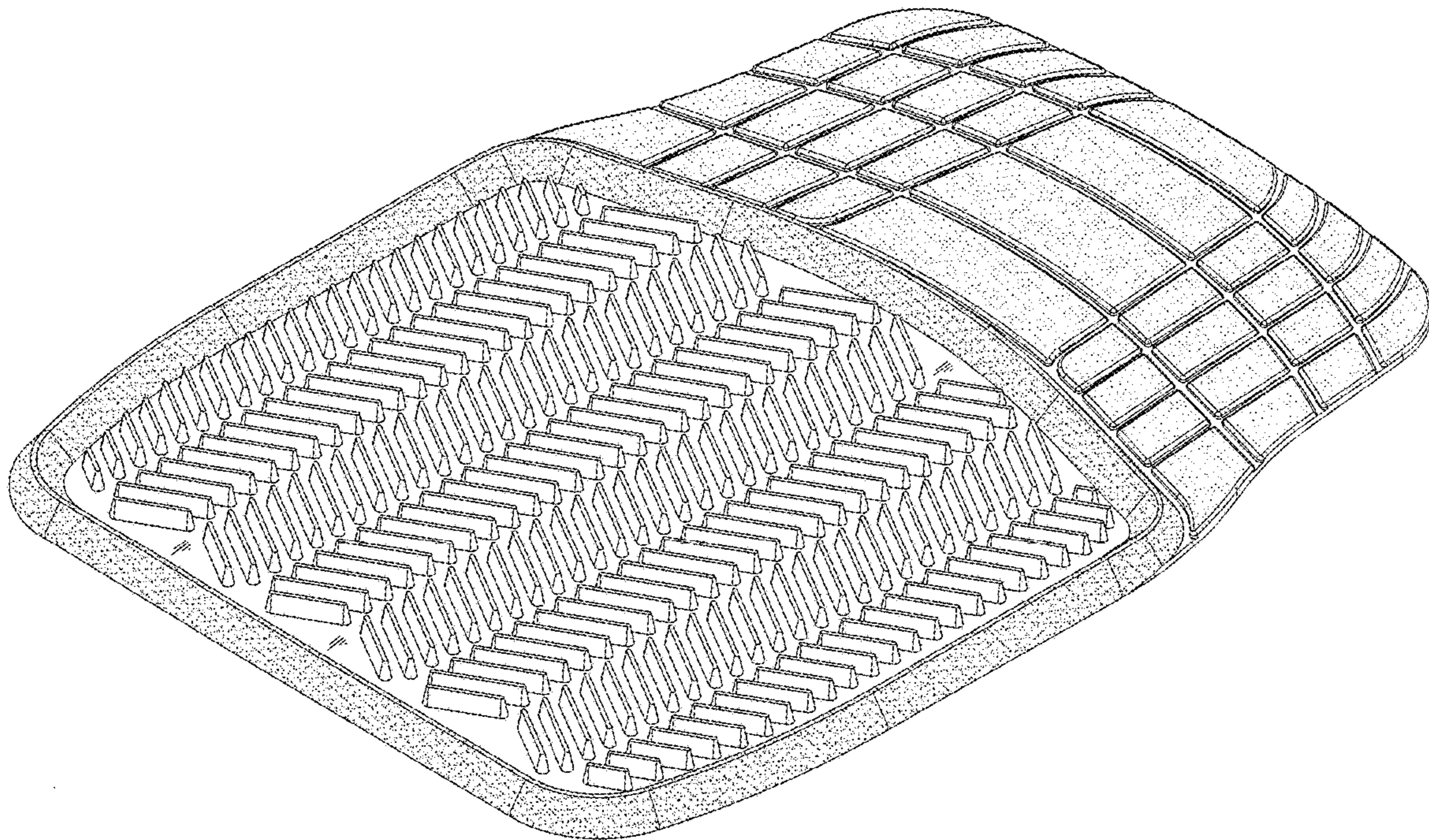
FIG. 1 is a perspective view of a vehicle floor mat showing my design;
FIG. 2 is a front elevational view thereof;
FIG. 3 is a rear elevational view thereof;
FIG. 4 is a left side elevational view thereof;
FIG. 5 is a right side elevational view thereof;
FIG. 6 is a top plan view thereof; and,
FIG. 7 is a bottom plan view thereof.

(56) **References Cited**

U.S. PATENT DOCUMENTS

D604,219 S * 11/2009 Lu D12/203
D608,709 S * 1/2010 Masanek, Jr. D12/203
D633,425 S * 3/2011 Lu D12/203
D636,714 S * 4/2011 Lu D12/203
D647,446 S * 10/2011 Jeackjuntra D12/203
D650,730 S * 12/2011 Jeackjuntra D12/203

1 Claim, 5 Drawing Sheets



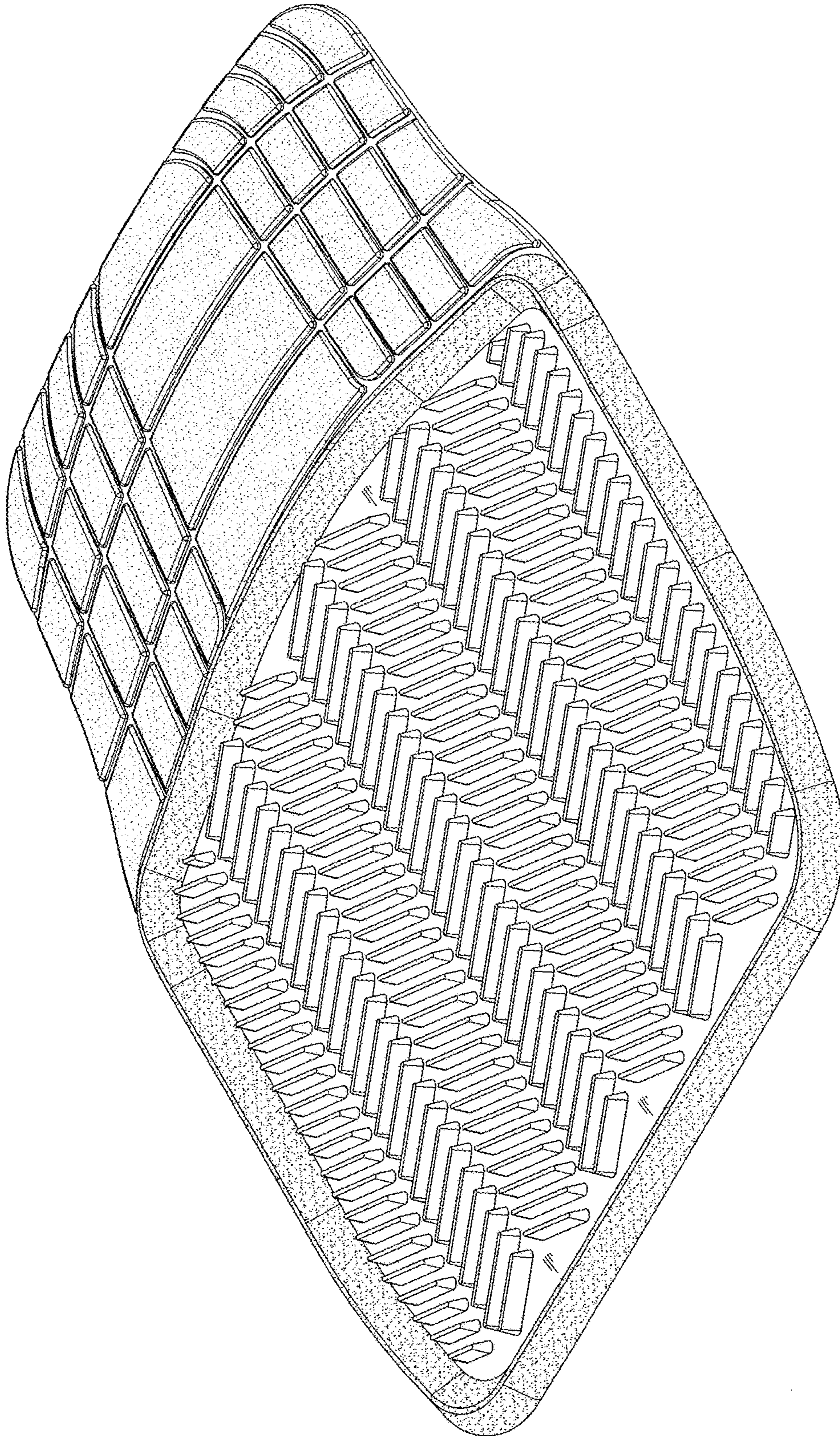


FIG. 1



FIG. 2



FIG. 3



FIG. 4



FIG. 5

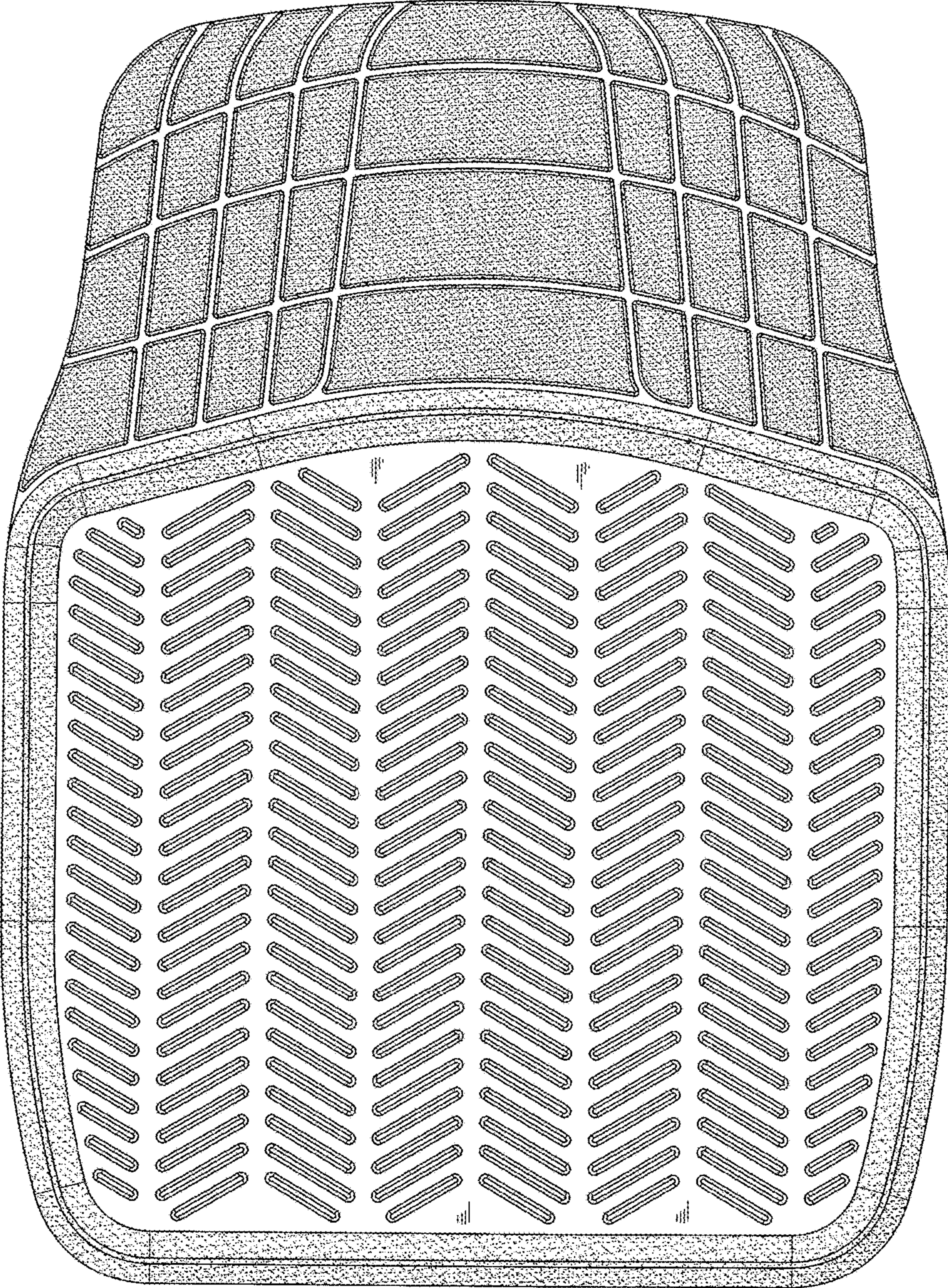


FIG. 6

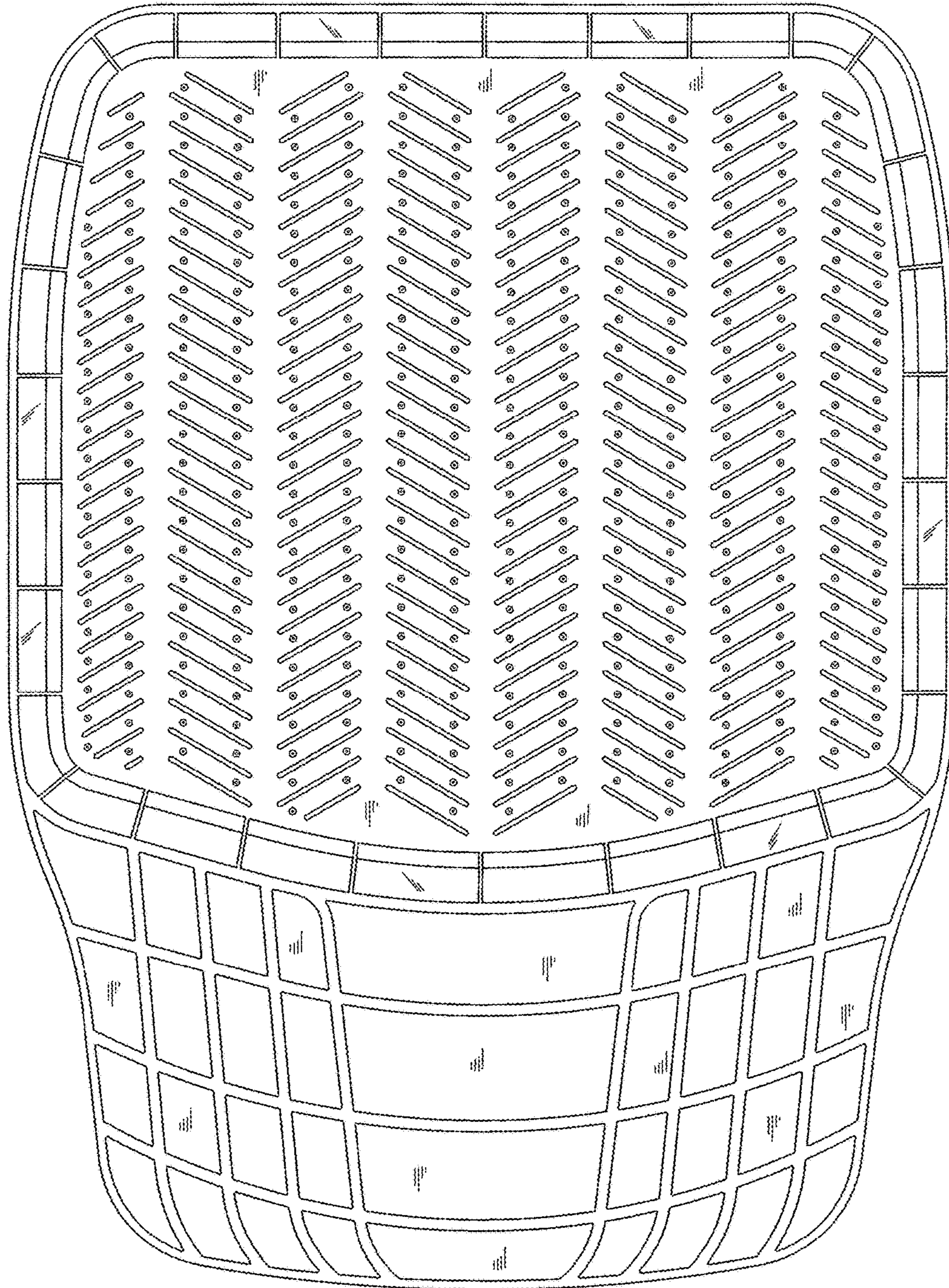


FIG. 7