



US00D816004S

(12) **United States Design Patent**
Milton et al.

(10) **Patent No.:** **US D816,004 S**
(45) **Date of Patent:** **** Apr. 24, 2018**

(54) **SIDE DOOR**

(71) Applicant: **Bluegentech LLC**, Salt Lake City, UT
(US)

(72) Inventors: **Trevor R. Milton**, Salt Lake City, UT
(US); **Steve Jennes**, Fullerton, CA (US)

(73) Assignee: **Nikola Corporation**, Salt Lake City,
UT (US)

(**) Term: **15 Years**

(21) Appl. No.: **29/550,180**

(22) Filed: **Dec. 30, 2015**

(51) **LOC (11) Cl.** **12-16**

(52) **U.S. Cl.**
USPC **D12/196**

(58) **Field of Classification Search**
USPC D12/190, 192, 196, 83, 90-92, 163, 164,
D12/167, 169, 171, 181, 216
CPC B62D 24/00; B62D 24/02; B62D 25/02;
B62D 25/18; B62D 25/08; B62D 35/00;
B60J 5/04; B60R 19/02; B60R 19/04
See application file for complete search history.

(56) **References Cited**

U.S. PATENT DOCUMENTS

D315,329 S * 3/1991 Tisten D12/196
D410,415 S * 6/1999 Schroeder D12/99

D443,574 S * 6/2001 Lian D12/196
D498,193 S * 11/2004 Metros D12/196
D682,172 S * 5/2013 Peltola D12/196
D702,170 S * 4/2014 Ito D12/196
D765,013 S * 8/2016 Hindelang D12/401

* cited by examiner

Primary Examiner — Daniel D Bui

Assistant Examiner — Andrew Kerr

(74) *Attorney, Agent, or Firm* — Terrence J. Edwards;
TechLaw Ventures, PLLC

(57) **CLAIM**

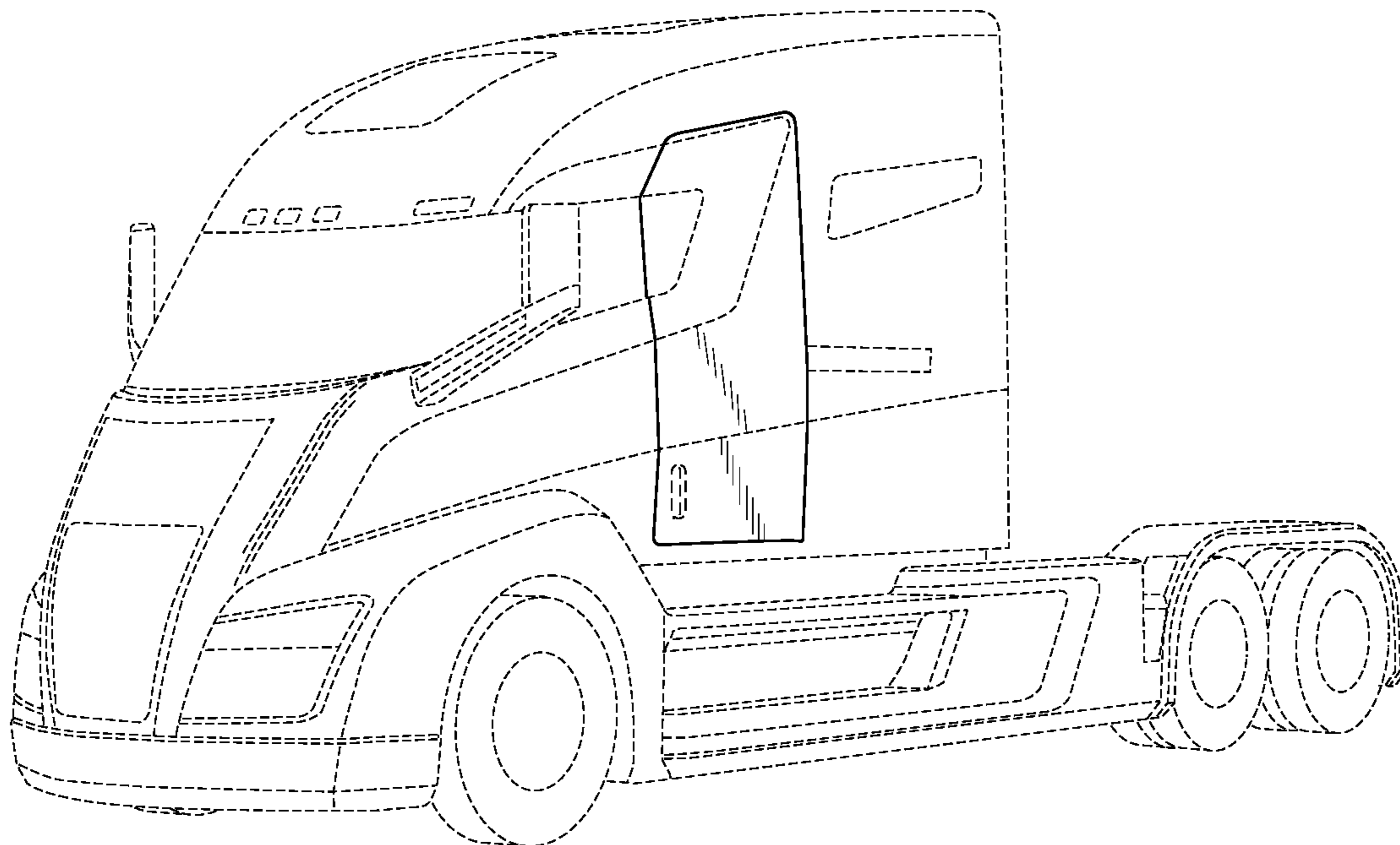
We claim the ornamental design for a side door, as shown
and described.

DESCRIPTION

FIG. 1 is a perspective view of a side door, showing our new
design;
FIG. 2 is a top view thereof;
FIG. 3 is a side view thereof;
FIG. 4 is another side view thereof; and,
FIG. 5 is a front view thereof.

The broken lines in the drawing views represent unclaimed
portions of a side door, which are included for the purpose
of illustrating unclaimed environment only, and forms no
part of the claimed design.

1 Claim, 5 Drawing Sheets



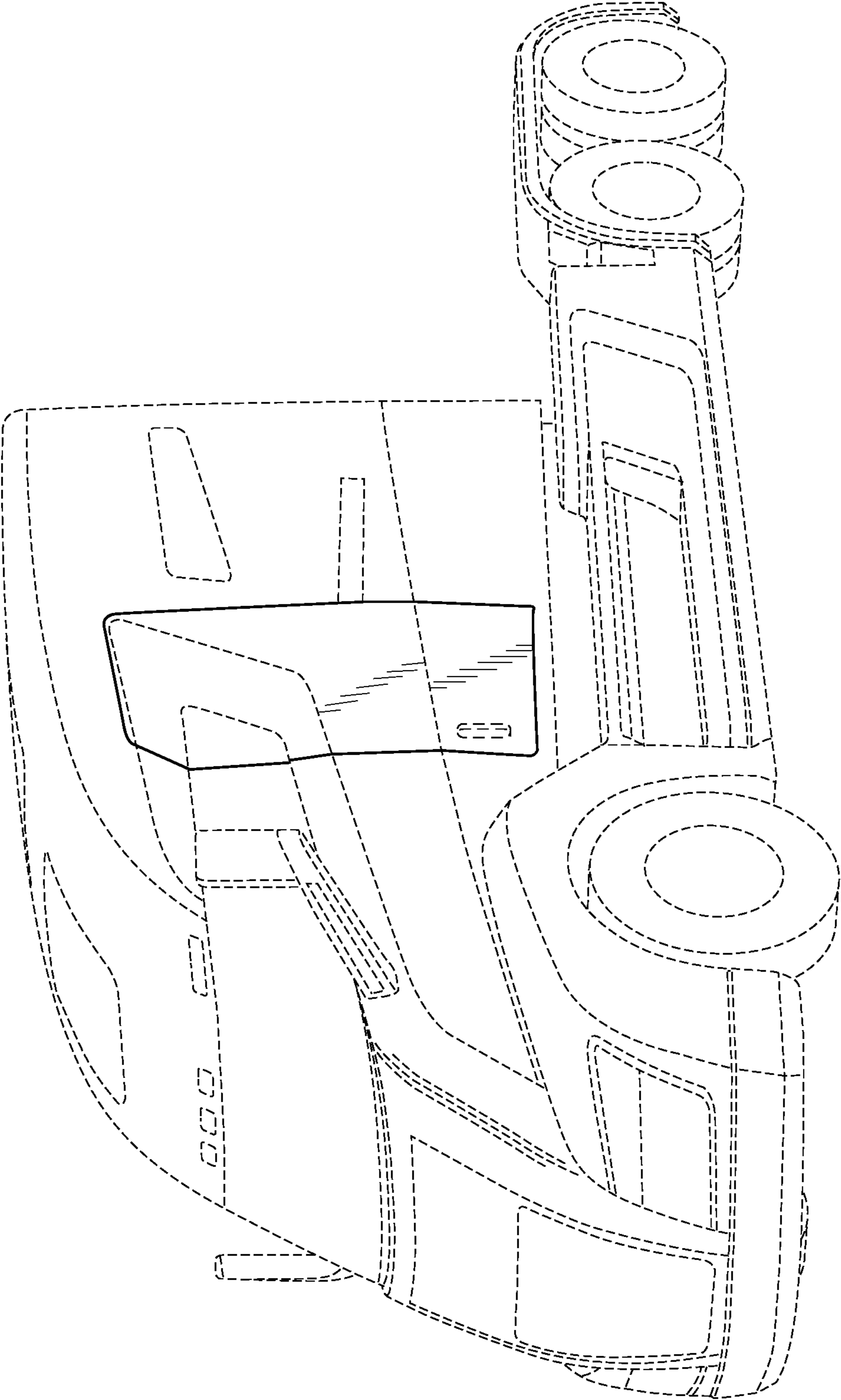


FIG. 1

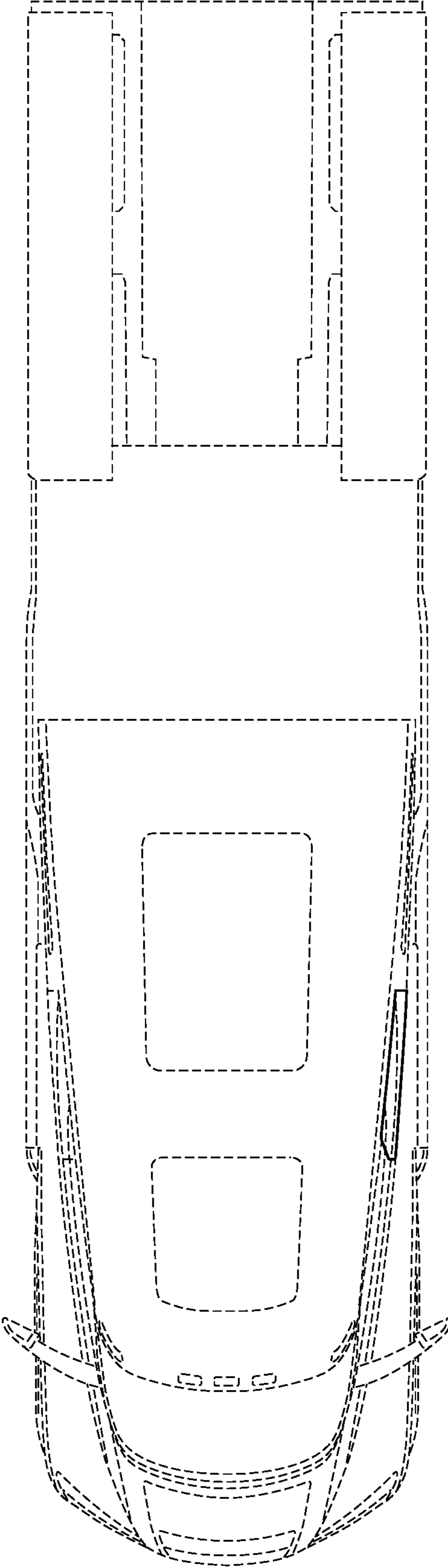


FIG. 2

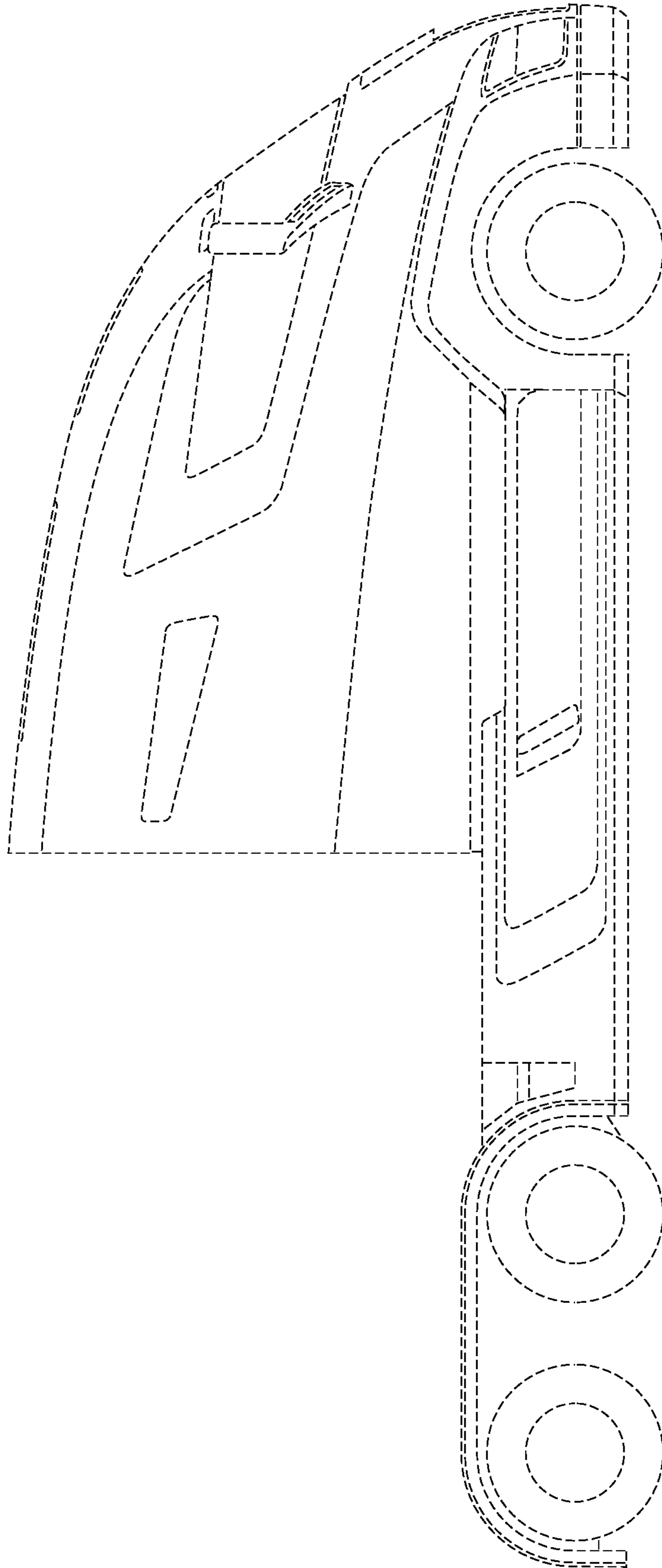


FIG. 3

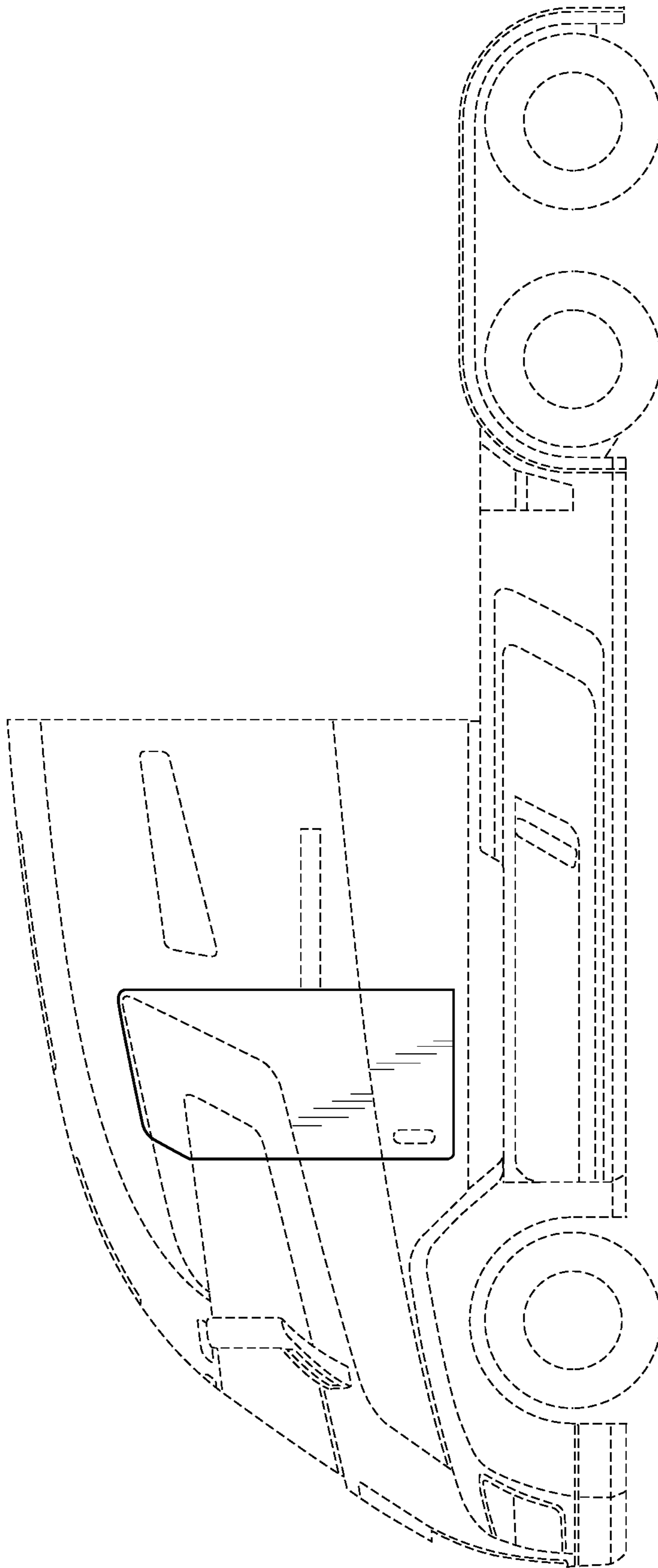


FIG. 4

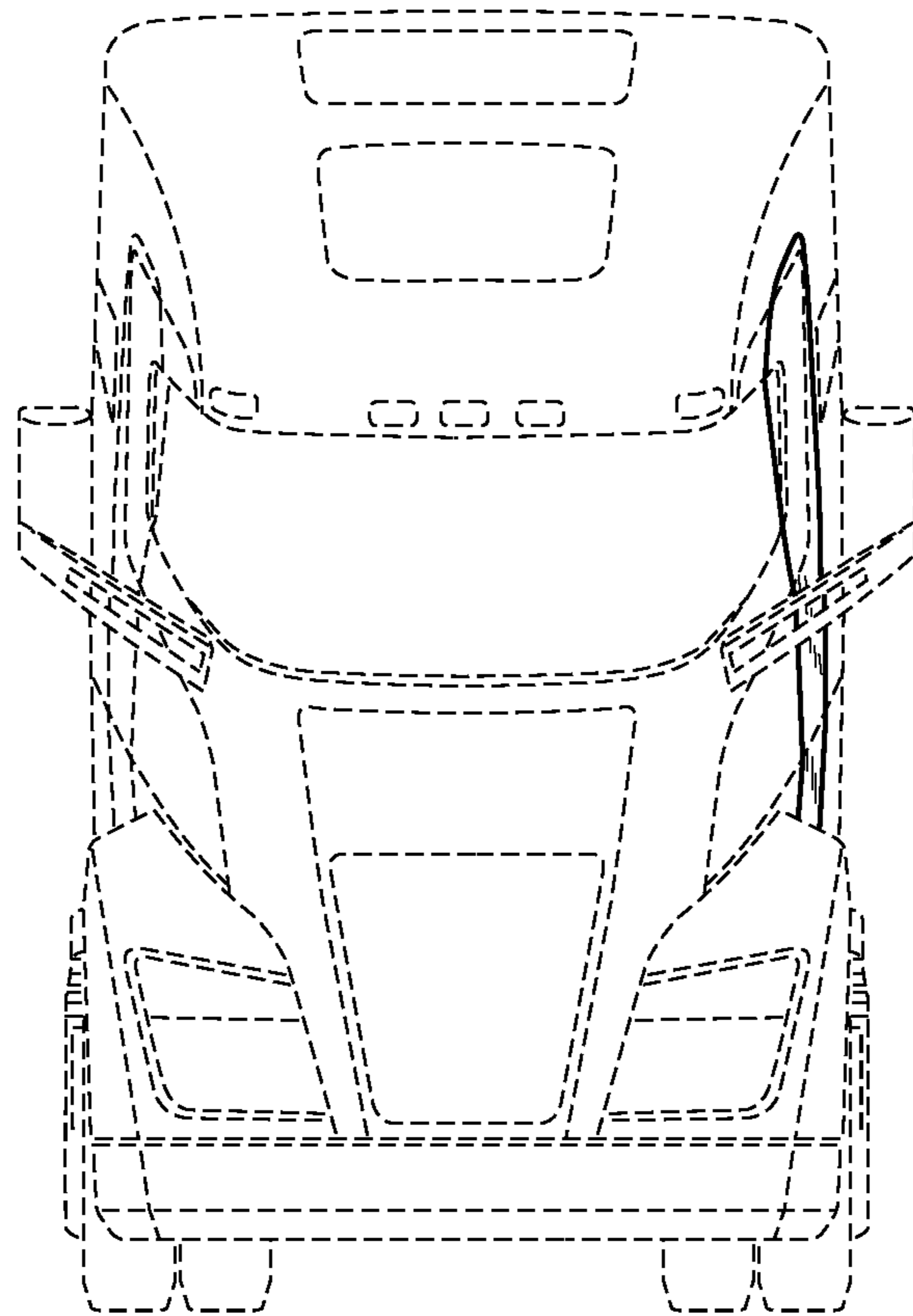


FIG. 5