



US00D816002S

(12) **United States Design Patent** (10) **Patent No.:** **US D816,002 S**  
**Crippa et al.** (45) **Date of Patent:** **\*\* Apr. 24, 2018**

(54) **DISC BRAKE CALIPER**  
 (71) Applicant: **FRENI BREMBO S.P.A.**, Curno (IT)  
 (72) Inventors: **Cristian Crippa**, Bergamo (IT);  
**Adrian Bonetti**, Bergamo (IT); **Alfredo Epis**, Bergamo (IT)  
 (73) Assignee: **Freni Brembo S.p.A.**, Curno (IT)  
 (\*\*) Term: **15 Years**  
 (21) Appl. No.: **35/501,409**  
 (22) Filed: **May 17, 2016**

D520,924 S 5/2006 Gotti et al.  
 D522,420 S 6/2006 Crippa et al.  
 D522,421 S 6/2006 Crippa et al.  
 D523,794 S 6/2006 Strumbo et al.  
 D555,555 S \* 11/2007 Ikuzawa ..... D12/180  
 D556,103 S \* 11/2007 Morimoto ..... D12/180  
 D588,513 S \* 3/2009 Crippa ..... D12/180  
 D600,613 S 9/2009 Jungmann et al.  
 D607,793 S \* 1/2010 Maroni ..... D12/180  
 D610,059 S \* 2/2010 Azimonti ..... D12/180  
 D610,507 S \* 2/2010 Azimonti ..... D12/180  
 D619,063 S \* 7/2010 Veneziano ..... D12/180  
 D623,102 S \* 9/2010 Gherardi ..... D12/180  
 D642,100 S \* 7/2011 Crippa ..... D12/180  
 D692,356 S 10/2013 Owen et al.  
 D700,551 S \* 3/2014 Davenport, III ..... D12/180  
 D739,319 S \* 9/2015 Montgomery ..... D12/180  
 D785,520 S \* 5/2017 Bonetti ..... D12/180

(Continued)

(80) **Hague Agreement Data**  
 Int. Filing Date: **May 17, 2016**  
 Int. Reg. No.: **DM/092003**  
 Int. Reg. Date: **May 17, 2016**  
 Int. Reg. Pub. Date: **Aug. 19, 2016**

*Primary Examiner* — Michael A Pratt  
 (74) *Attorney, Agent, or Firm* — Thomas I Horstemeyer, LLP

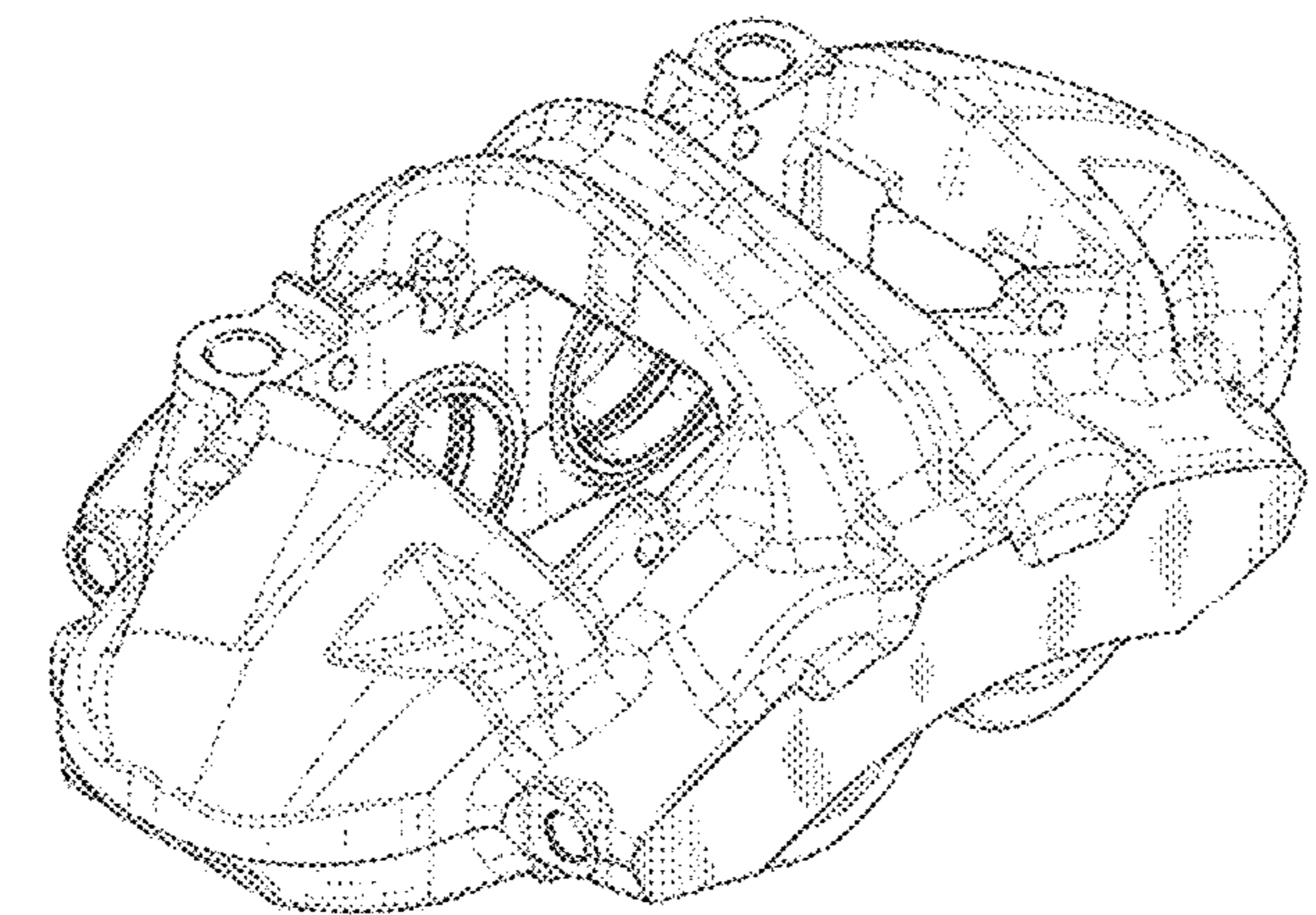
(30) **Foreign Application Priority Data**  
 Nov. 17, 2015 (IT) ..... 402015000073434  
 (51) **LOC (11) Cl.** ..... **12-16**  
 (52) **U.S. Cl.**  
 USPC ..... **D12/180**  
 (58) **Field of Classification Search**  
 USPC ..... D12/180  
 CPC .... B60T 13/686; B60T 13/588; B60T 8/4077;  
 B60T 13/142; B60T 13/585; B60T 13/745  
 See application file for complete search history.

(57) **CLAIM**  
 The ornamental design for a disc brake caliper, as shown and described.

(56) **References Cited**  
 U.S. PATENT DOCUMENTS  
 D373,340 S 9/1996 Sands  
 D442,900 S 5/2001 Separautzki  
 D506,714 S 6/2005 Ono  
 D508,000 S 8/2005 Schorn et al.  
 D512,352 S 12/2005 Veneziano et al.

**DESCRIPTION**  
 1.1 is a perspective view of a disc brake caliper showing our new design;  
 1.2 is another perspective view thereof, at a different angle than 1.1;  
 1.3 is another perspective view thereof, at a different angle than 1.1 and 1.2;  
 1.4 is another perspective view thereof, at a different angle than 1.1-1.3;  
 1.5 is a side view thereof;  
 1.6 is another side view thereof, opposite that of 1.5;  
 1.7 is a top view thereof;  
 1.8 is an end view thereof; and  
 1.9 is another end view thereof, opposite that of 1.8.

**1 Claim, 9 Drawing Sheets**



(56)

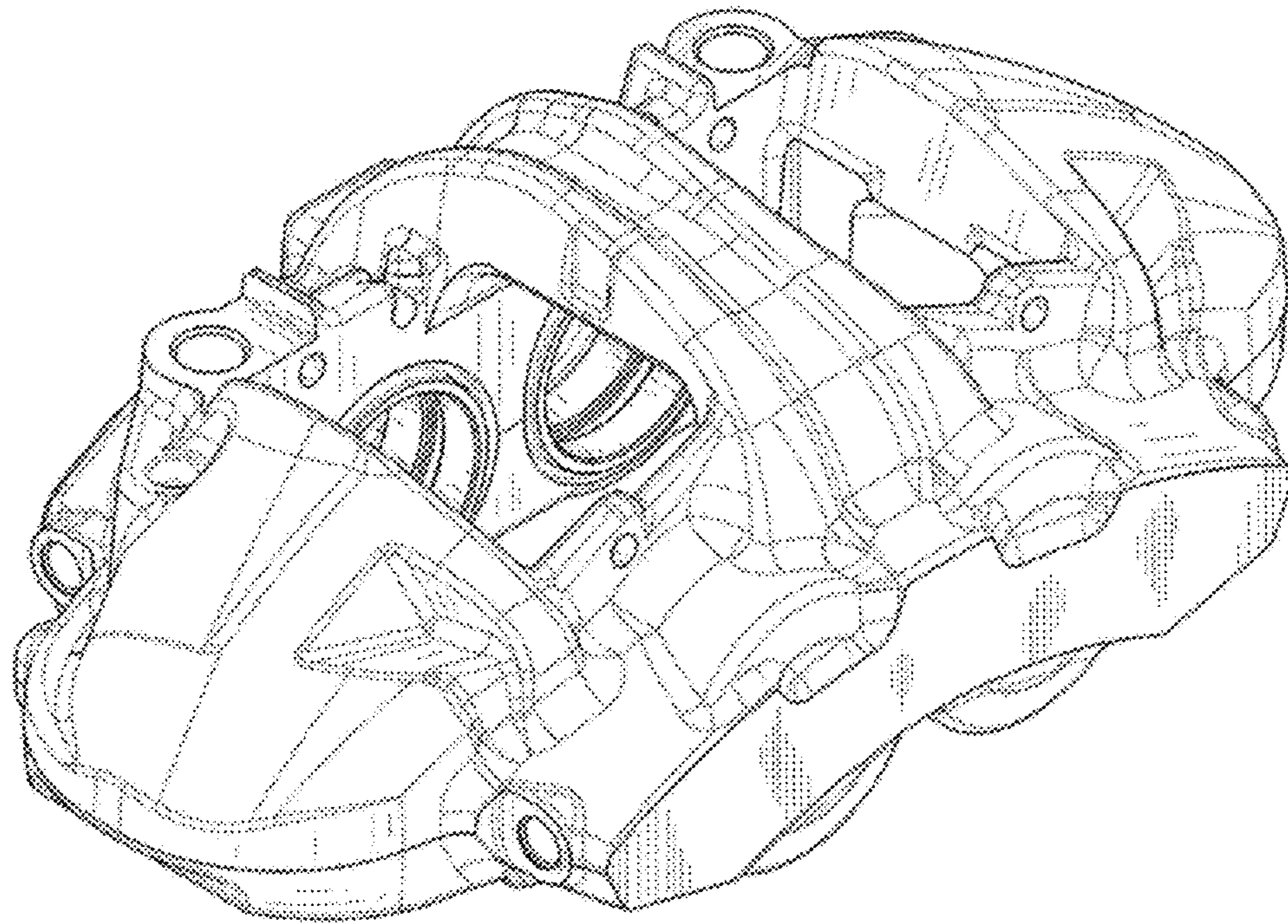
**References Cited**

U.S. PATENT DOCUMENTS

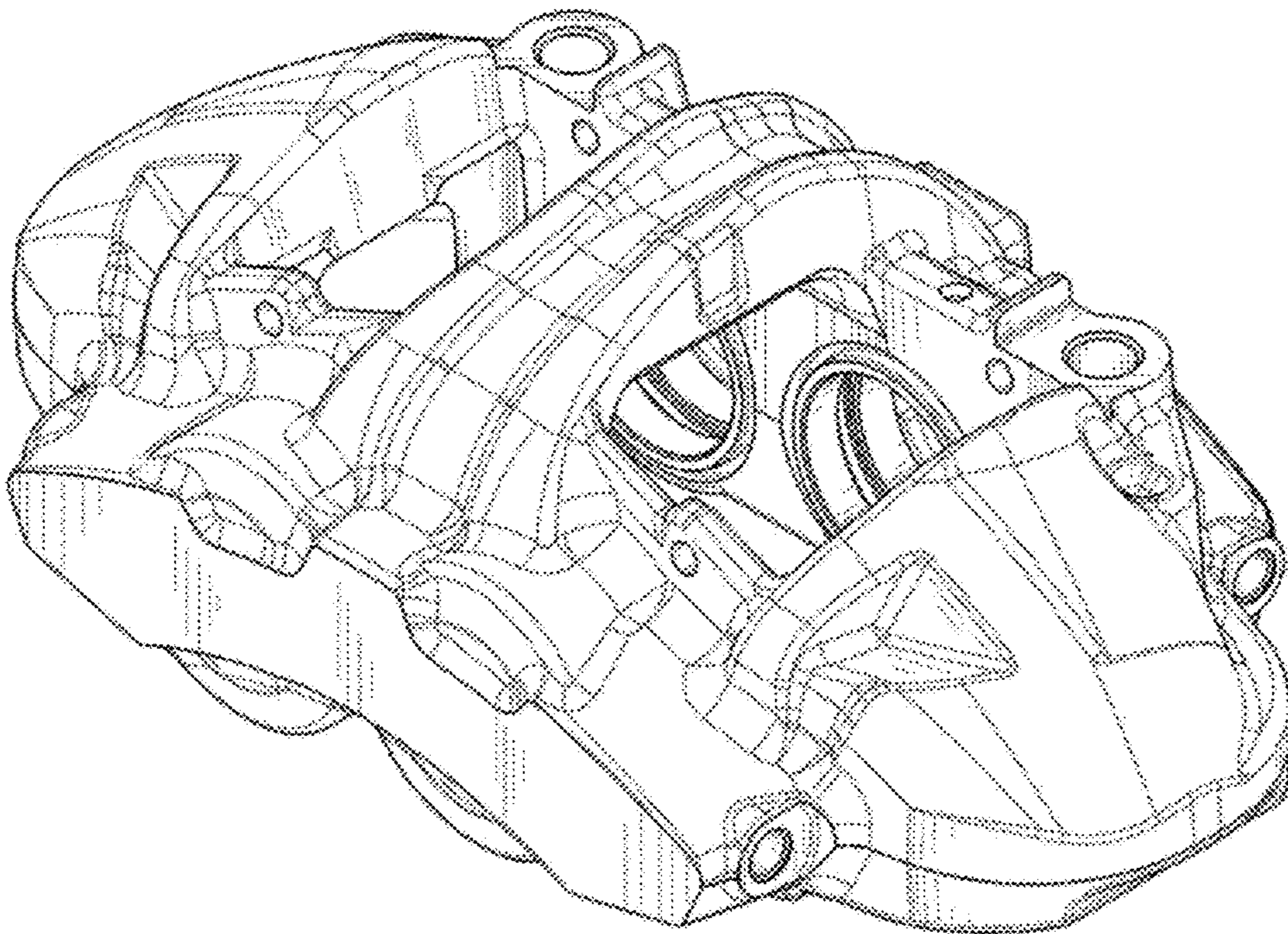
9,657,789	B2	5/2017	Castellana et al.	
D790,417	S *	6/2017	Bertone .....	D12/180
2013/0092481	A1	4/2013	Crippa et al.	
2015/0021124	A1	1/2015	Preda et al.	
2015/0027821	A1	1/2015	Nessi et al.	
2016/0003315	A1	1/2016	Crippa et al.	
2016/0053835	A1	2/2016	Castellana et al.	

\* cited by examiner

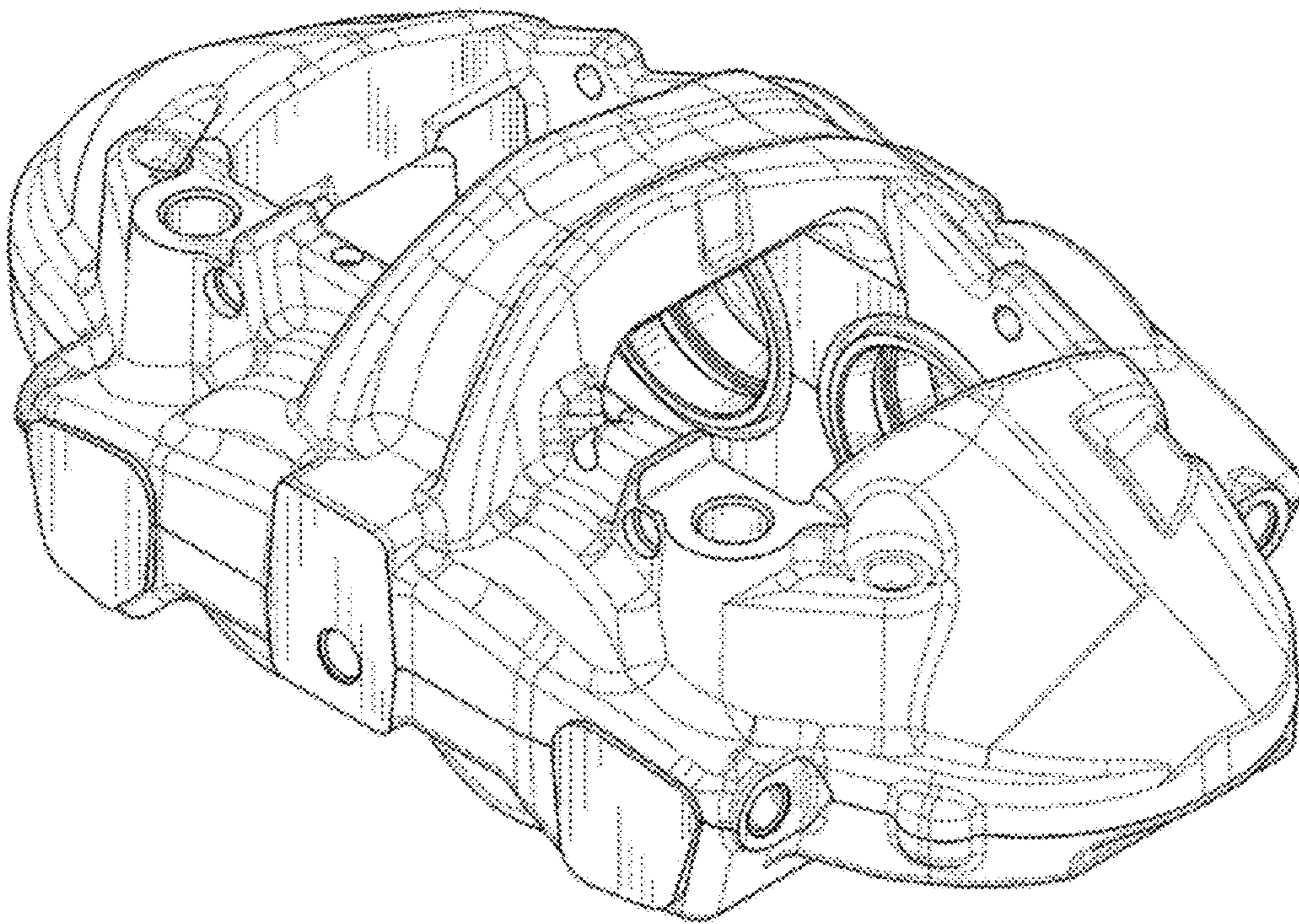
1.1



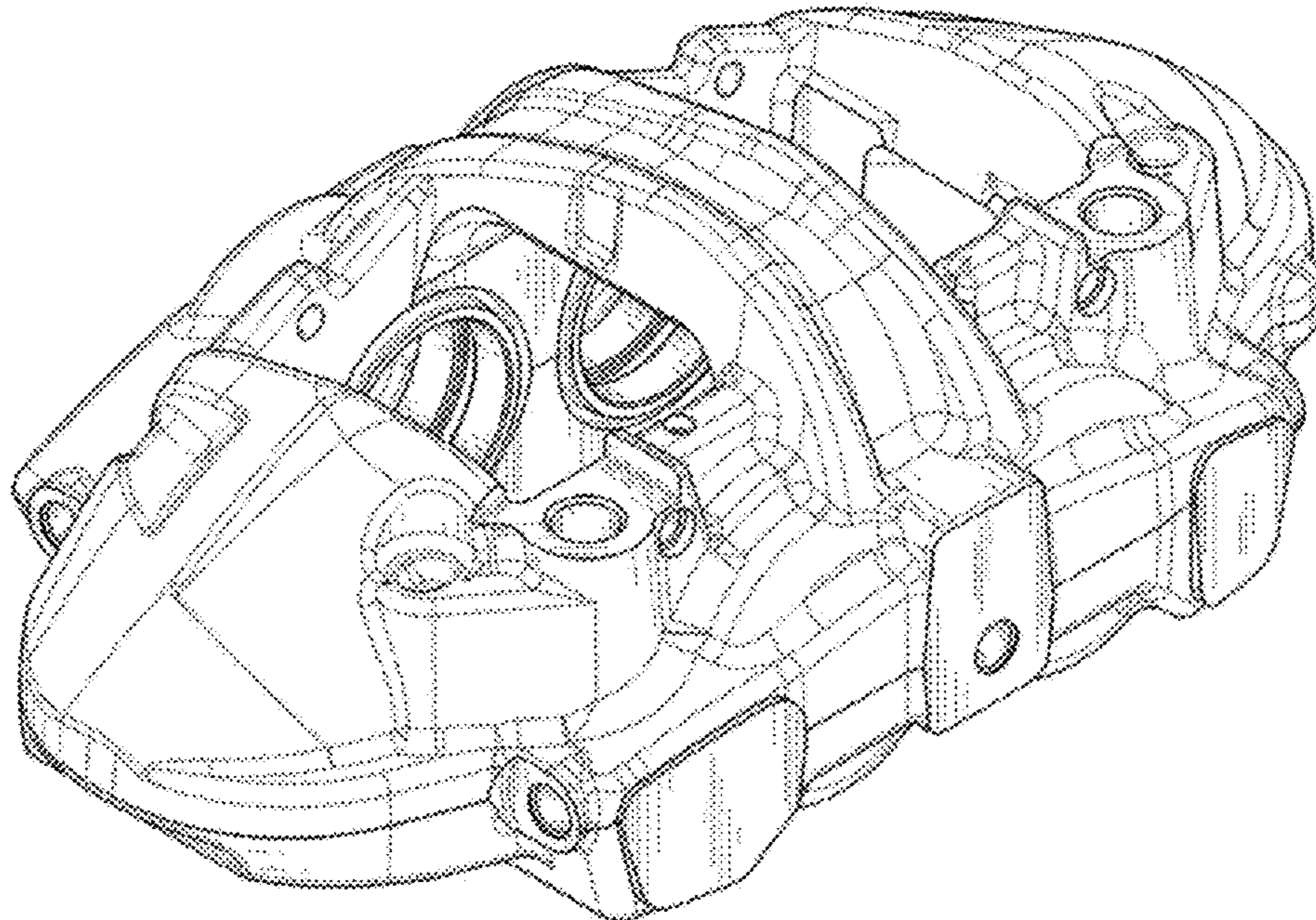
1.2



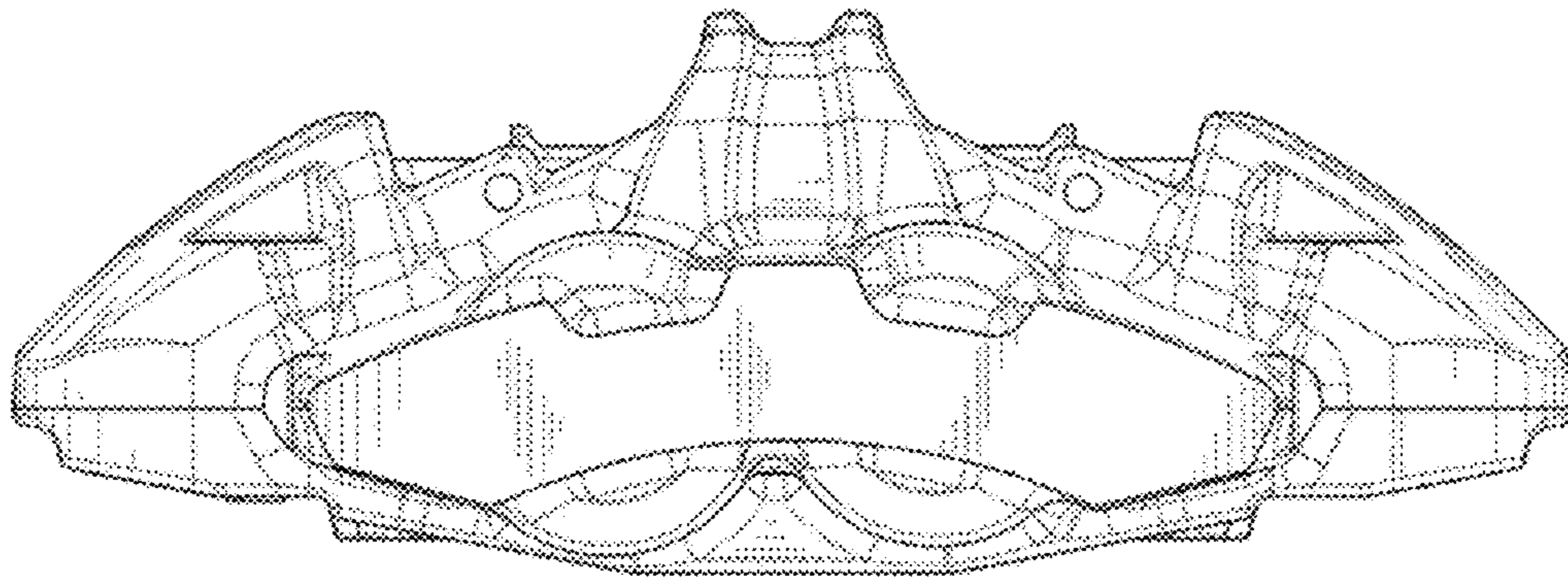
1.3



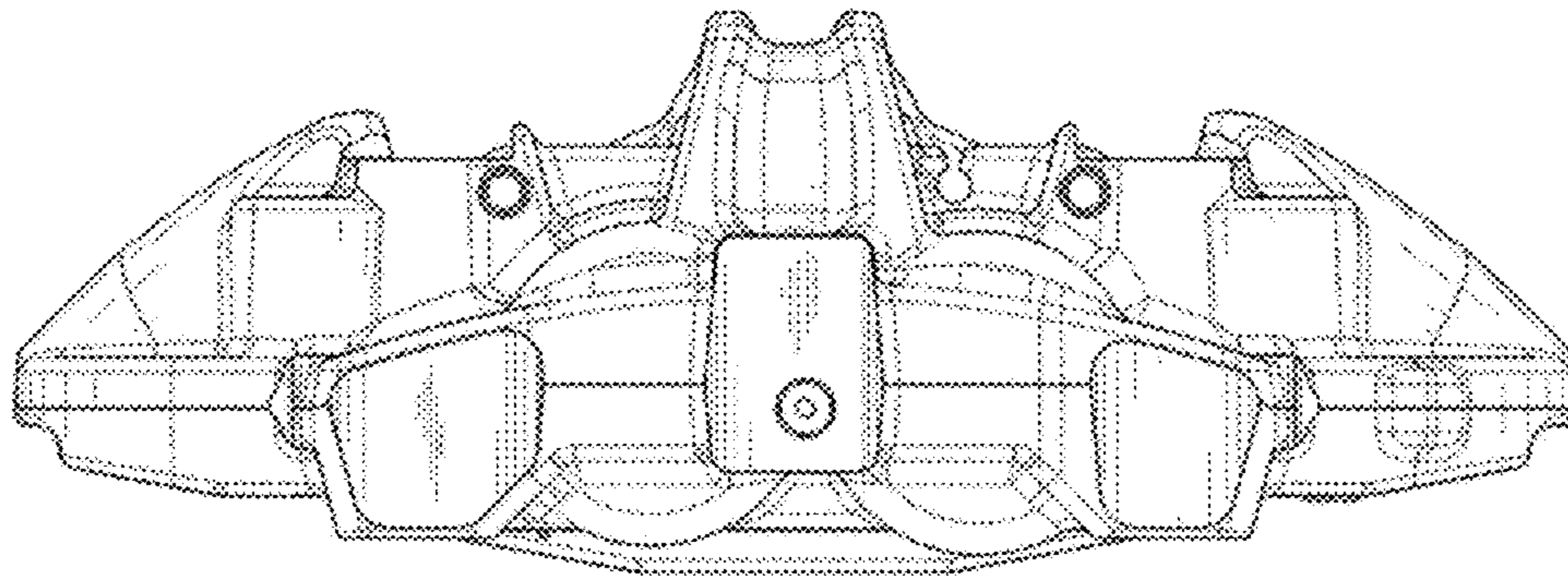
1.4



1.5

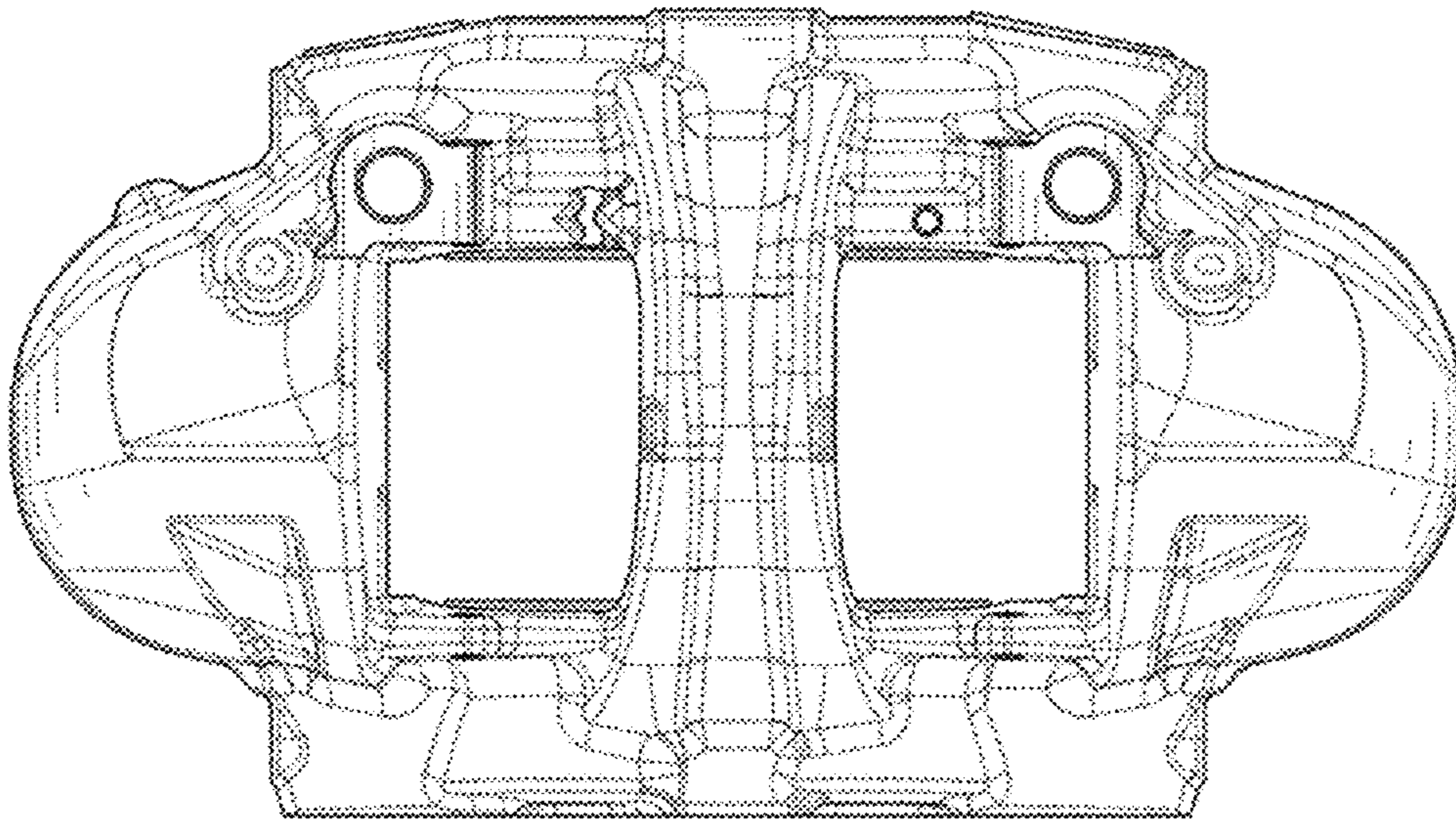


1.6

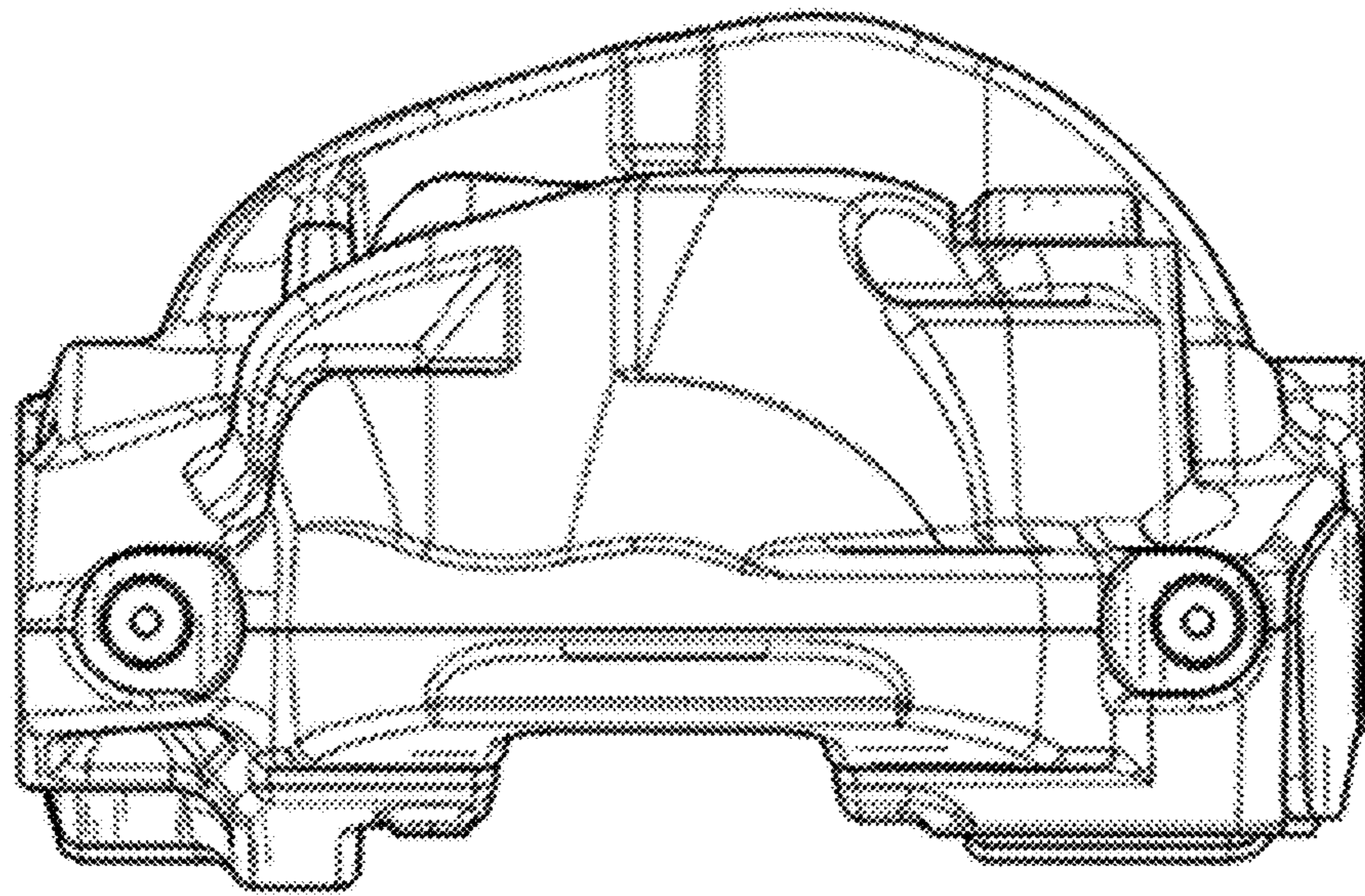




1.7



1.8



1.9

