



US00D816001S

(12) **United States Design Patent** (10) **Patent No.:** **US D816,001 S**  
**Kim** (45) **Date of Patent:** **\*\* Apr. 24, 2018**

(54) **AUTOMOTIVE STEERING WHEEL**

D671,464 S 11/2012 Baccus et al.  
D696,992 S 1/2014 Pohanka et al.  
D697,851 S 1/2014 Woo et al.

(71) Applicant: **SAMSUNG DISPLAY CO., LTD.**,  
Yongin-si, Gyeonggi-do (KR)

(Continued)

(72) Inventor: **Min Soo Kim**, Seoul (KR)

**FOREIGN PATENT DOCUMENTS**

(73) Assignee: **Samsung Display Co., Ltd.**, Yongin-si  
(KR)

JP D1490386 S 1/2014  
JP D1490598 S 1/2014

(\*\*) Term: **15 Years**

**OTHER PUBLICATIONS**

(21) Appl. No.: **29/576,340**

U.S. Notice of Allowance dated May 22, 2017, issued in cross-reference U.S. Appl. No. 29/576,346 (9 pages).

(22) Filed: **Sep. 1, 2016**

(Continued)

(30) **Foreign Application Priority Data**

Mar. 3, 2016 (KR) ..... 30-2016-0009817

(51) **LOC (11) Cl.** ..... **12-16**

(52) **U.S. Cl.**  
USPC ..... **D12/177**

(58) **Field of Classification Search**  
USPC ..... D12/175, 176, 177; D14/401, 414;  
D21/333, 385, 477, 566; 74/552, 558;  
340/475, 476, 477; 434/69, 70, 71;  
70/62  
CPC .... B60Q 1/1461; B60K 37/06; B60R 16/037;  
B62D 1/16; B62D 1/04  
See application file for complete search history.

*Primary Examiner* — Ian Simmons

*Assistant Examiner* — Yolanda Robinson

(74) *Attorney, Agent, or Firm* — Lewis Roca Rothgerber  
Christie LLP

(57) **CLAIM**

The ornamental design for automotive steering wheel, as shown and described.

**DESCRIPTION**

FIG. 1 is a perspective view of an automotive steering wheel;  
FIG. 2 is a front view thereof;  
FIG. 3 is a rear view thereof;  
FIG. 4 is a left side view thereof;  
FIG. 5 is a right side view thereof;  
FIG. 6 is a top view thereof;  
FIG. 7 is a bottom view thereof; and,  
FIG. 8 is a perspective view thereof.

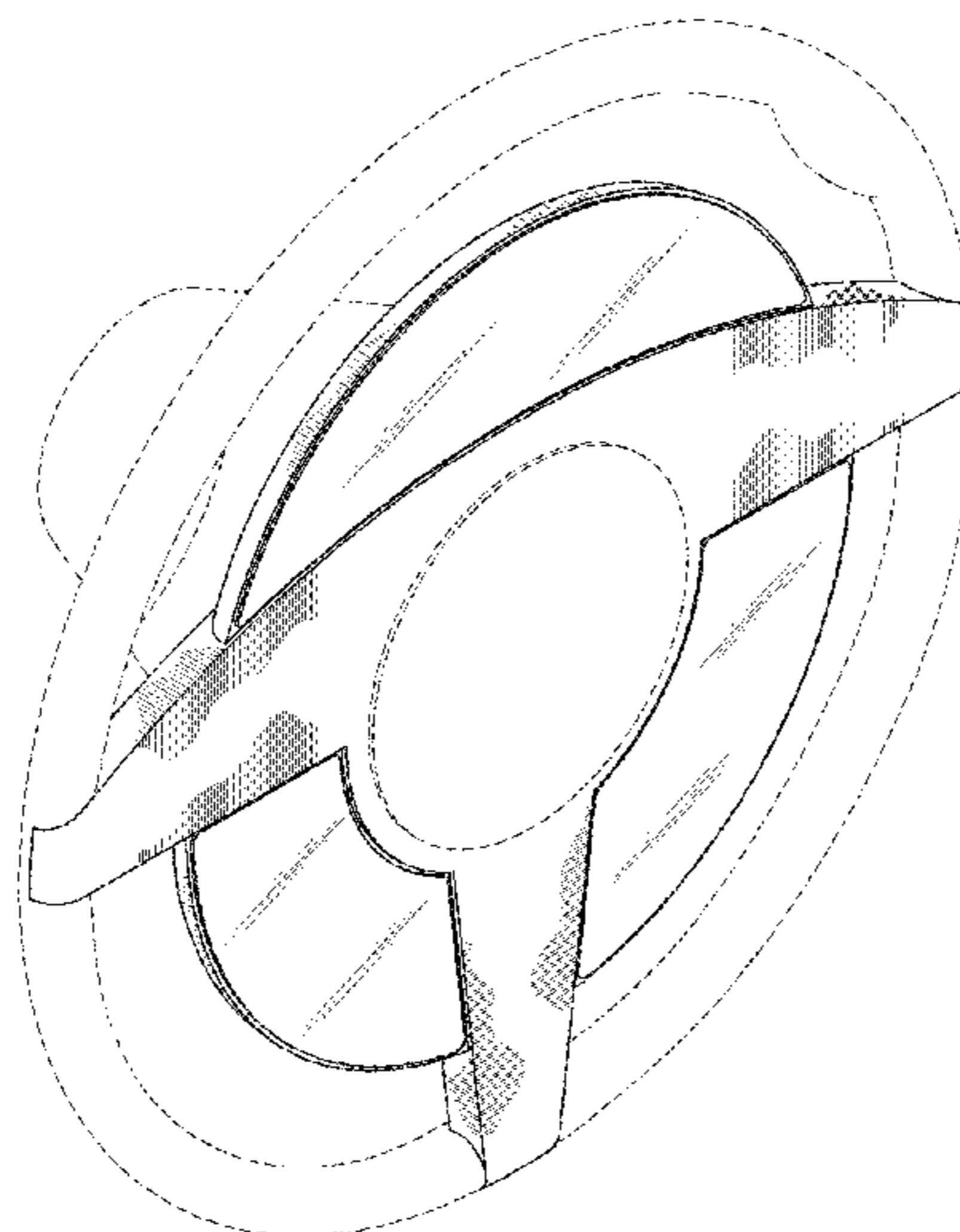
The automotive steering wheel includes displays that can display images. The displays are shown in FIG. 8. The broken lines shown in the drawings illustrate portions of the automotive steering wheel that form no part of the claimed design.

**1 Claim, 8 Drawing Sheets**

(56) **References Cited**

**U.S. PATENT DOCUMENTS**

D434,086 S \* 11/2000 Ford ..... D21/328  
D480,668 S \* 10/2003 Ohm ..... D12/176  
D587,176 S \* 2/2009 Yang ..... D12/176  
D602,096 S \* 10/2009 Ashida ..... D14/414  
D630,983 S 1/2011 Frank et al.  
D636,711 S \* 4/2011 Anzi ..... D12/176  
D644,580 S \* 9/2011 Markowitz ..... D12/176  
D647,441 S \* 10/2011 Anzi ..... D12/176  
D649,095 S 11/2011 Frank et al.  
D663,244 S \* 7/2012 Won ..... D12/176



(56)

**References Cited**

U.S. PATENT DOCUMENTS

D703,594	S	4/2014	Kim et al.	
D704,108	S	5/2014	Frank et al.	
D716,203	S	10/2014	Nakai	
D723,448	S	3/2015	Woo et al.	
D741,759	S	10/2015	Persson et al.	
D743,858	S	11/2015	Sugiura	
D743,860	S	11/2015	Nagumo	
D758,932	S	6/2016	Schowalter	
D758,933	S	6/2016	Owaku	
D760,134	S	6/2016	Montousse et al.	
D768,520	S *	10/2016	Lisseman .....	D10/104.1
D770,342	S	11/2016	Pohanka	
D772,124	S	11/2016	Lee et al.	
D775,563	S *	1/2017	Shan .....	D12/192
D776,584	S	1/2017	Meissner et al.	
D784,871	S *	4/2017	Lee .....	D12/176
D785,637	S *	5/2017	Hennings .....	D14/250
2008/0079241	A1	4/2008	Fujimori et al.	
2009/0314128	A1 *	12/2009	Rick .....	B62D 1/065 74/558
2013/0133468	A1 *	5/2013	Rancan .....	B62D 1/04 74/552
2016/0159396	A1 *	6/2016	Watanabe .....	B62D 1/046 701/36

OTHER PUBLICATIONS

U.S. Office Action dated Jun. 15, 2017, issued in cross-reference  
 U.S. Appl. No. 29/576,344 (8 pages).

\* cited by examiner

FIG. 1

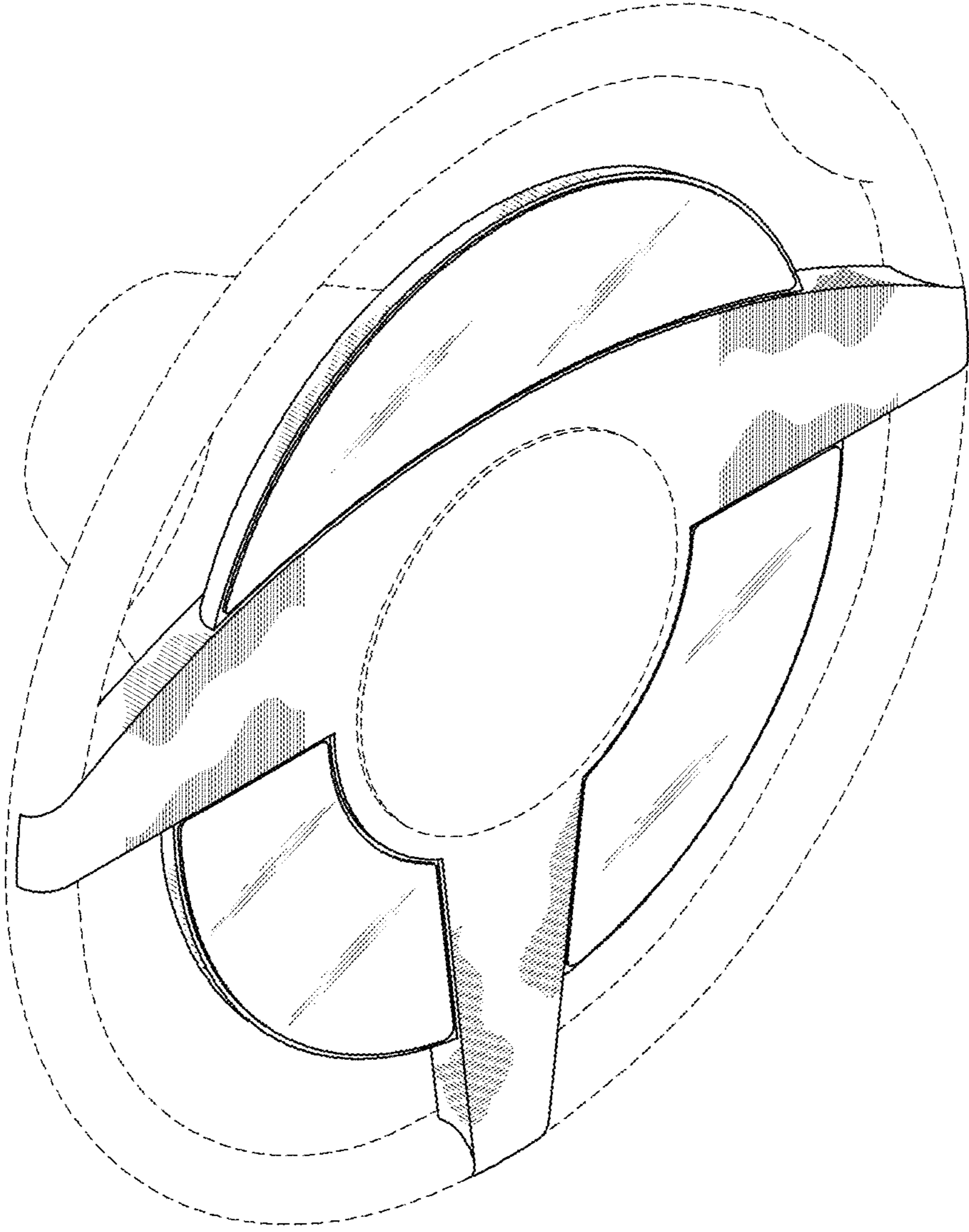


FIG. 2

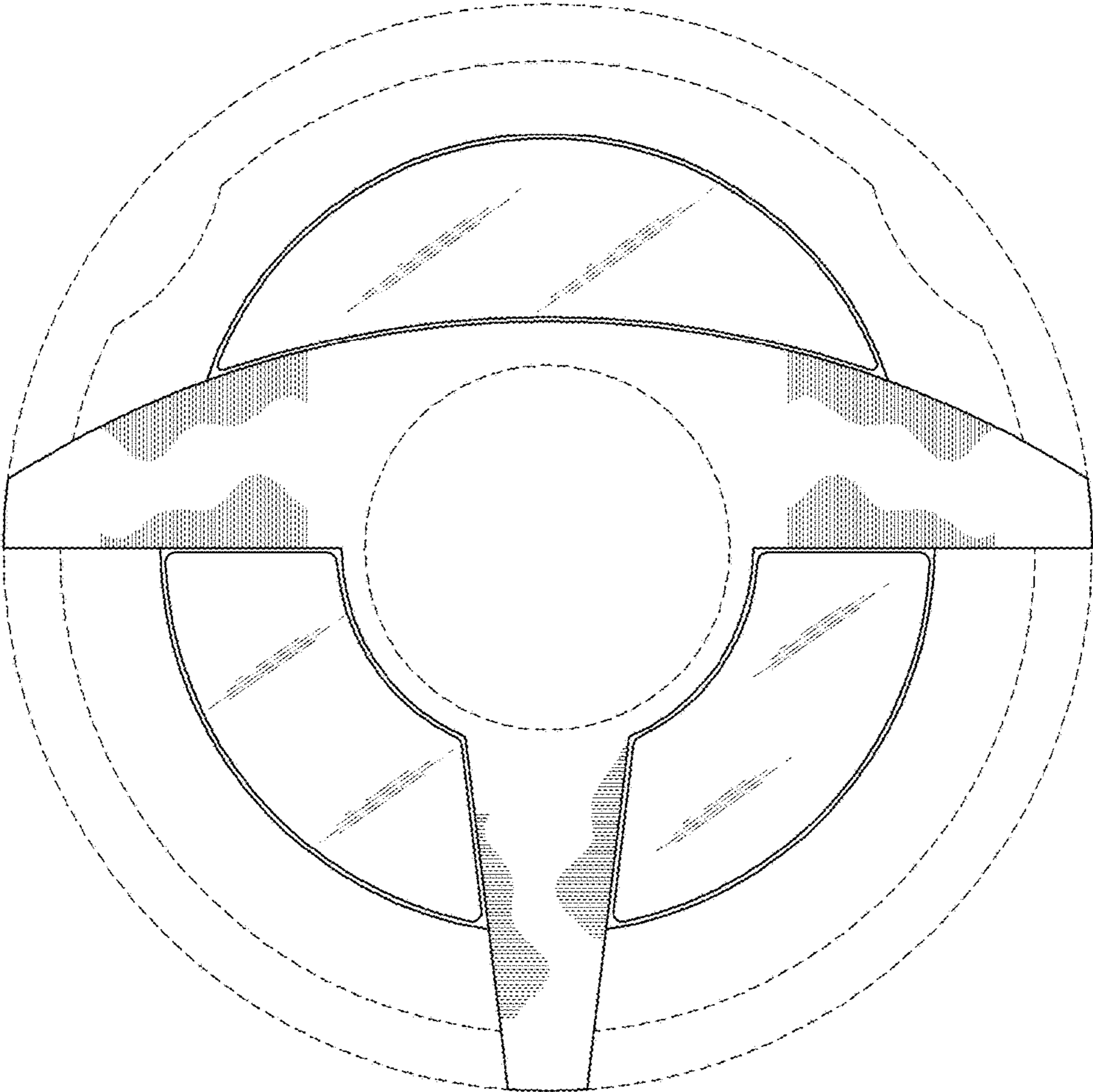


FIG. 3

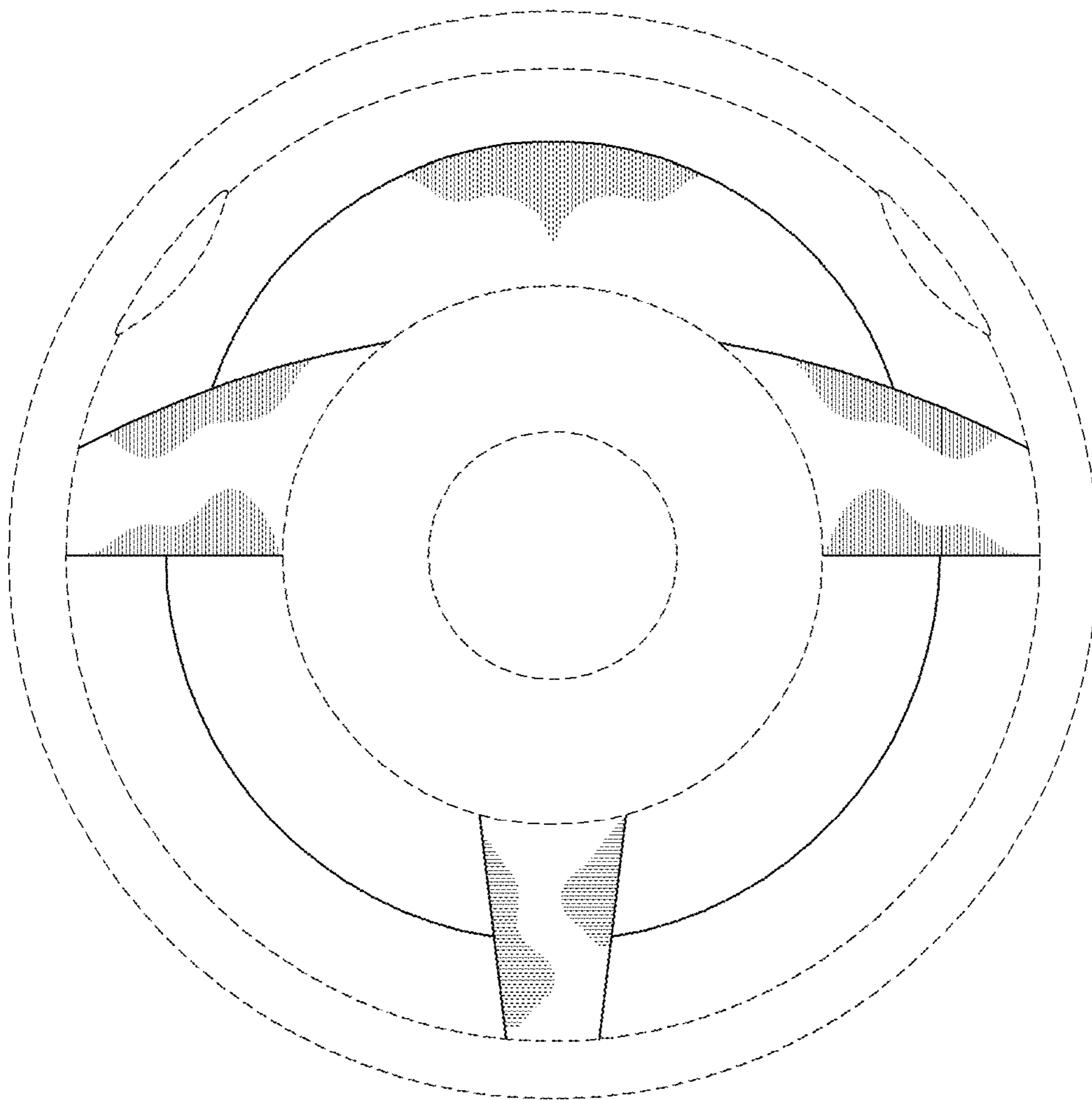


FIG. 4

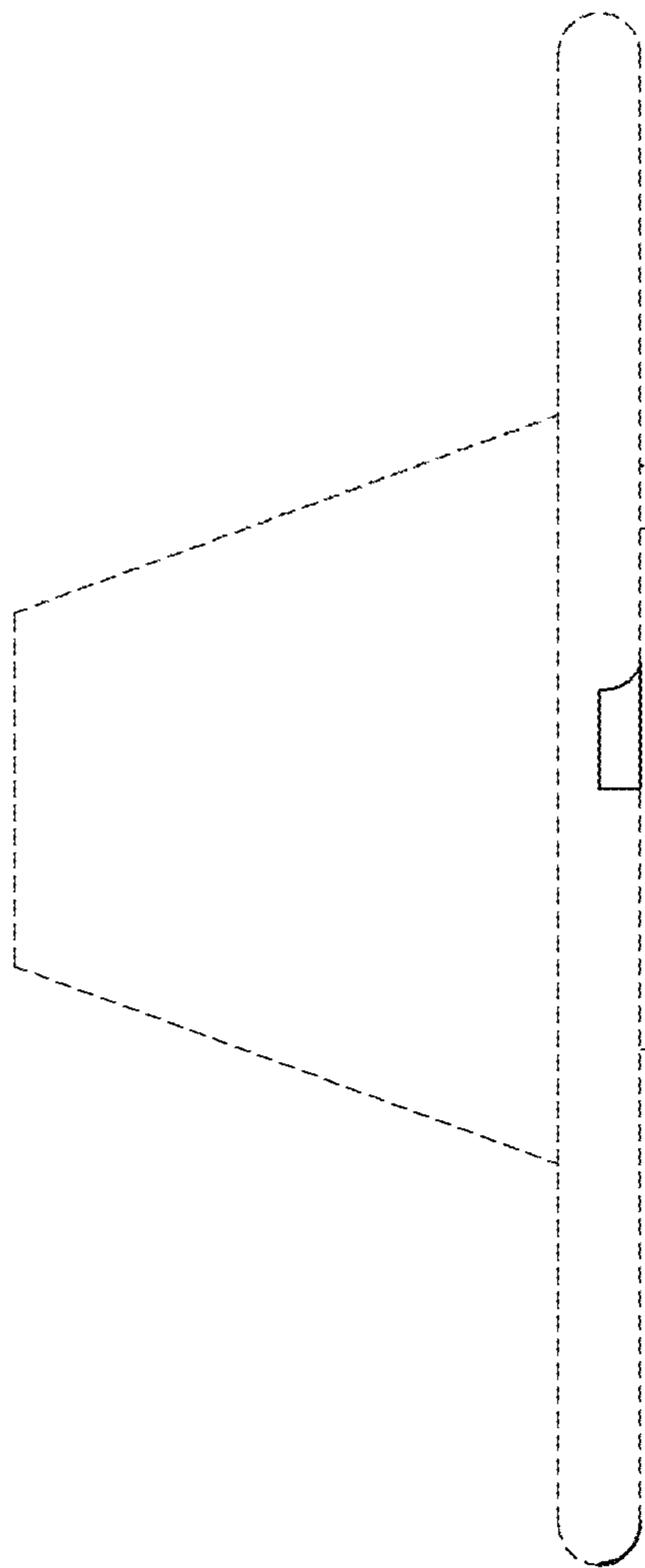


FIG. 5

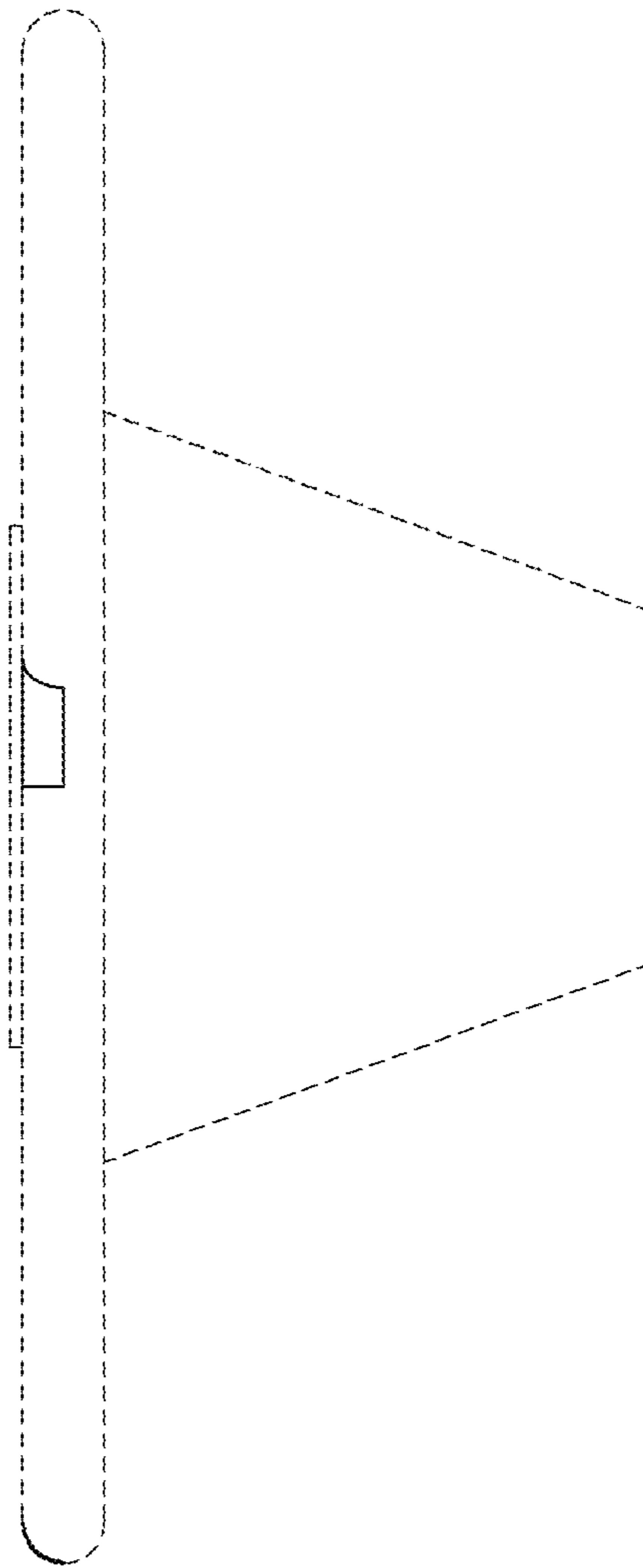


FIG. 6

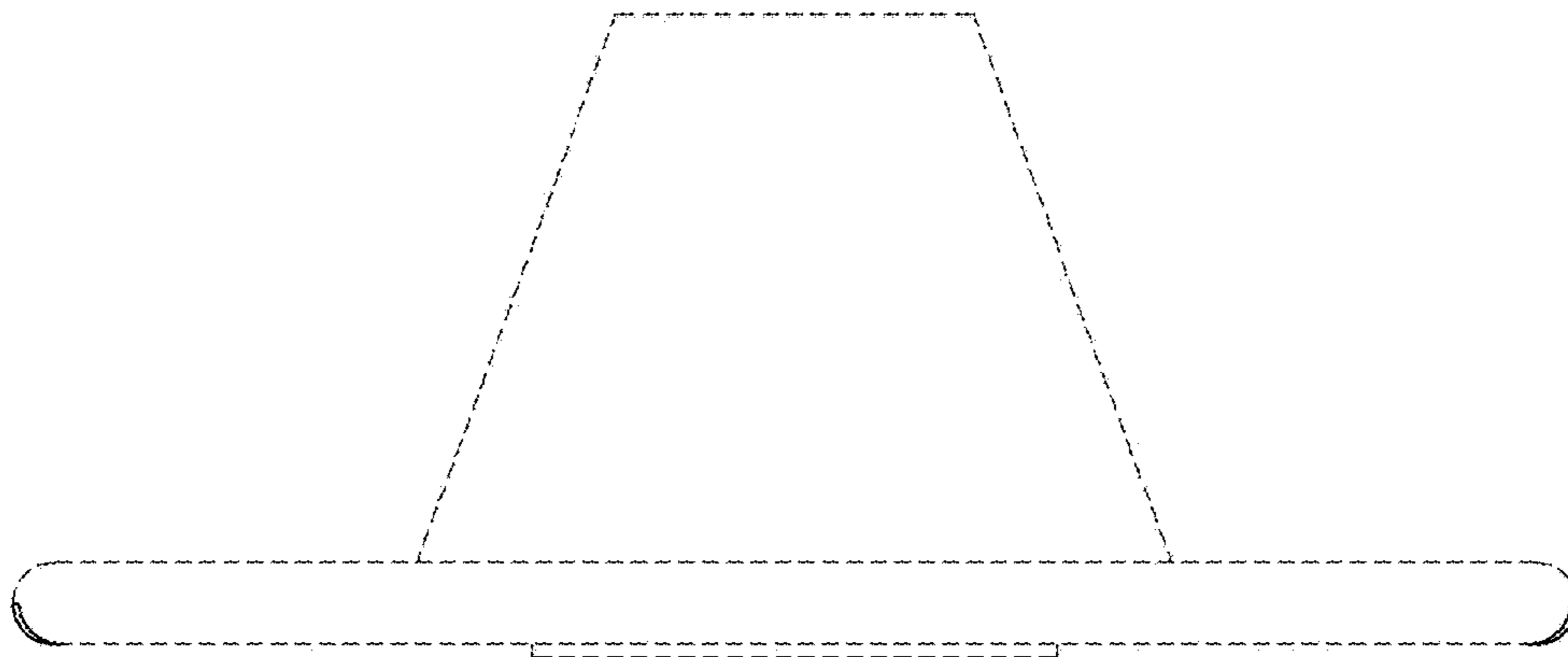




FIG. 7

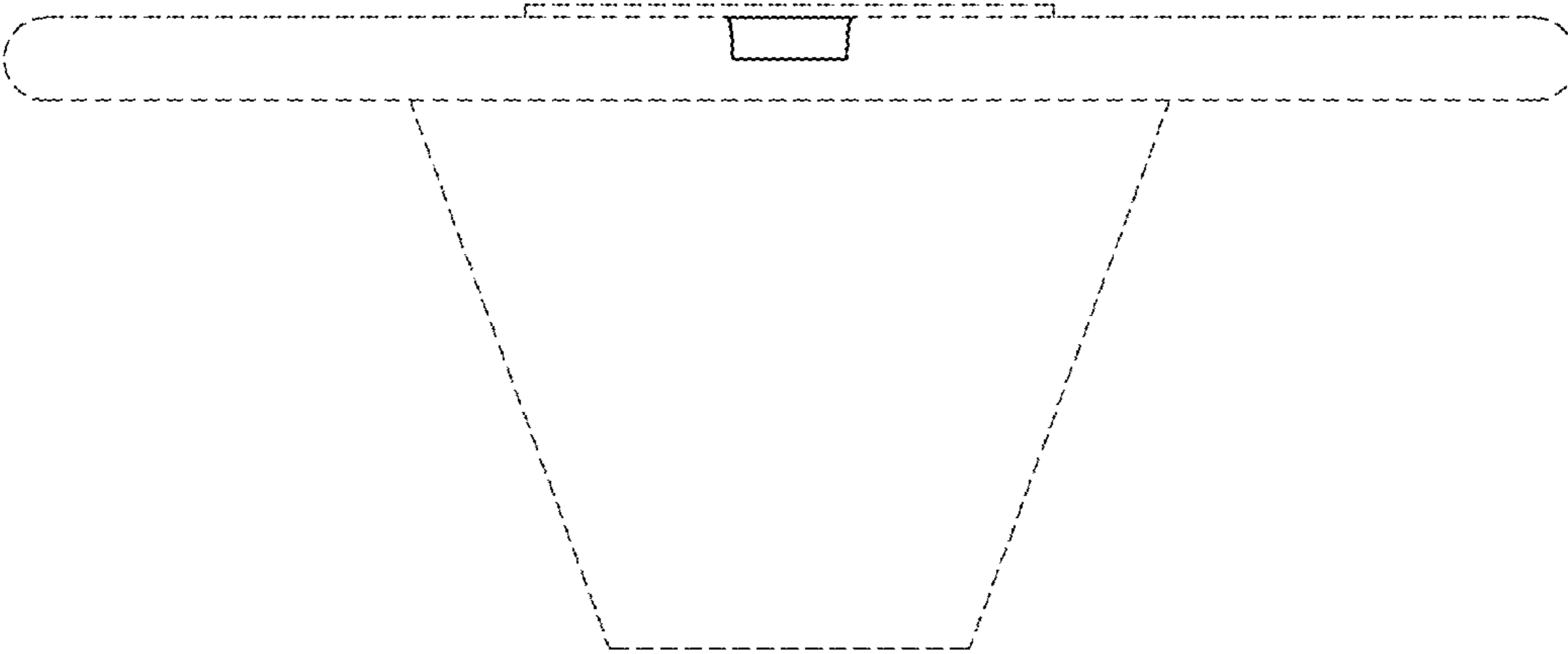


FIG. 8

