



US00D815999S

(12) **United States Design Patent** (10) **Patent No.:** **US D815,999 S**
Waterhouse et al. (45) **Date of Patent:** **** Apr. 24, 2018**

- (54) **HOOD FOR VEHICLE**
- (71) Applicant: **Volvo Lastvagnar AB**, Göteborg (SE)
- (72) Inventors: **Miles Waterhouse**, Greensboro, NC (US); **Jeff Cotner**, Greensboro, NC (US)
- (73) Assignee: **VOLVO LASTVAGNAR AB**, Gothenburg (SE)
- (**) Term: **15 Years**
- (21) Appl. No.: **29/600,034**
- (22) Filed: **Apr. 10, 2017**
- (51) **LOC (11) Cl.** **12-08**
- (52) **U.S. Cl.**
USPC **D12/173**
- (58) **Field of Classification Search**
USPC D12/12, 86, 90, 91, 93, 96, 97, 167, 181, D12/196; 296/190.1–190.5, 190.8, 296/193.11, 37.6; 180/69.2, 69.21, 69.22
CPC B62D 25/10; B62D 25/06; B62D 25/02; B62D 29/005; B62D 29/043; B62D 25/12; B60Q 1/00; B60R 19/52; B60R 21/34
See application file for complete search history.

D707,161 S *	6/2014	Peltola	D12/173
D709,002 S *	7/2014	Ito	D12/173
D709,408 S *	7/2014	Peltola	D12/96
D711,786 S *	8/2014	Brzustowicz	D12/96
D711,787 S *	8/2014	Brzustowicz	D12/96
D738,273 S *	9/2015	Hanson	D12/173
D738,274 S *	9/2015	Hanson	D12/173
D743,308 S *	11/2015	Hanson	D12/173
9,187,139 B2 *	11/2015	Cunagin	B62D 49/04
D771,539 S *	11/2016	Brzustowicz	D12/173
D778,216 S *	2/2017	Ito	D12/173
D778,217 S *	2/2017	Ito	D12/173
D784,870 S *	4/2017	Ito	D12/173
D803,101 S *	11/2017	Ito	D12/93
D803,114 S *	11/2017	Ito	D12/173
D804,373 S *	12/2017	Ito	D12/173

OTHER PUBLICATIONS

Images of Volvo VNL Truck, released 2002, 2 pages.

* cited by examiner

Primary Examiner — Ian Simmons

Assistant Examiner — Yolanda Robinson

(74) *Attorney, Agent, or Firm* — Tucker Ellis LLP

(57) **CLAIM**

The ornamental design for a hood for vehicle, as shown and described.

DESCRIPTION

FIG. 1 is a perspective view of a hood for vehicle showing our new design.

FIG. 2 is a front view thereof.

FIG. 3 is a rear view thereof.

FIG. 4 is a left side view thereof.

FIG. 5 is a right side view thereof.

FIG. 6 is a top view thereof; and,

FIG. 7 is a bottom view thereof.

1 Claim, 4 Drawing Sheets

(56) **References Cited**

U.S. PATENT DOCUMENTS

D523,793 S *	6/2006	Beigel	D12/173
D532,350 S *	11/2006	Angelo	D12/173
D563,851 S *	3/2008	Rosen	D12/173
D563,852 S *	3/2008	Rosen	D12/173
D571,696 S *	6/2008	Rosen	D12/173
D621,754 S *	8/2010	Angelo	D12/173
D632,224 S *	2/2011	Peltola	D12/173
D647,832 S *	11/2011	Medina	D12/173
D654,401 S *	2/2012	Peltola	D12/173
D707,160 S *	6/2014	Peltola	D12/173

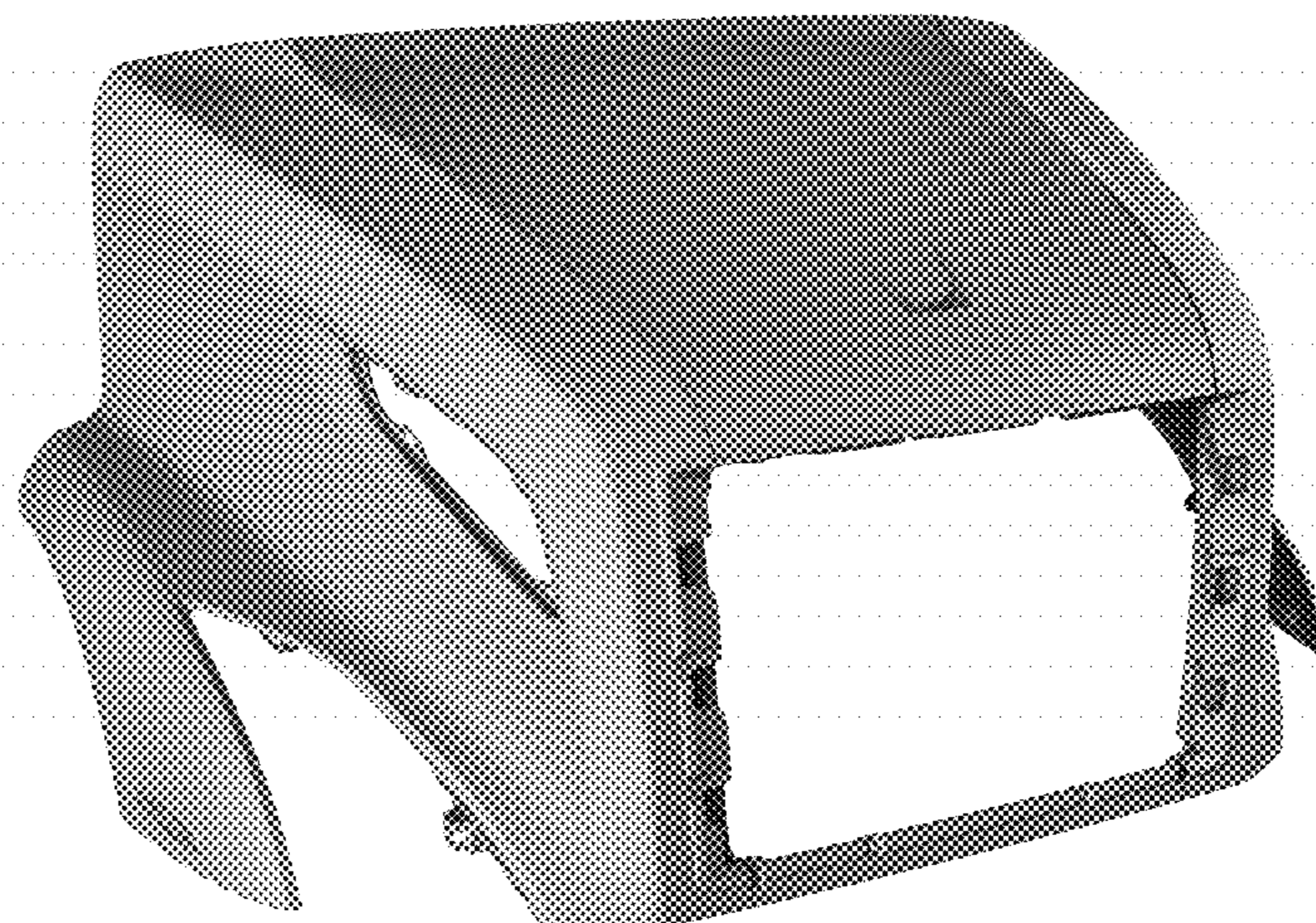




FIG. 1

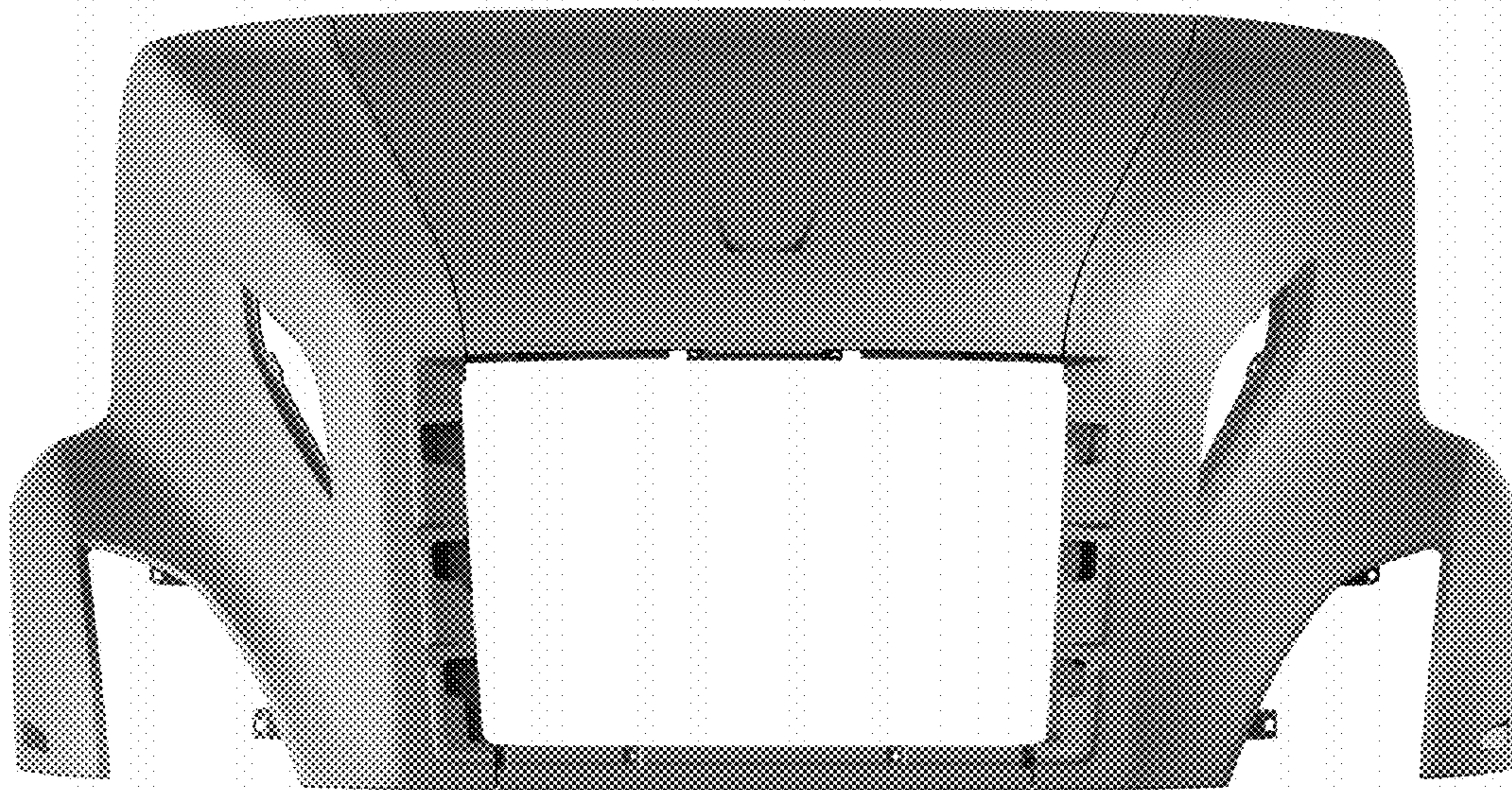


FIG. 2

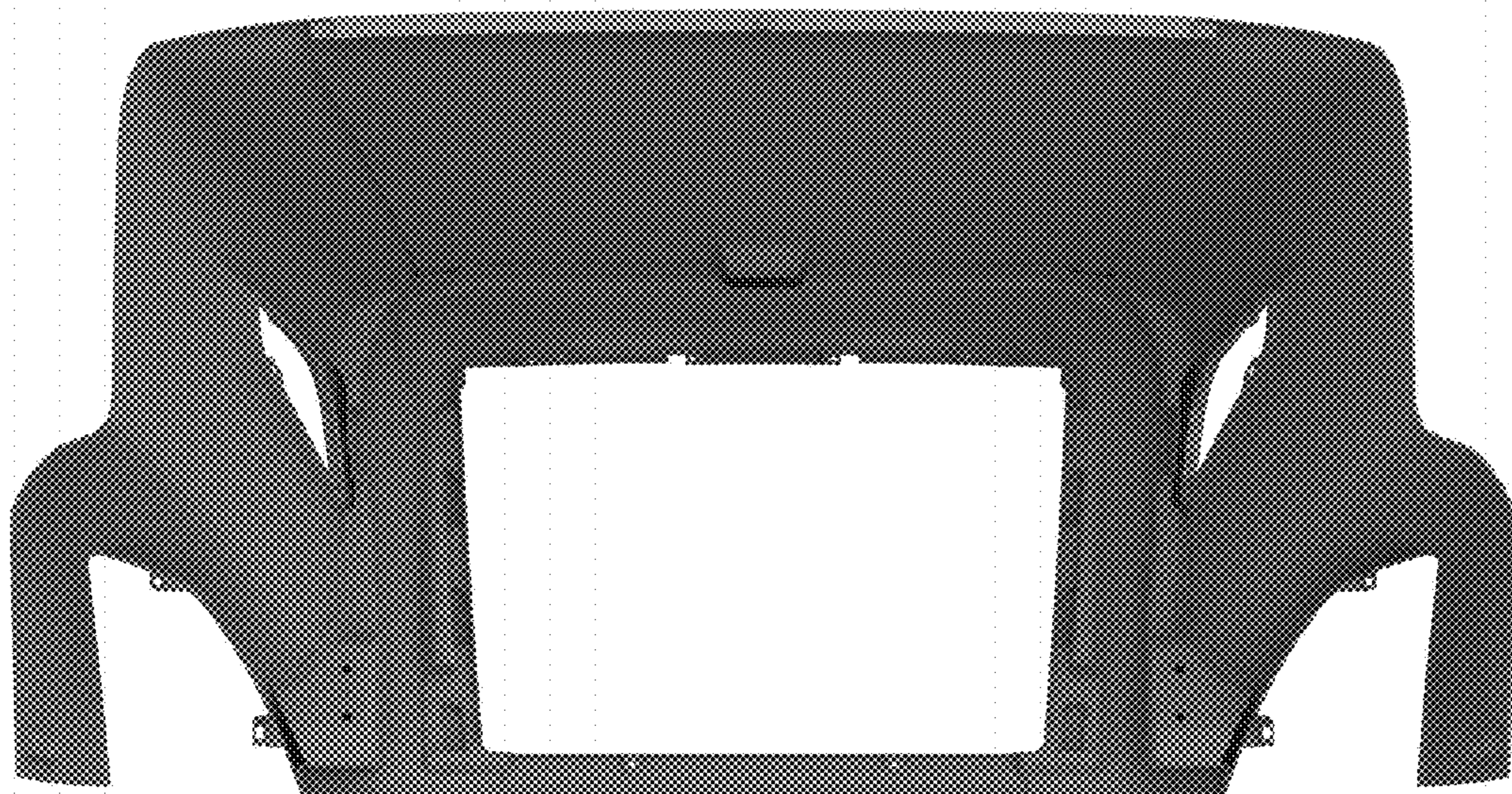


FIG. 3

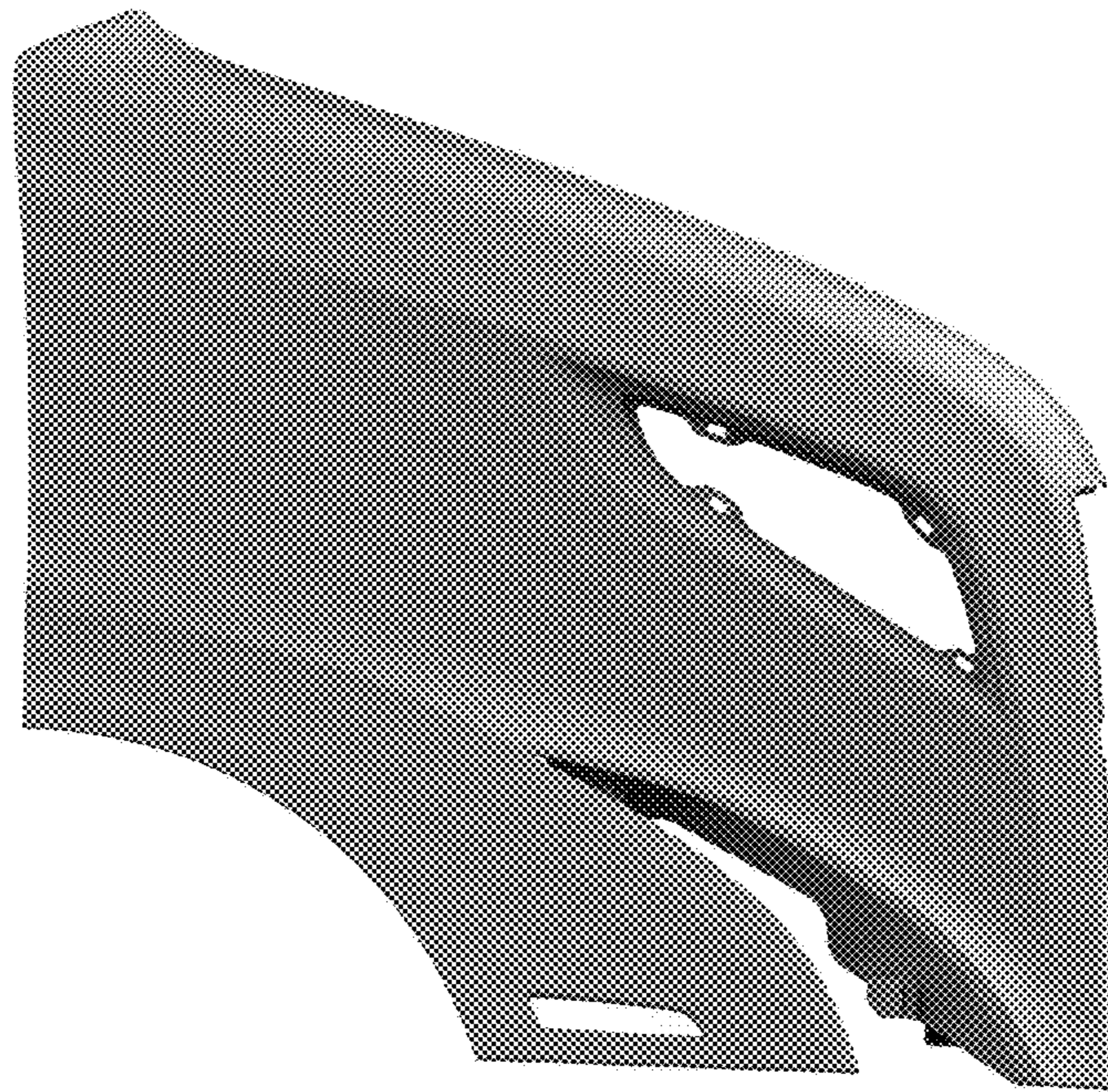


FIG. 4

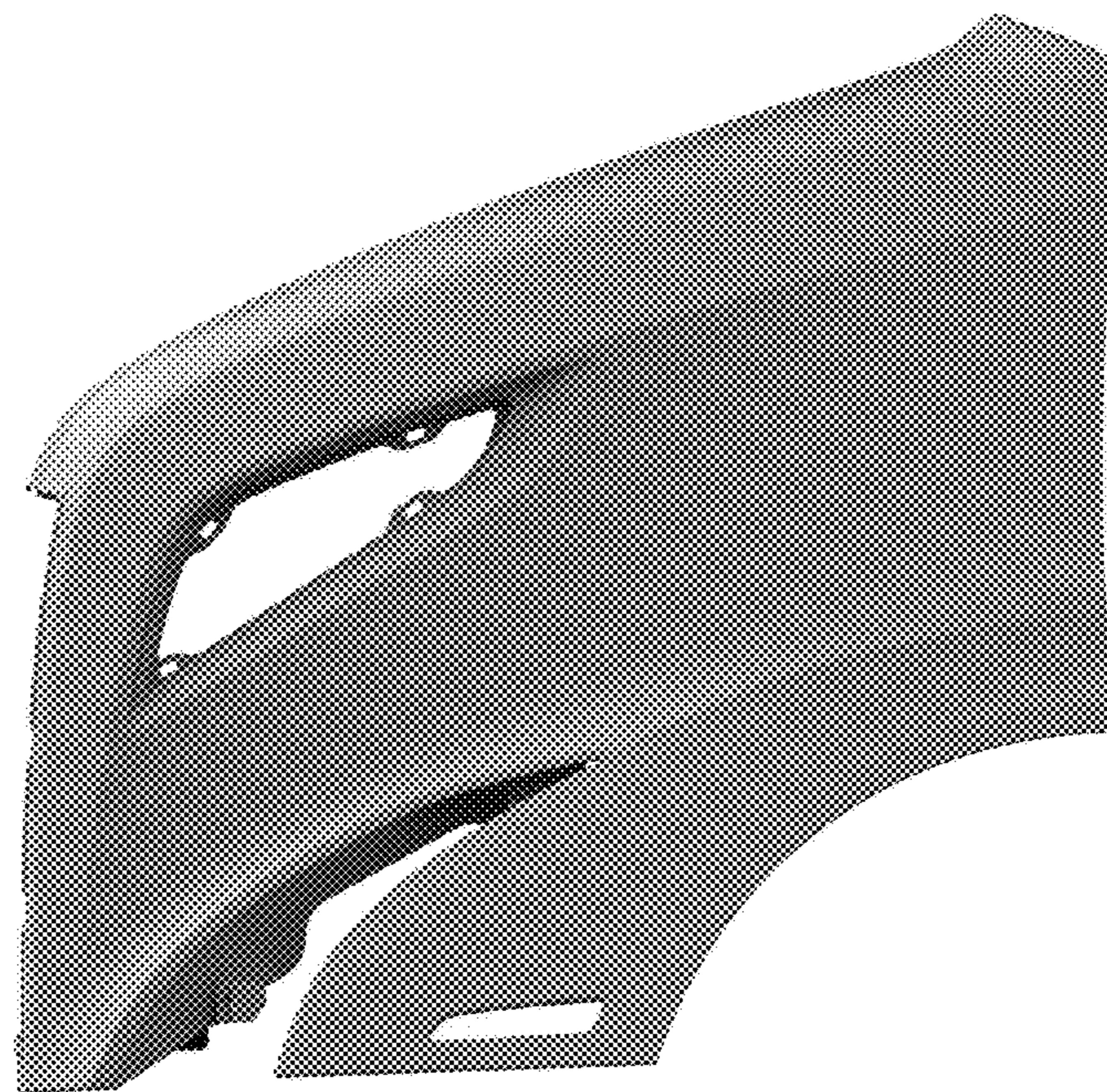


FIG. 5

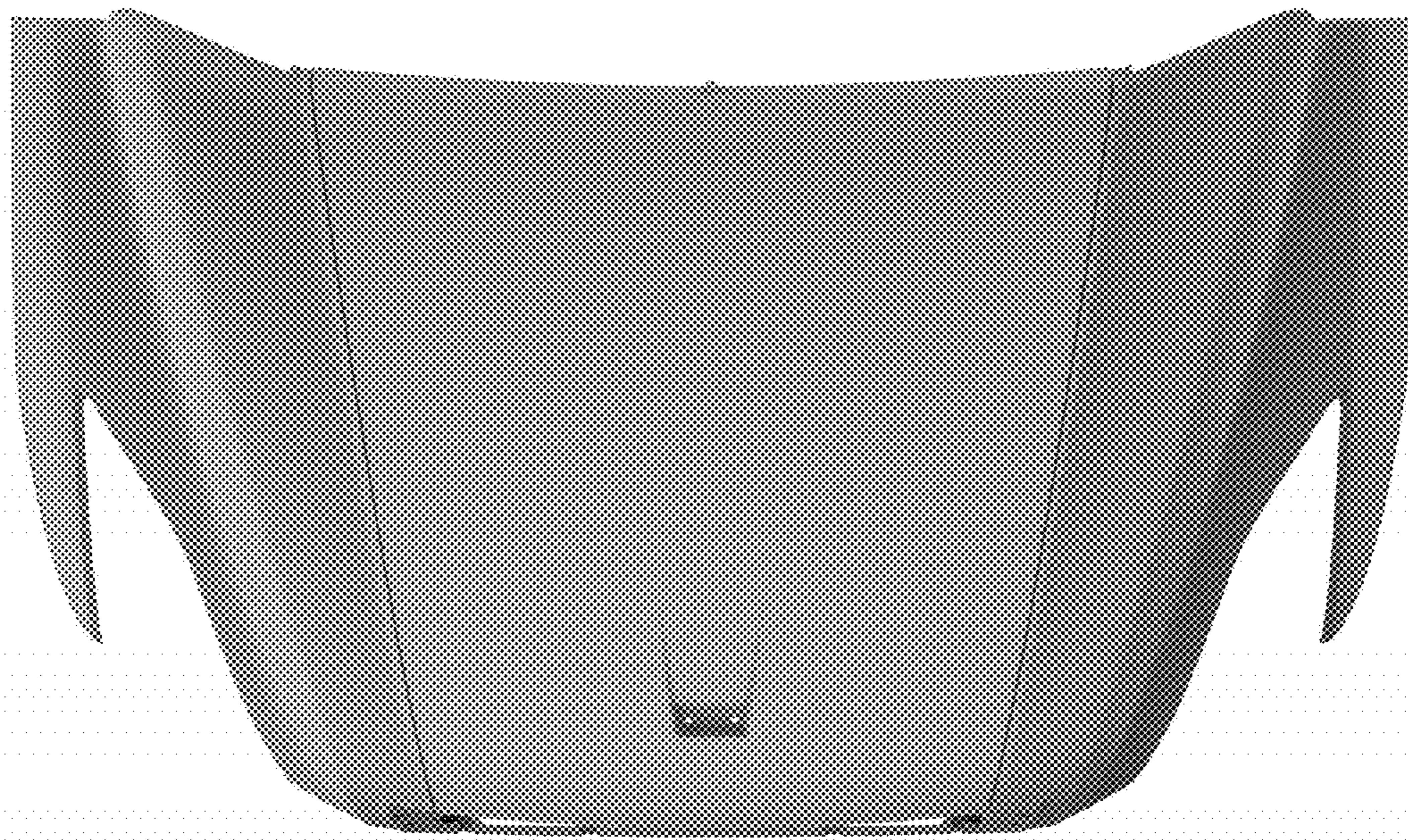


FIG. 6

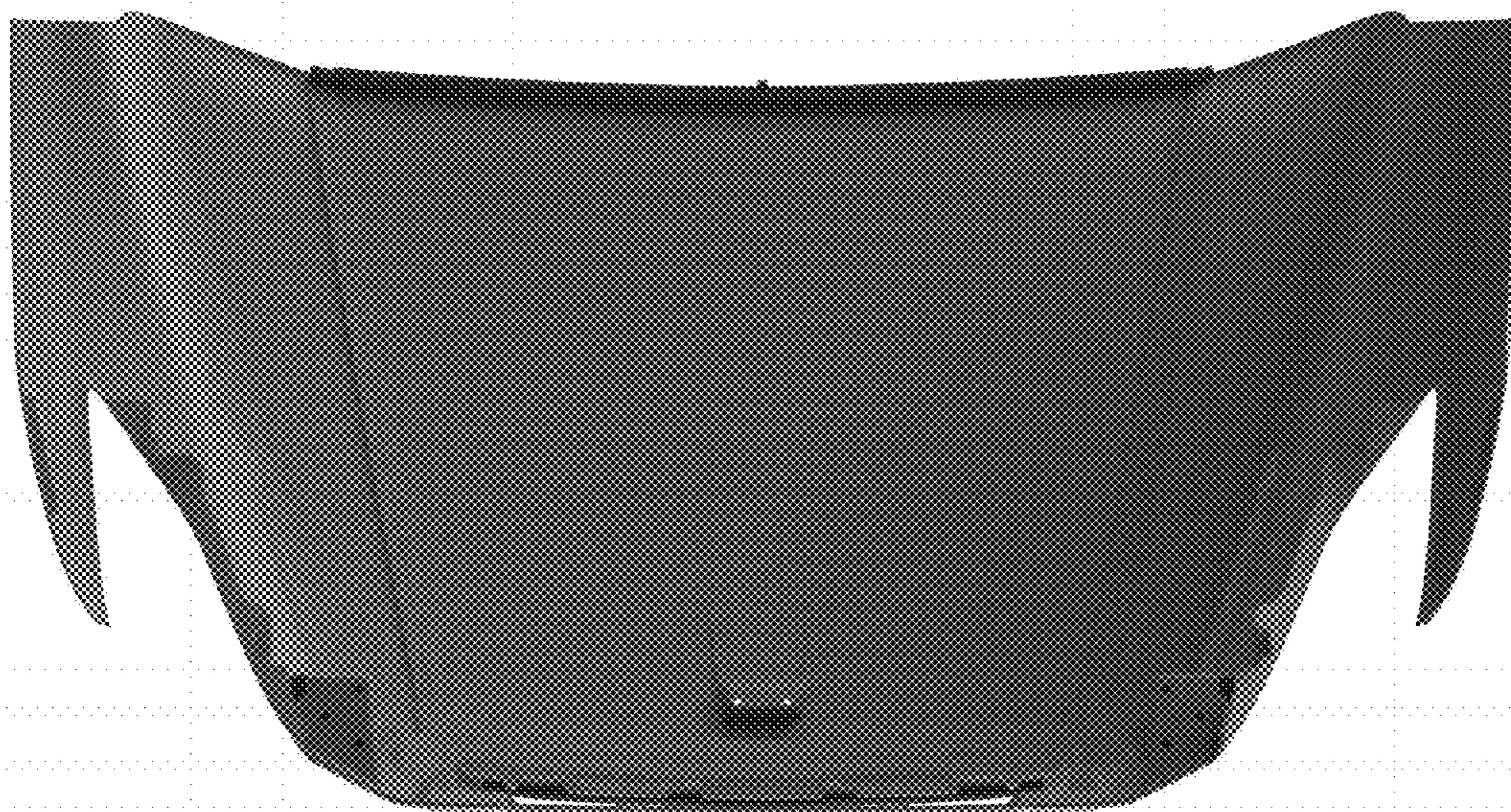


FIG. 7