



US00D815996S

(12) **United States Design Patent**
Badstuebner et al.

(10) **Patent No.:** **US D815,996 S**
(45) **Date of Patent:** **** Apr. 24, 2018**

(54) **FRONT PORTION OF A VEHICLE, TOY,
AND/OR REPLICAS THEREOF**

(71) Applicant: **Daimler AG**, Stuttgart (DE)

(72) Inventors: **Achim-Dietrich Badstuebner**, Munich (DE); **Mark Fetherston**, Stuttgart (DE); **Robert Lesnik**, Leonberg (DE)

(73) Assignee: **Daimler AG**, Stuttgart (DE)

(**) Term: **15 Years**

(21) Appl. No.: **29/587,211**

(22) Filed: **Dec. 12, 2016**

(30) **Foreign Application Priority Data**

Jul. 21, 2016 (WO) DM/092202

(51) **LOC (11) Cl.** **12-16**

(52) **U.S. Cl.**
USPC **D12/164**

(58) **Field of Classification Search**
USPC D12/86, 90-92, 88, 164; D21/421, 433,
D21/434; 296/181.1, 181.5
CPC B62D 35/00; B62D 25/00; B62D 25/06;
B62D 33/00
See application file for complete search history.

(56) **References Cited**

U.S. PATENT DOCUMENTS

D580,826 S * 11/2008 Rhoades D12/92
D671,044 S 11/2012 Fetherston et al.
D699,162 S 2/2014 Fetherston et al.
D701,798 S * 4/2014 Futschik D12/164

D716,198 S * 10/2014 Futschik D12/164
D747,671 S * 1/2016 Frei D12/164
D751,464 S * 3/2016 Frei D12/91
D758,258 S * 6/2016 Lesnik D12/164
D790,414 S * 6/2017 Futschik D12/164
D799,378 S * 10/2017 Lee D12/92
D805,958 S * 12/2017 Lesnik D12/91
D808,305 S * 1/2018 Badstuebner D12/92

* cited by examiner

Primary Examiner — Melody N Brown

(74) *Attorney, Agent, or Firm* — Crowell & Moring LLP

(57) **CLAIM**

The ornamental design for a front portion of a vehicle, toy, and/or replicas thereof, as shown and described.

DESCRIPTION

This application contains subject matter related to the following co-pending U.S. design patent applications: Application Ser. No. 29/587,209, filed herewith and entitled “Vehicle, Toy, and/or Replicas Thereof”; and Application Ser. No. 29/587,213, filed herewith and entitled “Front Bumper for a Vehicle”.

FIG. 1 is a left, front perspective view of a front portion of a vehicle, toy, and/or replicas thereof according to the design;

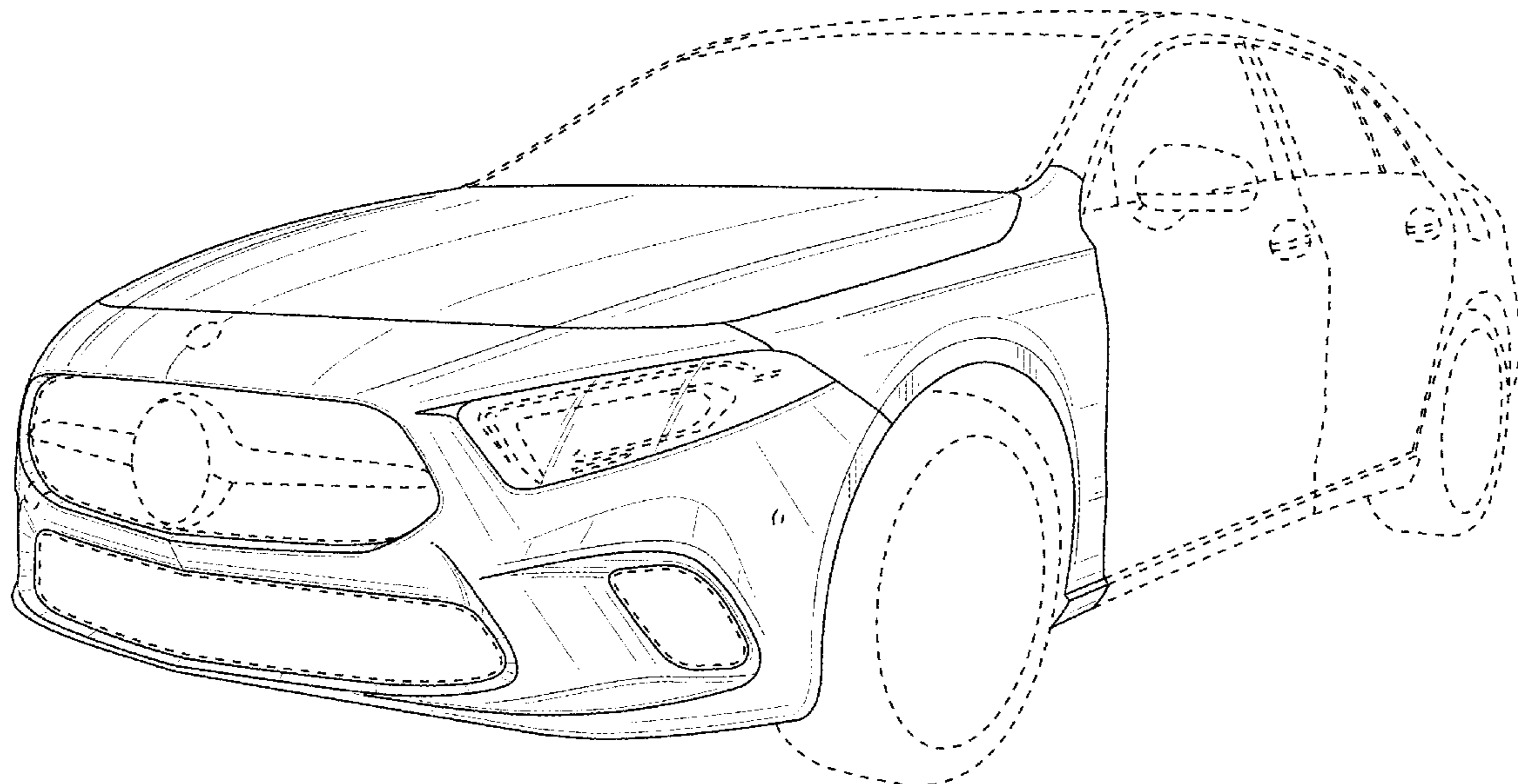
FIG. 2 is a left side view thereof, the right side view being mirror symmetrical;

FIG. 3 is a front view thereof; and,

FIG. 4 is a top view thereof.

The broken lines are for illustrative purposes only and form no part of the claimed design.

1 Claim, 4 Drawing Sheets



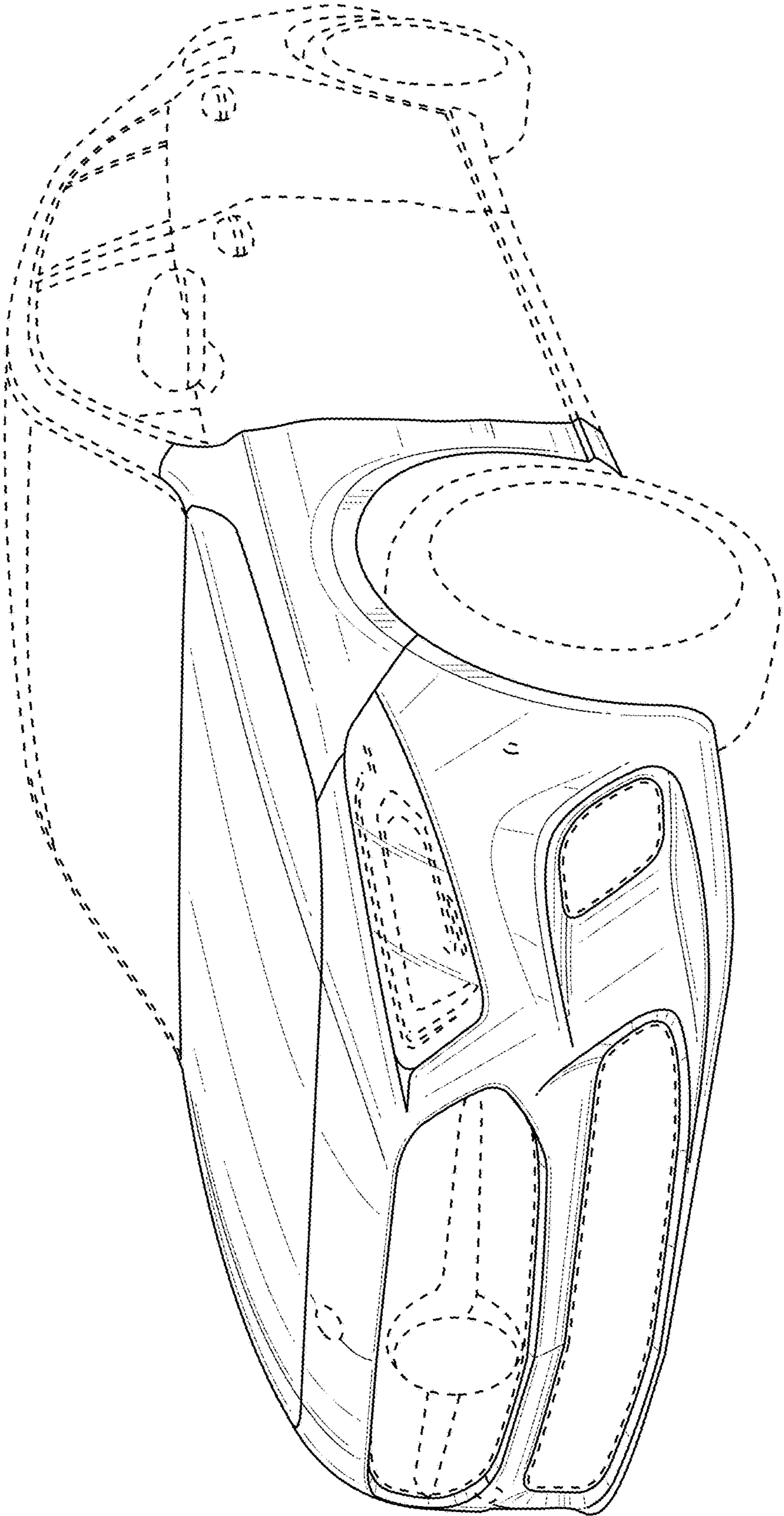


FIG. 1

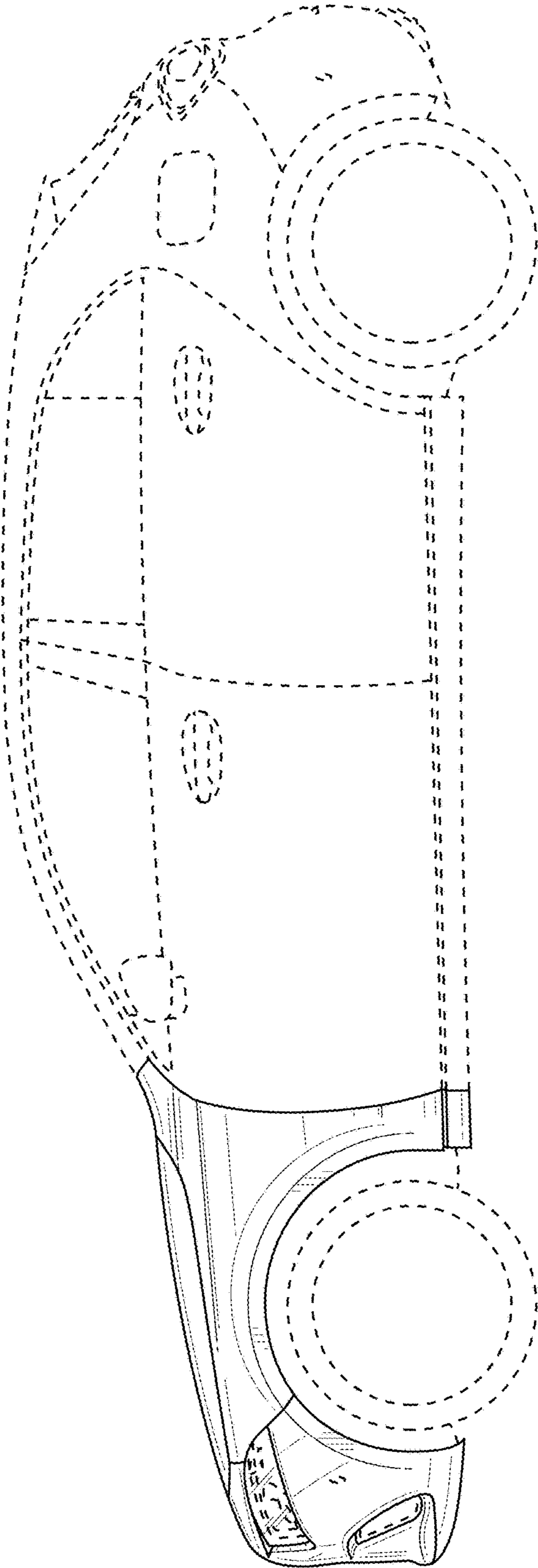


FIG. 2

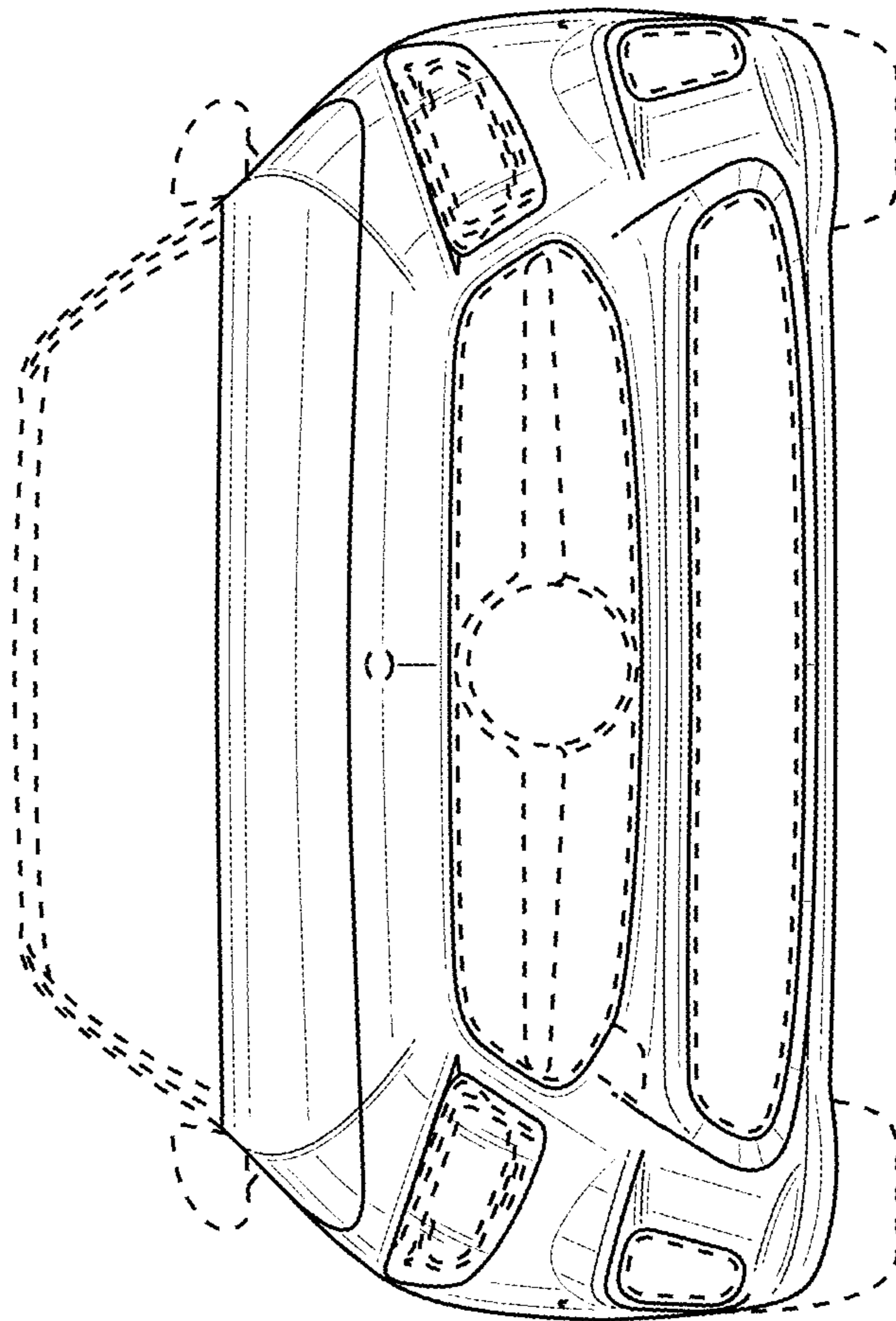


FIG. 3

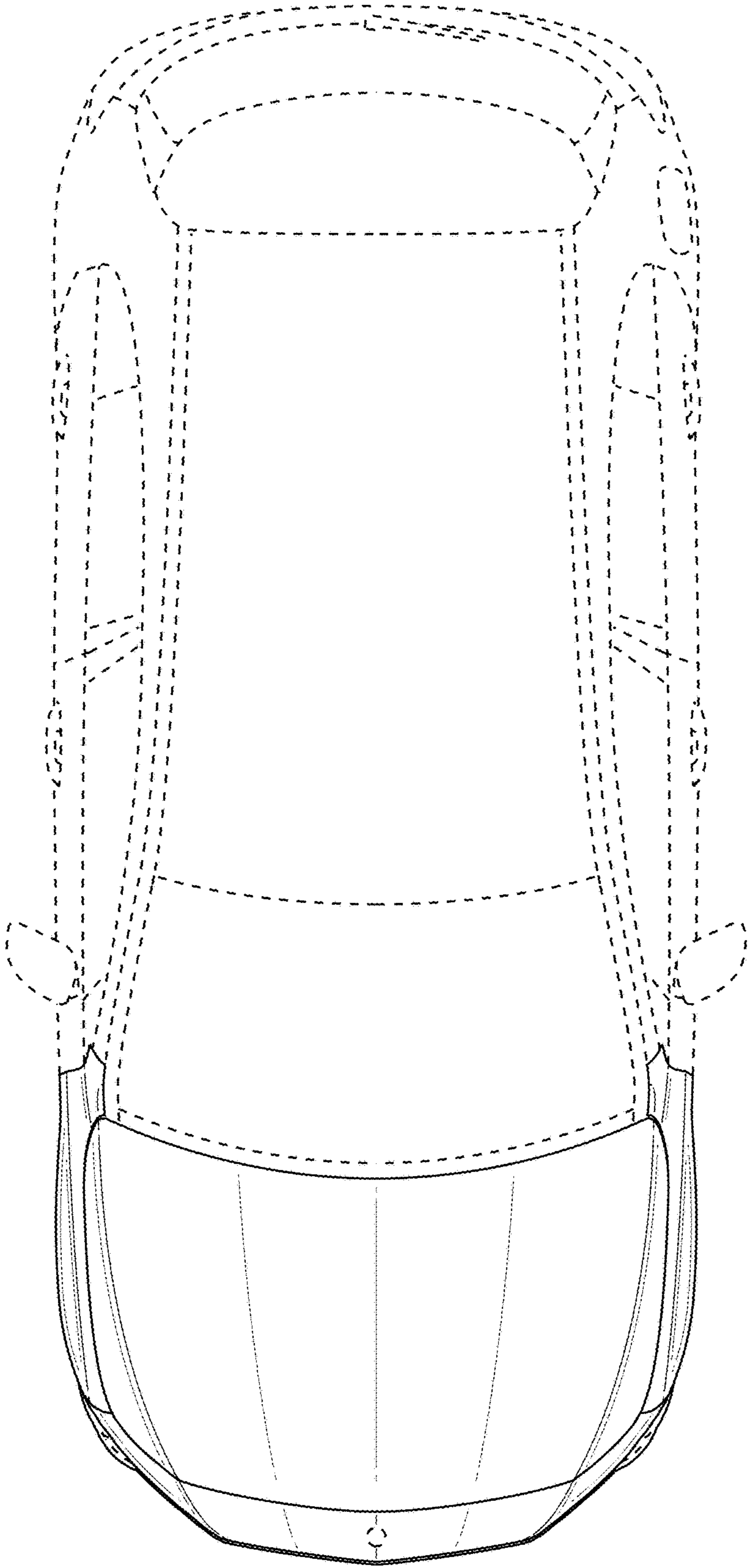


FIG. 4