



US00D815995S

(12) **United States Design Patent** (10) **Patent No.:** **US D815,995 S**
Nurnberger et al. (45) **Date of Patent:** **** Apr. 24, 2018**

(54) **GRILLE FOR AUTOMOBILE OR REPLICA THEREOF**

(71) Applicant: **Aston Martin Lagonda Limited**,
Warwick (GB)

(72) Inventors: **Miles Nurnberger**, Warwick (GB);
Marek Reichman, Warwick (GB)

(73) Assignee: **Aston Martin Lagonda Limited**,
Warwick (GB)

(**) Term: **15 Years**

(21) Appl. No.: **29/583,272**

(22) Filed: **Nov. 3, 2016**

(30) **Foreign Application Priority Data**

May 6, 2016 (EM) 003114156-0005
May 6, 2016 (EM) 003114156-0006

(51) **LOC (11) Cl.** **12-16**

(52) **U.S. Cl.**
USPC **D12/163**; D12/169

(58) **Field of Classification Search**
USPC D12/86, 90, 91, 92, 163, 169, 196, 171,
D12/216
CPC . B60R 19/52; B60R 2019/525; B60K 11/085;
B62D 25/084; H01Q 1/32
See application file for complete search history.

(56) **References Cited**

U.S. PATENT DOCUMENTS

D585,340 S * 1/2009 Sinkwitz D12/163
D620,396 S 7/2010 Reichman et al.
D626,465 S * 11/2010 Thomas D12/163
D626,466 S 11/2010 Reichman et al.
D629,718 S 12/2010 Reichman et al.
D629,719 S 12/2010 Reichman et al.
D629,725 S 12/2010 Reichman et al.
D630,140 S 1/2011 Reichman et al.

D670,640 S 11/2012 Reichman et al.
D687,348 S 8/2013 Nurnberger
D689,812 S 9/2013 Reichman et al.
D692,800 S 11/2013 Wiltshire
D704,102 S 5/2014 Nurnberger
D714,197 S * 9/2014 Matsumoto D12/190
D726,079 S 4/2015 Reichman et al.

(Continued)

FOREIGN PATENT DOCUMENTS

DE 2727517 A1 12/1978
DE 4321969 A1 2/1994

(Continued)

OTHER PUBLICATIONS

“2009 Aston Martin Vantage 2-door Coupe Man Grille”. Found online Mar. 21, 2016 at motorauthority.com. Page dated c. 2009. Retrieved from http://www.motorauthority.com/image/100236184_2009-aston-martin-vantage-2-door-coupe-man-grille.

(Continued)

Primary Examiner — Darlington Ly

(74) *Attorney, Agent, or Firm* — Dorsey & Whitney LLP

(57) **CLAIM**

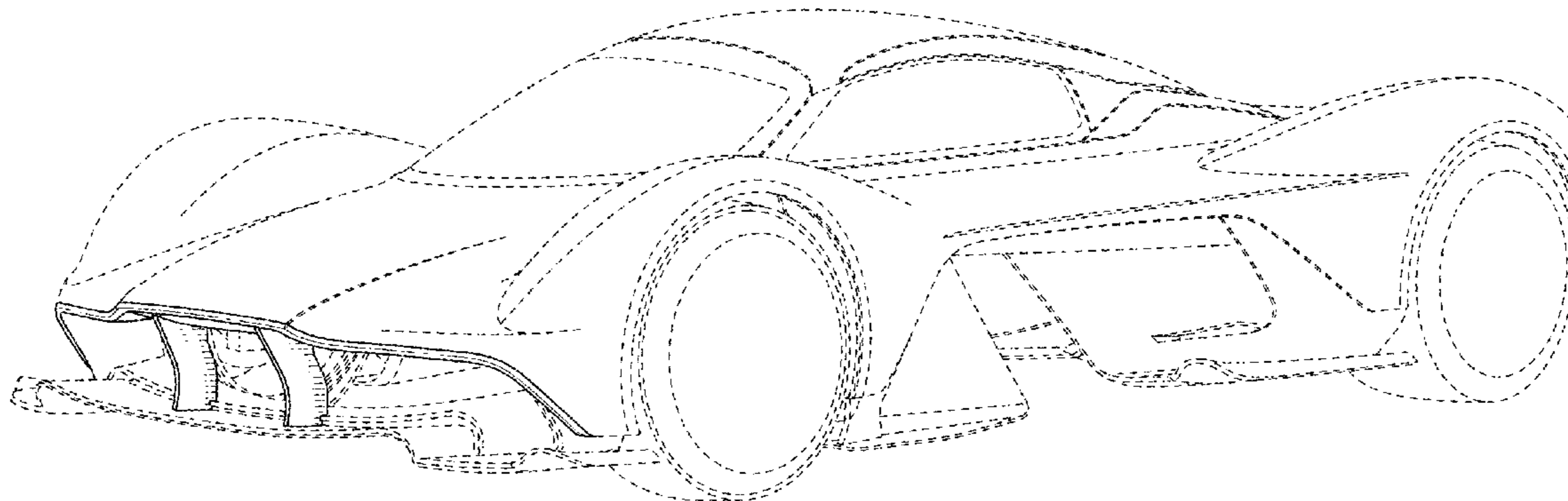
The ornamental design for a grille for automobile or replica thereof, as shown and described.

DESCRIPTION

FIG. 1 is a perspective view of a grille for automobile or replica thereof in accordance with the present design; FIG. 2 is a right side elevation view thereof; FIG. 3 is a left side elevation view thereof; FIG. 4 is a front elevation view thereof; and, FIG. 5 is a top plan view thereof.

The broken line showing of portions of an automobile is provided for the purpose of illustrating environmental structure and forms no part of the claimed design.

1 Claim, 2 Drawing Sheets



(56)

References Cited

U.S. PATENT DOCUMENTS

D727,804 S	*	4/2015	Nurnberger	D12/163
D730,777 S		6/2015	Nurnberger		
D739,789 S	*	9/2015	Payne	D12/92
D740,725 S	*	10/2015	Payne	D12/163
D748,025 S	*	1/2016	Yoshimine	D12/190
D758,247 S		6/2016	Nurnberger et al.		
D760,136 S	*	6/2016	Takahashi	D12/190
D766,474 S		9/2016	Holgate et al.		
D772,128 S		11/2016	Platt		
D772,770 S	*	11/2016	Yoshimine	D12/190
D773,364 S	*	12/2016	Yoshimine	D12/190
D774,950 S		12/2016	Holgate et al.		
D774,995 S		12/2016	Holgate et al.		
D776,589 S	*	1/2017	Yoshimine	D12/190
D777,070 S		1/2017	Nurnberger		
D778,790 S		2/2017	Nurnberger		
D780,632 S		3/2017	Nurnberger		
D780,633 S		3/2017	Payne et al.		
D780,634 S		3/2017	Segui et al.		
D780,636 S		3/2017	Kahn		
D785,525 S	*	5/2017	Nurnberger	D12/190
D786,155 S		5/2017	Holgate et al.		
D786,744 S	*	5/2017	Nurnberger	D12/163
D799,385 S	*	10/2017	Kozub	D12/163
D800,620 S	*	10/2017	Matsumoto	D12/190

FOREIGN PATENT DOCUMENTS

EM	000212923001	10/2004
EM	0002129230002	10/2004
EM	0010678390001	1/2009
EM	0016500520001	12/2009
EM	0016746310001	2/2010
EM	0016746310002	2/2010
EM	0016746310003	2/2010
EM	0016746310005	2/2010
EM	0019998480001	2/2012
EM	0019998480003	2/2012
EM	0020336210001	4/2012
EM	0020336210003	4/2012
EM	0020336210005	4/2012
EM	0020336210006	4/2012
EM	0020479770002	5/2012
EM	0021714880001	1/2013
EP	0896892 A1	2/1999
EP	0906863 A2	7/1999
EP	2476603 A2	7/2012
GB	2327912 A	2/1999
GB	3013456	7/2003
GB	2396881 A	7/2004
GB	3024223	3/2006
JP	1400694	8/2010
JP	1444677	6/2012
WO	0212028 A1	2/2002

OTHER PUBLICATIONS

“2011 Aston Martin One-77.” Electronic Brochure., Jun. 22, 2010 [online], [retrieved on Sep. 5, 2014]. Retrieved from theInternet <URL: http://www.auto-brochures.com/makes/Aston_Martin/one-77/Aston%20Martin_int%20ne-77.pdf>.

“2012 Aston Martin Virage”, Online Review dated Mar. 21, 2012 (Retrieved from the Internet Jan. 20, 2016), Available at <http://www.autoblog.com/2012/03/21/2012-aston-martin-virage-review-road-test>.

“Aston Martin Sedan/Lagonda Spy Photos”. Found online Mar. 21, 2016 at forums.nasioc.com. Page dated May 9, 2014. Retrieved from <http://forums.nasioc.com/forums/showthread.php?t=2628222>.

“Car Wheels Design”, Online Blog dated Oct. 13, 2011 (Retrieved from the Internet Jan. 20, 2016), Available at <http://wheelsdesigns.blogspot.com/2011/10/aston-martin-wheels.html>.

“eAutoZine: Aston Martin Lagonda Returns in Summer 2014”. Found online Mar. 21, 2016 at eautozine.com. Page dated Jun. 22, 2014. Retrieved from <http://www.eautozine.com/page/4/>.

1976 and 1987 Aston Marlin Lagonda, [online], [site visited Jul. 24, 2014], Available from Internet, <URL: <http://www.astonmartin.com/heritage/past-models/lagonda>>, 2 pages.

2003 Aston Martin DB7 Vantage, [online], [site visited Jan. 3, 2014], Available from Internet, <URL: <http://www.conceptcarz.com/view/photo/291097,6877/2003-Aston-Martin-DB7-Vantage.aspx>>, 2 pages.

2011 Aston Martin Rapide, [online article Feb. 4, 2010, [site visited Jan. 3, 2014], Available from Internet, <URL: http://www.roadandtrack.com/car-reviews/first-drives/photos-2011-aston-martin-rapide?click=main_sr#slide-1>, 6 pages.

2014 Aston Martin Rapide S, announced Dec. 30, 2013, [online], [site visited Jan. 31, 2014], Available from Internet, <URL: <http://www.astonmartin.com/en-us/cars/rapide-s>>, 35 pages.

Aston Martin 2013, “Aston Martin Centenary Celebration Programme,” 2013; 204 pages.

Aston Martin DB9 Brochure; Website[online]: <http://www.auto-brochures.com>, Jan. 27, 2012 [retrieved on Oct. 22, 2013]. Retrieved from the internet: <URL: http://www.auto-brochures.com/makes/Aston_Martin/db9/Aston%20Martin_int%20DB9_1.pdf>, 41 pages.

Aston Martin IDBS Brochure; Website[online]: <http://www.auto-brochures.com>, Jan. 27, 2012 [retrieved on Oct. 10, 2013]. Retrieved from the Internet: <URL: http://www.auto-brochures.com/makes/Aston_Martin/dbs/Aston%20Martin_int%20DBS_1.pdf>, 62 pages.

Aston Martin, “Vulcan”, <http://www.astonmartin.com/vulcan> [Retrieved from the Internet on Oct. 21, 2016], 2 Pages.

European Patent Office; PCT International Preliminary Examination Report dated Dec. 5, 2002; PCT/GB01/03563; 11 pages.

European Patent Office; PCT International Search Report dated Nov. 21, 2001; PCT/GB01/03563; 3 pages.

European Patent Office; PCT Written Opinion dated Aug. 21, 2002; PCT/GB01/03563; 5 pages.

European Patent Office; PCT Written Opinion dated Mar. 6, 2002; PCT/GB01/03563; 5 pages.

Youtube, “First Look: Aston Martin Vulcan—Geneva 2015”, <https://www.youtube.com/watch?v=weY6qeOJIBe>, Published Mar. 5, 2015, 2 Pages.

“Extremely Striking ‘Bespoke’ Aston Martin Super-Saloon Spied”. Found online Mar. 21, 2016 at forums.vwvortex.com. Page dated May 8, 2014. Retrieved from <http://forums.vwvortex.com/showthread.php?6969673-Extremely-striking-quot-Bespoke-quot-Aston-Martin-super-saloon-spied-Built-by-0-by-Aston-Martin-will-be-very-limited-run-could-be-badged-Lagonda>.

Carrion, Annette. “2014 Aston Martin Vanquish Volante Neiman Marcus . . .” European Car Web., Jun. 22, 2010 [online], [retrieved on Sep. 5, 2014]., Retrieved from the Internet <URL: http://www.europeancarweb.com/news/1311_2014_aston_martin_vanquish_volante_neiman_marcus_edition/pholo_06.html>.

Vijayenthiran, Viknesh. “Aston Martin Builds and Sells Two CC100 Speedsters: Report.” Motor Authority., Jul. 26, 2013 [online], [retrieved on Sep. 5, 2014]., Retrieved from the Internet <URL: http://www.motorauthority.com/news/1085797_aston-martin-builds-and-sells-two-cc1GO-speedsters-report>.

2008 Aston Martin DB9 Grill & Front View Photo. Website[online]: <http://www.motortrend.com>, Jun. 12, 2008 [retrieved Oct. 22, 2013]., Retrieved from the Internet: <URL: http://www.motortrend.com/cars/2008/aston_martin/db9/photos/exterior/grill_front_view.html>; 1 page.

* cited by examiner

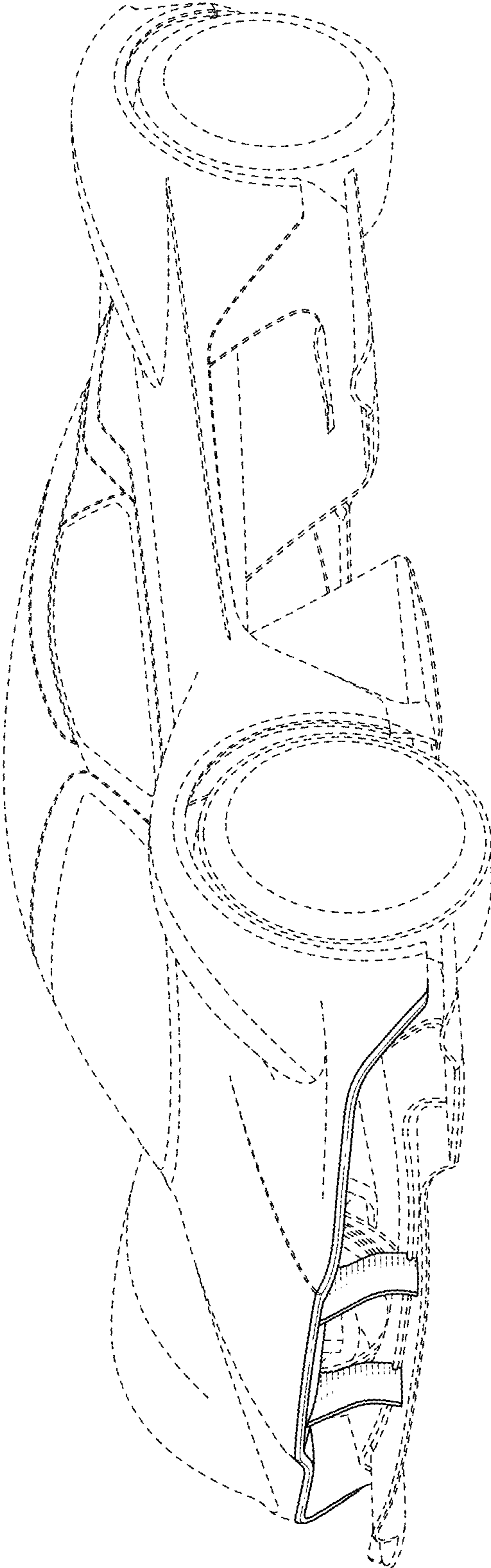


FIG. 1

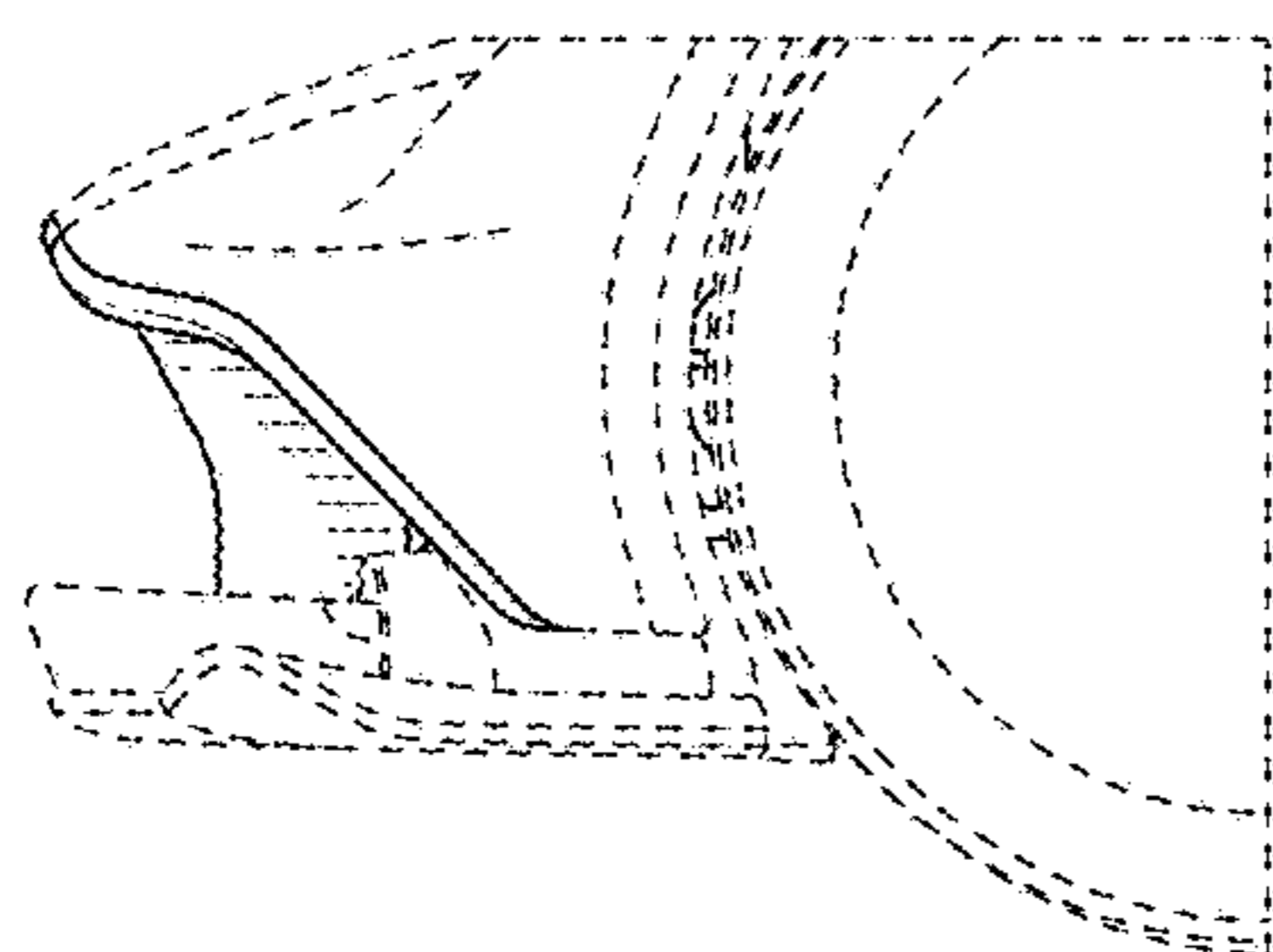


FIG. 2

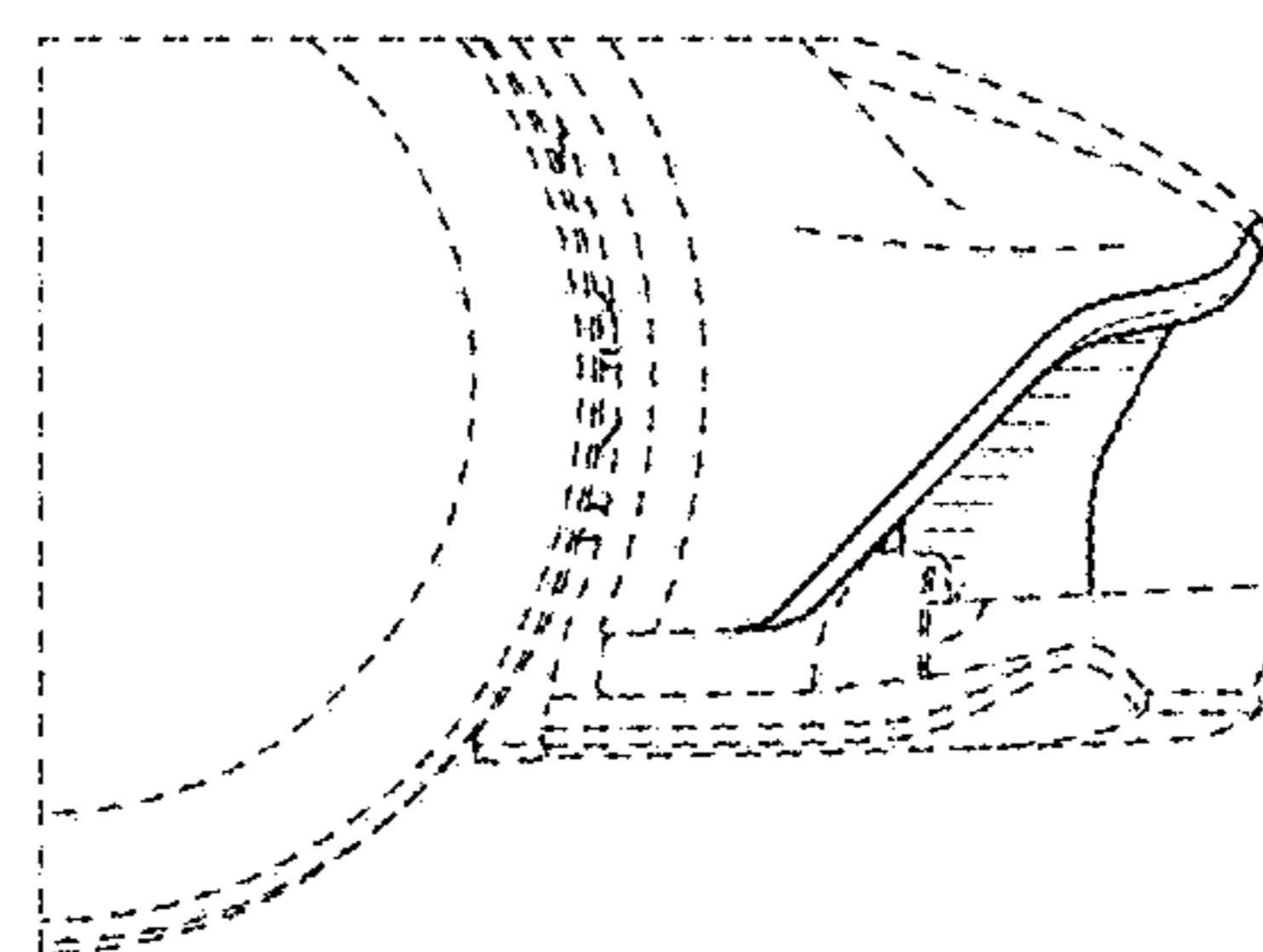


FIG. 3

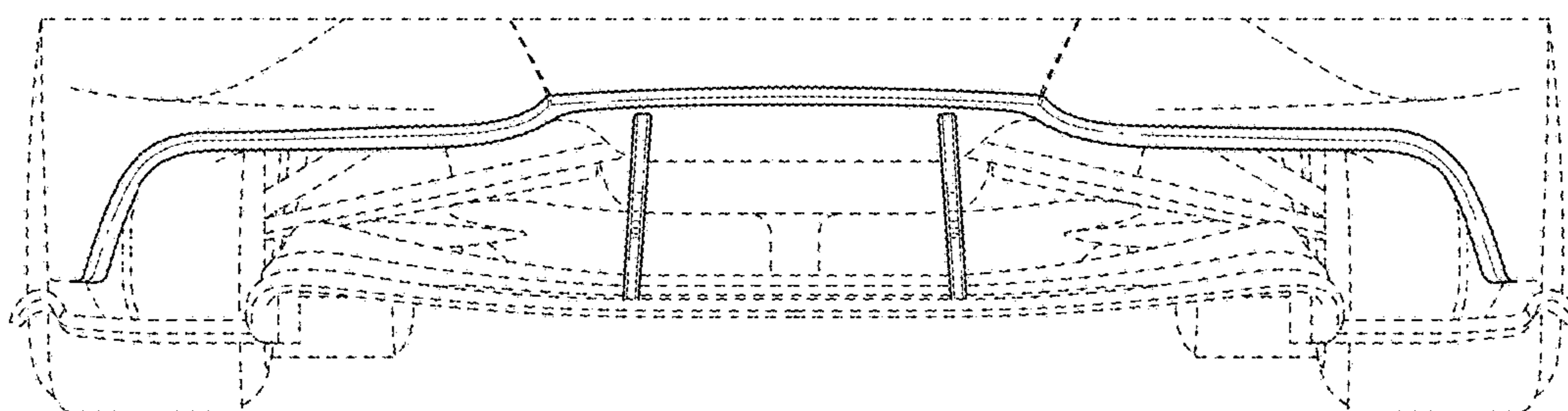


FIG. 4

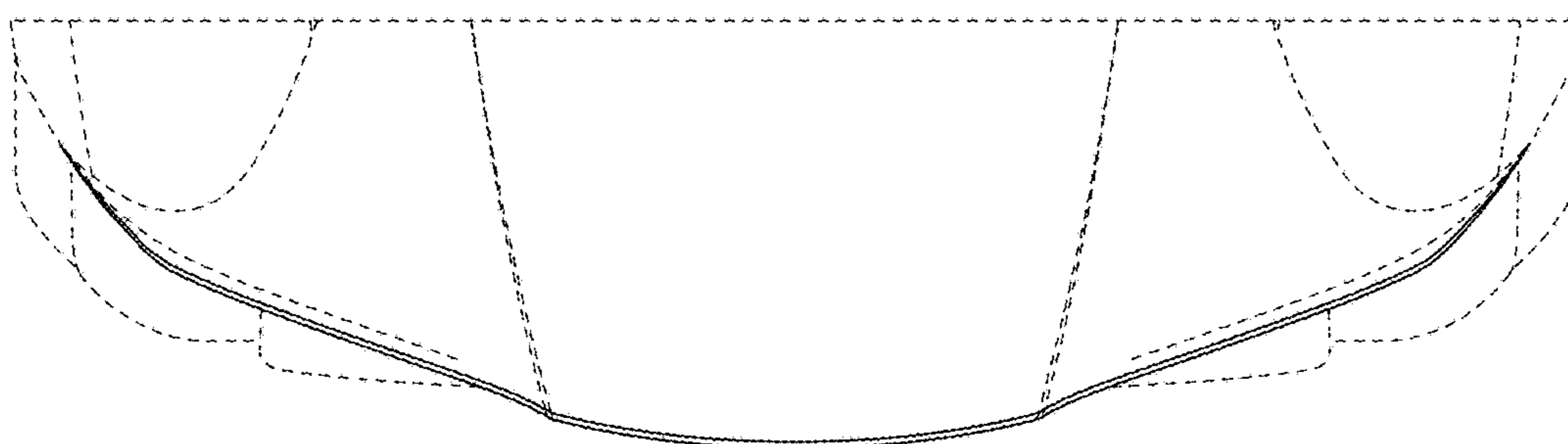


FIG. 5