



US00D815993S

(12) **United States Design Patent** (10) **Patent No.:** **US D815,993 S**  
**Kozub et al.** (45) **Date of Patent:** **\*\* Apr. 24, 2018**

(54) **VEHICLE GRILLE**  
(71) Applicant: **GM GLOBAL TECHNOLOGY OPERATIONS LLC**, Detroit, MI (US)  
(72) Inventors: **Timothy P. Kozub**, Troy, MI (US); **Evan Mai**, Ypsilanti, MI (US); **Gary W. Ruiz**, Royal Oak, MI (US)  
(73) Assignee: **GM Global Technology Operations LLC**, Detroit, MI (US)

(\*\*) Term: **15 Years**

(21) Appl. No.: **29/535,408**

(22) Filed: **Aug. 6, 2015**

(51) **LOC (11) Cl.** ..... **12-16**

(52) **U.S. Cl.**  
USPC ..... **D12/163**

(58) **Field of Classification Search**  
USPC ..... D12/86, 90, 91, 92, 163, 169, 196, 171, D12/216; D15/31; 180/68.1, 68.6; 293/103, 115, 117, 120, 193.1, 193.11  
CPC . B60R 19/52; B60R 2019/525; B60K 11/085; B62D 25/084; H01Q 1/32  
See application file for complete search history.

(56) **References Cited**

**U.S. PATENT DOCUMENTS**

D570,742 S 6/2008 Takagi et al.  
D592,105 S 5/2009 Dean et al.  
D597,447 S 8/2009 Folden  
D600,595 S 9/2009 Nakamura et al.  
D601,925 S 10/2009 O'Donnell  
D603,755 S 11/2009 Peters  
D604,203 S 11/2009 O'Donnell  
D605,082 S 12/2009 Munson  
D605,083 S 12/2009 Manoogian, II et al.  
D605,977 S 12/2009 Zipfel et al.

D605,978 S 12/2009 Wolff et al.  
D608,249 S 1/2010 Peters  
D608,690 S 1/2010 Folden et al.  
D608,691 S 1/2010 Zak, Jr. et al.  
D609,608 S 2/2010 Boniface et al.  
D610,052 S \* 2/2010 Watanabe ..... D12/163  
D611,387 S 3/2010 Thompson et al.  
D611,879 S 3/2010 Kim et al.  
D612,297 S 3/2010 Peters et al.  
D613,645 S 4/2010 Song et al.  
D615,458 S 5/2010 Thompson et al.  
D618,595 S 6/2010 Ware et al.  
D623,090 S 9/2010 Cox et al.  
D627,262 S 11/2010 Ikeda et al.  
D635,488 S 4/2011 Phipps  
D640,610 S \* 6/2011 Schell ..... D12/163  
D644,147 S 8/2011 Suh et al.  
D644,567 S 9/2011 Kozub  
D645,795 S \* 9/2011 Ishibashi ..... D12/163  
D645,796 S \* 9/2011 Osawa ..... D12/163  
D657,718 S 4/2012 Zipfel et al.  
D659,052 S 5/2012 Ware et al.  
D659,053 S 5/2012 Ware et al.  
D659,600 S \* 5/2012 Oya ..... D12/163  
D665,313 S \* 8/2012 Asakura ..... D12/163  
D665,315 S \* 8/2012 Matsuno ..... D12/163

(Continued)

*Primary Examiner* — Darlington Ly

(74) *Attorney, Agent, or Firm* — Reising Ethington P.C.

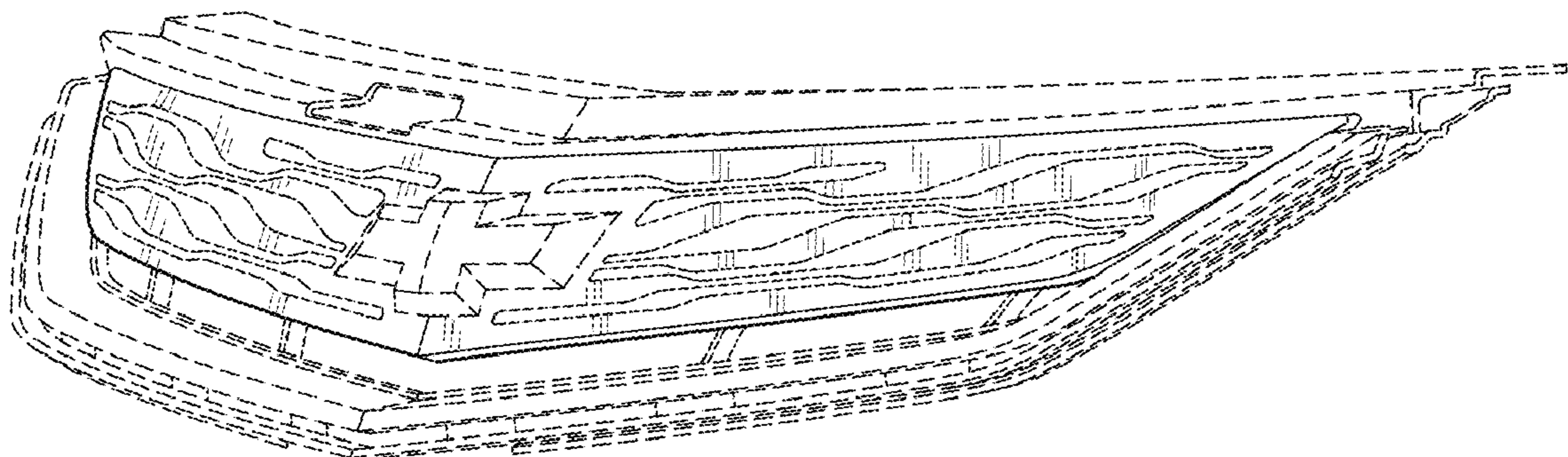
(57) **CLAIM**

The ornamental design for a vehicle grille, as shown and described.

**DESCRIPTION**

FIG. 1 is a perspective view of the vehicle grille;  
FIG. 2 is a side elevation thereof;  
FIG. 3 is a top plan view thereof; and,  
FIG. 4 is a front view thereof.  
The broken lines in the drawings illustrate portions of the vehicle grille that form no part of the claimed design.

**1 Claim, 1 Drawing Sheet**



(56)

References Cited

U.S. PATENT DOCUMENTS

D665,710 S *	8/2012	Matsuno .....	D12/163	D705,699 S	5/2014	Ware et al.	
D668,182 S	10/2012	Barba Franco		D713,298 S	9/2014	Dyson	
D668,183 S	10/2012	Smart		D713,764 S	9/2014	Ferlazzo	
8,348,312 B2 *	1/2013	Bailey .....	B60K 11/08 180/68.6	D716,197 S *	10/2014	Terui .....	D12/163
D678,820 S	3/2013	Son et al.		D716,696 S	11/2014	Thole et al.	
D678,821 S	3/2013	Ikeda et al.		D716,706 S *	11/2014	Thole .....	D12/163
D680,034 S *	4/2013	Sugiura .....	D12/163	D716,709 S	11/2014	Thole et al.	
D680,909 S	4/2013	Munson et al.		D717,217 S *	11/2014	Murakawa .....	D12/163
D680,910 S	4/2013	David		D717,696 S	11/2014	Thole et al.	
D680,918 S *	4/2013	Yamada .....	D12/163	D718,189 S	11/2014	Krieg et al.	
D682,165 S *	5/2013	Yoshinaga .....	D12/163	D718,683 S	12/2014	Thole et al.	
D684,899 S	6/2013	Baker		D721,020 S *	1/2015	Hanaoka .....	D12/163
D686,536 S	7/2013	McCabe et al.		D722,282 S	2/2015	Loeb	
D692,798 S	11/2013	Thurber		D722,533 S	2/2015	Thole et al.	
D692,799 S	11/2013	Smith et al.		D722,534 S	2/2015	Munson et al.	
D696,157 S	12/2013	Loeb		D722,543 S *	2/2015	Kato .....	D12/163
D699,629 S	2/2014	Ikeda et al.		D724,510 S	3/2015	McMahan et al.	
D700,871 S	3/2014	O'Donnell et al.		D725,001 S	3/2015	McMahan et al.	
D703,103 S	4/2014	Lee		D730,776 S	6/2015	Smart	
D704,103 S	5/2014	Mack et al.		D730,783 S	6/2015	Henriques et al.	
D705,132 S	5/2014	Ware et al.		D732,435 S	6/2015	Mackay	
				D735,627 S	8/2015	Smith	
				D736,451 S	8/2015	Smith	
				D749,985 S *	2/2016	Kozub .....	D12/92
				D755,088 S *	5/2016	McMahan .....	D12/163

\* cited by examiner



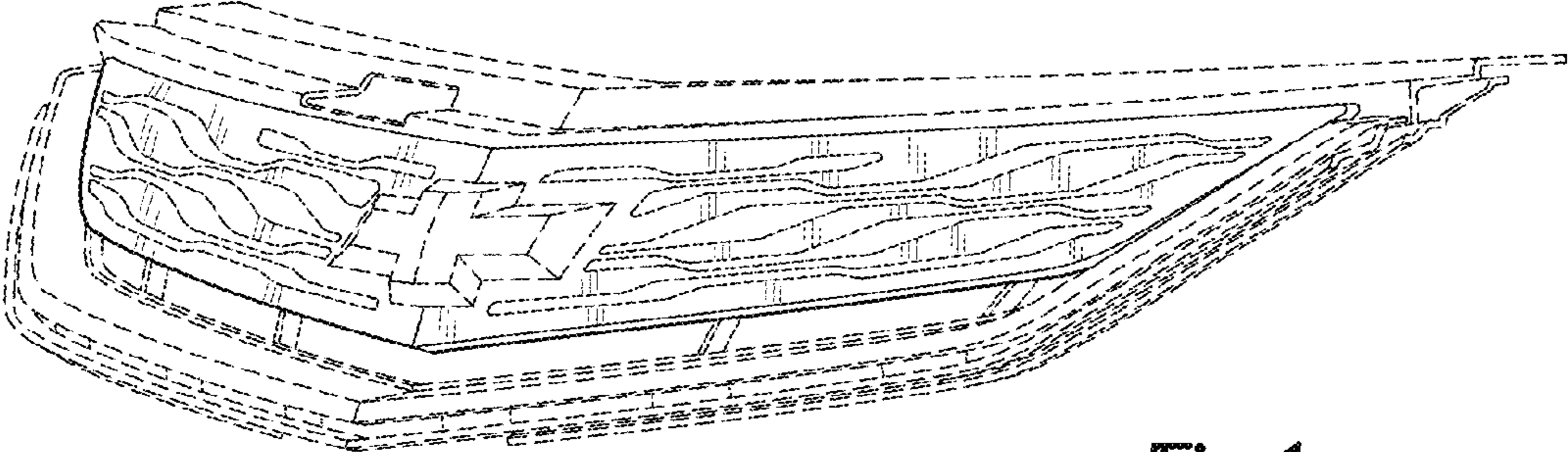


Fig. 1

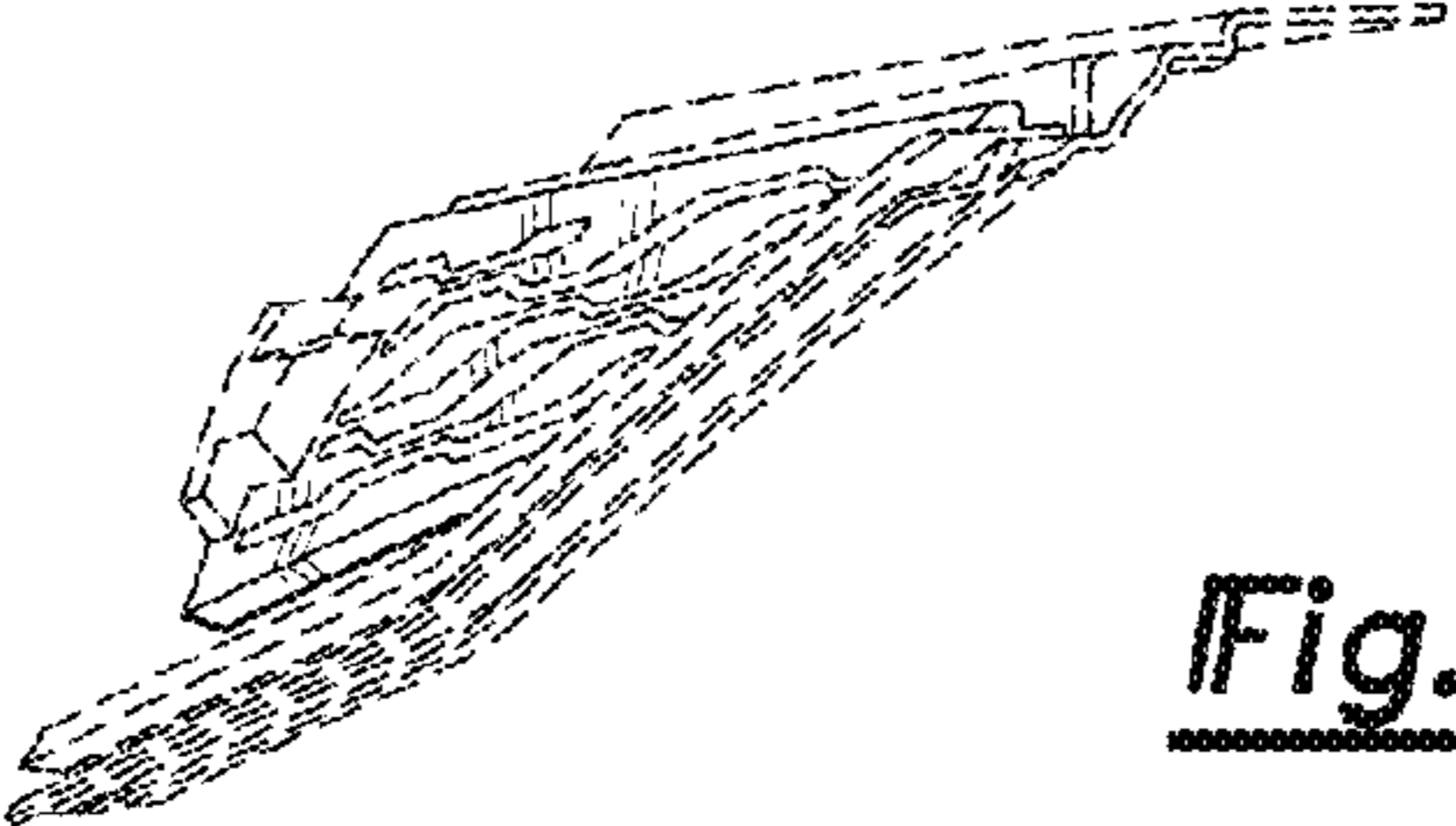


Fig. 2

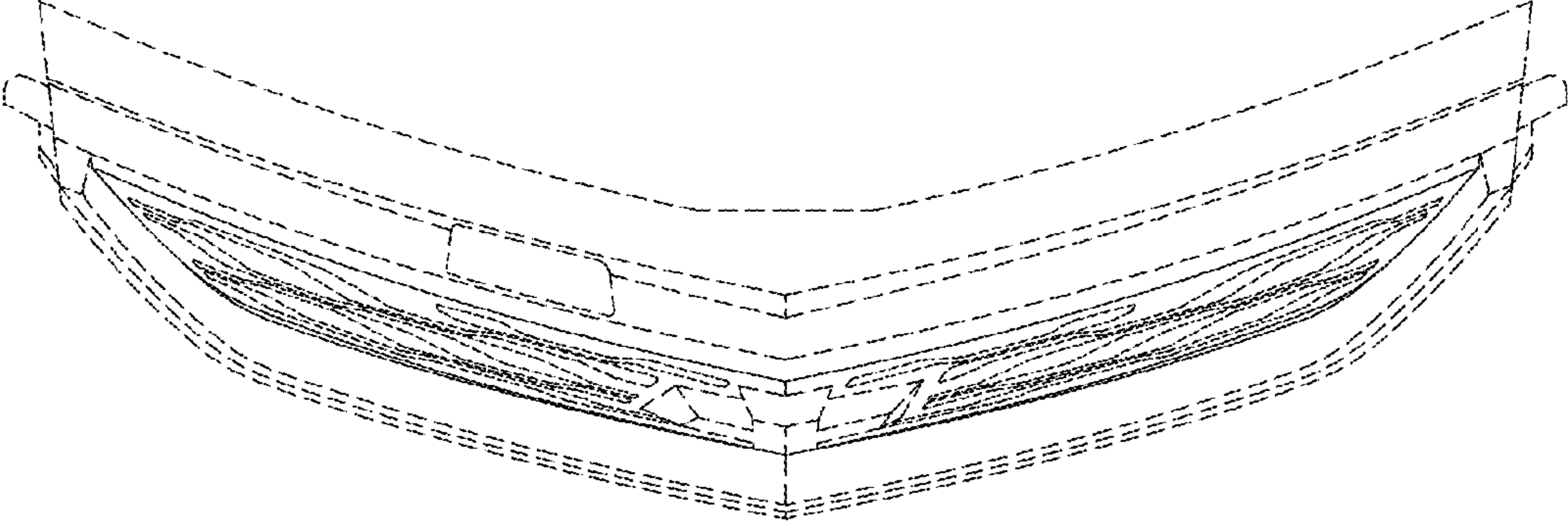


Fig. 3

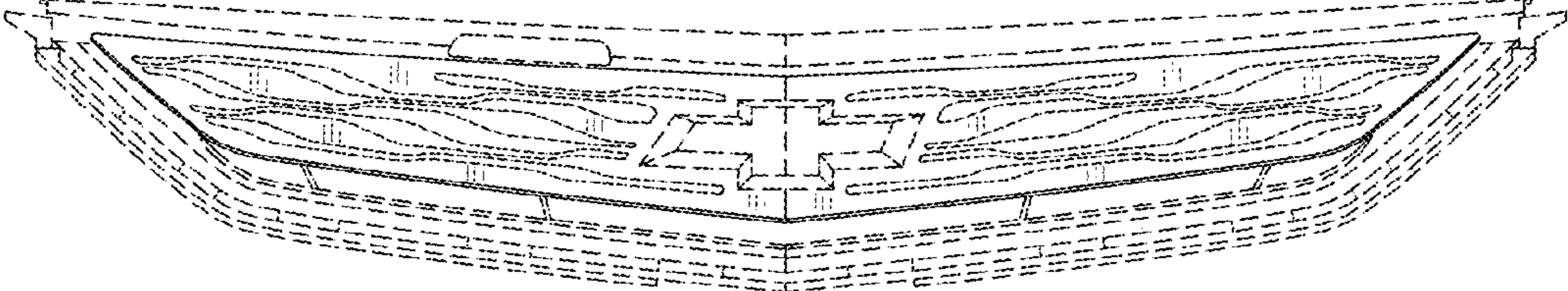


Fig. 4