



US00D815992S

(12) **United States Design Patent**  
**Augustijn et al.**

(10) **Patent No.:** **US D815,992 S**  
(45) **Date of Patent:** **\*\* Apr. 24, 2018**

(54) **AUTONOMOUS MOBILE HEALTH CARE ROBOT**

(71) Applicant: **ROBOT CARE SYSTEMS B.V.**, The Hague (NL)

(72) Inventors: **Diederik Augustijn**, Voorburg (NL); **Koos Munneke**, Rotterdam (NL); **Remi Veenman**, Heemstede (NL)

(73) Assignee: **Robot Care Systems B.V.**, The Hague (NL)

(\*\*) Term: **15 Years**

(21) Appl. No.: **35/501,052**

(22) Filed: **Mar. 22, 2016**

(80) **Hague Agreement Data**

Int. Filing Date: **Mar. 22, 2016**

Int. Reg. No.: **DM/090826**

Int. Reg. Date: **Mar. 22, 2016**

Int. Reg. Pub. Date: **Jun. 10, 2016**

(51) **LOC (11) Cl.** ..... **12-12**

(52) **U.S. Cl.**  
USPC ..... **D12/130**

(58) **Field of Classification Search**  
USPC ..... D12/128-133; D24/107  
CPC ..... A61H 3/00; A61H 3/04; A61H 2003/001-2003/007; A61H 2003/043; A61H 2003/046  
See application file for complete search history.

(56) **References Cited**

**U.S. PATENT DOCUMENTS**

D524,702 S \* 7/2006 Haeggberg ..... D12/129  
7,559,560 B2 \* 7/2009 Li ..... A61H 3/04  
16/35 R

D598,680 S \* 8/2009 Birk ..... D12/133  
D654,407 S \* 2/2012 Zanderlehn ..... D12/131  
8,434,780 B2 \* 5/2013 Li ..... A61H 3/04  
135/67  
D739,314 S \* 9/2015 Wang ..... D12/130  
D751,468 S \* 3/2016 Stryker ..... D12/131  
D754,034 S \* 4/2016 Wang ..... D12/130  
D754,568 S \* 4/2016 Wang ..... D12/130  
D765,556 S \* 9/2016 Knopow ..... D12/130  
D772,113 S \* 11/2016 Knopow ..... D12/130  
D780,075 S \* 2/2017 Clement ..... D12/133

\* cited by examiner

*Primary Examiner* — Michael A. Pratt

(74) *Attorney, Agent, or Firm* — Schroeder Law PC

(57) **CLAIM**

The ornamental design for an autonomous mobile health care robot, as shown and described.

**DESCRIPTION**

1. Autonomous mobile health care robot

1.1 : Perspective, front, table down

1.2 : Perspective, back, table down

1.3 : Front, table down

1.4 : Back, tablet down

1.5 : Perspective, back, tablet up

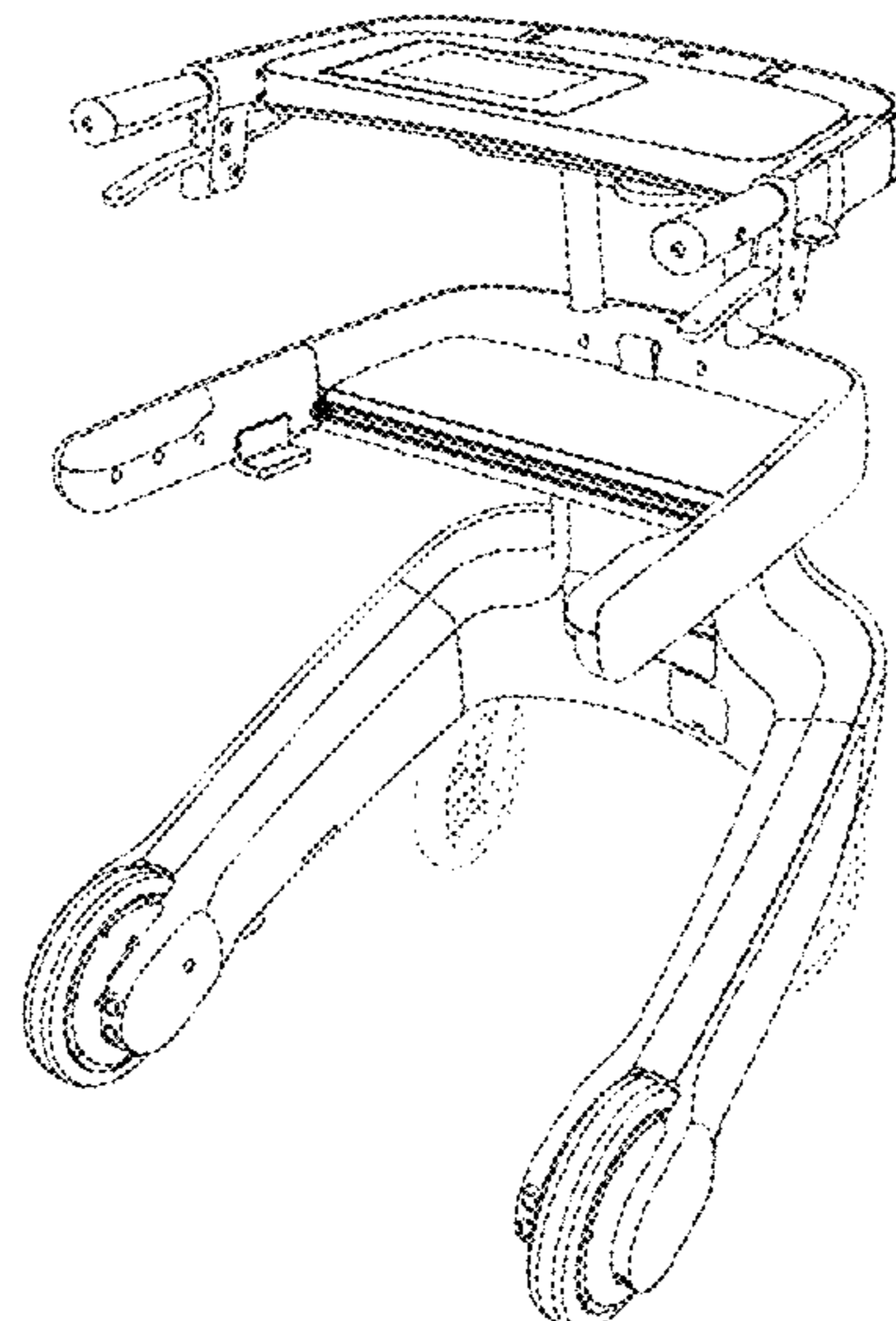
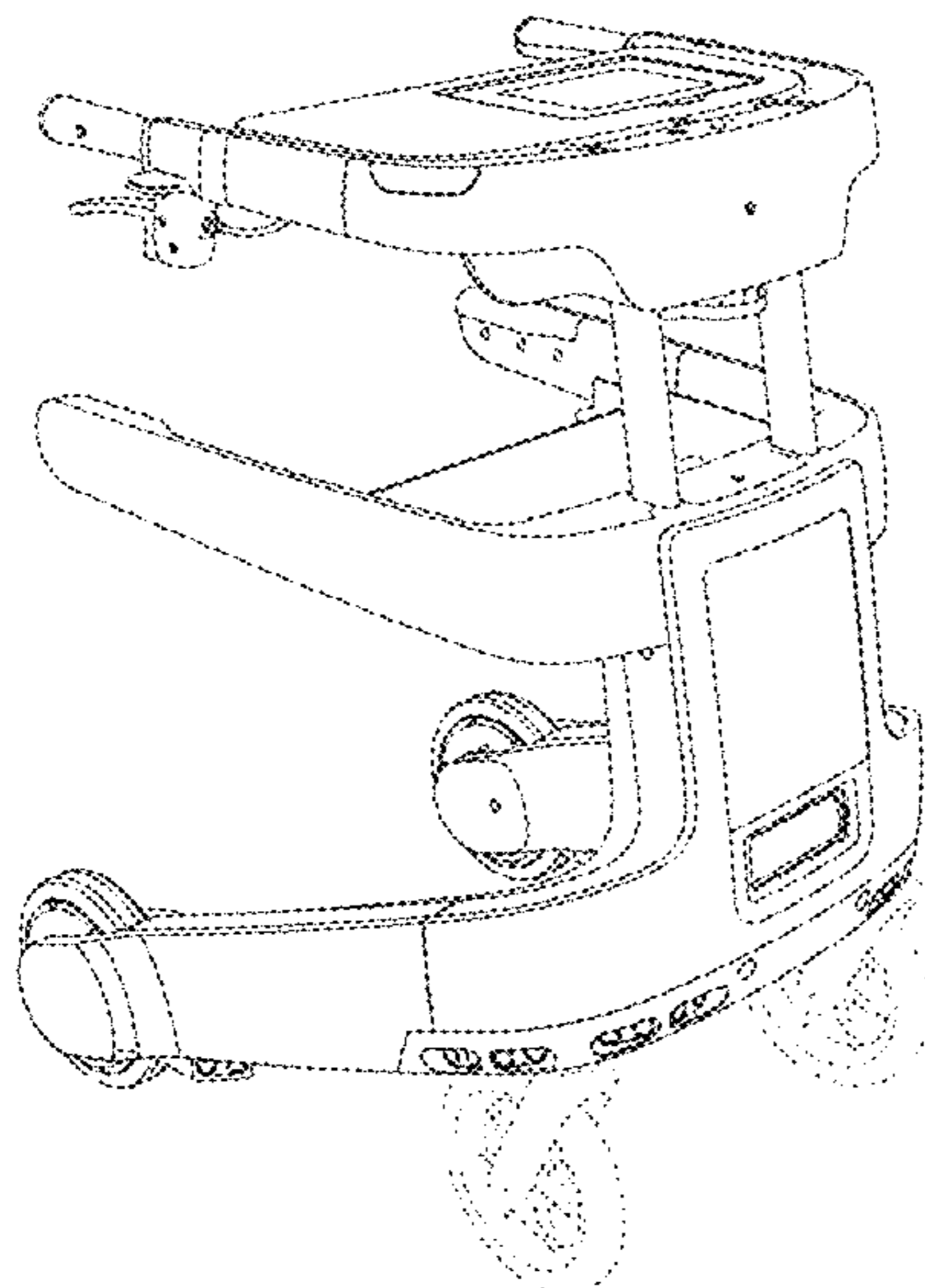
1.6 : Perspective, front, table up

1.7 : Perspective, back, table up

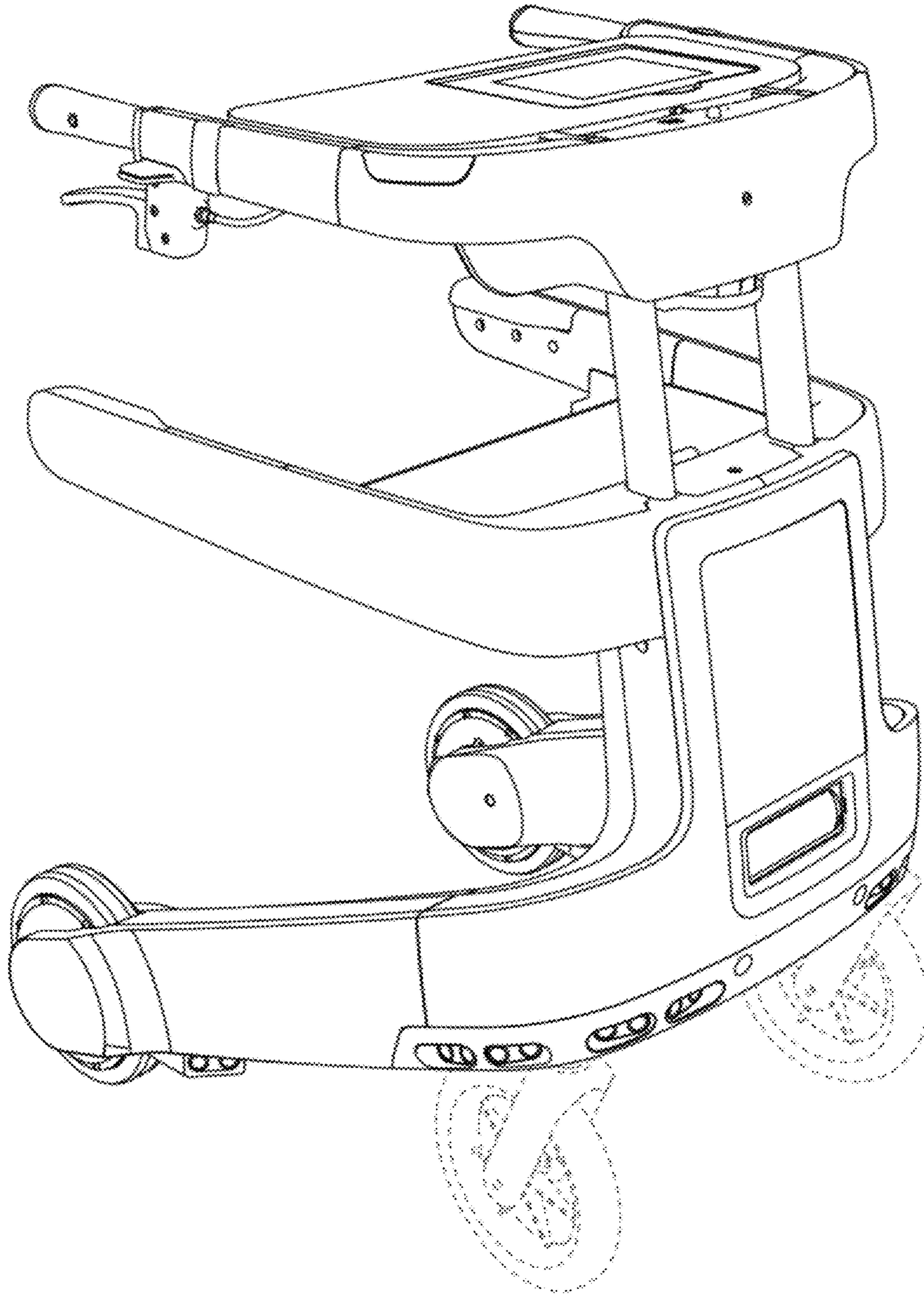
Figure 1.1: perspective front view; figure 1.2: perspective back view; figure 1.3: front view; figure 1.4: back view; figure 1.5: perspective back view with tablet up and table down; figure 1.6: perspective front view with table up and seat out; figure 1.7: perspective back view with table up and seat out.

The broken lines shown in Figures 1.1 through 1.7 are for the purpose of illustrating portions of the article that do not form part of the claimed design.

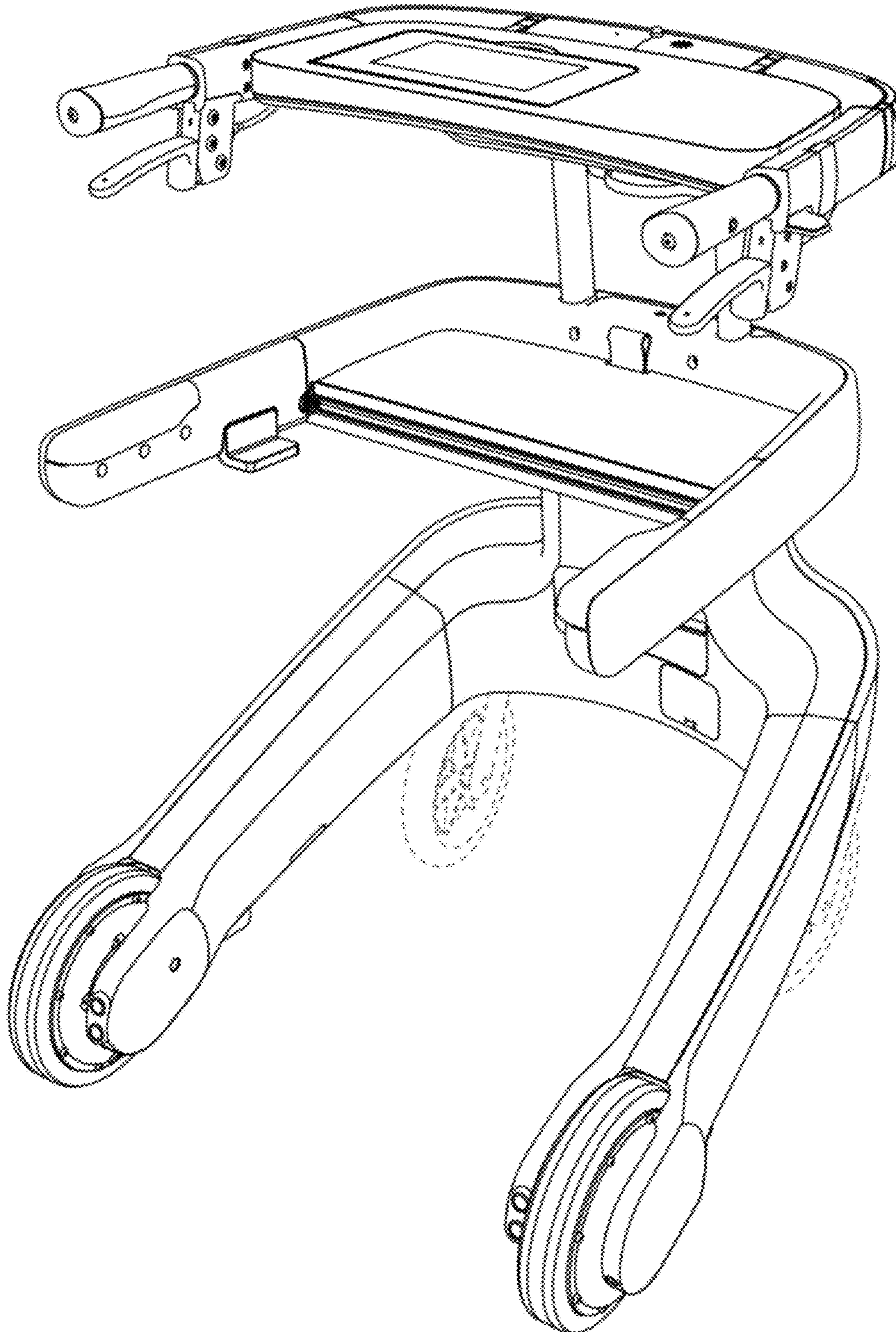
**1 Claim, 7 Drawing Sheets**



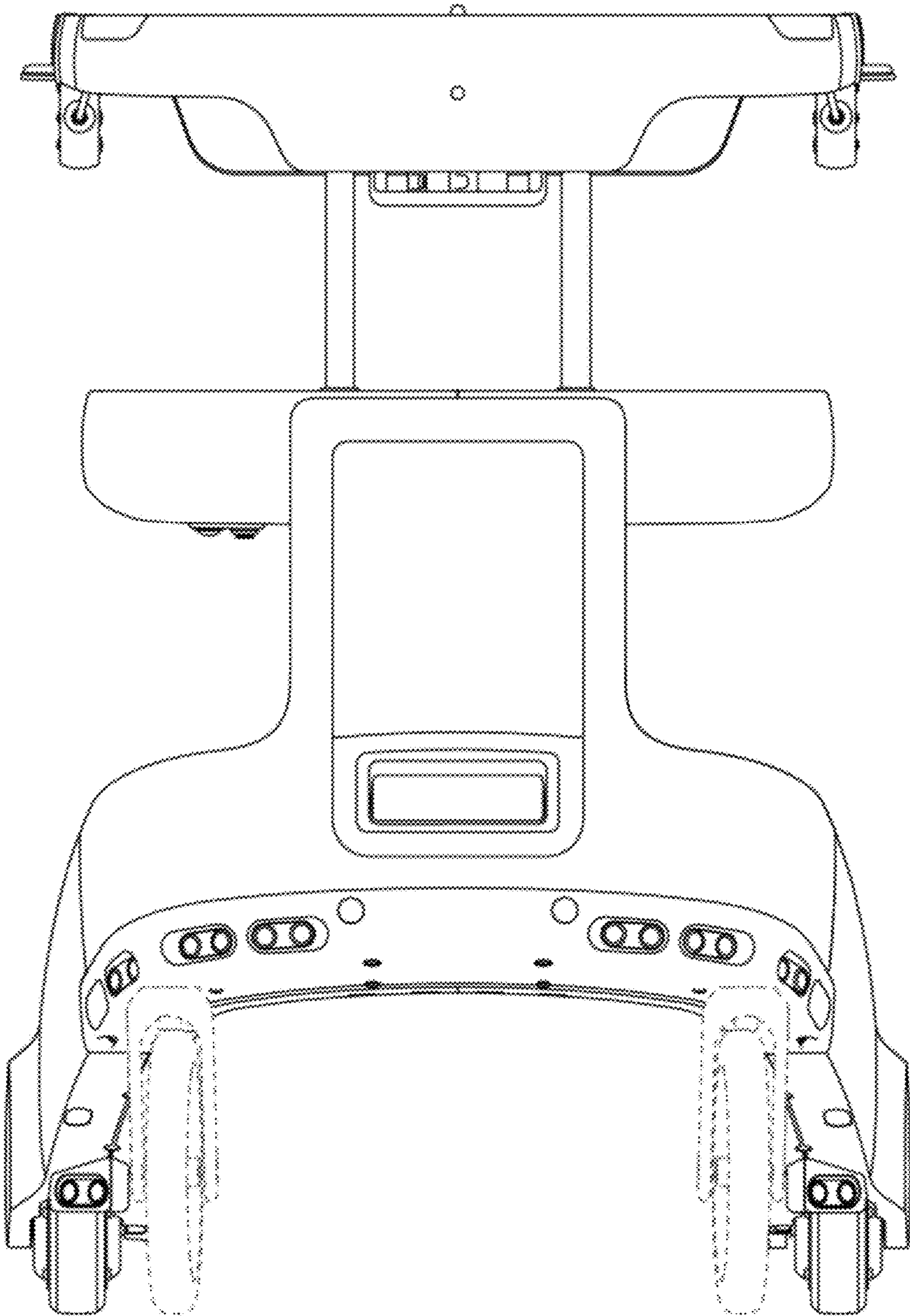
1.1



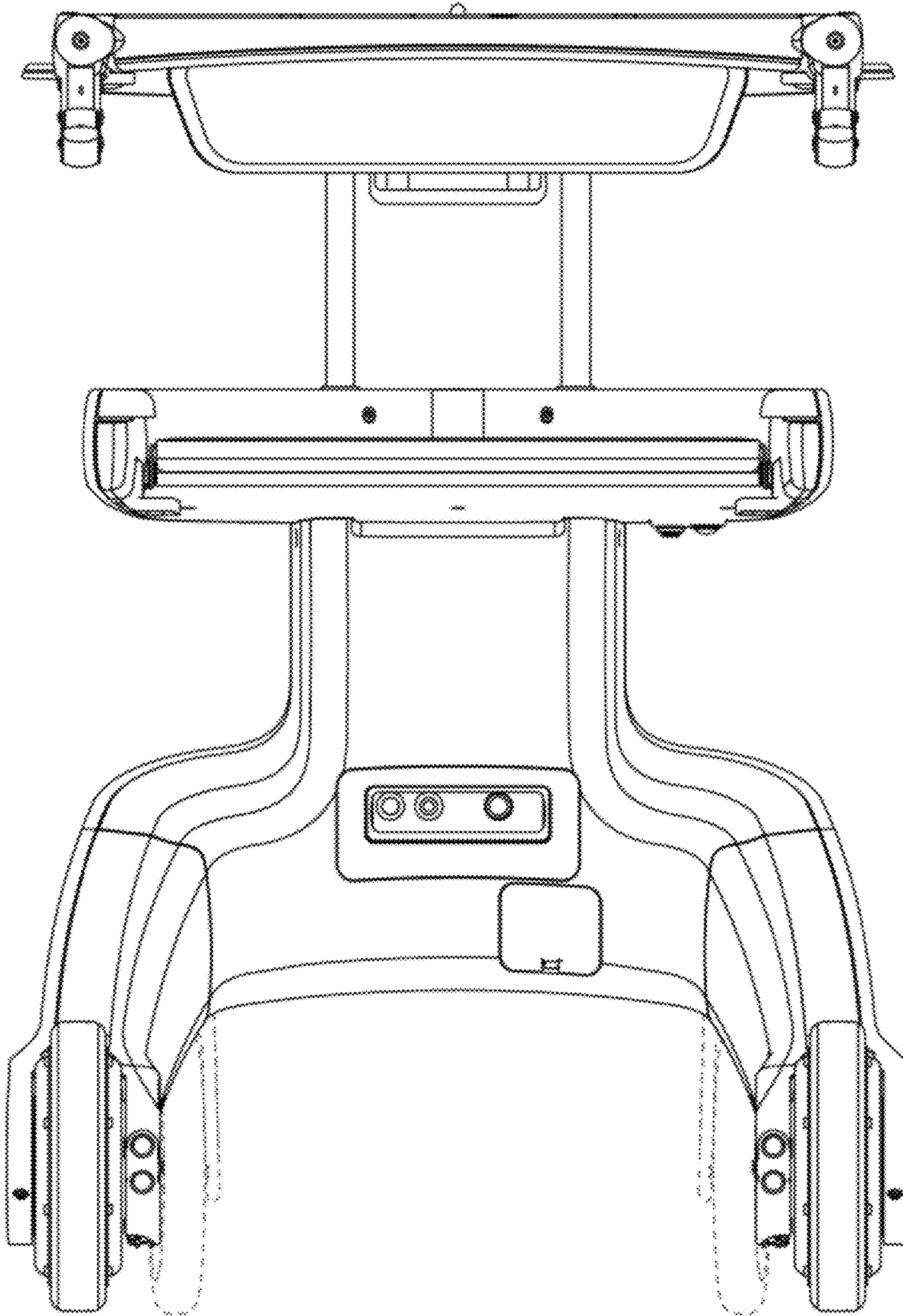
1.2



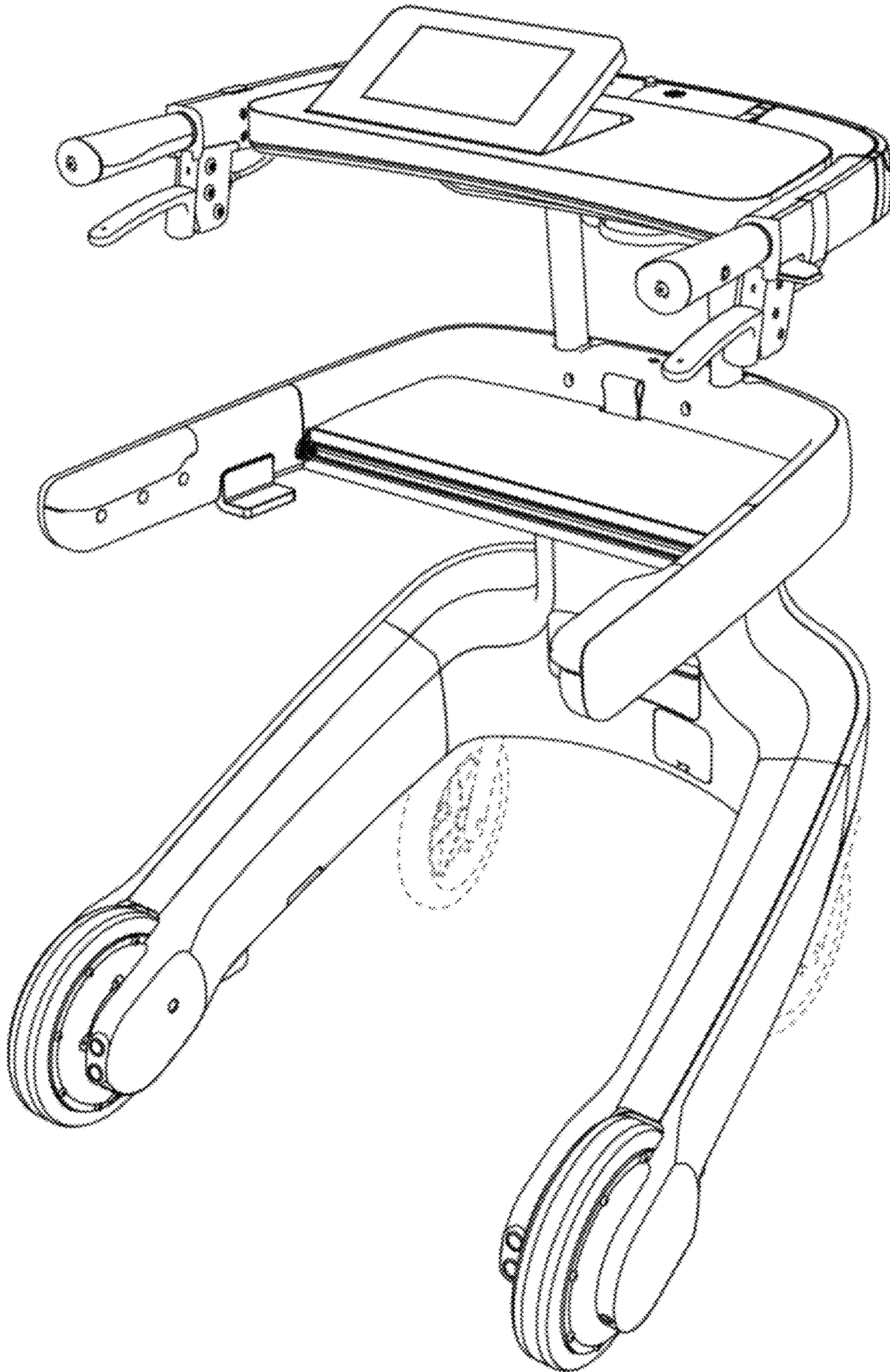
1.3



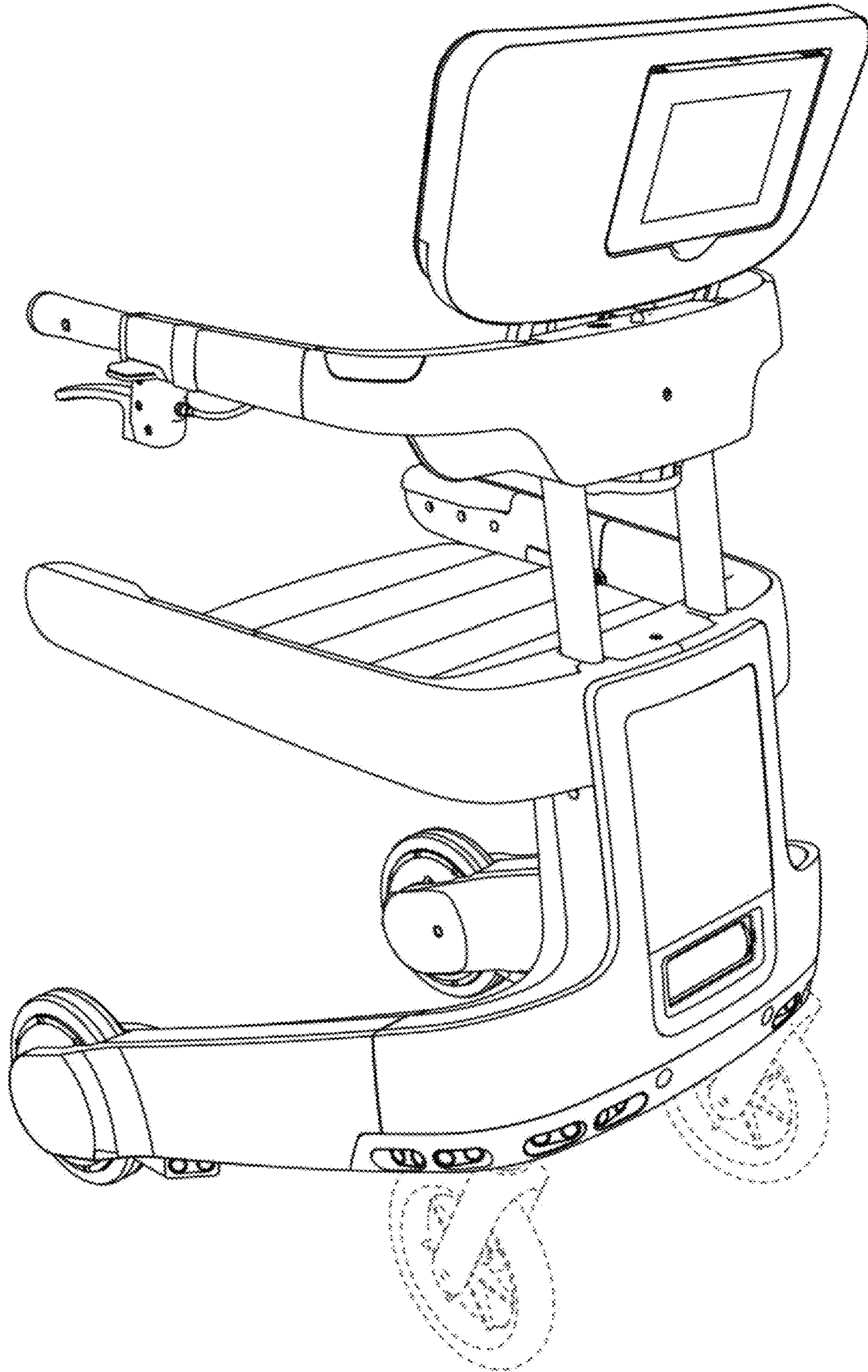
1.4



1.5



1.6



1.7

