



US00D815991S

(12) **United States Design Patent**
Clyde et al.

(10) **Patent No.:** **US D815,991 S**

(45) **Date of Patent:** **** Apr. 24, 2018**

- (54) **ELECTRIC MOTORBIKE**
- (71) Applicant: **UBCO LIMITED**, Tauranga (NZ)
- (72) Inventors: **Anthony Clyde**, Opotiki (NZ); **Daryl Neal**, Lower Hutt (NZ)
- (73) Assignee: **UBCO LIMITED**, Tauranga (NZ)
- (**) Term: **15 Years**
- (21) Appl. No.: **29/567,421**
- (22) Filed: **Jun. 8, 2016**
- (51) **LOC (11) Cl.** **12-11**
- (52) **U.S. Cl.**
USPC **D12/110; D12/111**
- (58) **Field of Classification Search**
USPC D12/110, 111, 117; D21/432, 538
CPC B62K 11/00; B62K 11/02; B62K 11/04;
B62K 11/10; B62K 17/00; B62K 19/00;
B62K 2202/00
See application file for complete search history.

- D432,952 S * 10/2000 Scruggs D12/110
- D446,476 S * 8/2001 Wallace D12/110
- D453,489 S * 2/2002 Wallace D12/110
- 6,464,031 B1 * 10/2002 Cobb B62K 11/04
180/205.4
- D483,698 S * 12/2003 Basura D12/111
- D485,789 S * 1/2004 Lai D12/111
- D591,203 S * 4/2009 Martin D12/110
- D645,791 S * 9/2011 Lee D12/110

* cited by examiner

Primary Examiner — Darlington Ly

(74) *Attorney, Agent, or Firm* — Greer, Burns & Crain, Ltd.

(57) **CLAIM**

The ornamental design for an electric motorbike, as shown and described.

DESCRIPTION

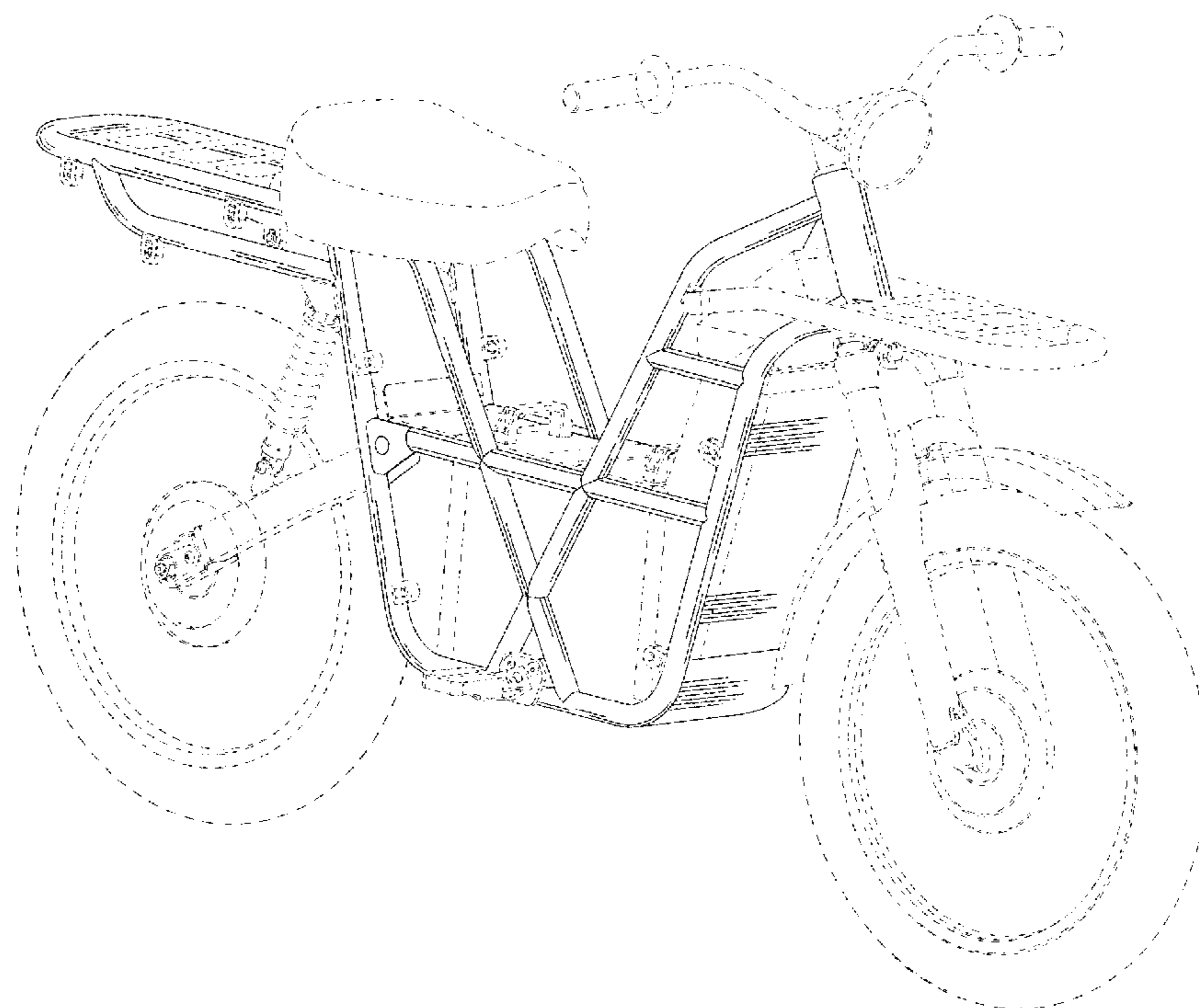
FIG. 1 is a front perspective view of an electric motorbike showing our new design;
 FIG. 2 is a rear elevation view thereof;
 FIG. 3 is a front elevation view thereof;
 FIG. 4 is a right side elevation view thereof;
 FIG. 5 is a left side elevation view thereof; and,
 FIG. 6 is a top plan view thereof.
 The broken lines in the drawings illustrate portions of the electric motorbike that form no part of the claimed design.

1 Claim, 6 Drawing Sheets

(56) **References Cited**

U.S. PATENT DOCUMENTS

- 2,445,058 A * 7/1948 Fields B62M 25/00
180/219
- 3,101,822 A * 8/1963 Clemens B60T 1/067
180/230
- 3,212,791 A * 10/1965 Edwins B62J 1/00
180/227
- D420,310 S * 2/2000 Spriggs D12/111



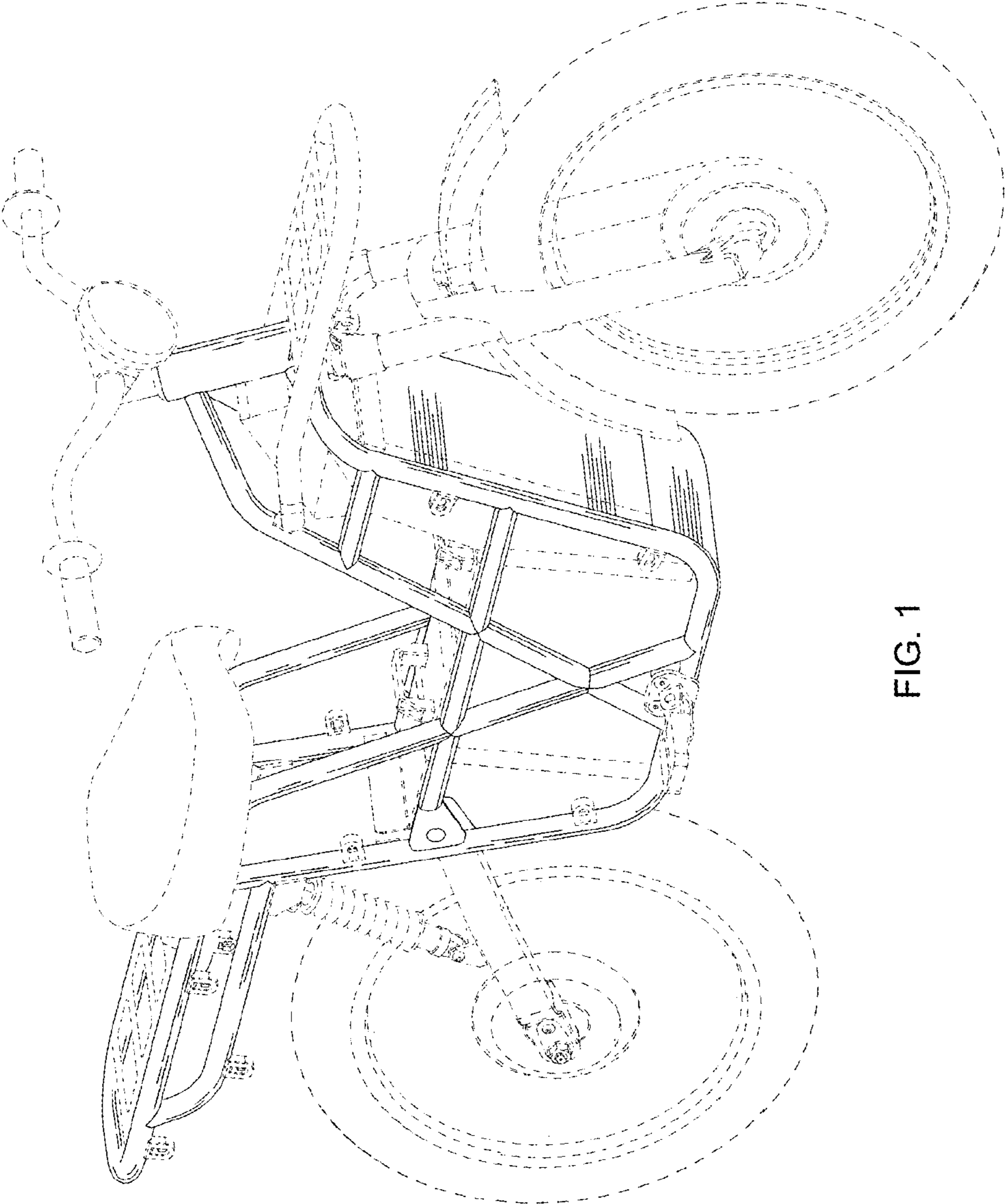


FIG. 1

FIG. 2

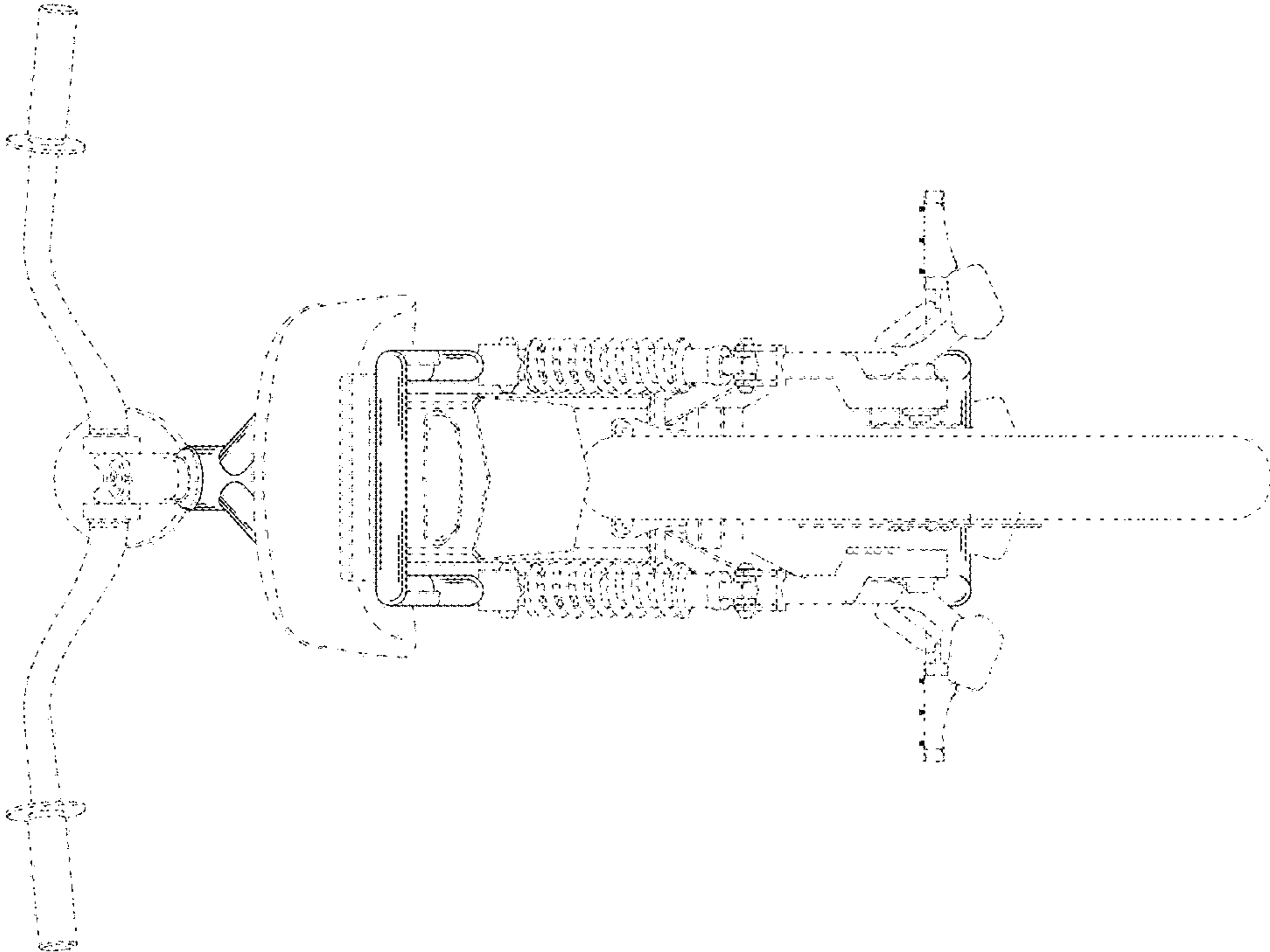
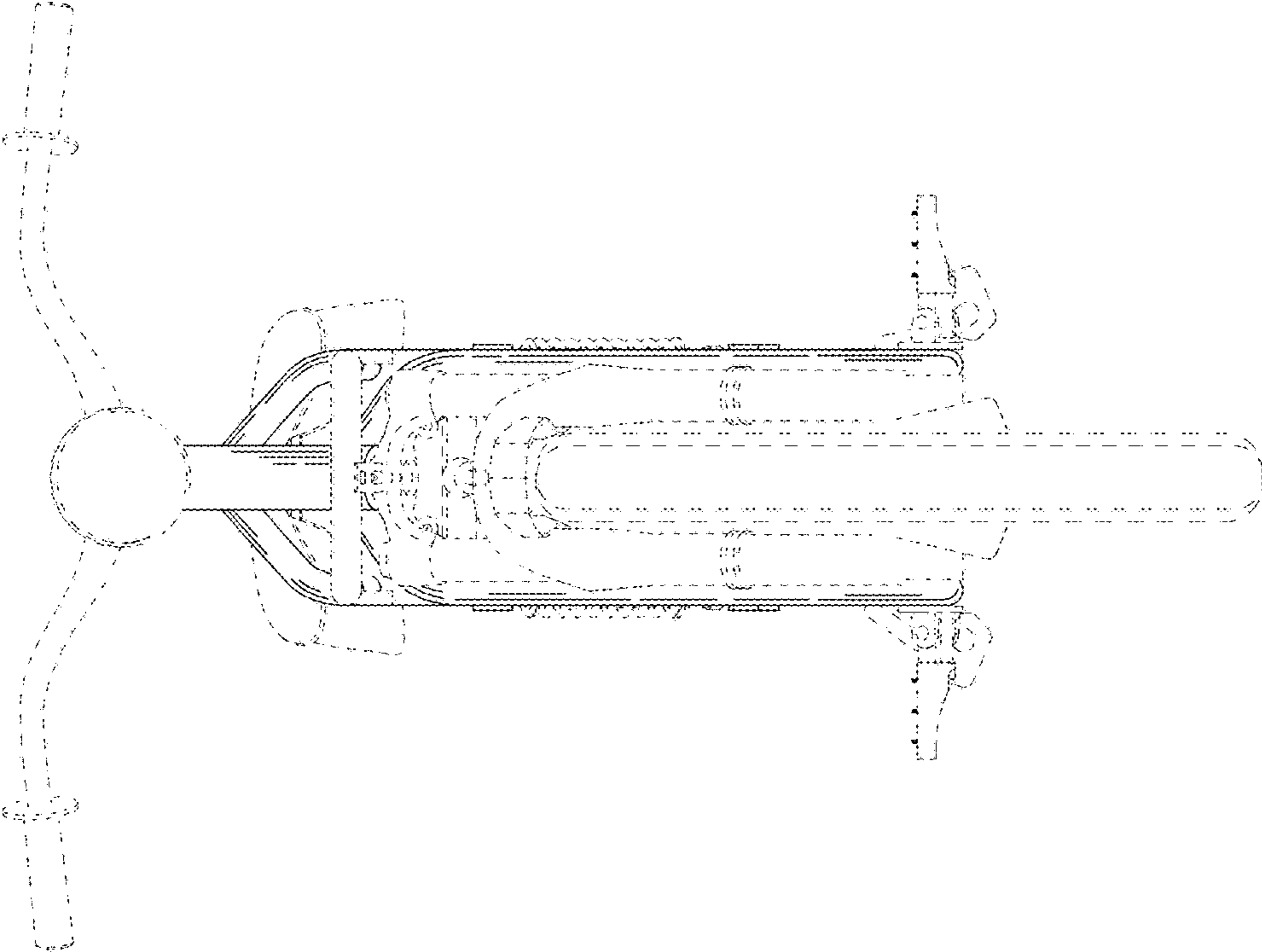


FIG. 3



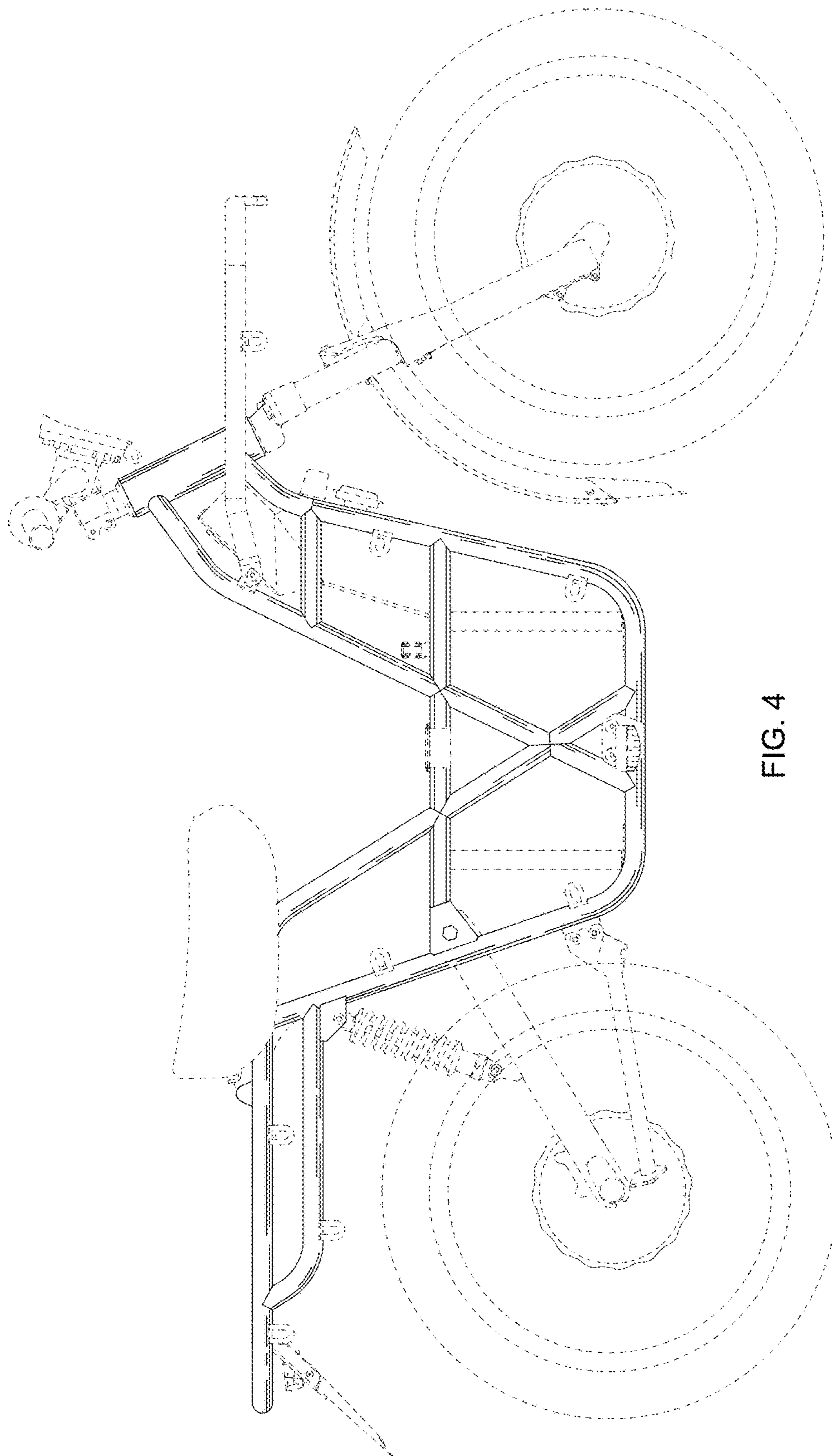


FIG. 4

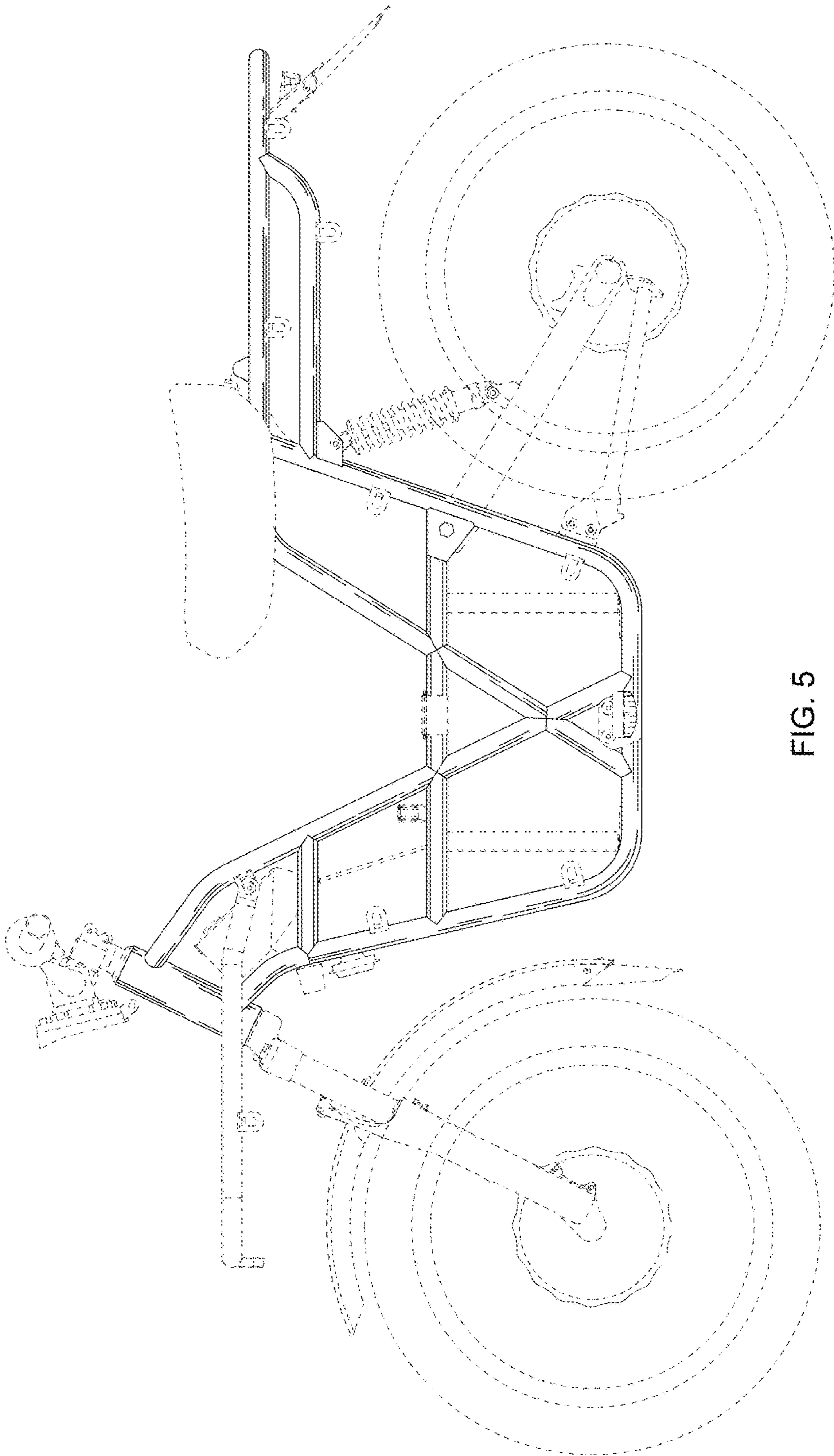


FIG. 5

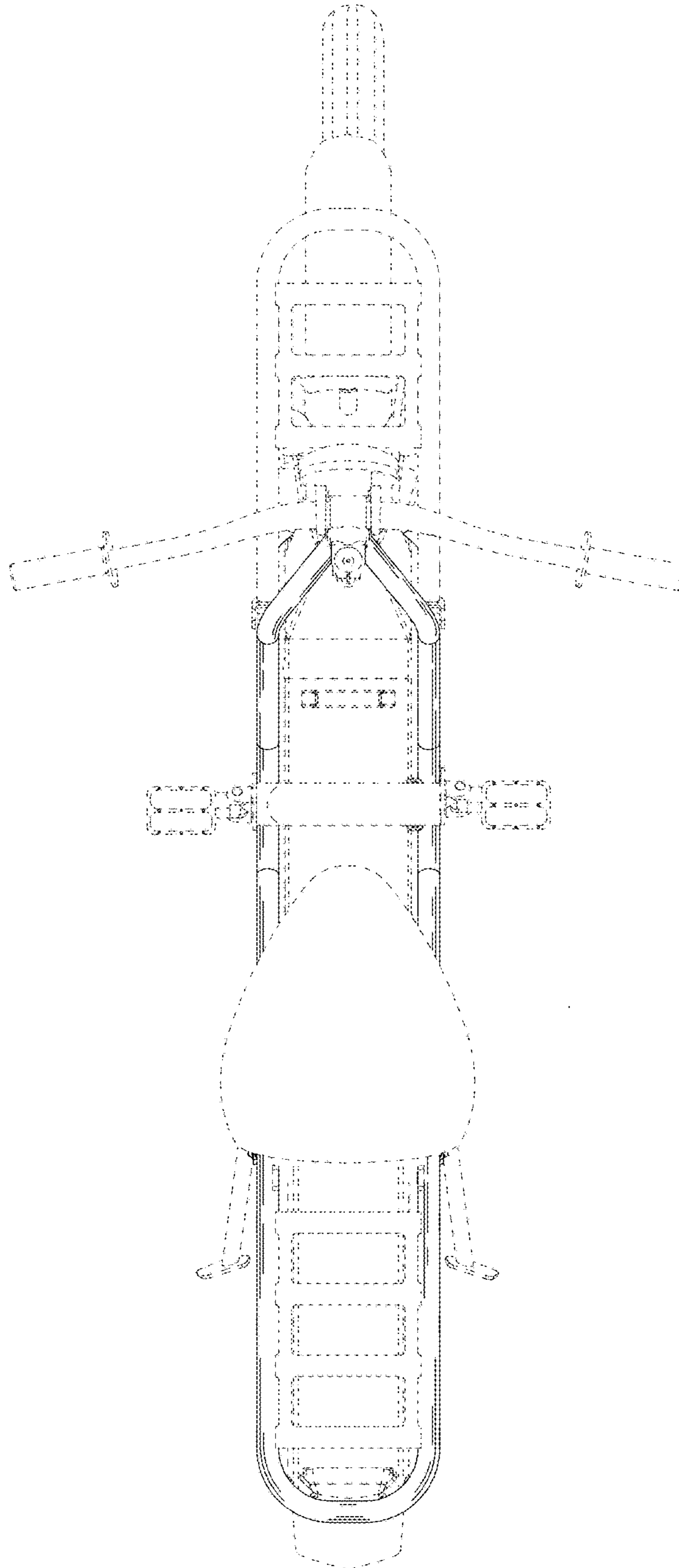


FIG. 6