



US00D815990S

(12) **United States Design Patent**
Jane Santamaria

(10) **Patent No.:** **US D815,990 S**
(45) **Date of Patent:** **** Apr. 24, 2018**

(54) **MOTORCYCLE**

(71) Applicant: **Vertigo Motors, S.L.**, Palau Solita I Plegamans (Barcelona) (ES)

(72) Inventor: **Manuel Jane Santamaria**, Palau Solita I Plegamans (ES)

(**) Term: **15 Years**

(21) Appl. No.: **29/553,735**

(22) Filed: **Feb. 4, 2016**

(30) **Foreign Application Priority Data**

Nov. 17, 2015 (EM) 002862375-0001

(51) **LOC (11) Cl.** **12-11**

(52) **U.S. Cl.**
USPC **D12/110**

(58) **Field of Classification Search**

USPC D12/110, 111, 117; D21/432, 538;
180/219, 220, 225, 229

CPC B62K 11/00; B62K 11/02; B62K 11/04;
B62K 11/10; B62K 17/00; B62K 19/00;
B62K 2202/00

See application file for complete search history.

(56) **References Cited**

U.S. PATENT DOCUMENTS

D368,242 S *	3/1996	Camfield	D12/111
D385,226 S *	10/1997	Mogi	D12/110
D387,017 S *	12/1997	Wakita	D12/110
D430,822 S *	9/2000	Sakaguchi	D12/110
D456,315 S *	4/2002	Sawabe	D12/110
D482,639 S *	11/2003	Yamamoto	D12/110
D513,481 S *	1/2006	Lin	D12/110
D523,783 S *	6/2006	Sugimoto	D12/110

D524,191 S *	7/2006	Sugimoto	D12/110
D526,249 S *	8/2006	Tanaka	D12/110
D581,840 S *	12/2008	Ichihara	D12/110
D583,714 S *	12/2008	Ichihara	D12/110
D590,302 S *	4/2009	Tanaka	D12/110
D594,784 S *	6/2009	Ichihara	D12/110
D598,330 S *	8/2009	Miyanishi	D12/110
D601,927 S *	10/2009	Watanabe	D12/110
D603,300 S *	11/2009	Fukuyama	D12/110
D609,609 S *	2/2010	Hayashi	D12/110
D609,610 S *	2/2010	Inose	D12/110
D621,301 S *	8/2010	Hayashi	D12/110
D632,226 S *	2/2011	Miyata	D12/110
D640,173 S *	6/2011	Oyanagi	D12/110
D652,769 S *	1/2012	Kudo	D12/110
D662,857 S *	7/2012	Petersson	D12/110
D662,858 S *	7/2012	Yamazaki	D12/110
D665,706 S *	8/2012	Oyanagi	D12/110
D685,682 S *	7/2013	Matsumura	D12/110
D735,087 S *	7/2015	Iimura	D12/110
D738,260 S *	9/2015	Akita	D12/110
D738,789 S *	9/2015	Inose	D12/110
D754,567 S *	4/2016	Iimura	D12/110

* cited by examiner

Primary Examiner — Darlington Ly

(74) *Attorney, Agent, or Firm* — Dowell & Dowell, P.C.

(57) **CLAIM**

The ornamental design for a motorcycle, as shown and described.

DESCRIPTION

FIG. 1 is a perspective view of a motorcycle showing my new design;

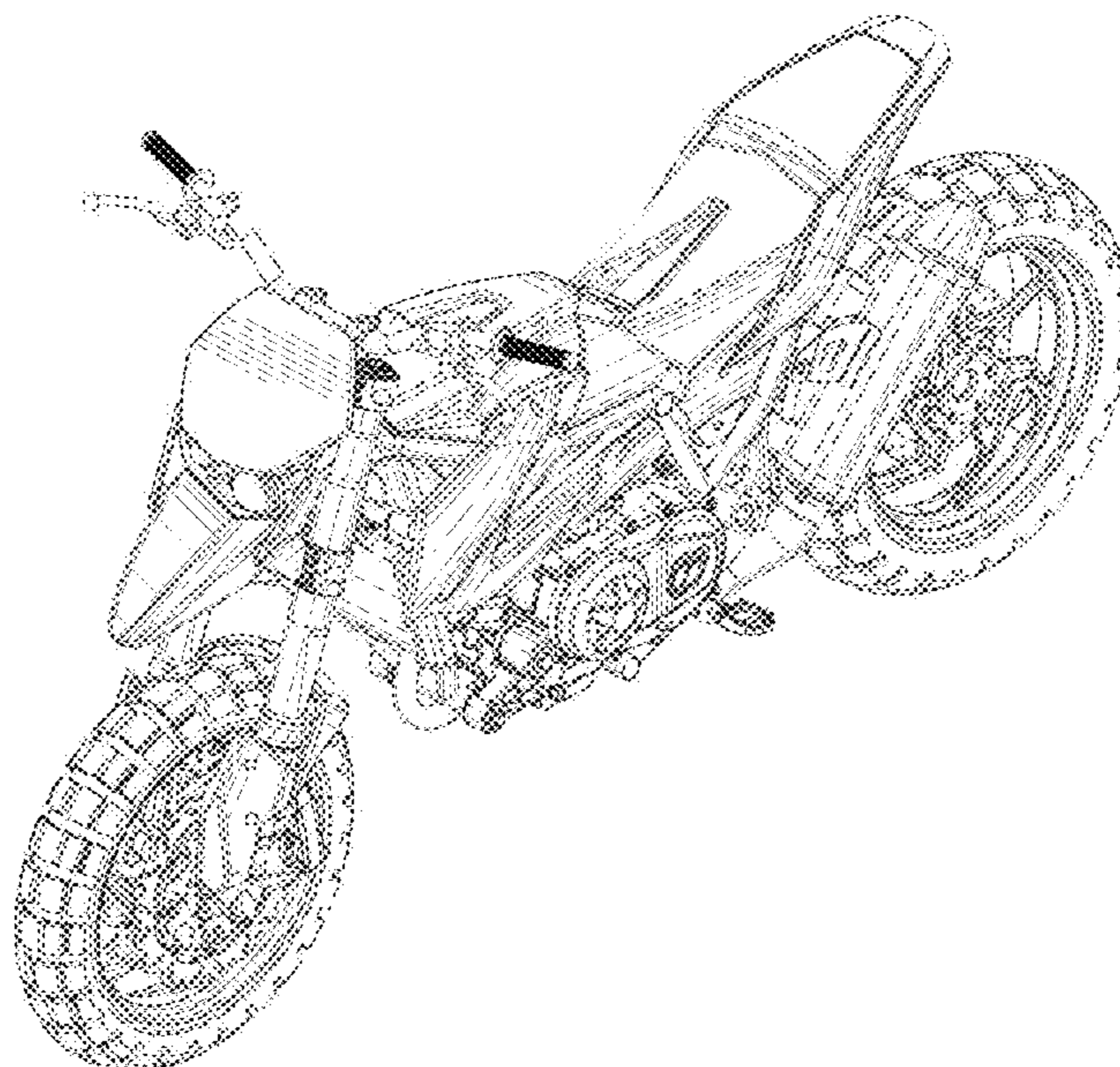
FIG. 2 is a left side elevation view thereof;

FIG. 3 is a front elevation view thereof;

FIG. 4 is a rear elevation view thereof; and,

FIG. 5 is a top plan view thereof.

1 Claim, 5 Drawing Sheets



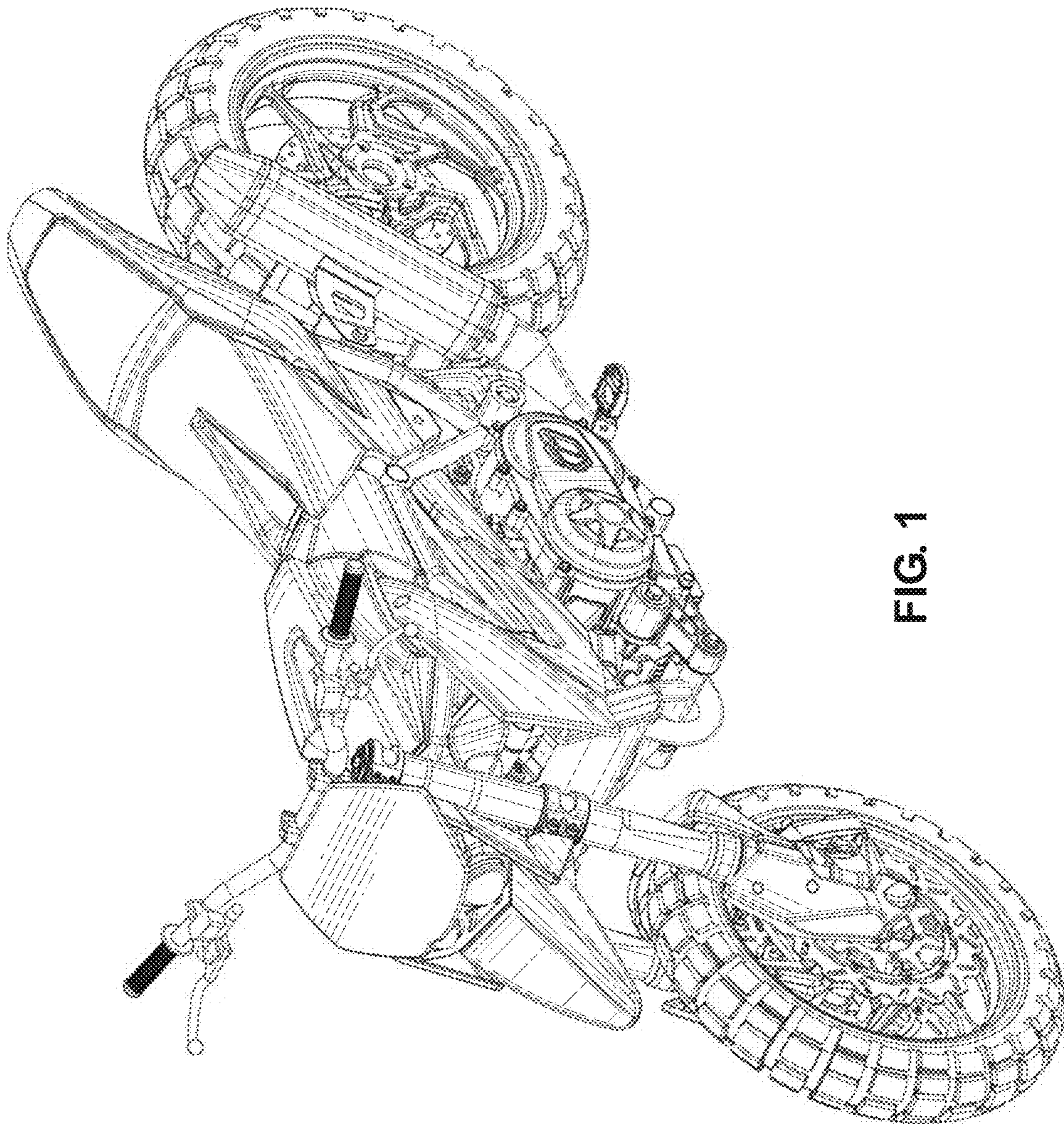


FIG. 1

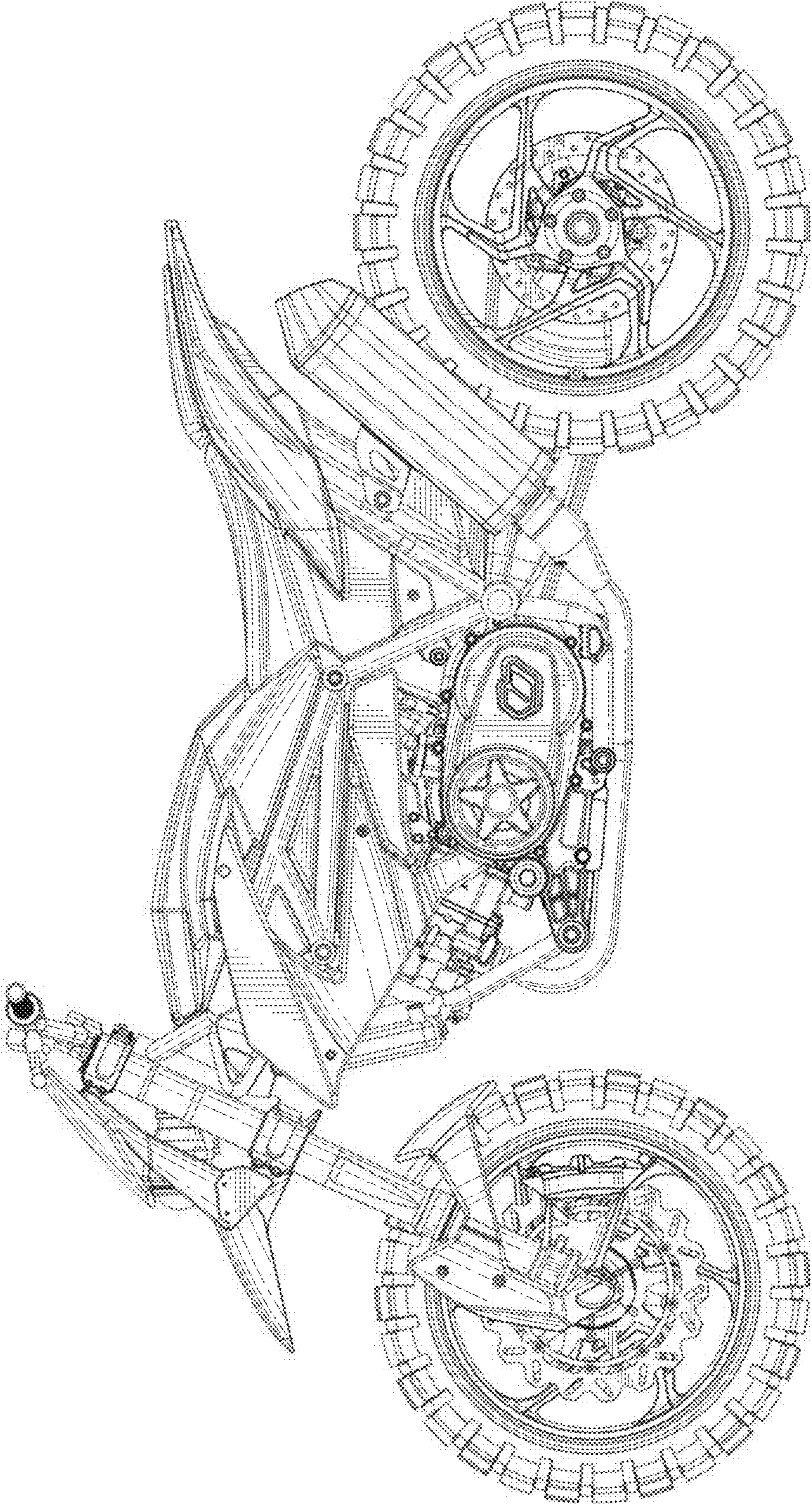


FIG. 2

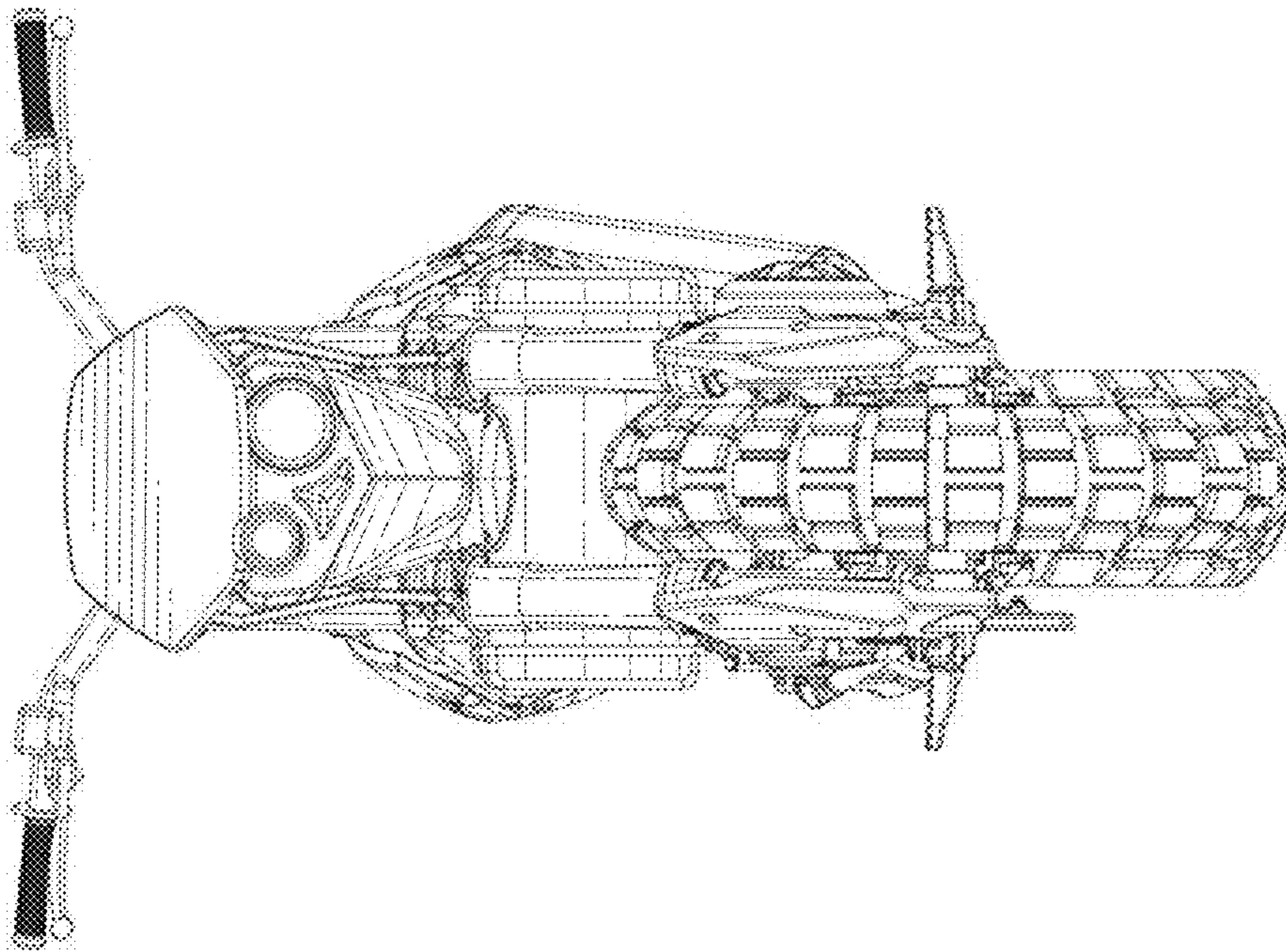


FIG. 3

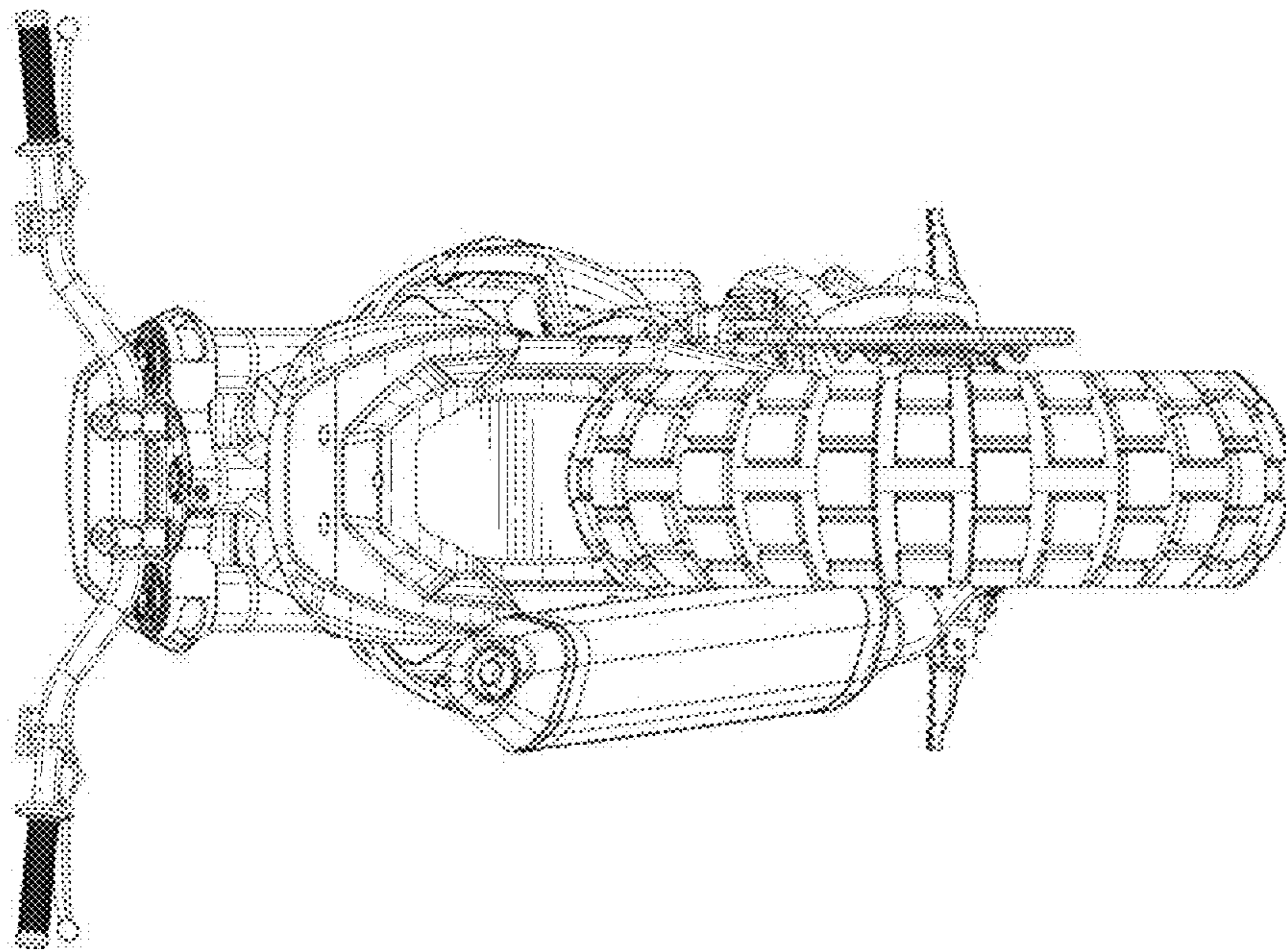


FIG. 4

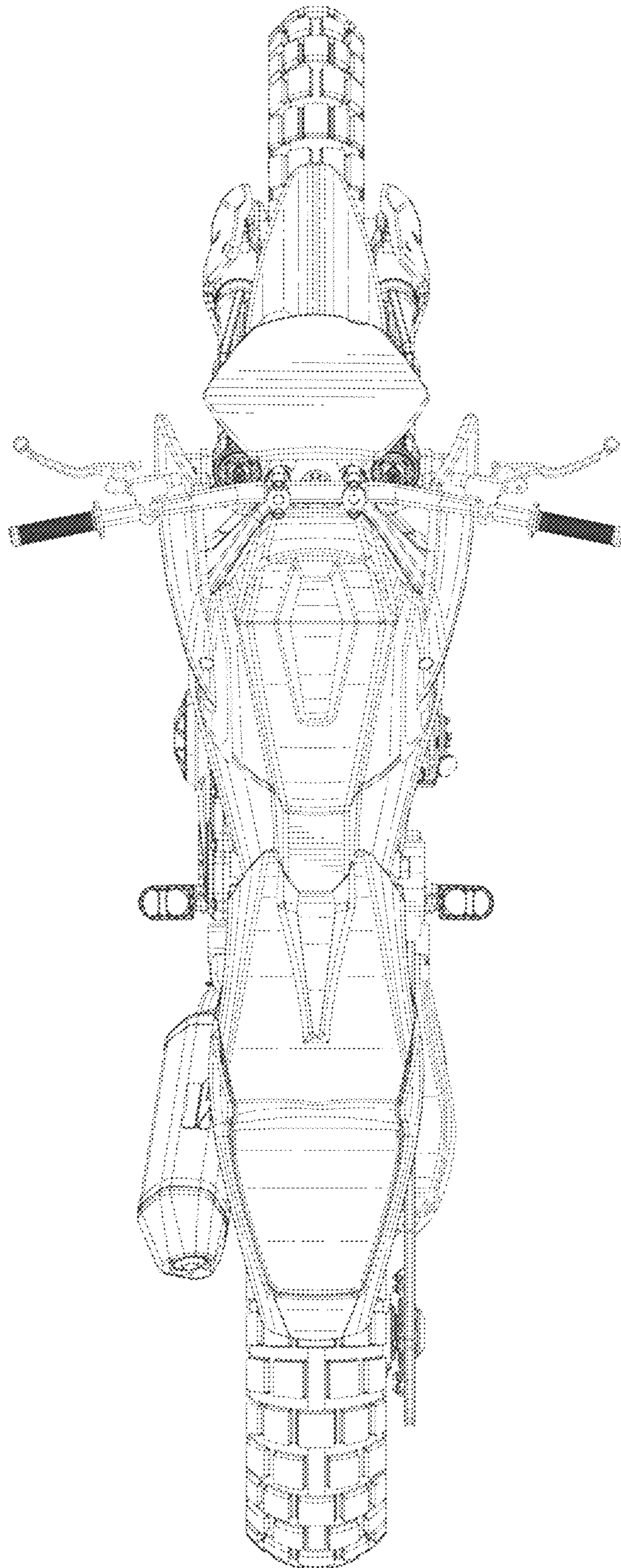


FIG. 5