



US00D815986S

(12) **United States Design Patent**
Zhang et al.

(10) **Patent No.:** **US D815,986 S**
(45) **Date of Patent:** **** Apr. 24, 2018**

(54) **SPORT UTILITY VEHICLE**

(56) **References Cited**

(71) Applicant: **BEIJING S-TECH TECHNOLOGY CO., LTD.**, Beijing (CN)

U.S. PATENT DOCUMENTS

(72) Inventors: **Zhen Zhang**, Beijing (CN); **Wenrui Li**, Beijing (CN)

D393,609 S *	4/1998	Kanthak	D12/91
D422,941 S *	4/2000	Sigurosson	D12/91
D548,646 S *	8/2007	Green, Jr.	D12/12
D548,647 S *	8/2007	Green, Jr.	D12/12
D579,824 S *	11/2008	Pandey	D12/12
D580,825 S *	11/2008	Green, Jr.	D12/12

(73) Assignee: **Beijing S-Tech Technology Co. LTD**, Beijing (CN)

* cited by examiner

(**) Term: **15 Years**

Primary Examiner — Melody N Brown

(21) Appl. No.: **29/562,310**

(74) *Attorney, Agent, or Firm* — Inventa Capital PLC

(22) Filed: **Apr. 25, 2016**

(57) **CLAIM**

The ornamental design for a sport utility vehicle, as shown and described.

(30) **Foreign Application Priority Data**

DESCRIPTION

Jan. 29, 2016 (CN) 2016 3 00341881

(51) **LOC (11) Cl.** **12-08**

(52) **U.S. Cl.**
USPC **D12/91**

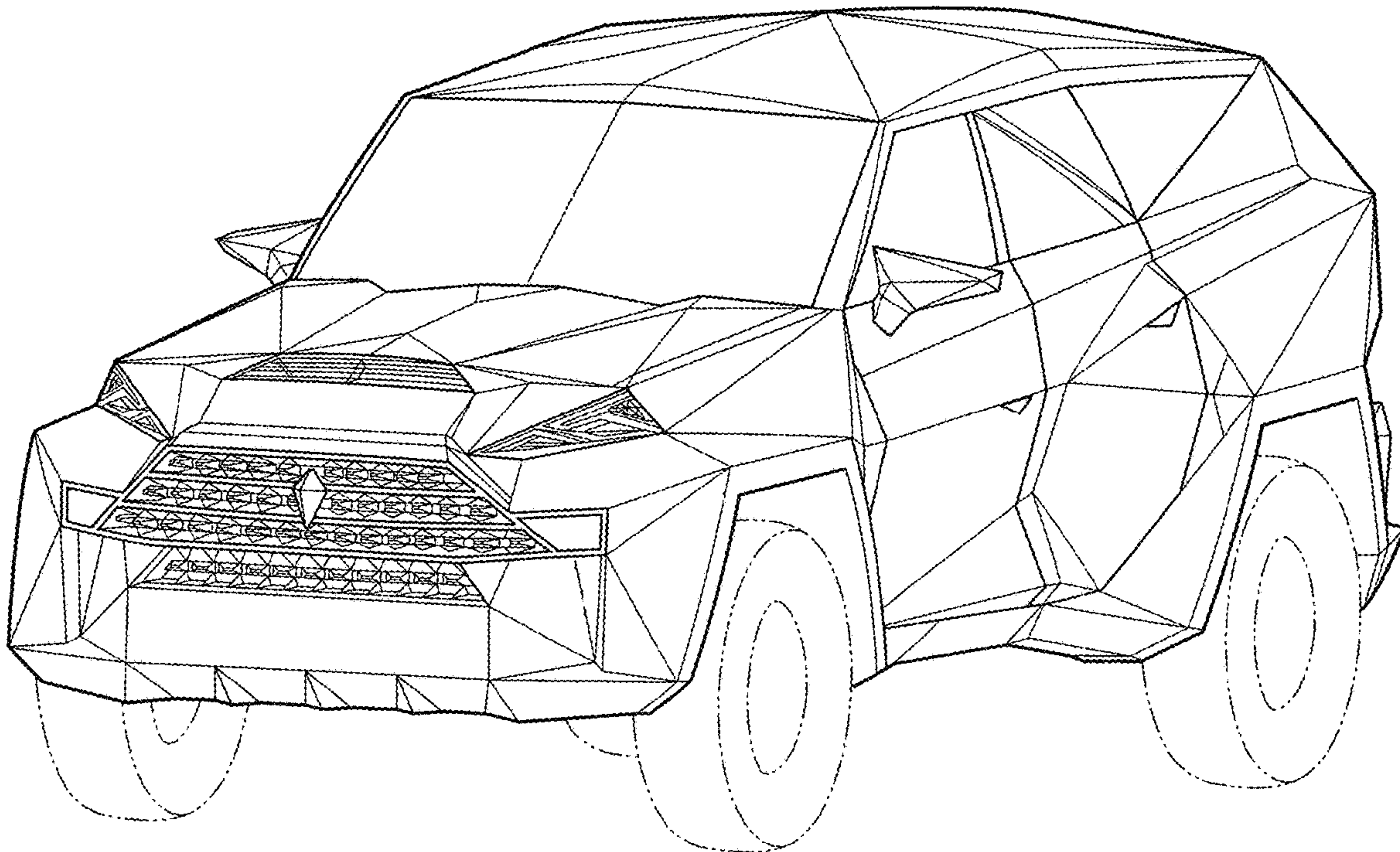
(58) **Field of Classification Search**
USPC D12/86, 90–92, 12, 87; D21/421, 433,
D21/434; 296/181.1, 181.5
CPC B62D 35/00; B62D 25/00; B62D 25/06;
B62D 33/00

FIG. 1 is a front perspective view of a sport utility vehicle showing our new design;
FIG. 2 is a rear perspective view thereof;
FIG. 3 is a front elevational view thereof;
FIG. 4 is a rear elevational view thereof;
FIG. 5 is a left elevational view thereof;
FIG. 6 is a right elevational view thereof; and,
FIG. 7 is a top plan view thereof.

The broken lines throughout drawing views are for illustrative purposes only and form no part of the claimed design.

See application file for complete search history.

1 Claim, 6 Drawing Sheets



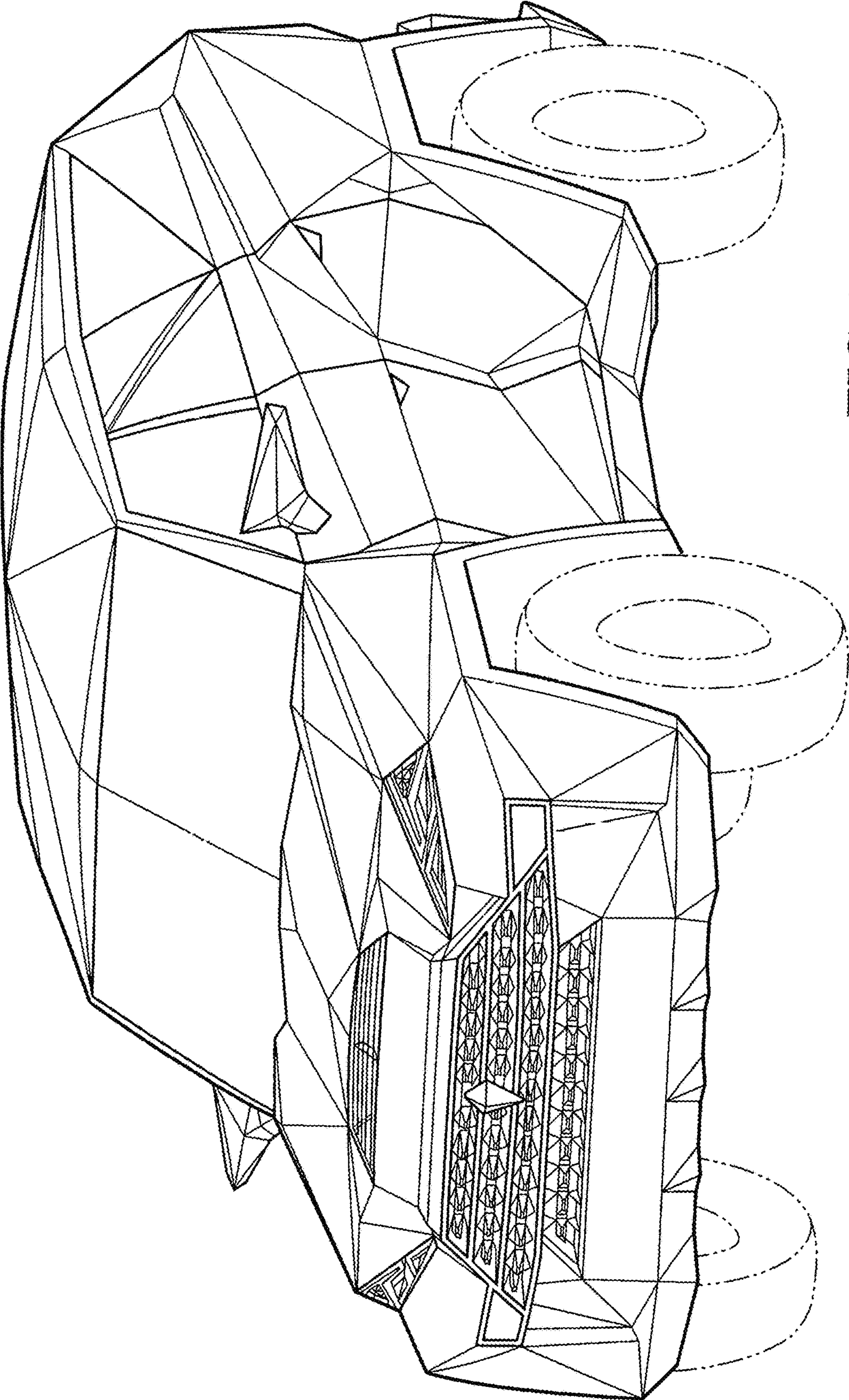


FIG. 1

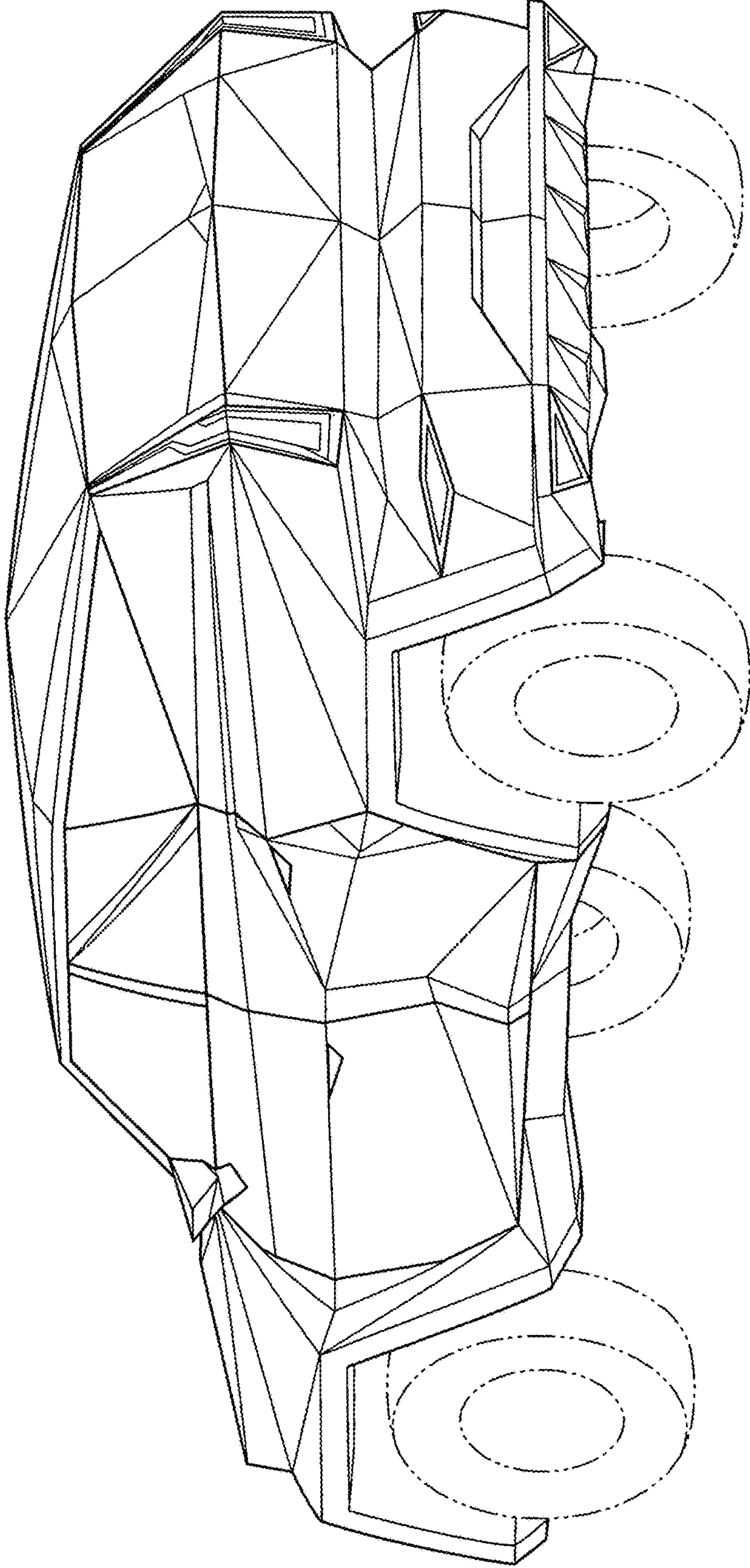


FIG. 2

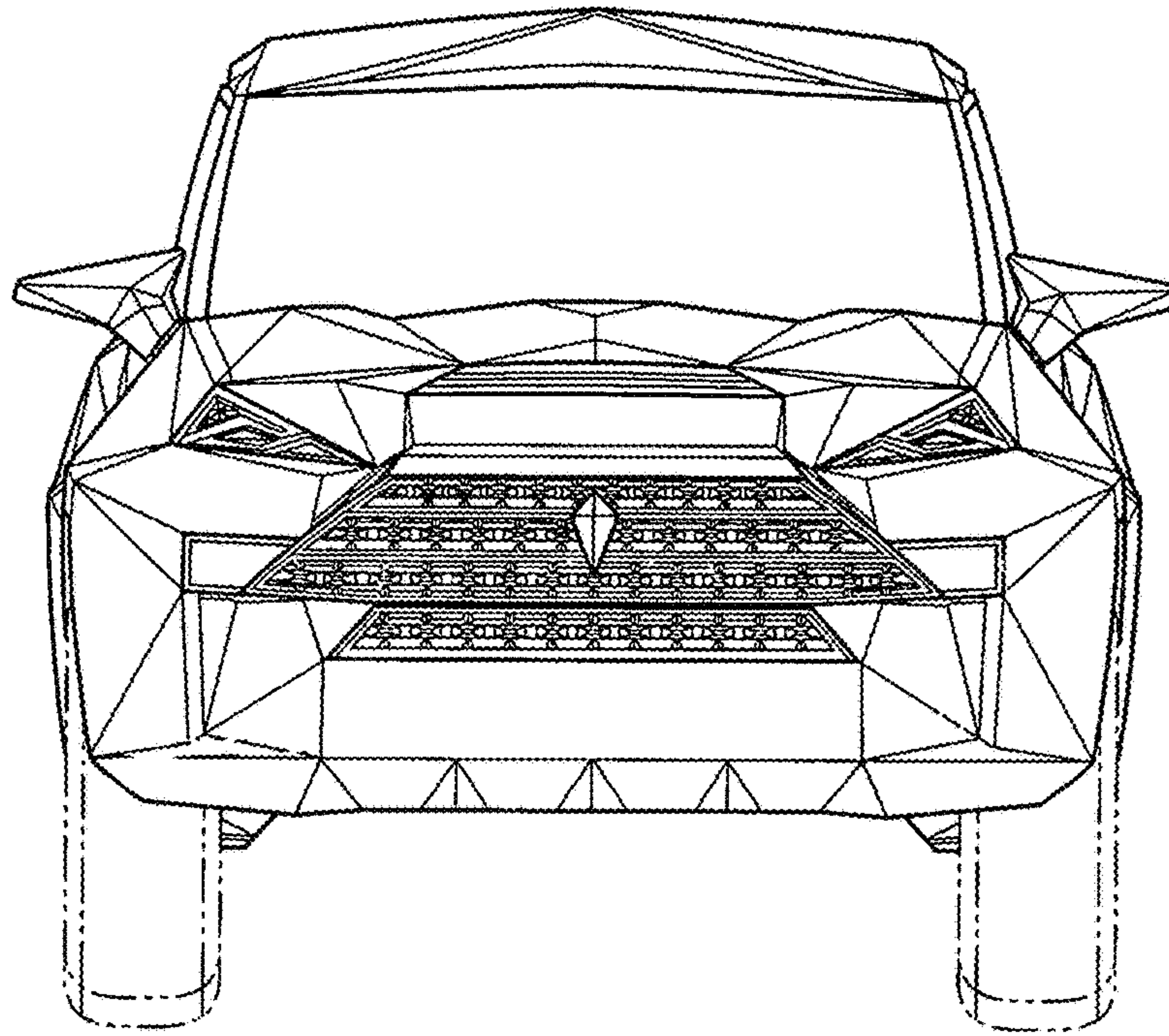


FIG. 3

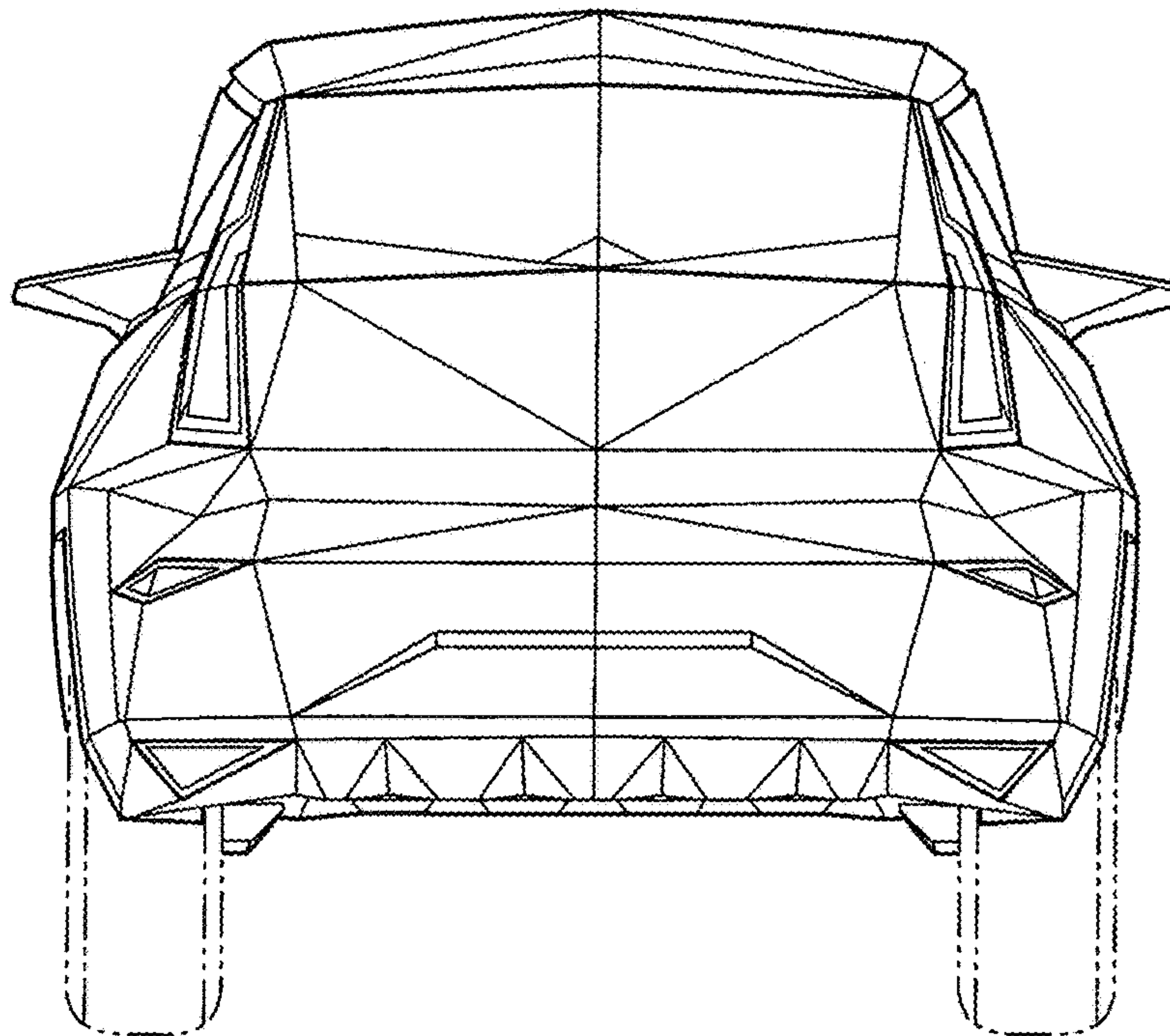


FIG. 4

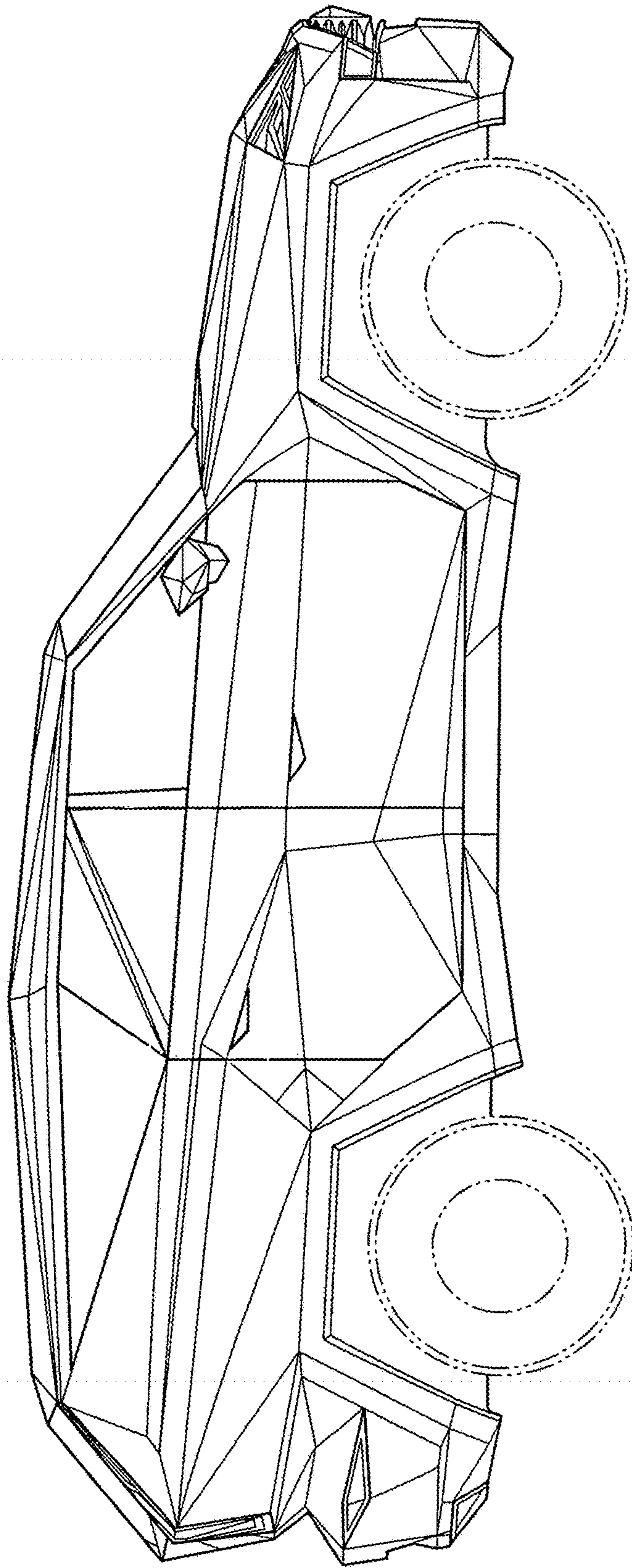


FIG. 5

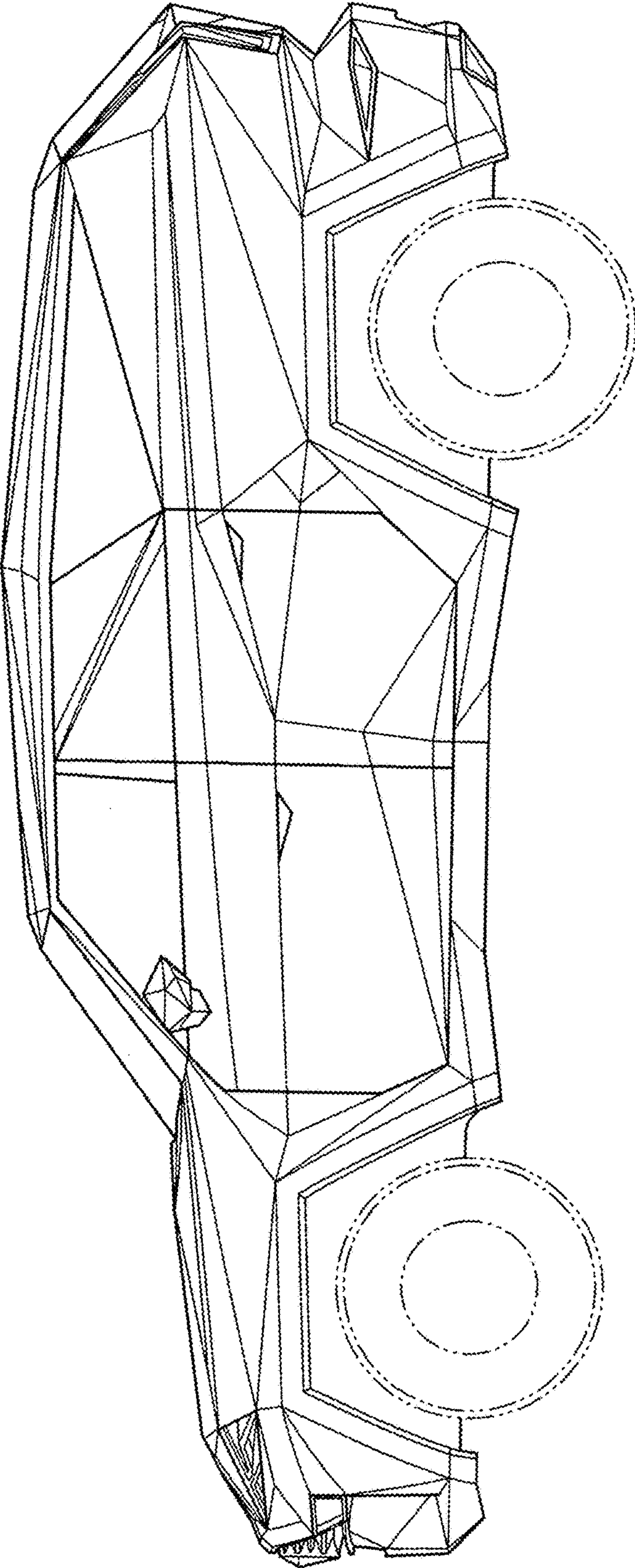


FIG. 6

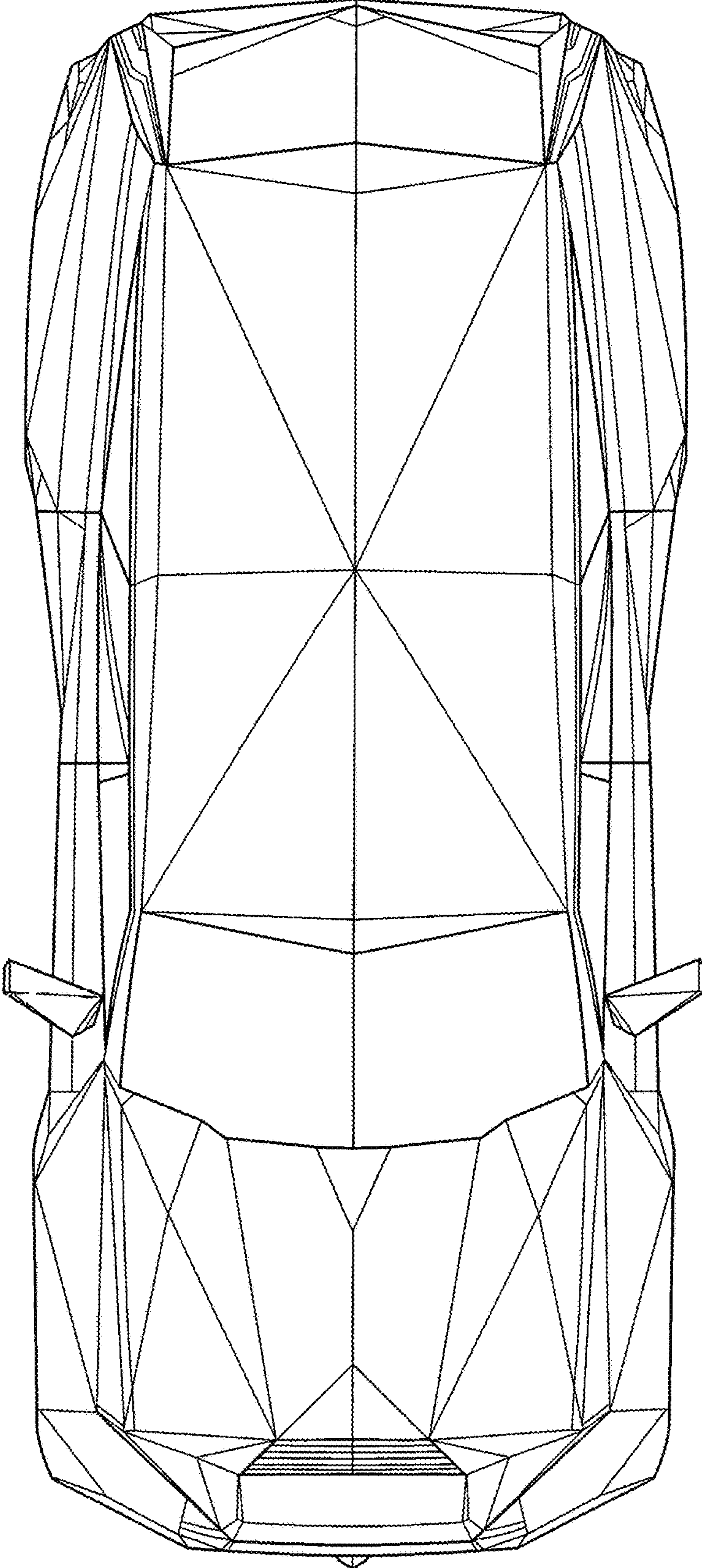


FIG. 7