



US00D815985S

(12) **United States Design Patent**
Mueller

(10) **Patent No.:** **US D815,985 S**

(45) **Date of Patent:** **** Apr. 24, 2018**

(54) **MOTOR CAR**

(71) Applicant: **GM GLOBAL TECHNOLOGY OPERATIONS LLC**, Detroit, MI (US)

(72) Inventor: **Uwe Mueller**, Wiesbaden (DE)

(73) Assignee: **GM Global Technology Operations LLC**, Detroit, MI (US)

(**) Term: **15 Years**

(21) Appl. No.: **29/588,312**

(22) Filed: **Dec. 20, 2016**

(30) **Foreign Application Priority Data**

Jun. 21, 2016 (EM) 003 230 929

(51) **LOC (11) Cl.** **12-08**

(52) **U.S. Cl.**
USPC **D12/90**

(58) **Field of Classification Search**
USPC D12/90-92, 164, 169, 196;
296/181.1-181.5; D21/548, 560
CPC B60Y 2306/01; B60K 11/085
See application file for complete search history.

(56) **References Cited**

U.S. PATENT DOCUMENTS

D570,742 S	6/2008	Takagi et al.	
D574,298 S *	8/2008	Opfer	D12/91
D576,524 S *	9/2008	Zavatski	D12/91
D578,437 S *	10/2008	Nishihata	D12/91
D592,105 S	5/2009	Dean et al.	
D597,447 S	8/2009	Folden	
D600,595 S	9/2009	Nakamura et al.	
D601,925 S	10/2009	O'Donnell	
D603,755 S	11/2009	Peters	
D604,203 S	11/2009	O'Donnell	
D605,082 S	12/2009	Munson	

D605,083 S	12/2009	Manoogian, II et al.	
D605,977 S	12/2009	Zipfel et al.	
D605,978 S	12/2009	Wolff et al.	
D608,249 S	1/2010	Peters	
D608,690 S	1/2010	Folden et al.	
D608,691 S	1/2010	Zak, Jr. et al.	
D609,608 S	2/2010	Boniface et al.	
D611,387 S	3/2010	Thompson et al.	
D611,879 S	3/2010	Kim et al.	
D612,297 S	3/2010	Peters et al.	
D613,645 S	4/2010	Song et al.	
D615,458 S	5/2010	Thompson et al.	
D618,595 S	6/2010	Ware et al.	
D623,090 S	9/2010	Cox et al.	
D627,262 S	11/2010	Ikeda et al.	
D630,553 S *	1/2011	Muller	D12/91
D635,488 S	4/2011	Phipps	
D639,710 S *	6/2011	Kim	D12/91
D641,664 S *	7/2011	Aengenheyster	D12/91
D644,147 S	8/2011	Suh et al.	

(Continued)

Primary Examiner — John Windmuller

Assistant Examiner — Melvin L Davis

(74) *Attorney, Agent, or Firm* — Reising Ethington P.C.

(57) **CLAIM**

The ornamental design for a motor car, as shown and described.

DESCRIPTION

FIG. 1 is a front and left side perspective view of the motor car;

FIG. 2 is a rear and right side perspective view thereof;

FIG. 3 is a right side elevation view thereof;

FIG. 4 is a left side elevation view thereof;

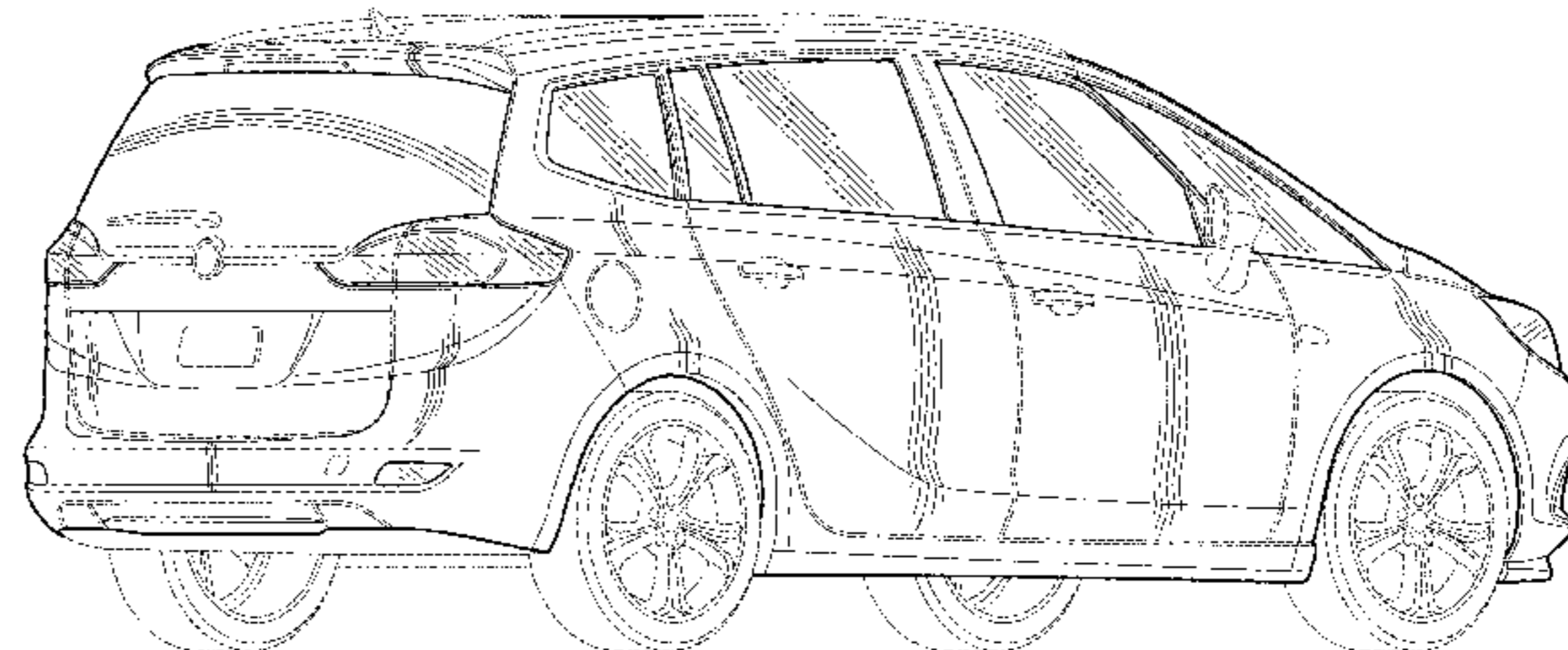
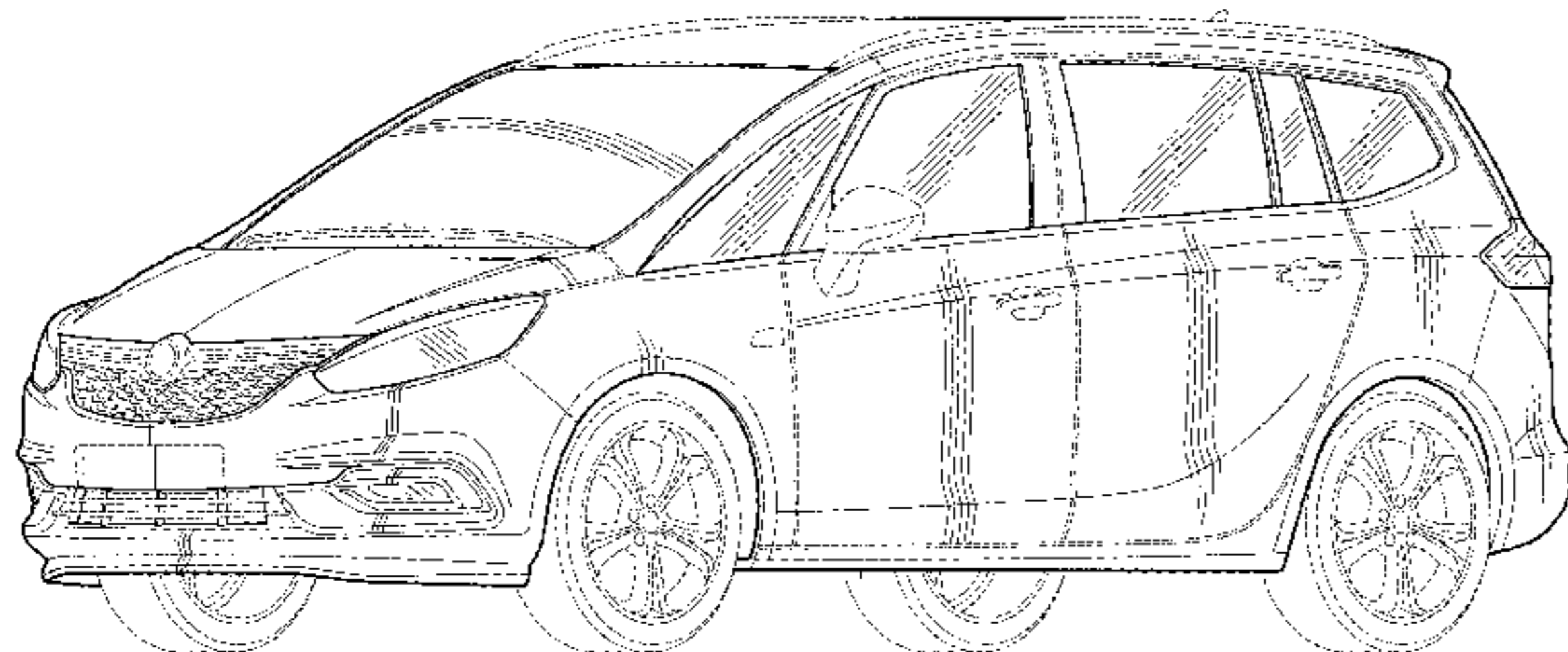
FIG. 5 is a front elevation view thereof;

FIG. 6 is a rear elevation view thereof; and,

FIG. 7 is a top plan view thereof.

The broken lines shown in the drawings depict portions of the motor car that form no part of the claimed design.

1 Claim, 6 Drawing Sheets



(56)

References Cited

U.S. PATENT DOCUMENTS

D644,567 S	9/2011	Kozub		D743,857 S	11/2015	McMahan et al.	
D655,648 S *	3/2012	Imaiida	D12/91	D744,158 S	11/2015	Willett et al.	
D657,715 S *	4/2012	Hakamata	D12/91	D745,086 S	12/2015	Finos et al.	
D657,718 S	4/2012	Zipfel et al.		D745,719 S	12/2015	Boniface et al.	
D659,052 S	5/2012	Ware et al.		D745,725 S	12/2015	McMahan et al.	
D659,053 S	5/2012	Ware et al.		D745,726 S	12/2015	McMahan et al.	
D668,182 S	10/2012	Barba Franco et al.		D745,837 S	12/2015	Smith et al.	
D668,183 S	10/2012	Smart		D746,726 S	1/2016	Smith et al.	
D678,820 S	3/2013	Son et al.		D746,727 S	1/2016	Smith et al.	
D678,821 S	3/2013	Ikeda et al.		D746,728 S	1/2016	Smith et al.	
D680,909 S	4/2013	Munson et al.		D746,729 S	1/2016	Boniface et al.	
D680,910 S	4/2013	David		D746,730 S	1/2016	Kim et al.	
D684,899 S	6/2013	Baker		D747,514 S	1/2016	McMahan et al.	
D686,536 S	7/2013	McCabe et al.		D747,515 S	1/2016	McMahan et al.	
D692,798 S	11/2013	Thurber		D747,819 S	1/2016	Thole et al.	
D692,799 S	11/2013	Smith et al.		D749,021 S	2/2016	Boniface et al.	
D696,157 S	12/2013	Loeb		D749,026 S	2/2016	Smith et al.	
D699,629 S	2/2014	Ikeda et al.		D749,027 S	2/2016	McMahan et al.	
D700,871 S	3/2014	O'Donnell et al.		D749,246 S	2/2016	Thole et al.	
D703,103 S	4/2014	Lee		D749,249 S	2/2016	Thole et al.	
D704,103 S	5/2014	Mack et al.		D749,250 S	2/2016	Thole et al.	
D705,132 S	5/2014	Ware et al.		D749,985 S	2/2016	Kozub et al.	
D705,699 S	5/2014	Ware et al.		D749,997 S	2/2016	McMahan et al.	
D713,298 S	9/2014	Dyson		D750,001 S	2/2016	Thole et al.	
D713,764 S	9/2014	Ferlazzo et al.		D753,032 S	4/2016	Smith et al.	
D716,696 S	11/2014	Thole et al.		D753,033 S	4/2016	Thole et al.	
D716,706 S	11/2014	Thole et al.		D753,034 S	4/2016	Thole et al.	
D716,709 S	11/2014	Thole et al.		D753,035 S	4/2016	Boniface et al.	
D717,696 S	11/2014	Thole et al.		D753,559 S	4/2016	McMahan et al.	
D718,189 S	11/2014	Krieg et al.		D753,560 S	4/2016	McMahan et al.	
D718,683 S	12/2014	Thole et al.		D753,567 S	4/2016	Boniface et al.	
D719,486 S *	12/2014	Murakami	D12/91	D754,571 S	4/2016	Boniface et al.	
D722,282 S	2/2015	Loeb		D754,572 S	4/2016	McMahan et al.	
D722,533 S	2/2015	Thole et al.		D755,088 S	5/2016	McMahan et al.	
D722,534 S	2/2015	Munson et al.		D756,869 S	5/2016	McMahan et al.	
D724,510 S	3/2015	McMahan et al.		D758,271 S	6/2016	McMahan et al.	
D725,001 S	3/2015	McMahan et al.		D764,975 S	8/2016	Aengenheyster	
D726,591 S	4/2015	Jacob		D764,976 S	8/2016	Aengenheyster	
D727,795 S *	4/2015	Wagner	D12/91	D767,449 S	9/2016	Pevovar et al.	
D730,776 S	6/2015	Smart		D767,450 S	9/2016	Lee et al.	
D730,783 S	6/2015	Henriques et al.		D767,451 S	9/2016	Kozub et al.	
D732,427 S	6/2015	Loeb		D767,454 S	9/2016	McMahan et al.	
D732,429 S	6/2015	Loeb		D767,458 S	9/2016	Kim	
D732,430 S	6/2015	Loeb		D767,459 S	9/2016	Kim	
D732,431 S	6/2015	Loeb		D767,460 S	9/2016	Kozub et al.	
D732,432 S	6/2015	Aengenheyster		D767,461 S	9/2016	Kozub et al.	
D732,433 S	6/2015	Aengenheyster		D771,528 S	11/2016	Smith et al.	
D732,435 S	6/2015	Mackay		D771,529 S	11/2016	Thole et al.	
D733,002 S	6/2015	Loeb		D771,532 S	11/2016	Kapitonov	
D735,611 S	8/2015	Aengenheyster		D771,533 S	11/2016	Kapitonov	
D735,627 S	8/2015	Smith		D772,766 S	11/2016	Kozub et al.	
D736,451 S	8/2015	Smith		D772,767 S	11/2016	Kim	
D739,306 S	9/2015	McMahan et al.		D773,084 S	11/2016	Kapitonov	
D739,317 S	9/2015	McMahan et al.		D773,086 S	11/2016	McCabe et al.	
D741,223 S	10/2015	Kim et al.		D773,340 S *	12/2016	Lian	D12/91
D743,309 S	11/2015	Thole et al.		D774,226 S	12/2016	McCabe et al.	
D743,313 S	11/2015	Smith et al.		D788,644 S *	6/2017	Mueller	D12/91
D743,314 S	11/2015	Thole et al.		D788,645 S *	6/2017	Mueller	D12/91
				D790,400 S *	6/2017	Zavatski	D12/91

* cited by examiner

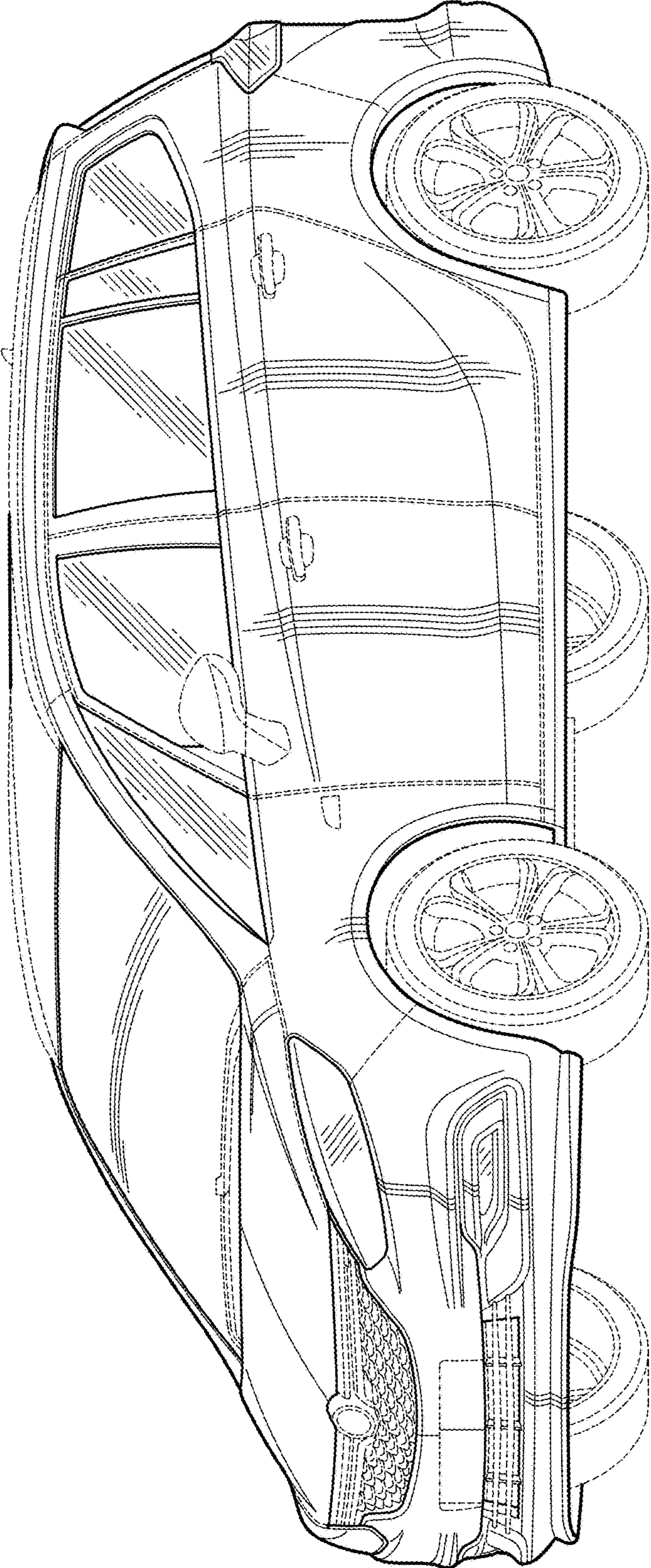


FIG. 1

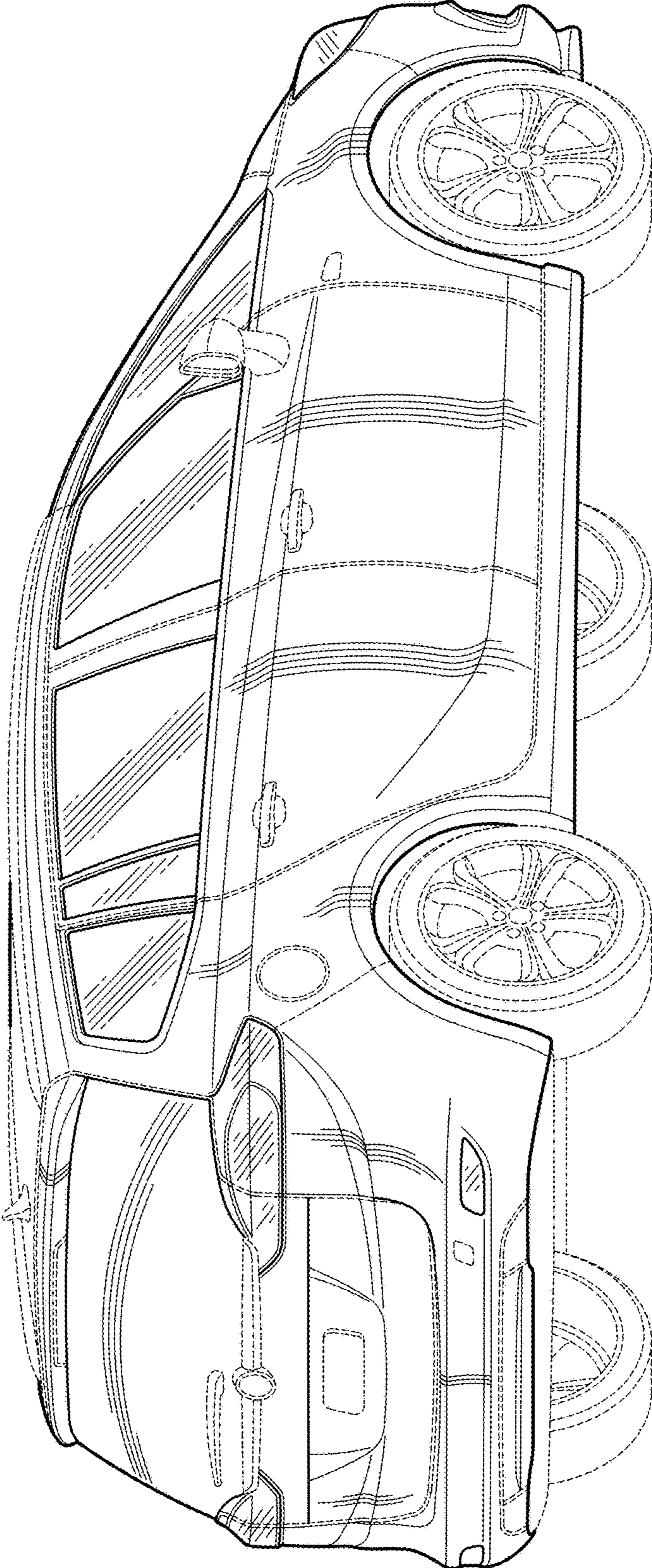


FIG. 2

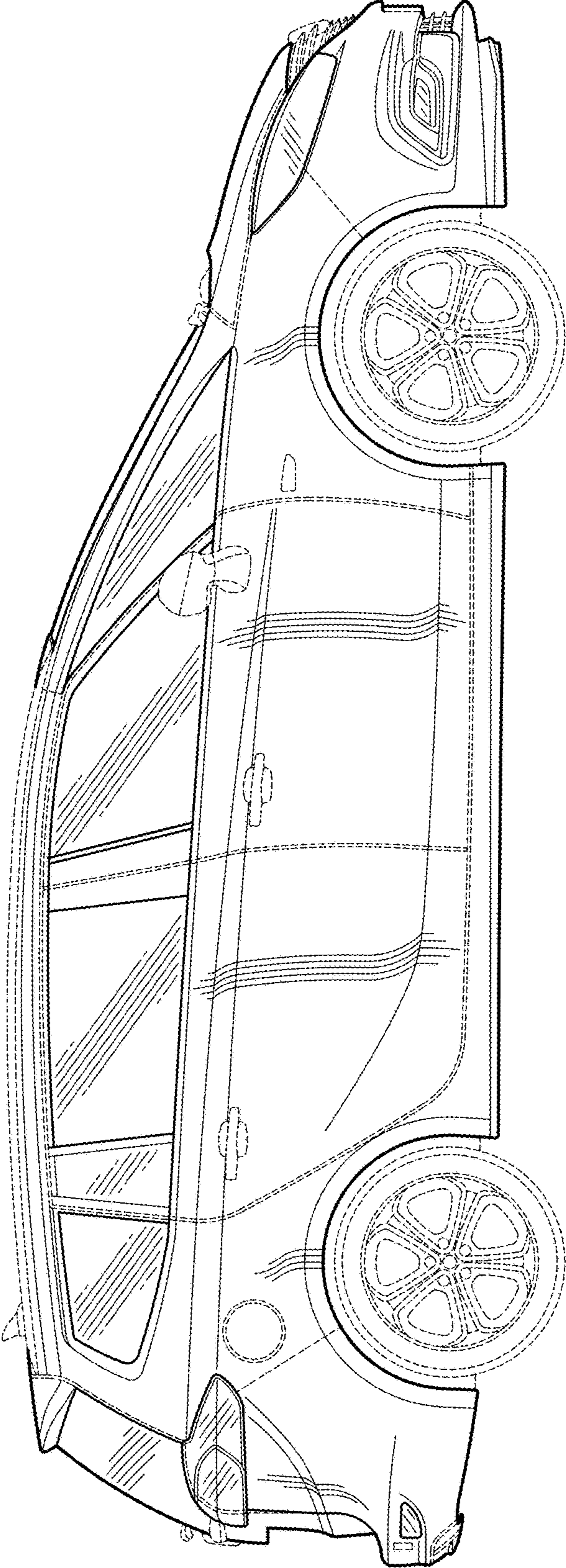


FIG. 3

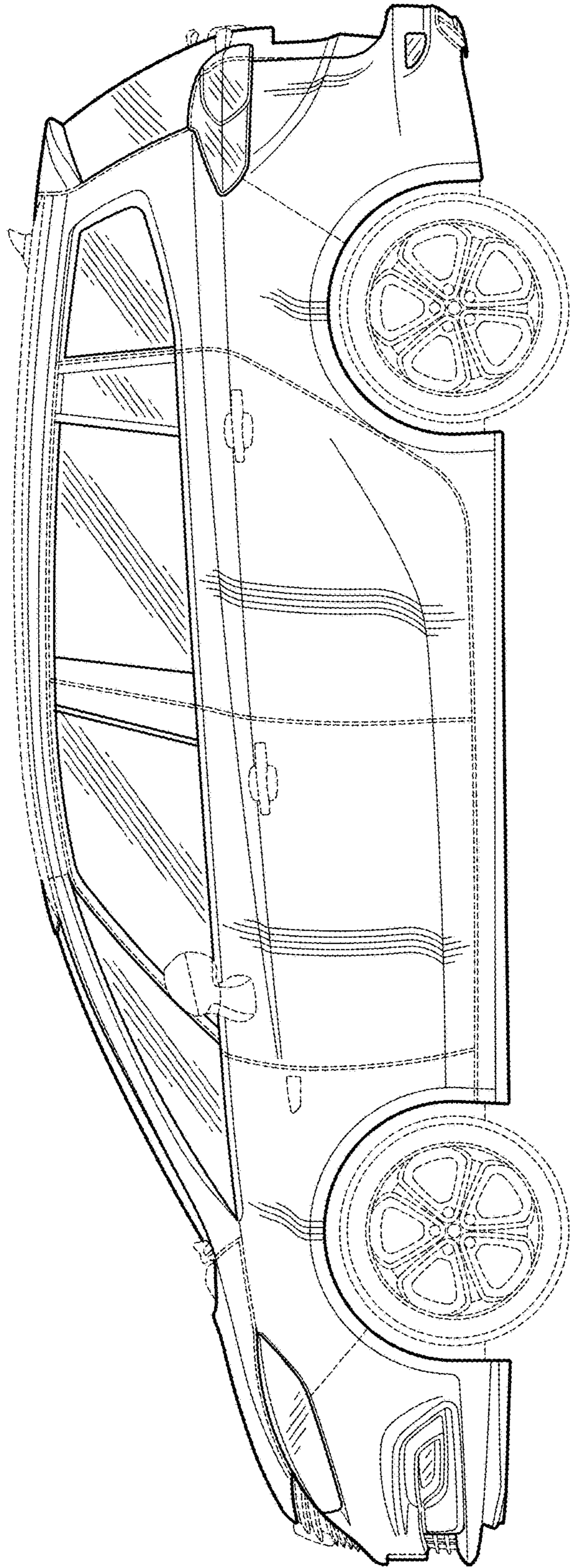


FIG. 4

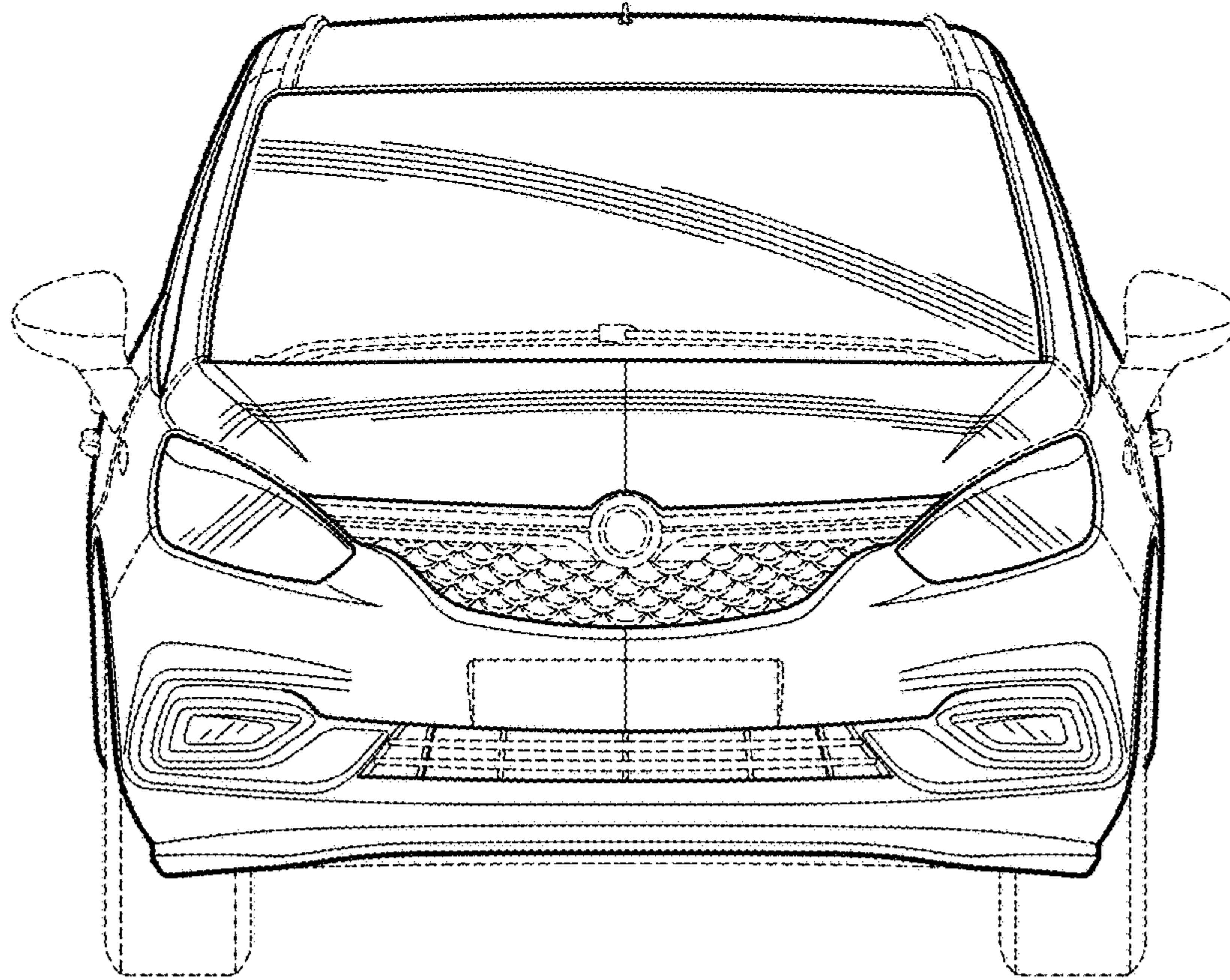


FIG. 5

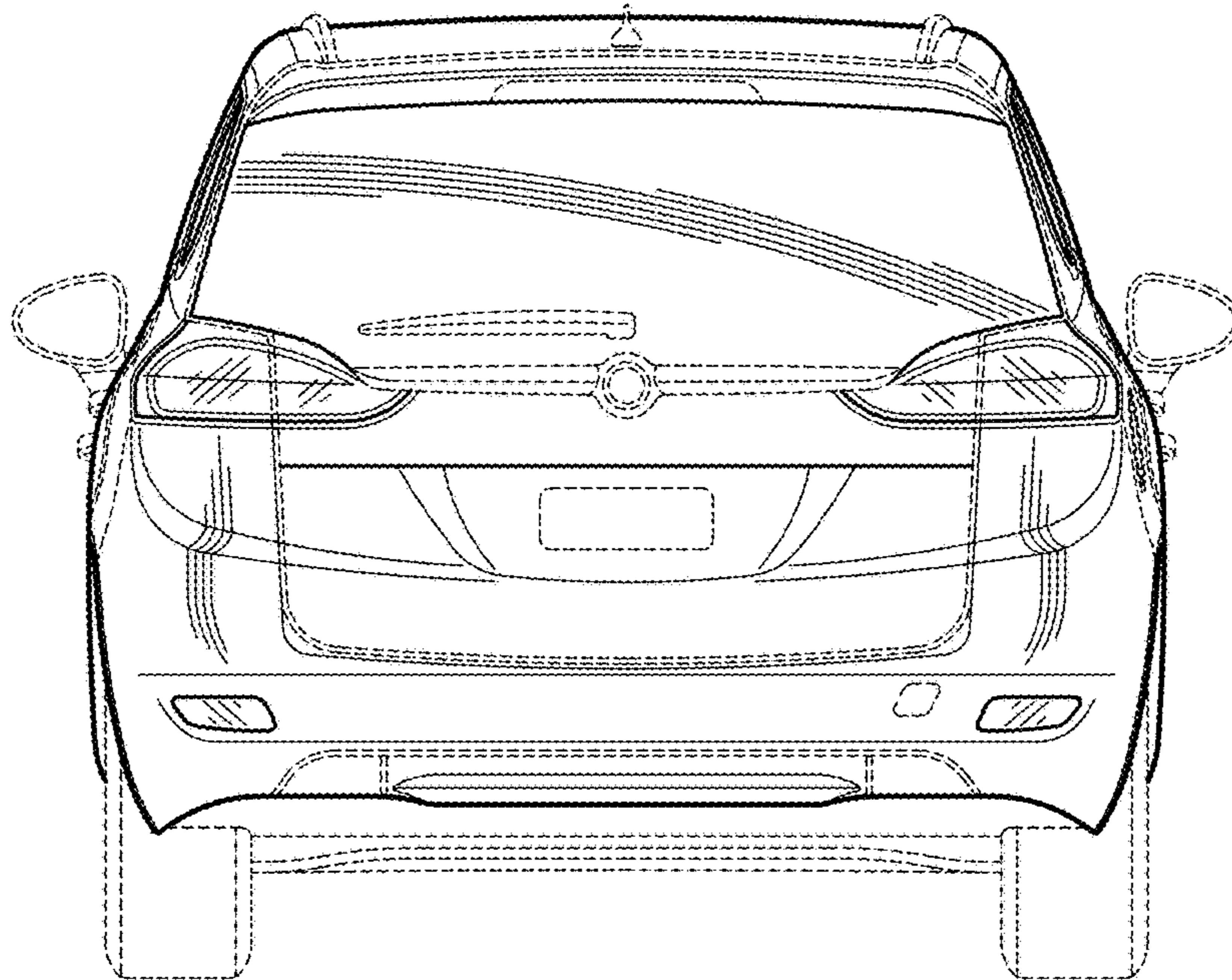


FIG. 6

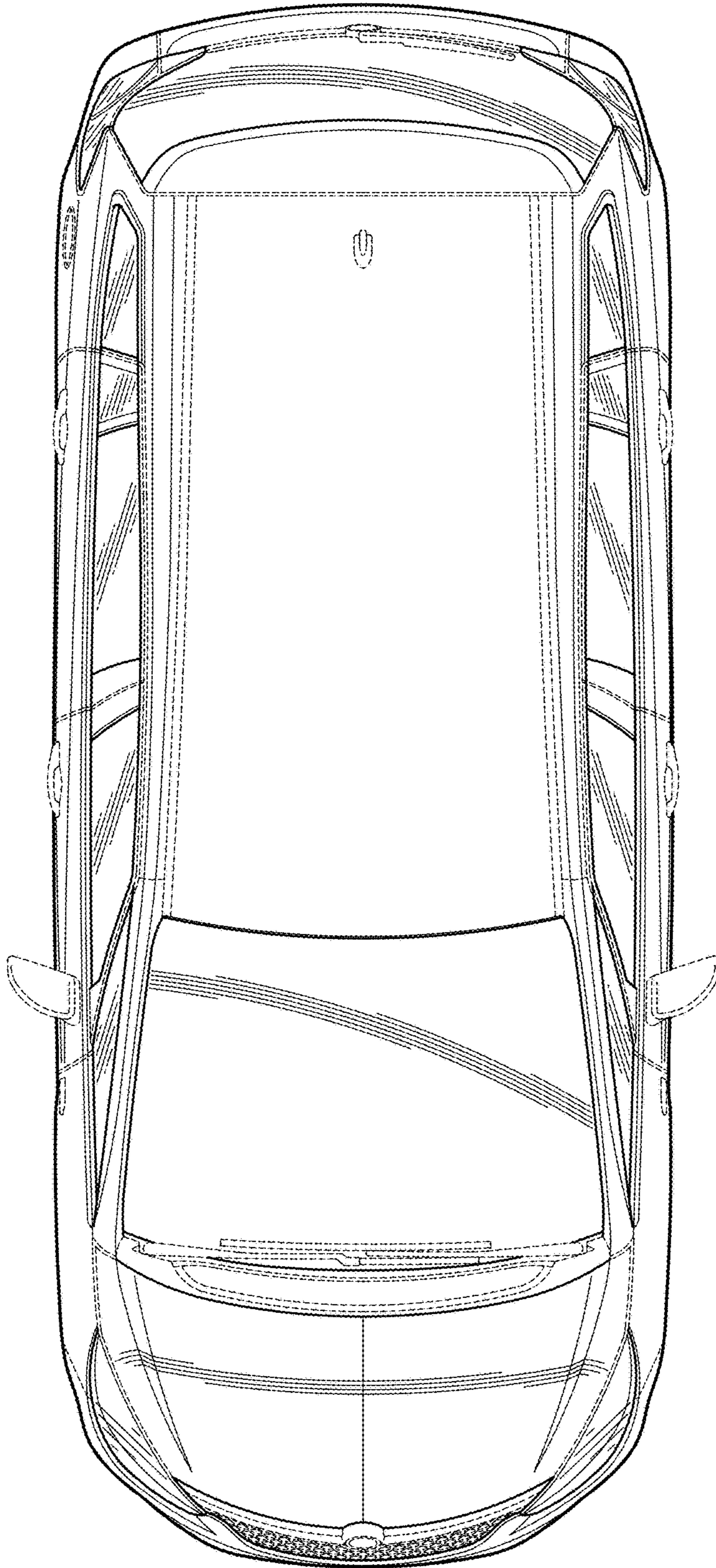


FIG. 7