



US00D815983S

(12) **United States Design Patent** (10) **Patent No.:** **US D815,983 S**
Di Girolami et al. (45) **Date of Patent:** **** Apr. 24, 2018**

(54) **SLIDER FOR SLIDE FASTENER**
(71) Applicant: **YKK Corporation**, Tokyo (JP)
(72) Inventors: **Massimiliano Di Girolami**, Cheshire (GB); **Yoshikazu Hamada**, Toyama (JP)
(73) Assignee: **YKK Corporation** (JP)
(**) Term: **15 Years**
(21) Appl. No.: **29/587,972**
(22) Filed: **Dec. 16, 2016**

D631,790 S * 2/2011 Keyaki D11/221
D643,336 S * 8/2011 Di Girolami D11/221
D655,645 S * 3/2012 Gut D11/221
D672,685 S * 12/2012 Sato D11/221
D705,124 S * 5/2014 Wang D11/221
D706,676 S * 6/2014 Ohgaku D11/221
D721,617 S * 1/2015 Ozawa D11/221
D794,504 S * 8/2017 Takazawa D11/221
D796,993 S * 9/2017 Takazawa D11/221
D796,994 S * 9/2017 Takazawa D11/221
D796,995 S * 9/2017 Takazawa D11/221
D803,095 S * 11/2017 Di Girolami D11/221
D803,096 S * 11/2017 Di Girolami D11/221
2015/0189954 A1 * 7/2015 Yoneoka A44B 19/26
24/428

* cited by examiner

(30) **Foreign Application Priority Data**

Jun. 17, 2016 (EM) 003227644-0002

(51) **LOC (11) Cl.** **02-07**
(52) **U.S. Cl.**
USPC **D11/221**

(58) **Field of Classification Search**
USPC D11/200, 201, 221; 24/381-383,
24/385-387, 414-417, 421-422, 427-431,
24/433; 2/265; D2/641, 642; 294/3.6;
223/118; D8/33, 34, 40
CPC A44B 19/00; A44B 19/02; A44B 19/04;
A44B 19/10; A44B 19/26; A44B 19/30;
A44B 19/06; G02C 3/003
See application file for complete search history.

(56) **References Cited**

U.S. PATENT DOCUMENTS

D484,829 S * 1/2004 Yamamoto D11/221
D558,091 S * 12/2007 Cossutti D11/221

Primary Examiner — Ralf Seifert

(74) *Attorney, Agent, or Firm* — Kilpatrick Townsend & Stockton LLP

(57) **CLAIM**

The ornamental design for a slider for slide fastener, as shown and described.

DESCRIPTION

FIG. 1 is a perspective view of the front, bottom and right side of a slider for slide fastener, showing our new design; FIG. 2 is a front view thereof; FIG. 3 is a rear view thereof; FIG. 4 is a right side view thereof, the left side view being a mirror image thereof; FIG. 5 is a top plan view thereof; and, FIG. 6 is a bottom view thereof.

1 Claim, 6 Drawing Sheets

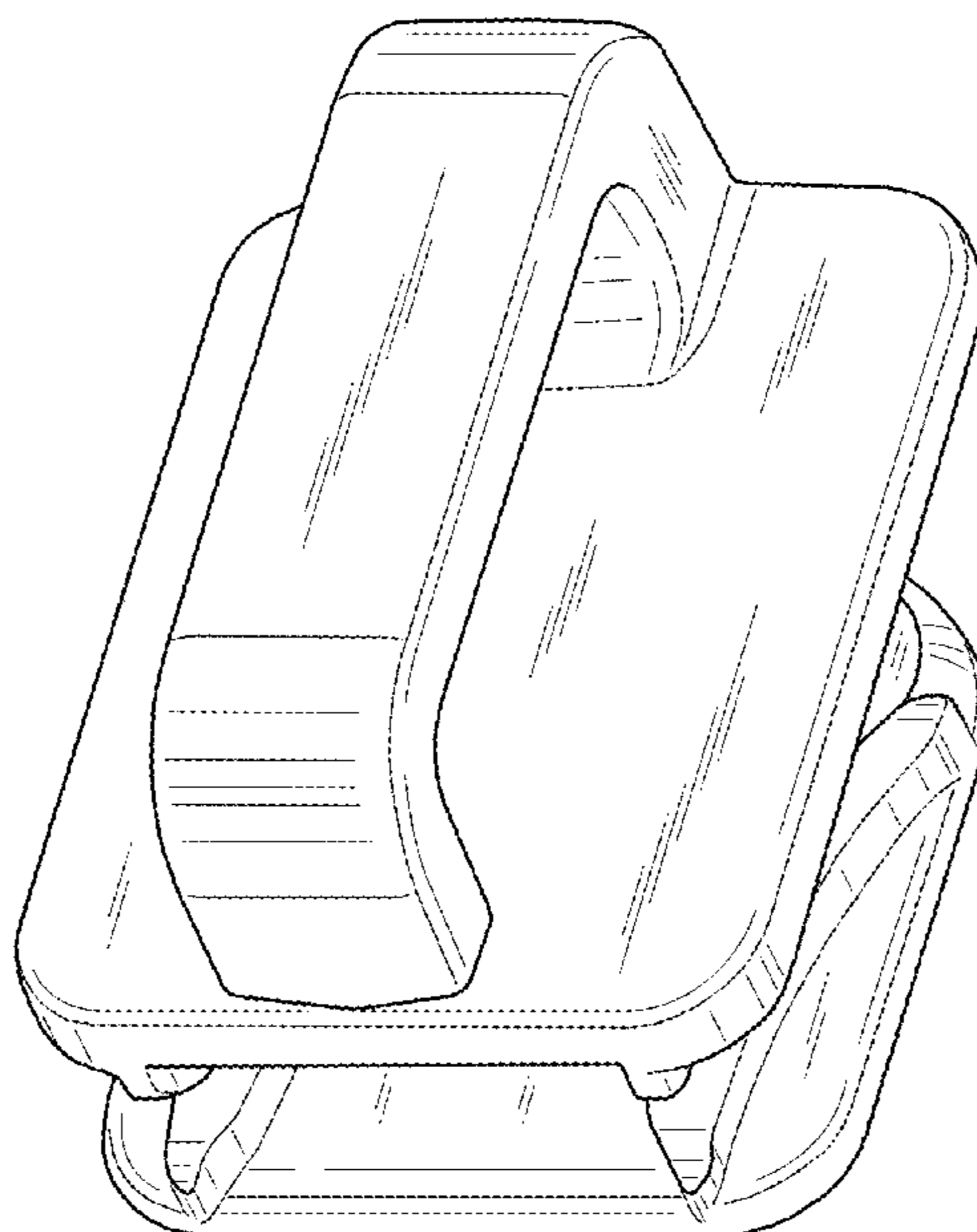


Fig. 1

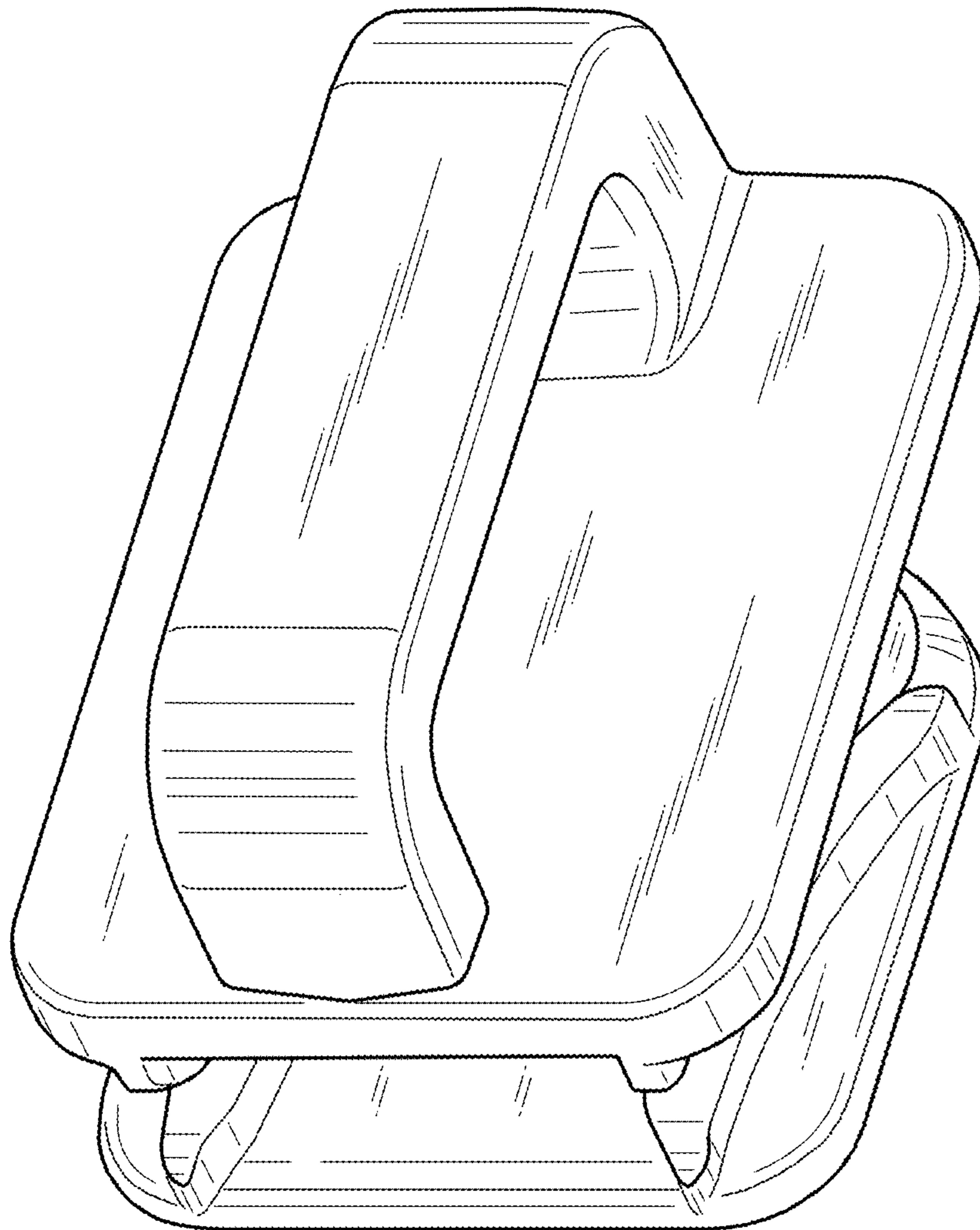


Fig. 2

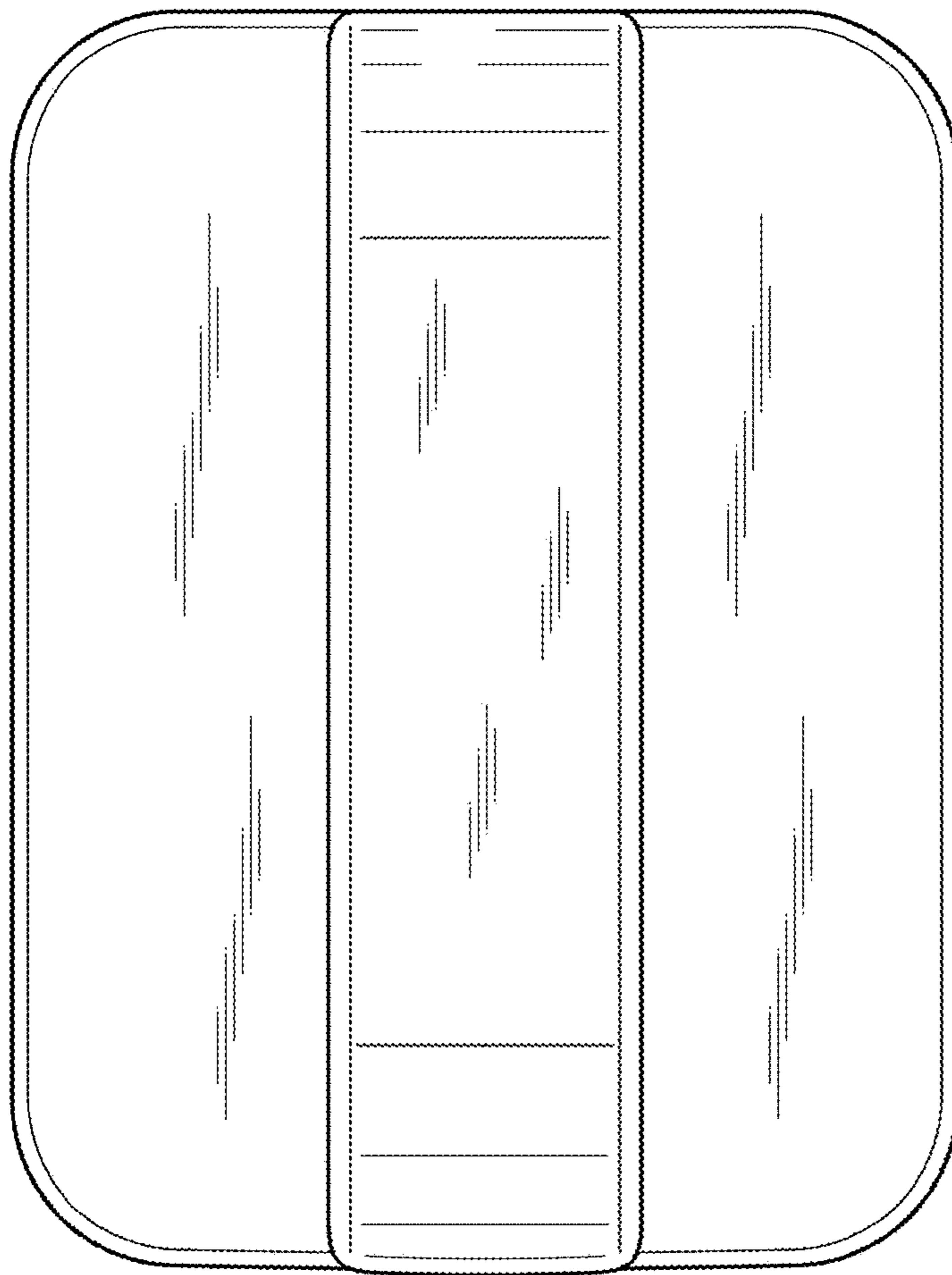


Fig. 3

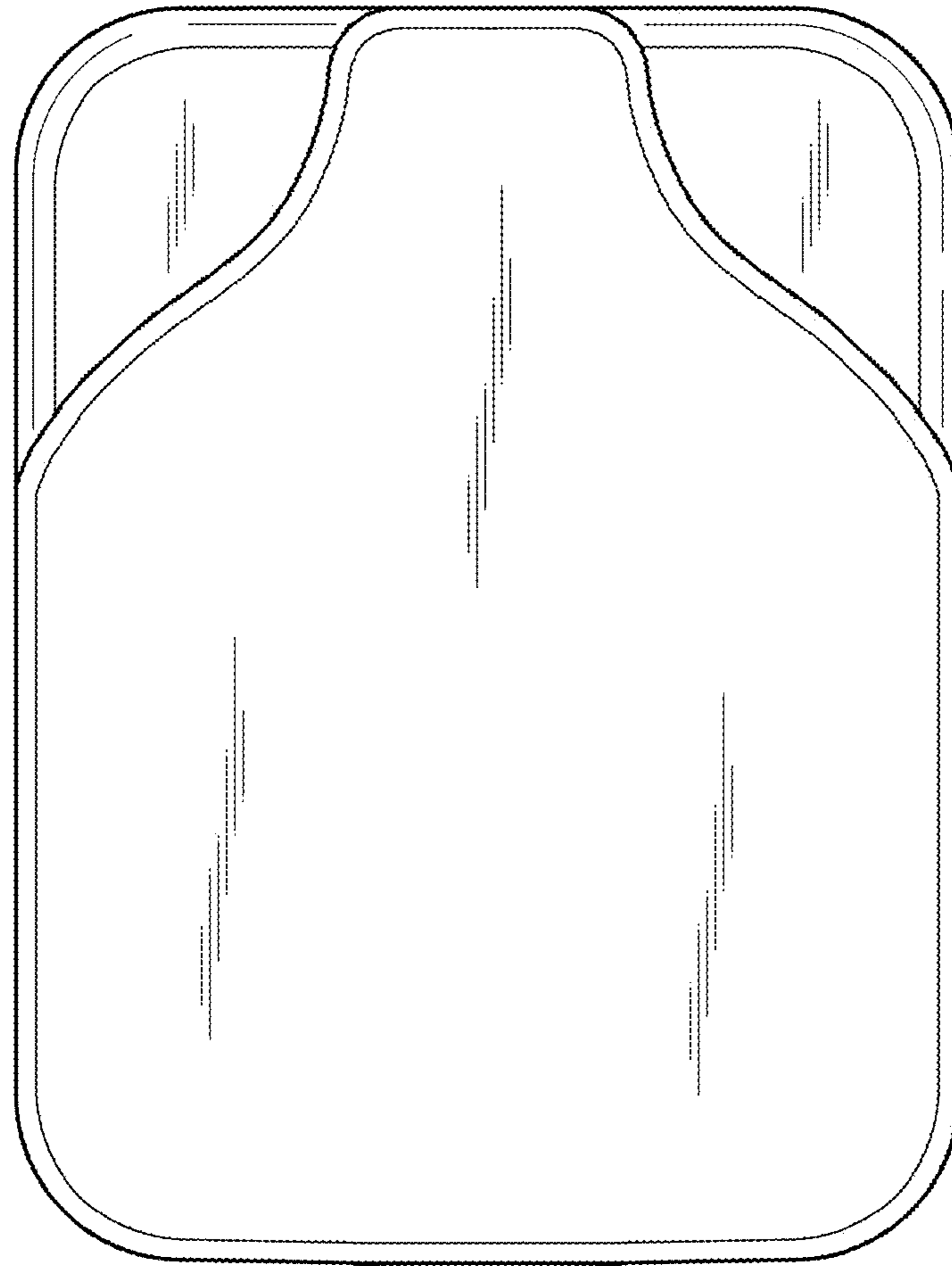


Fig. 4

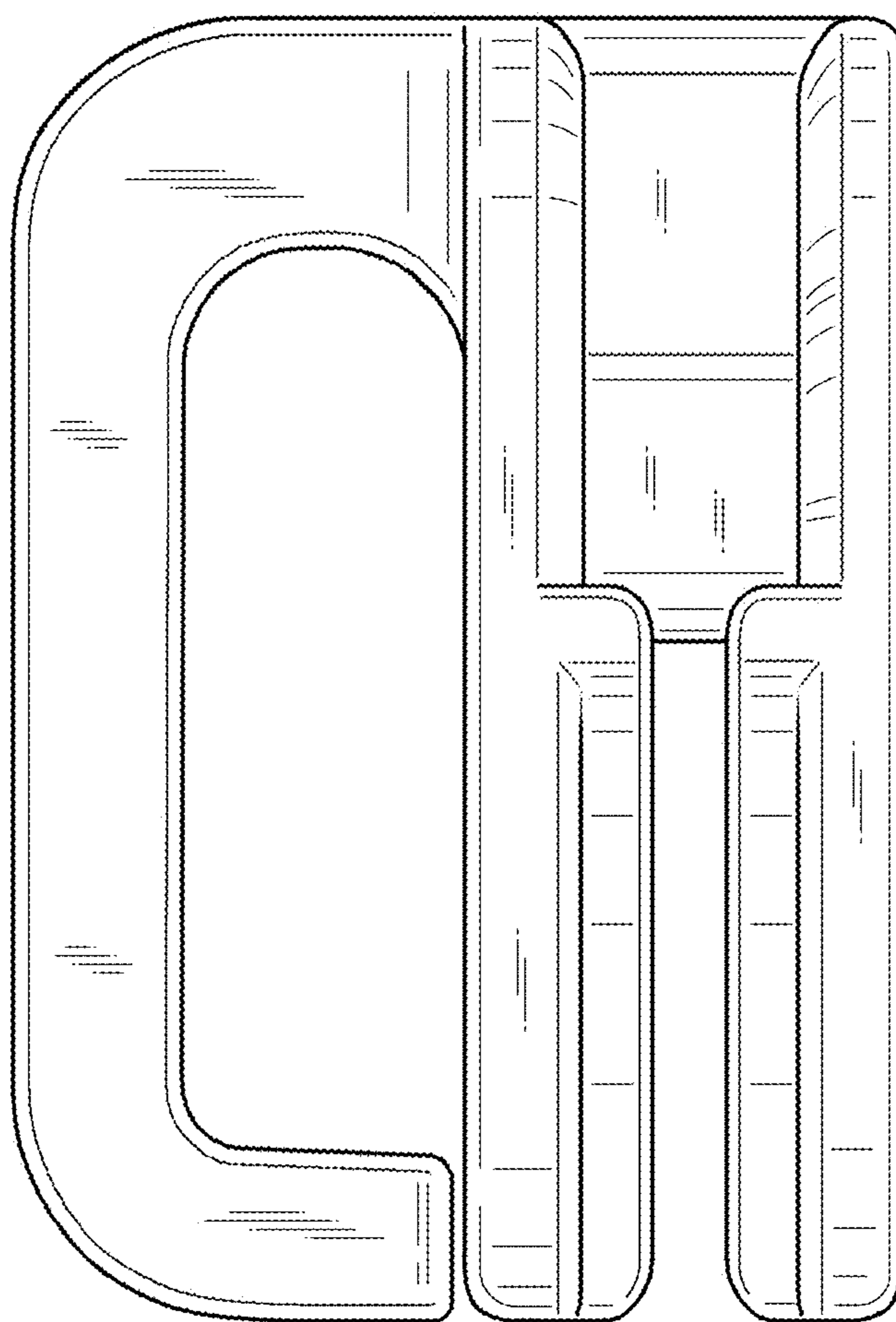


Fig. 5

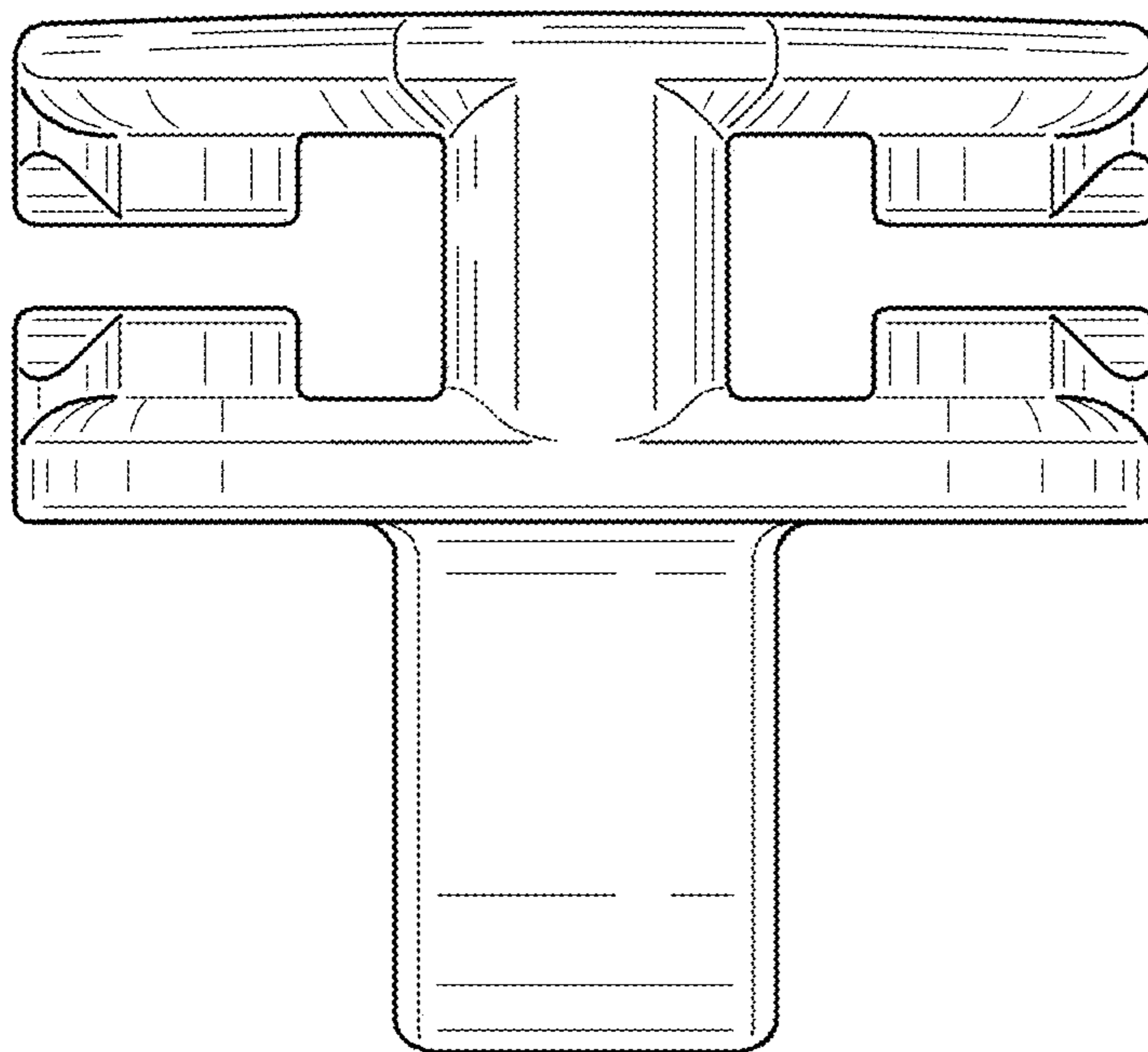


Fig. 6

