



US00D815981S

(12) **United States Design Patent** (10) **Patent No.:** **US D815,981 S**
Meador, III et al. (45) **Date of Patent:** **** Apr. 24, 2018**

(54) **BUCKLE MEMBER**
(71) Applicant: **MMI Outdoor, Inc.**, Montgomery, AL (US)
(72) Inventors: **William V. Meador, III**, Opelika, AL (US); **Ryan T. Torpey**, Montgomery, AL (US)
(73) Assignee: **MMI Outdoor, Inc.**, Montgomery, AL (US)
(**) Term: **15 Years**

5,735,024 A * 4/1998 Ortiz A44B 11/266 24/573.11
6,622,350 B2 9/2003 Austin et al.
6,826,806 B2 12/2004 Eaton et al.
7,290,313 B2 11/2007 Southern
8,225,468 B2 7/2012 Wanzenboeck
D686,525 S * 7/2013 Ishii D11/216
8,726,850 B2 5/2014 Rosenquist et al.

FOREIGN PATENT DOCUMENTS

CA 2234015 A1 10/1999
WO 2007041803 A1 4/2007

* cited by examiner

(21) Appl. No.: **29/568,412**
(22) Filed: **Jun. 17, 2016**
(51) **LOC (11) Cl.** **02-07**
(52) **U.S. Cl.**
USPC **D11/216**
(58) **Field of Classification Search**
USPC D11/1-2, 200-201, 206-210, 214-218;
24/163 R, 169-171, 173, 177-179, 191,
24/194-195, 197, 200, 614-616, 625,
24/198, 578.11, 578.1, 163 K, 114;
D2/853, 624
CPC A44B 11/26; A44B 11/25; A44B 11/06;
A44B 11/266; A44B 11/04; A44B 11/01;
A44B 11/001; A44B 11/10
See application file for complete search history.

Primary Examiner — Ralf T Seifert
(74) *Attorney, Agent, or Firm* — Bush Intellectual Property Law; Kenneth M. Bush

(57) **CLAIM**

We claim the ornamental design for a buckle member, as shown and described.

DESCRIPTION

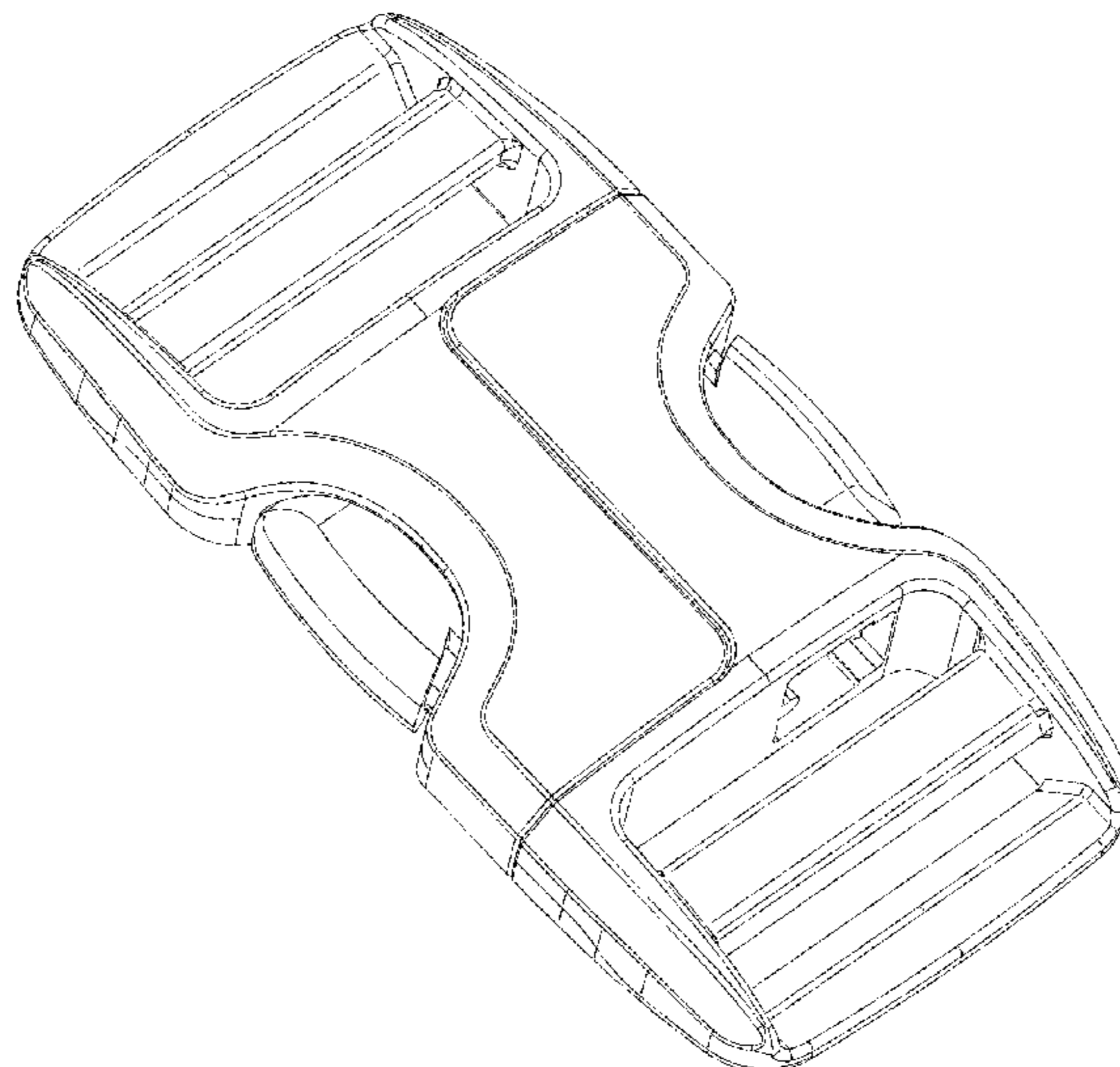
FIG. 1 is a front, top, left side perspective view of a buckle member showing my new design;
FIG. 2 is a front, top, right side perspective view thereof;
FIG. 3 is a rear, top, left side perspective view thereof;
FIG. 4 is a rear, bottom, right side perspective view thereof;
FIG. 5 is a left side elevational view thereof;
FIG. 6 is a right side elevational view thereof;
FIG. 7 is a rear elevational view thereof;
FIG. 8 is a front elevational view thereof;
FIG. 9 is a top plan view thereof;
FIG. 10 is a bottom plan view thereof; and,
FIG. 11 is a perspective view of a buckle member mated to an identical buckle member to form a buckle fastener.

(56) **References Cited**

U.S. PATENT DOCUMENTS

4,569,106 A 2/1986 Lovato
4,621,393 A * 11/1986 Ambal A44B 11/266 24/171
4,779,315 A 10/1988 Kohus
5,203,058 A 4/1993 Krauss

1 Claim, 5 Drawing Sheets



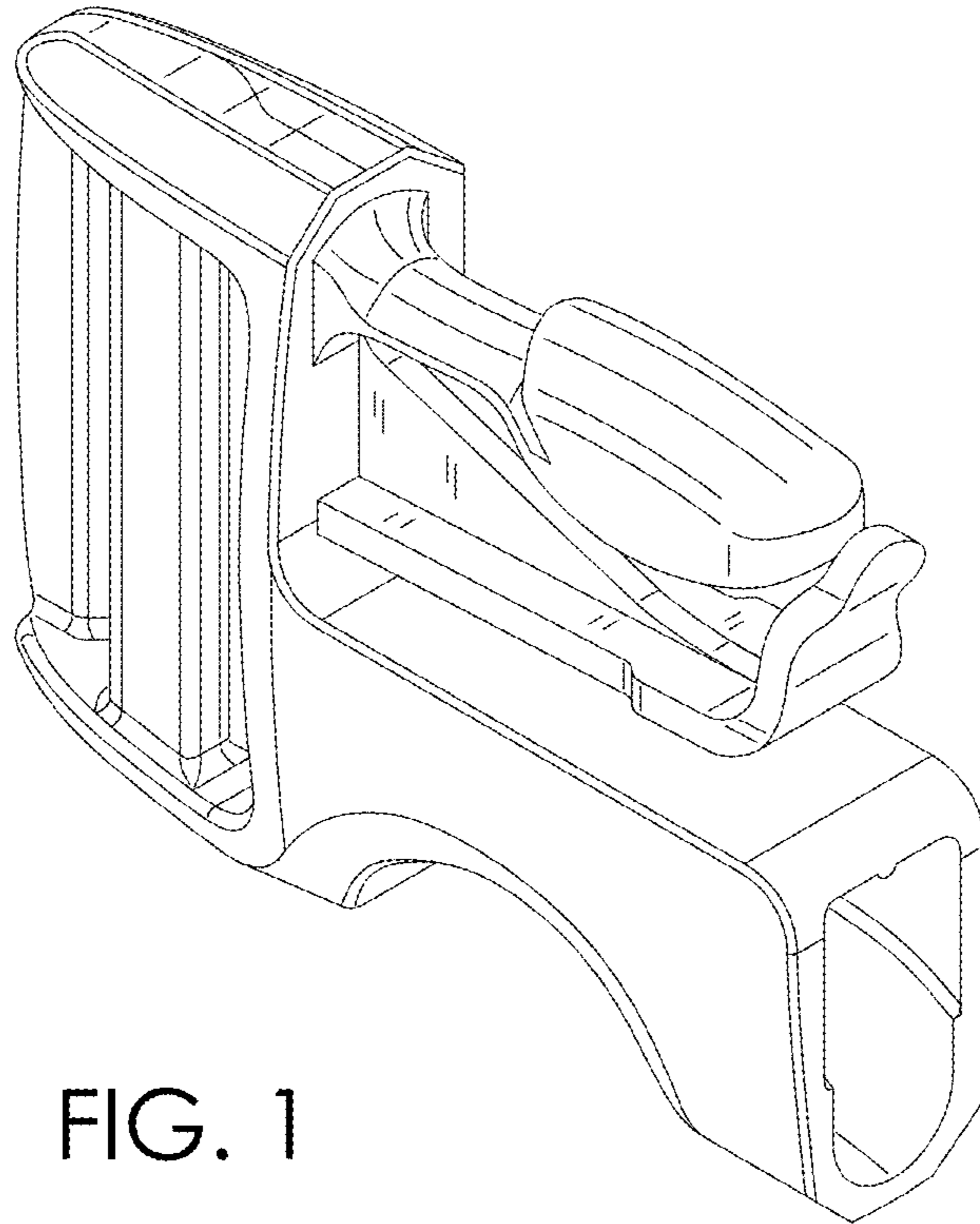


FIG. 1

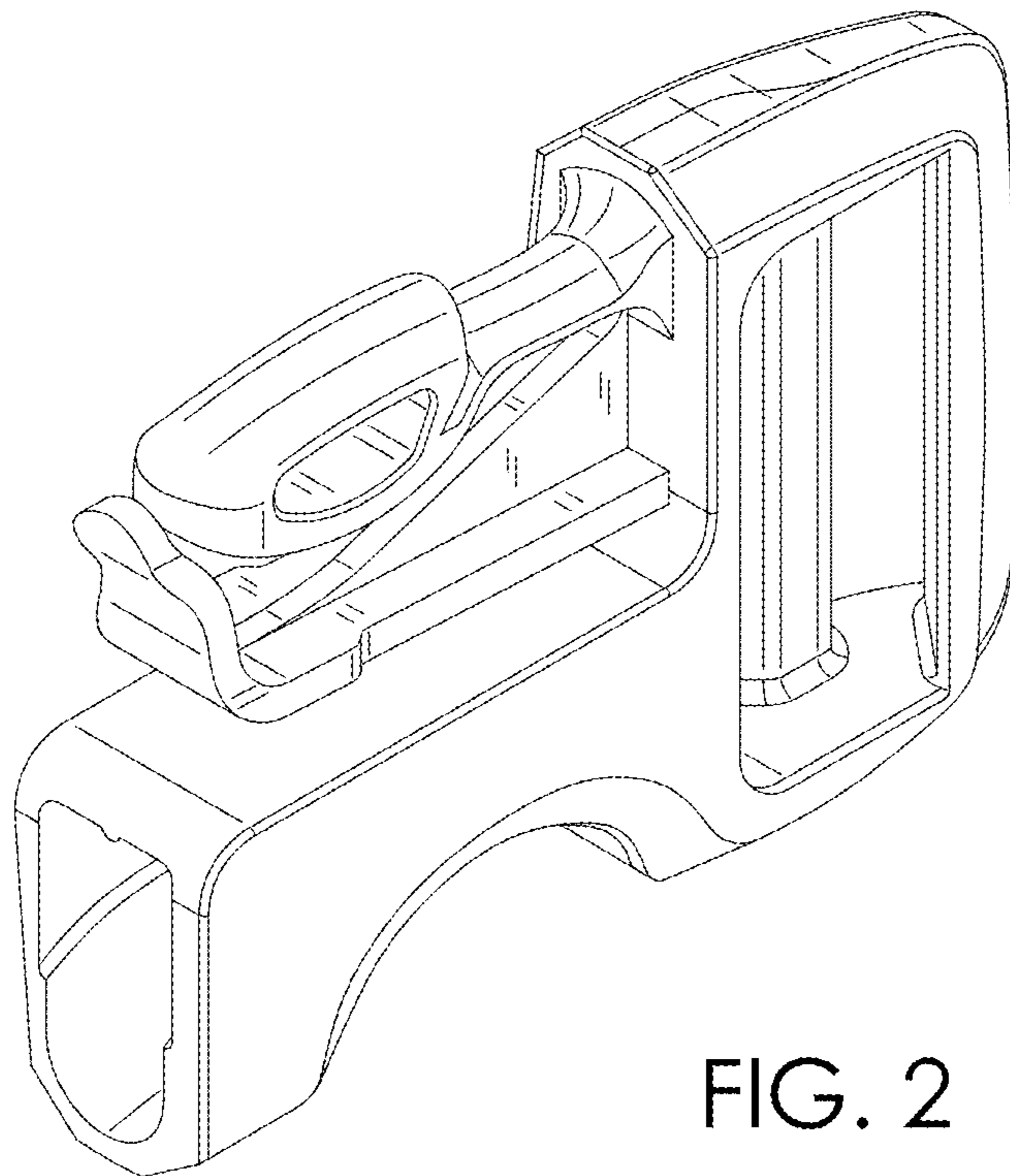
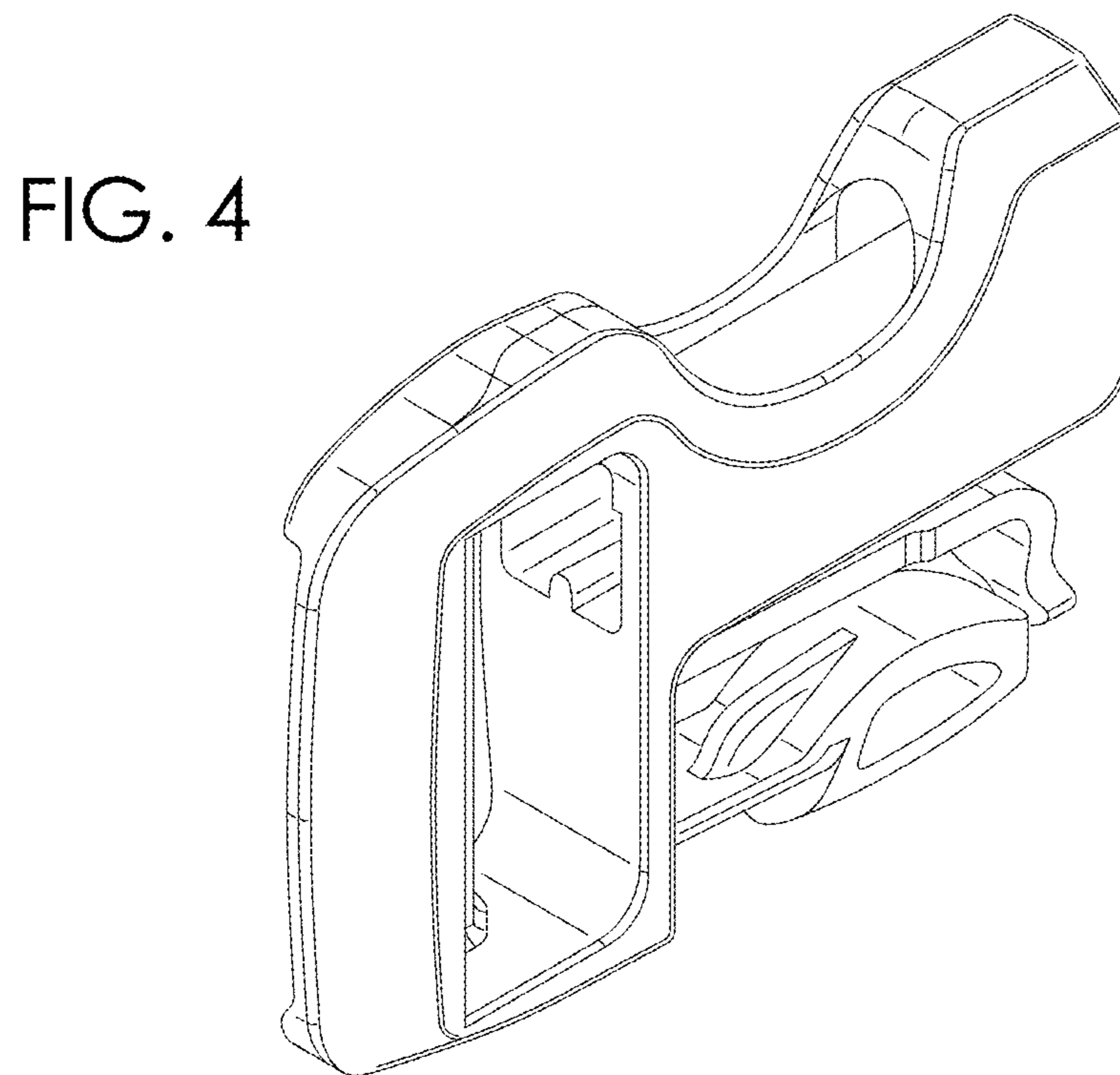
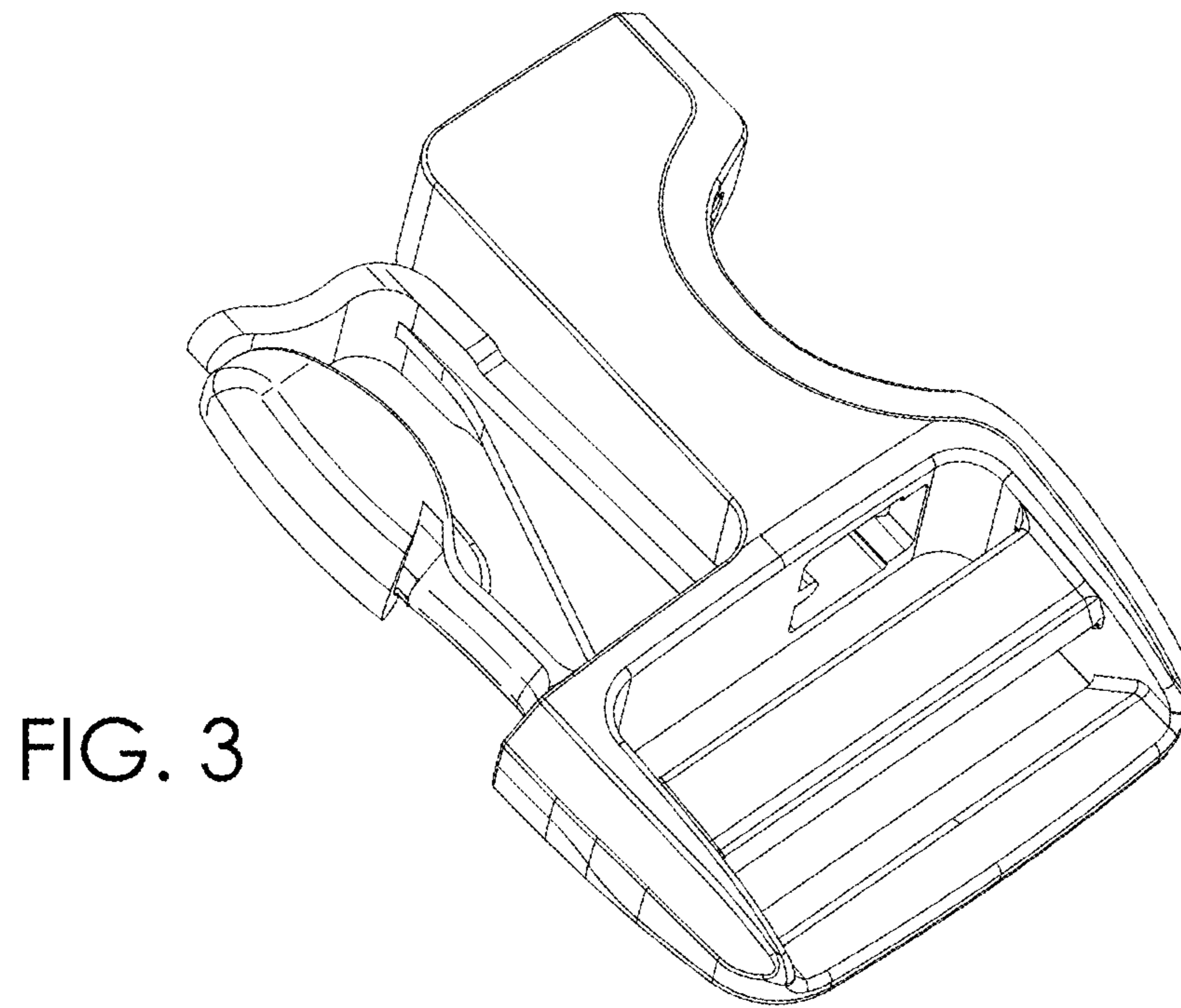


FIG. 2



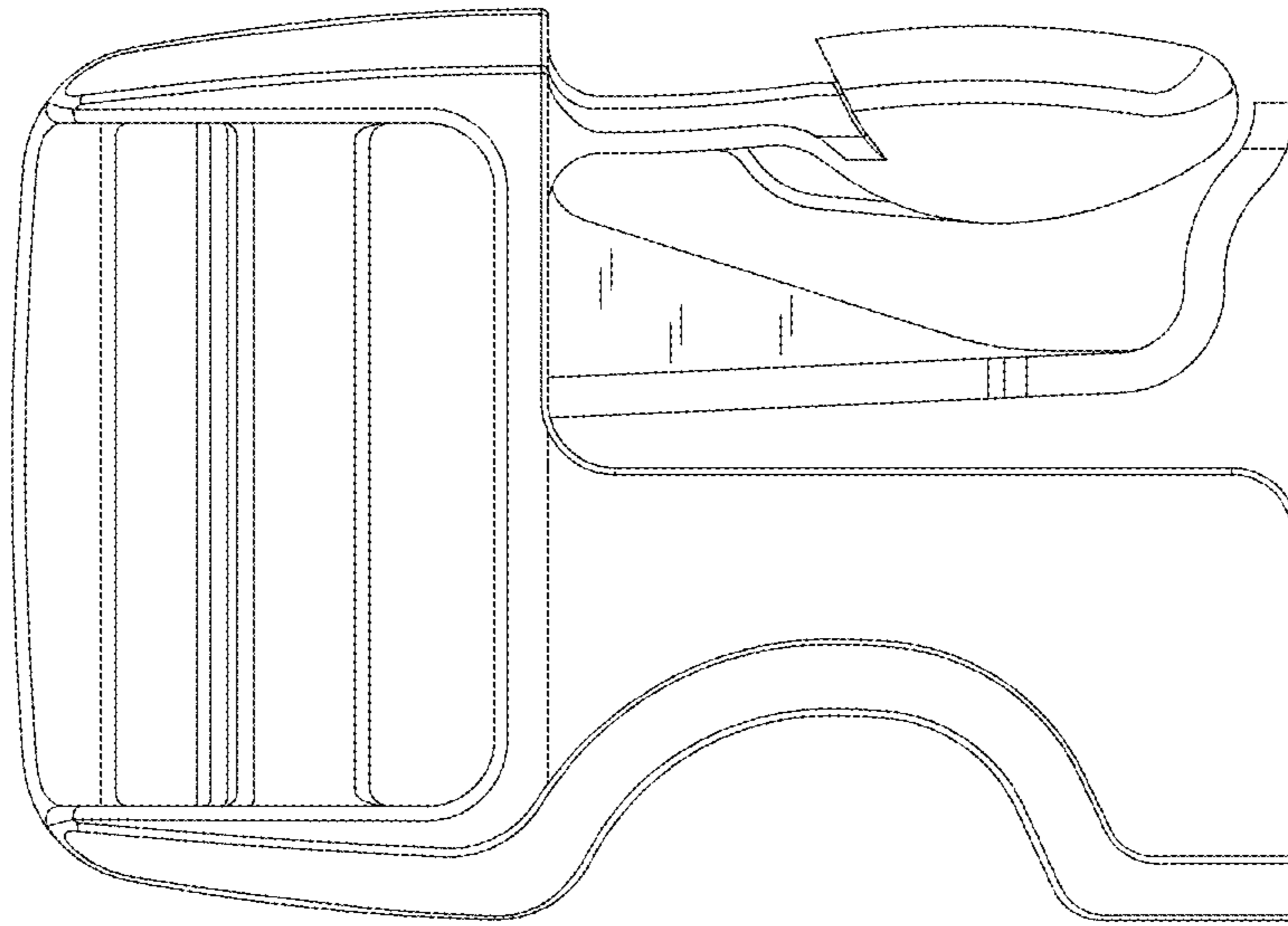


FIG. 5

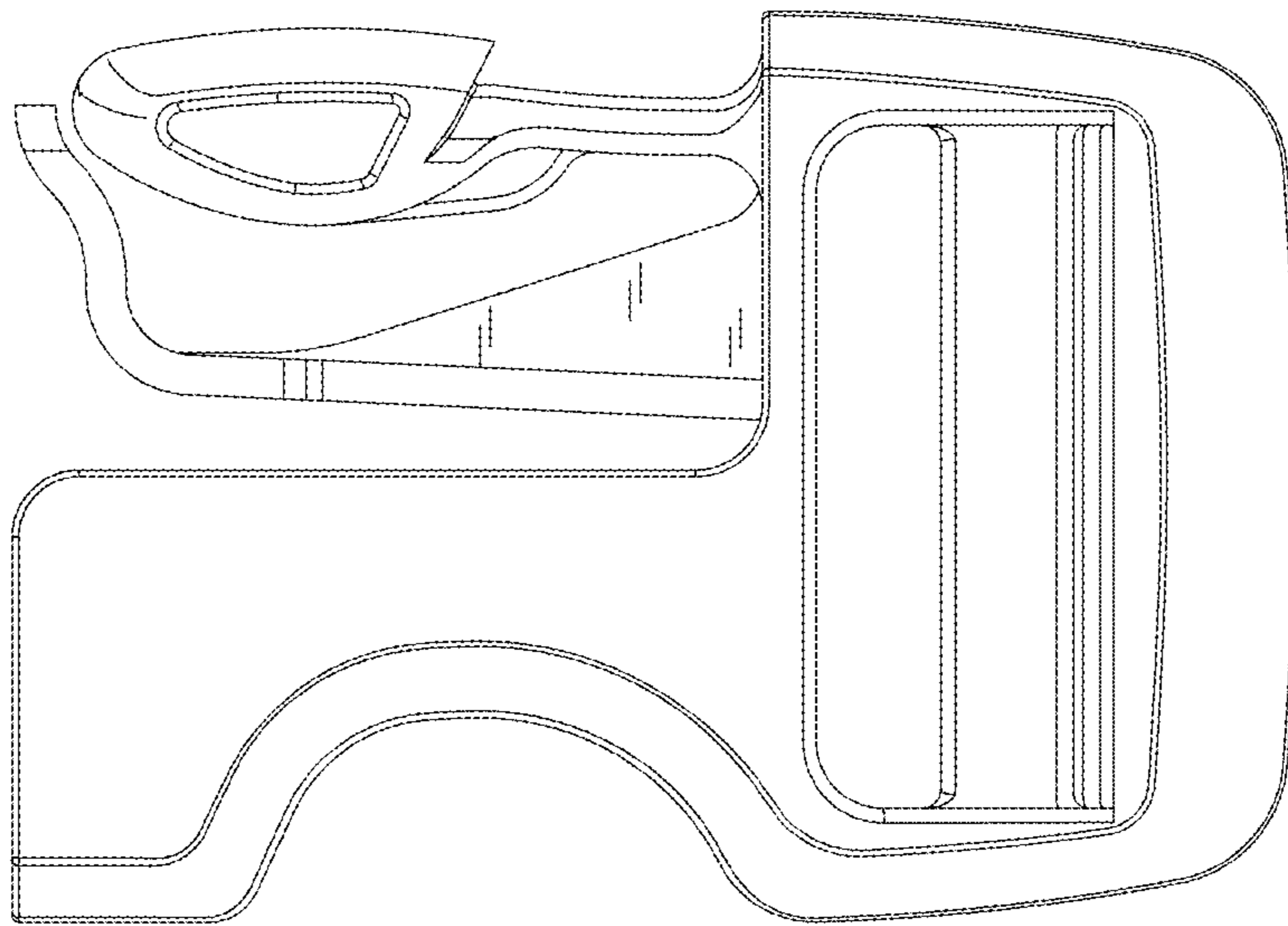


FIG. 6

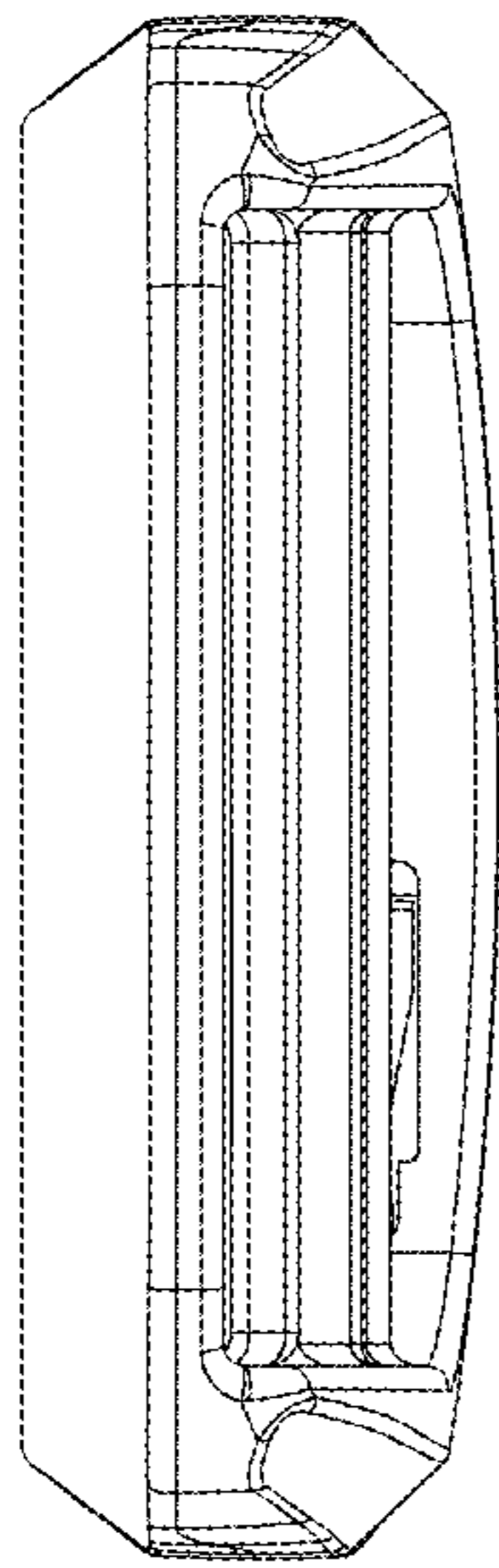


FIG. 7

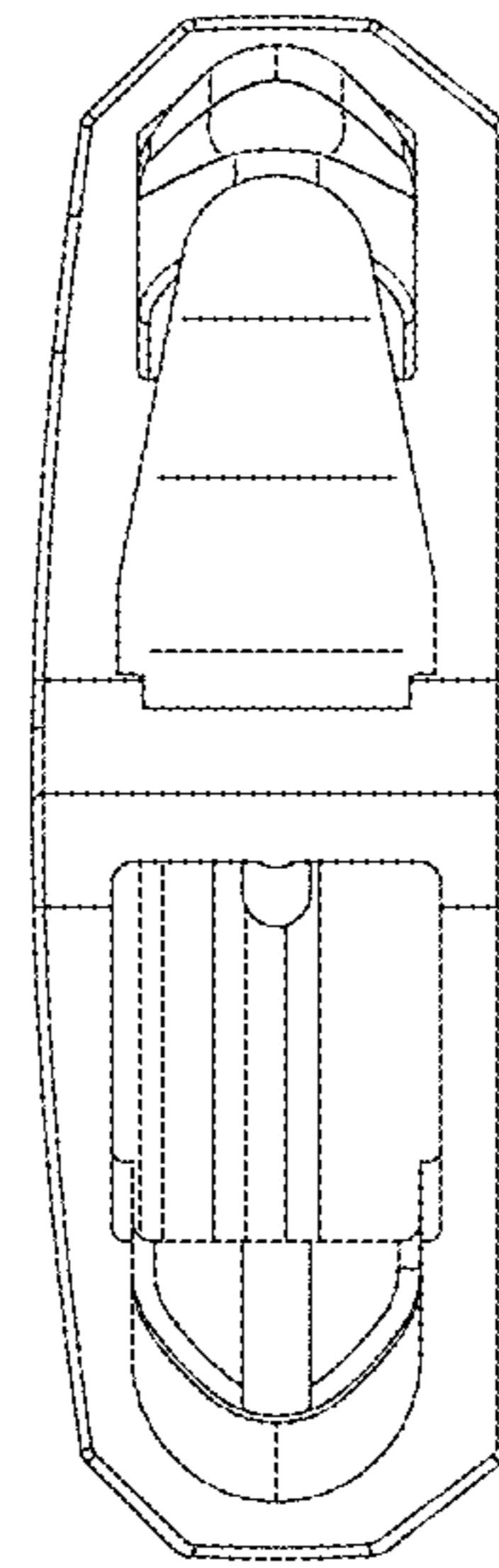


FIG. 8

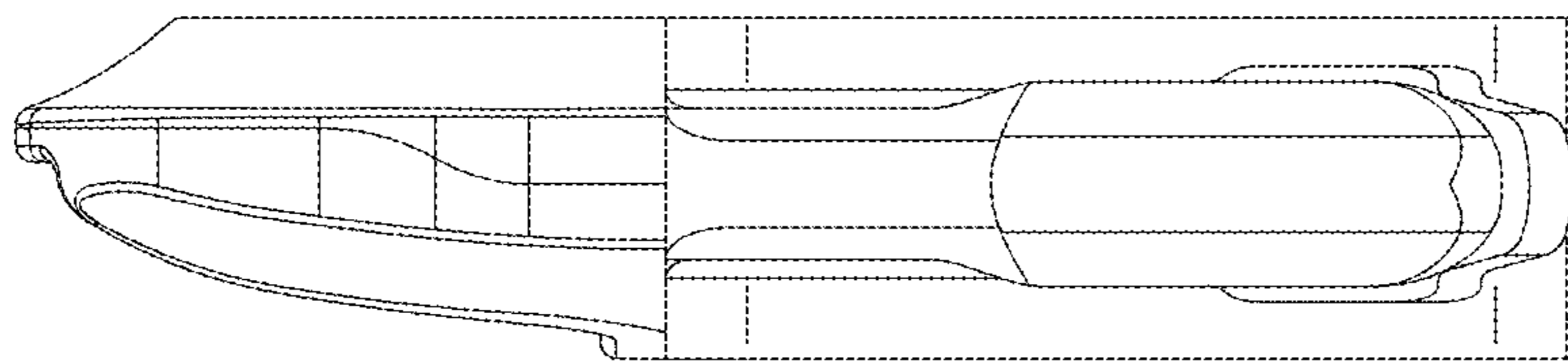


FIG. 9

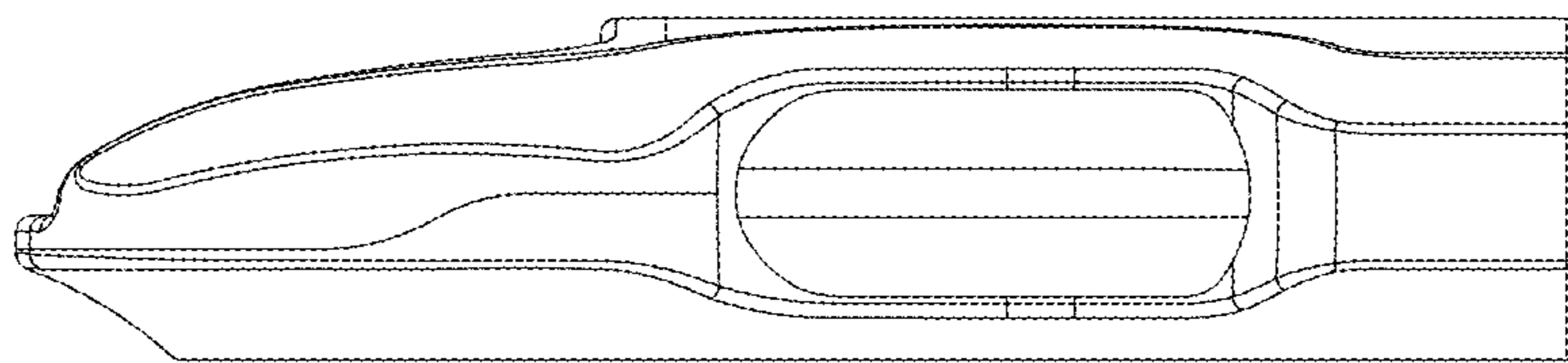


FIG. 10

