



US00D815979S

(12) **United States Design Patent** (10) **Patent No.:** **US D815,979 S**
Odigie (45) **Date of Patent:** **** Apr. 24, 2018**

(54) **TROPHY**
(71) Applicant: **Tony Odigie**, Antioch, TN (US)
(72) Inventor: **Tony Odigie**, Antioch, TN (US)
(73) Assignee: **Tony Odigie**, Antioch, TN (US)
(**) Term: **15 Years**

D587,623 S * 3/2009 Baker D11/131
D596,675 S * 7/2009 Roman Moreno D20/29
D621,199 S * 8/2010 Lam D7/325
D633,569 S * 3/2011 Jarrett D20/19
D637,239 S * 5/2011 Walterscheid D21/398
D642,218 S * 7/2011 Sanders D20/1
D655,560 S * 3/2012 Stone D19/155
D678,418 S * 3/2013 Bengyak D20/29
D685,127 S * 6/2013 Reich D26/104
(Continued)

(21) Appl. No.: **29/554,154**
(22) Filed: **Feb. 9, 2016**
(51) **LOC (11) Cl.** **11-02**
(52) **U.S. Cl.**
USPC **D11/157**
(58) **Field of Classification Search**
USPC D11/157, 164; D26/51, 57, 93, 94;
D21/398, 712, 483, 589; D99/5, 34-37,
D99/42
CPC A47G 33/004; G09F 19/00
See application file for complete search history.

OTHER PUBLICATIONS

Basketball Word Trophy (via midcitytrophies.com.au), available Mar. 17, 2017, [online], [site visited Mar. 17, 2017]. Available from Internet, <URL: <http://midcitytrophies.com.au/product/basketball-slam-trophy-available-male-female-tc/>>.*

(Continued)

Primary Examiner — Cathron C Brooks
Assistant Examiner — W. A. Teddy Falloway
(74) *Attorney, Agent, or Firm* — Mark A. Kilgore;
Patterson Intellectual Property Law, P.C.

(56) **References Cited**

U.S. PATENT DOCUMENTS

2,634,934 A * 4/1953 Martin F16B 5/12
248/158
D186,452 S * 10/1959 Lakin D21/589
D258,125 S * 2/1981 Bailey D11/157
4,454,204 A * 6/1984 Posey A45C 1/12
428/11
D310,137 S * 8/1990 Mays D21/712
5,322,739 A * 6/1994 Stagl G09F 19/00
428/542.4
D355,792 S * 2/1995 White D6/674
D359,655 S * 6/1995 Hurst D7/514
D387,772 S * 12/1997 Steinberg D14/230
D401,638 S * 11/1998 Pollard D21/754
D406,378 S * 3/1999 Walters D11/157
D414,819 S * 10/1999 Pool D21/400
D420,256 S * 2/2000 Hersch D7/515
6,199,804 B1 * 3/2001 Donofrio, Jr. A47F 7/0028
248/121
D587,163 S * 2/2009 Baker D11/131

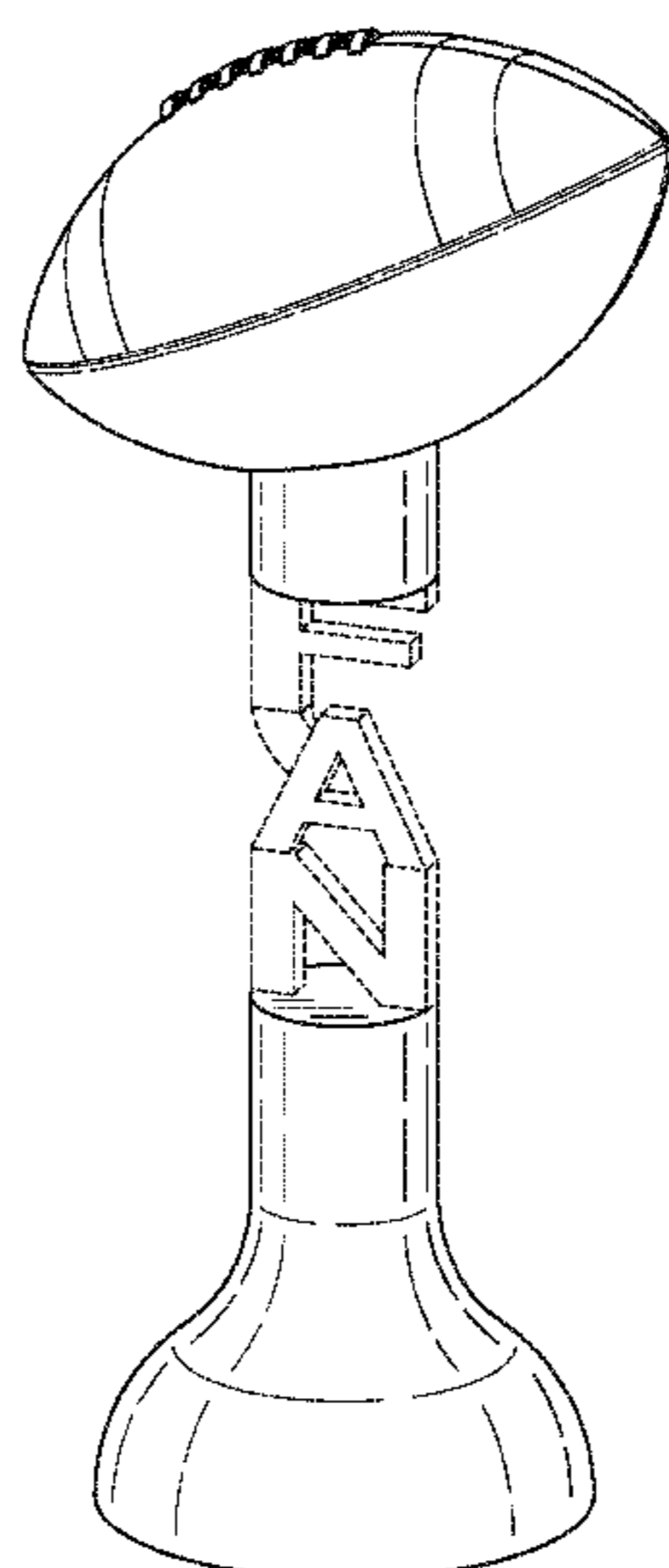
(57) **CLAIM**

What is claimed is the ornamental design for a trophy, as shown and described.

DESCRIPTION

FIG. 1 is a top perspective view of a trophy;
FIG. 2 is a left side view of the trophy of FIG. 1.
FIG. 3 is a front elevation view of the trophy of FIG. 1.
FIG. 4 is a right side view of the trophy of FIG. 1.
FIG. 5 is a rear elevation view of the trophy of FIG. 1.
FIG. 6 is a top plan view of the trophy of FIG. 1; and,
FIG. 7 is a bottom plan view of the trophy of FIG. 1.
The broken lines illustrate portions of the trophy and form no part of the claimed design.

1 Claim, 6 Drawing Sheets



(56)

References Cited

U.S. PATENT DOCUMENTS

2001/0034177 A1* 10/2001 Hunn A63H 5/00
446/73
2007/0039216 A1* 2/2007 Scarpitti G09F 27/00
40/447
2008/0020873 A1* 1/2008 Miller A63B 21/0602
473/575

OTHER PUBLICATIONS

Fantasy Football Trophy (via amazon.com), available Aug. 4, 2016, [online], [site visited Mar. 17, 2017]. Available from internet, <URL: https://www.amazon.com/FANTASY-FOOTBALL-TROPHY-LIFESIZE-PERPETUAL/dp/B01B3RNOUU/ref=sr_1_21?ie=UTF8&qid=1489802320&sr=8-21&keywords=football+trophy.*

Fantasy Football Champion Trophy (via amazon.com), available Jan. 28, 2015, [online], [site visited Mar. 17, 2017]. Available from internet, <URL: https://www.amazon.com/Fantasy-Football-Champion-Trophy-Tall/dp/B00OVB2WTQ/ref=sr_1_75?ie=UTF8&qid=1489802538&sr=8-75&keywords=football+trophy.*

* cited by examiner

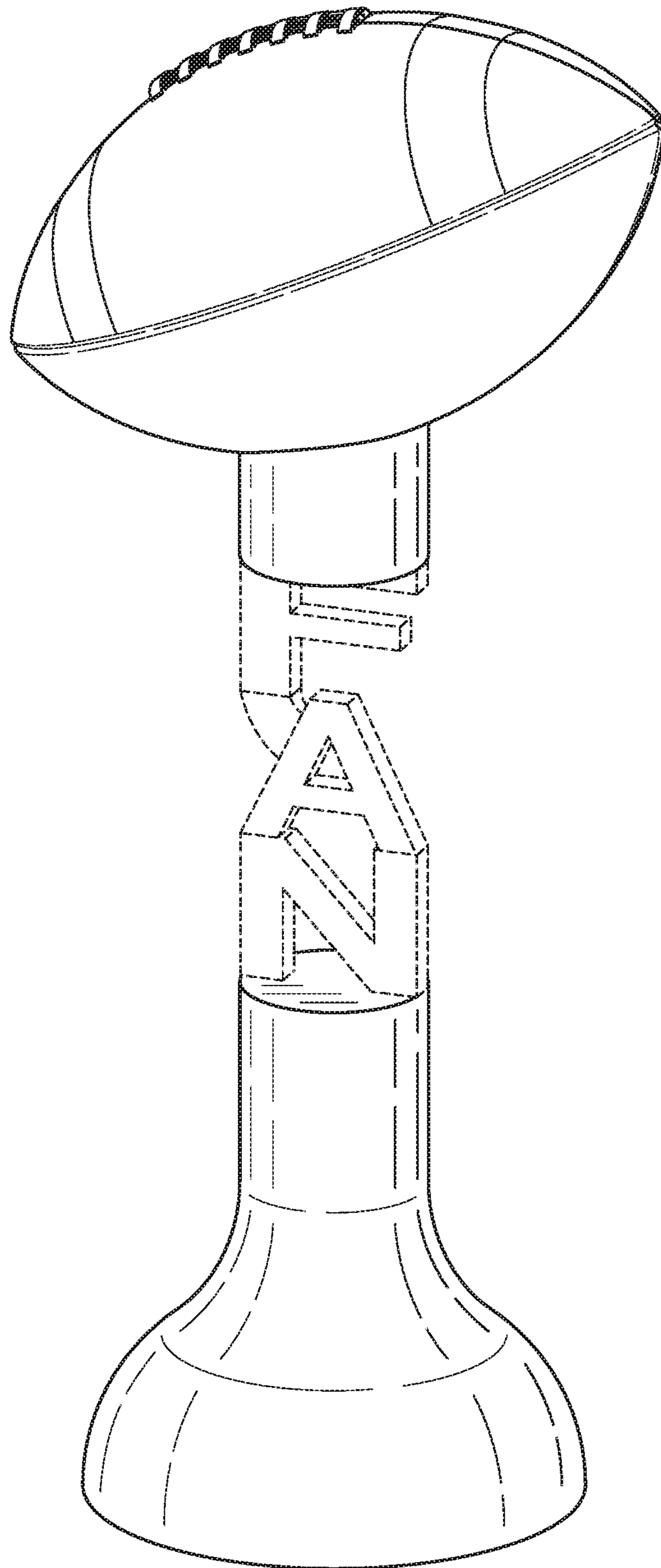


FIG. 1

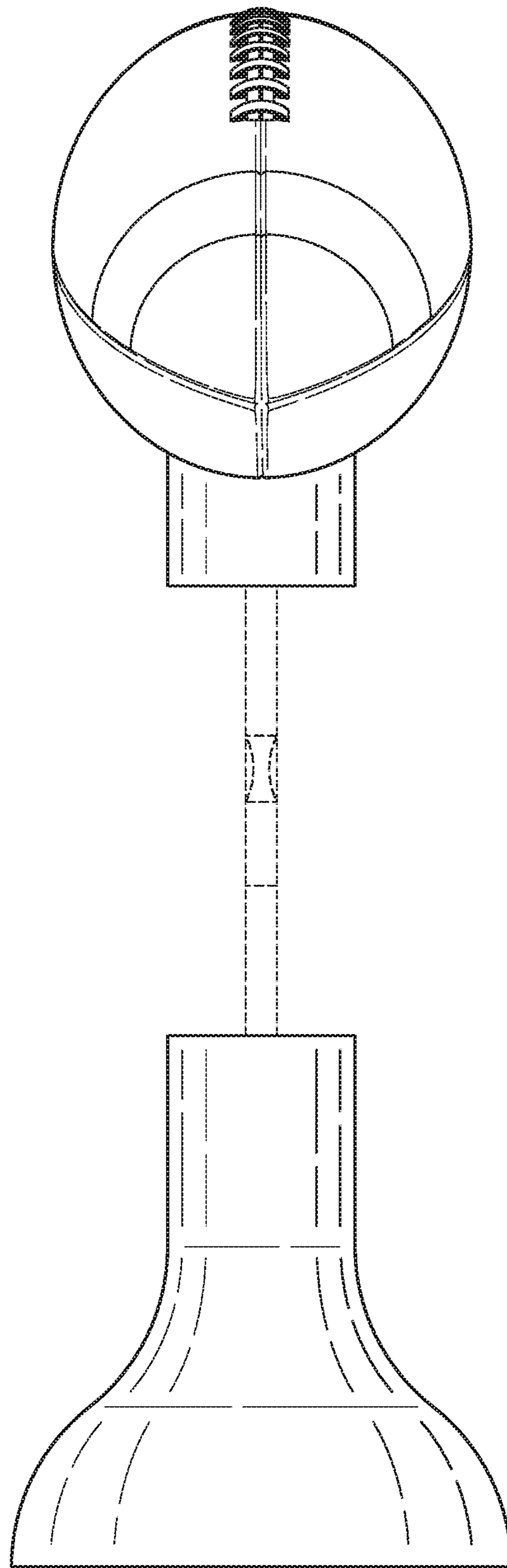


FIG. 2

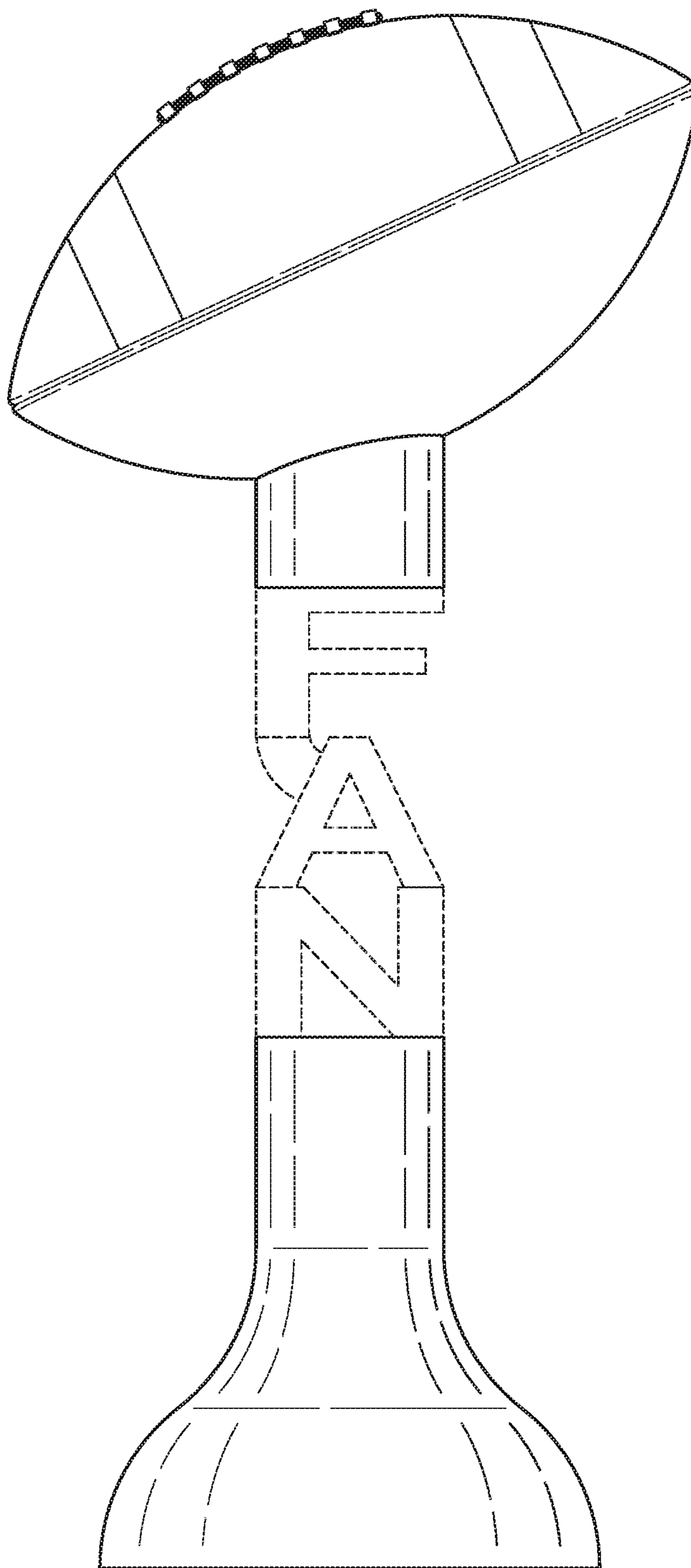


FIG. 3

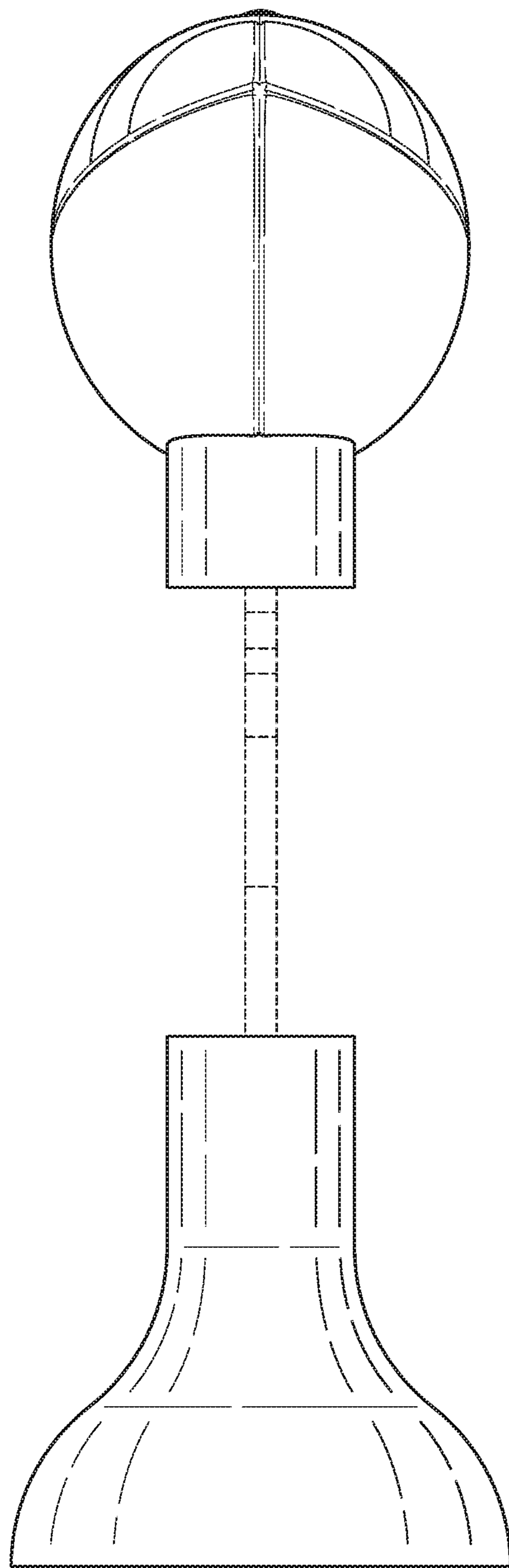


FIG. 4

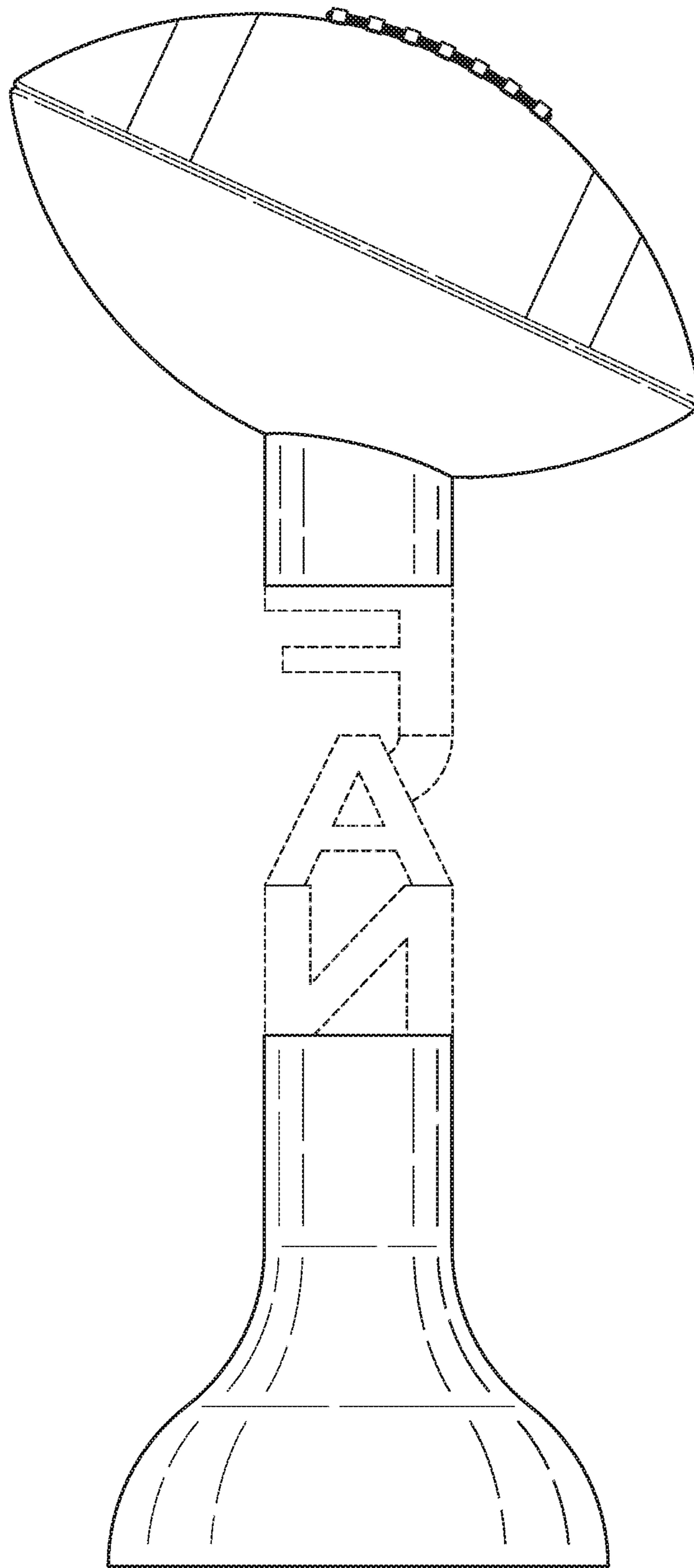


FIG. 5

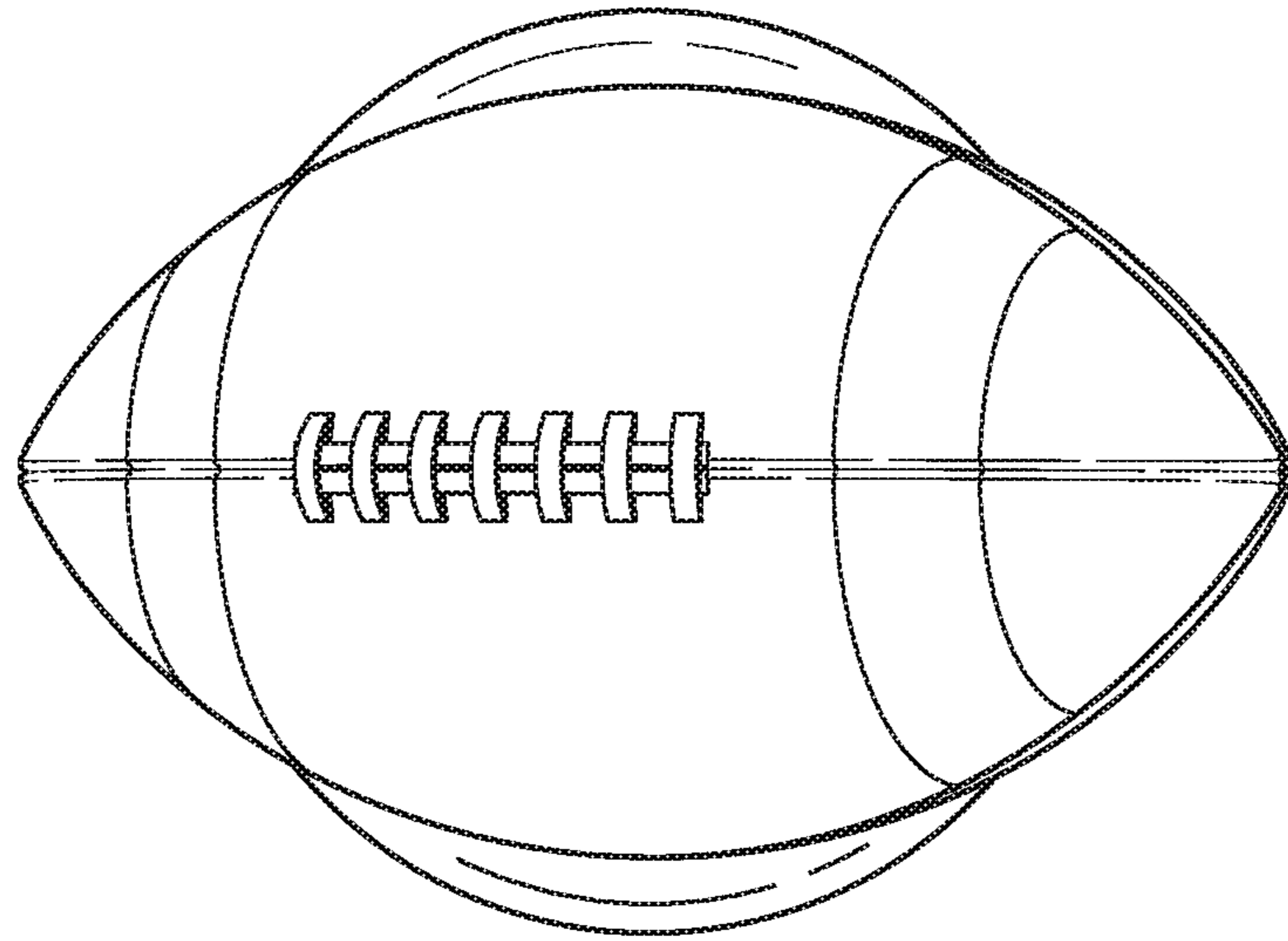


FIG. 6

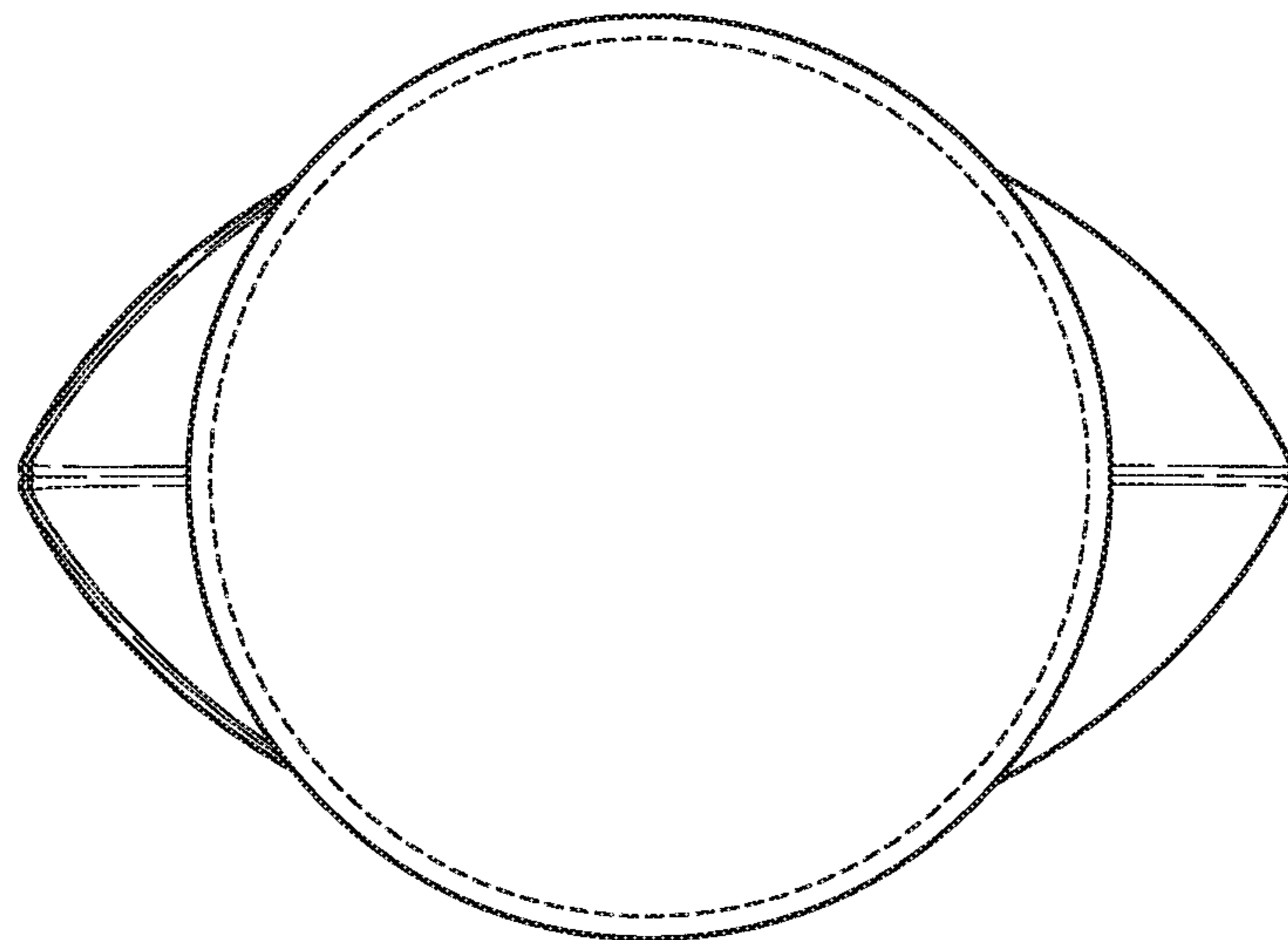


FIG. 7