



US00D815977S

(12) **United States Design Patent**
Hollis

(10) **Patent No.:** **US D815,977 S**
(45) **Date of Patent:** **** Apr. 24, 2018**

- (54) **TERRARIUM**
- (71) Applicant: **Nathan Alan Hollis**, Dallas, TX (US)
- (72) Inventor: **Nathan Alan Hollis**, Dallas, TX (US)
- (**) Term: **15 Years**
- (21) Appl. No.: **29/635,141**
- (22) Filed: **Jan. 29, 2018**
- (51) **LOC (11) Cl.** **11-02**
- (52) **U.S. Cl.**
USPC **D11/145**
- (58) **Field of Classification Search**
USPC D11/143–156, 164; D30/101–104
CPC A01K 63/00; A01K 63/003; A01K 63/006;
A01K 63/06; A01G 13/04
See application file for complete search history.

(56) **References Cited**

U.S. PATENT DOCUMENTS

- 1,043,594 A * 11/1912 Hill A01G 13/04
47/29.3
- 2,830,405 A * 4/1958 Nydegger A01G 9/00
206/423
- 3,106,801 A * 10/1963 Risacher A01G 9/16
47/17
- 3,152,574 A * 10/1964 Stout A01K 63/003
119/269
- 3,244,145 A * 4/1966 Braunhut A01K 63/003
119/269
- 3,769,935 A * 11/1973 Johnson A01K 63/003
119/263
- D229,838 S * 1/1974 Johnson 119/269
- D240,448 S * 7/1976 Hitomi D11/145
- D241,333 S * 9/1976 Wheeler D25/16
- 3,994,811 A * 11/1976 Cohen A01K 63/04
210/167.25
- 4,078,522 A * 3/1978 Akers A01K 63/006
119/266

- 4,094,271 A * 6/1978 Louis A01K 63/006
119/245
- 4,156,401 A * 5/1979 Ogui A01K 63/003
119/259
- D271,387 S * 11/1983 Lentz D11/145
- 5,078,093 A * 1/1992 Flaherty A01K 63/006
119/256
- D347,911 S * 6/1994 Tominaga D30/101
- D350,626 S * 9/1994 Ross D30/101
- D359,587 S * 6/1995 Ross
- D371,088 S * 6/1996 Vollick D11/145
- D397,520 S * 8/1998 Ichikawa D30/101
- 5,799,614 A * 9/1998 Greenwood A01K 63/065
119/452

(Continued)

Primary Examiner — Elizabeth Albert

(74) *Attorney, Agent, or Firm* — Stephen E. Zweig

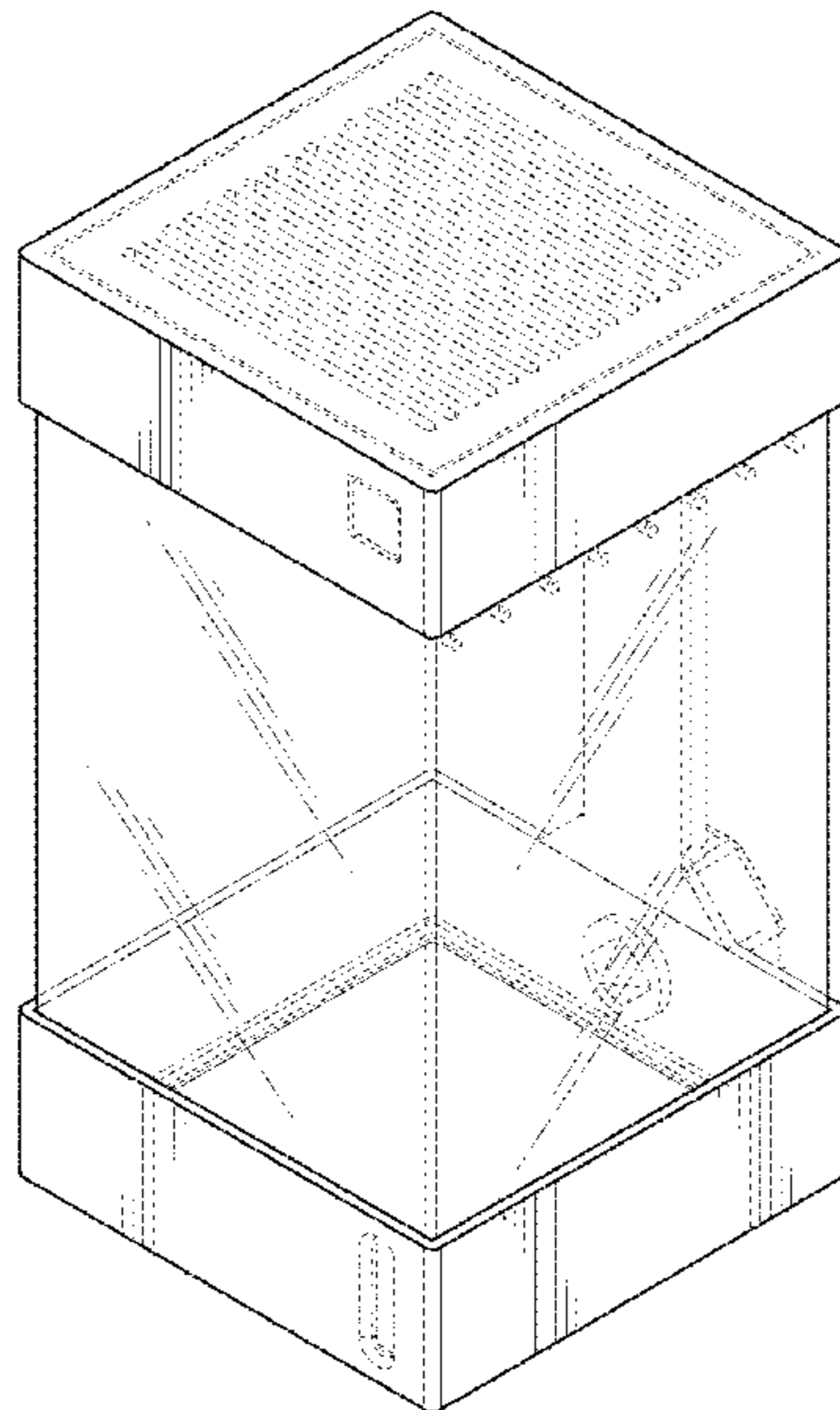
(57) **CLAIM**

The ornamental design for a terrarium, as shown and described.

DESCRIPTION

FIG. 1 is a top perspective view of the terrarium according to the present invention.
 FIG. 2 is a front elevational view of the terrarium of FIG. 1.
 FIG. 3 is a back elevational view of the terrarium of FIG. 1.
 FIG. 4 is a left side elevational view of the terrarium of FIG. 1.
 FIG. 5 is a right side elevational view of the terrarium of FIG. 1.
 FIG. 6 is a top plan view of the terrarium of FIG. 1.
 FIG. 7 is a bottom plan view of the terrarium of FIG. 1; and,
 FIG. 8 is a bottom perspective view of the terrarium of FIG. 1.
 The dashed lines in the figures are for environmental purposes only, and form no part of the claimed design.

1 Claim, 8 Drawing Sheets



(56)

References Cited

U.S. PATENT DOCUMENTS

5,833,137	A *	11/1998	Liao	A01K 63/003 239/14.1
D473,347	S	4/2003	Vines	
D537,213	S	2/2007	Selstad	
D604,196	S *	11/2009	Bissonnette	D11/144
8,839,555	B2	9/2014	Wang	
9,226,483	B2 *	1/2016	Li	A01K 63/006
2010/0276410	A1	11/2010	Hudson	
2013/0092093	A1 *	4/2013	Potts	A01K 63/003 119/247
2016/0128301	A1 *	5/2016	Venezia	A01K 1/03 119/248

* cited by examiner

FIG. 1

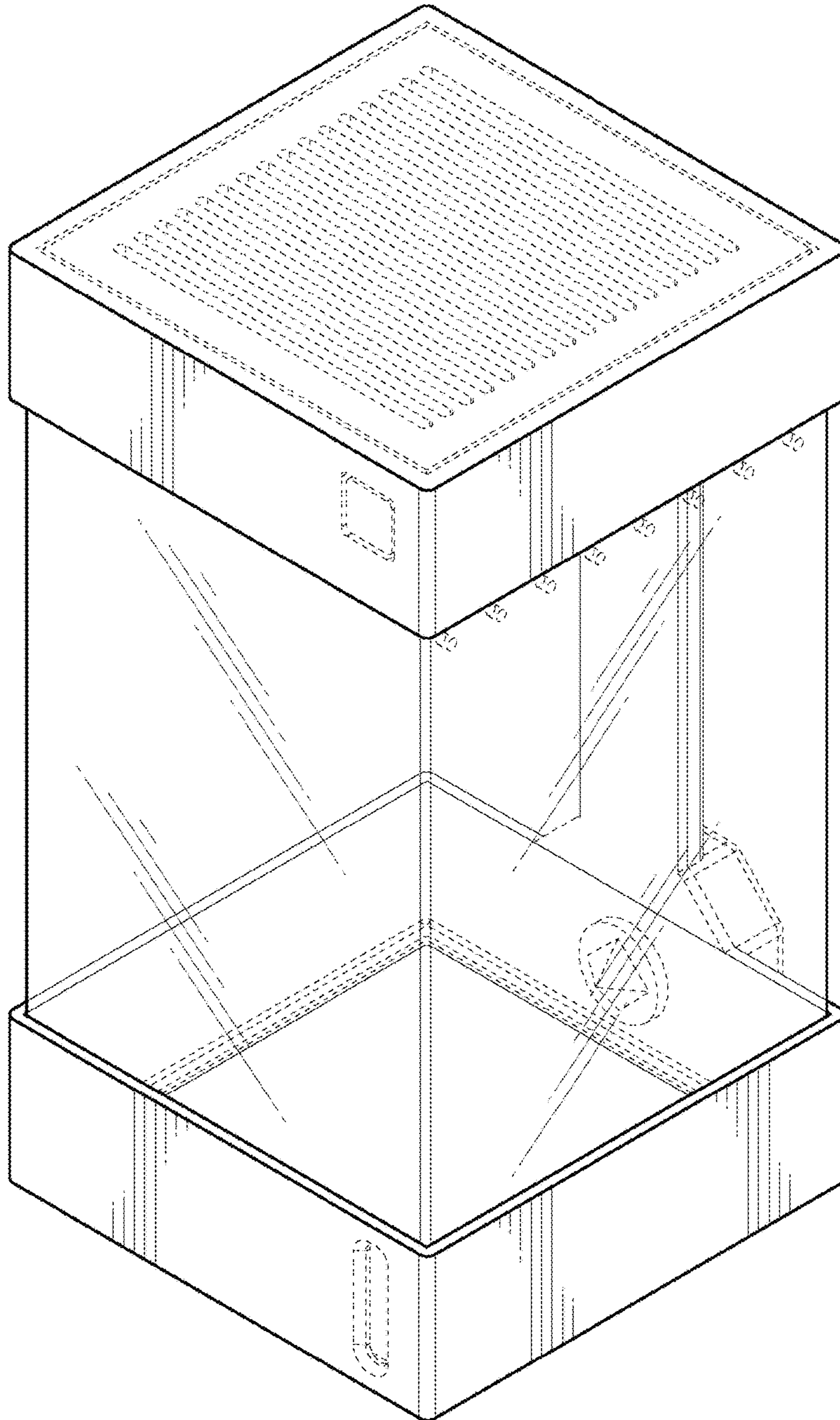


FIG. 2

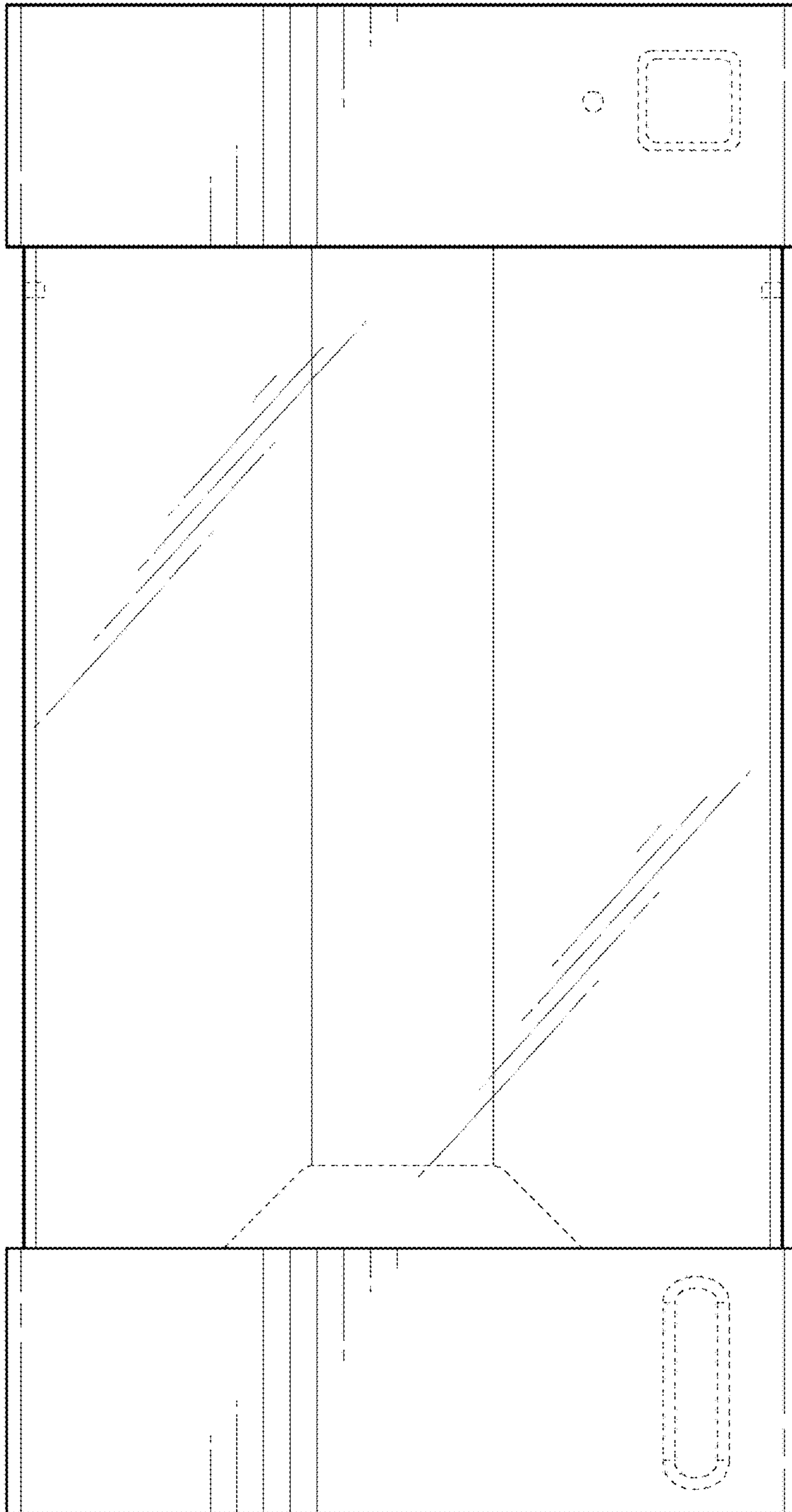


FIG. 3

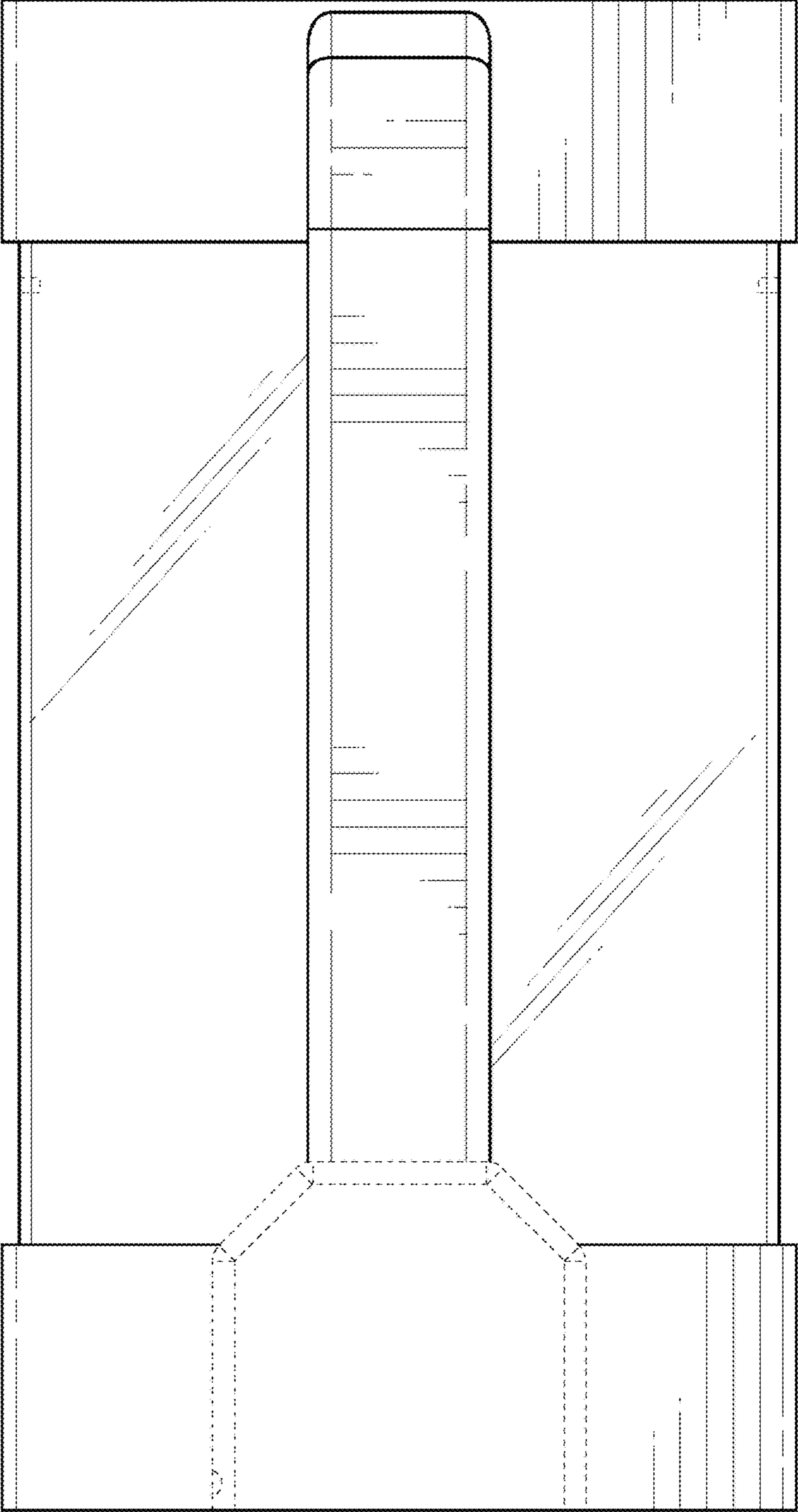


FIG. 4

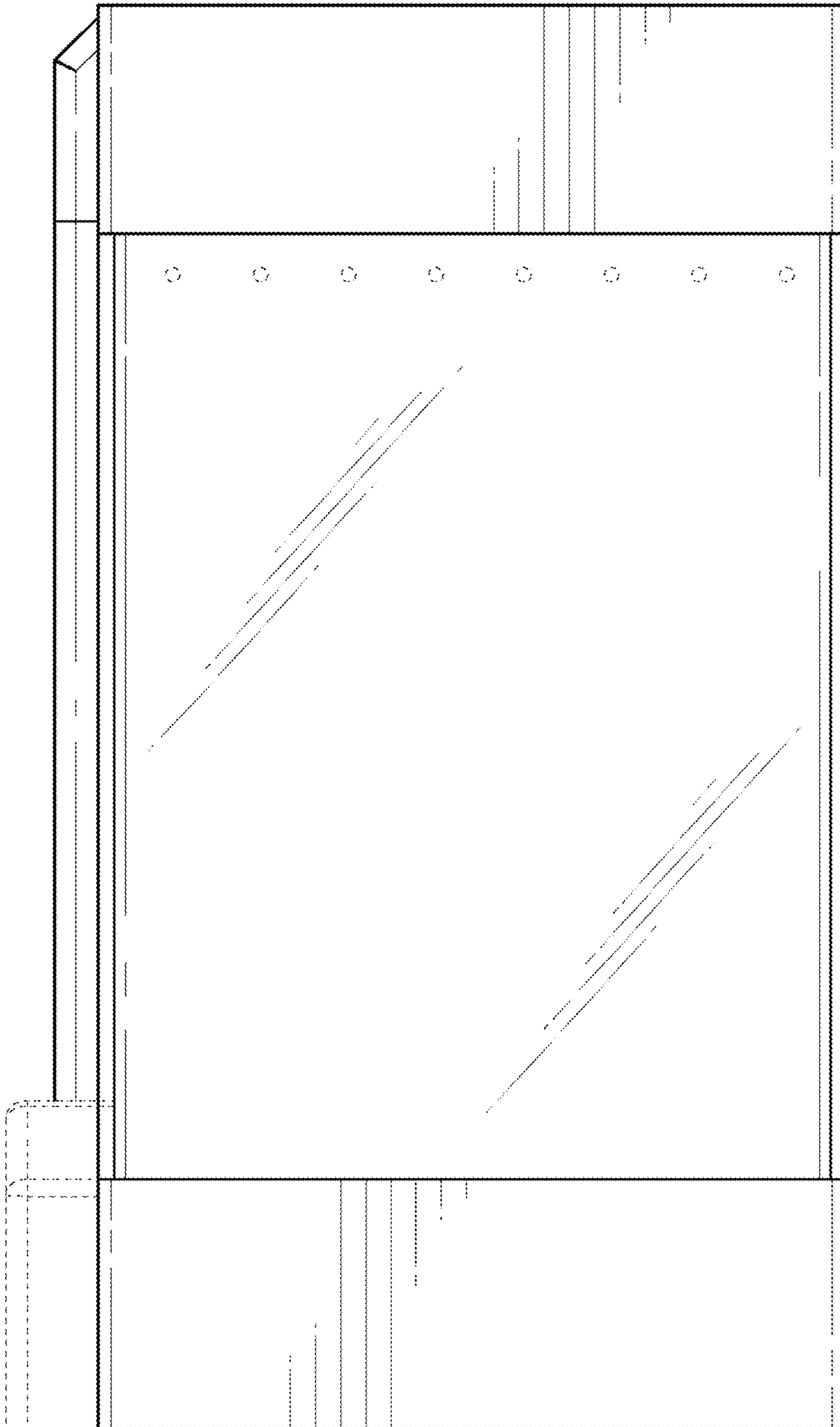


FIG. 5

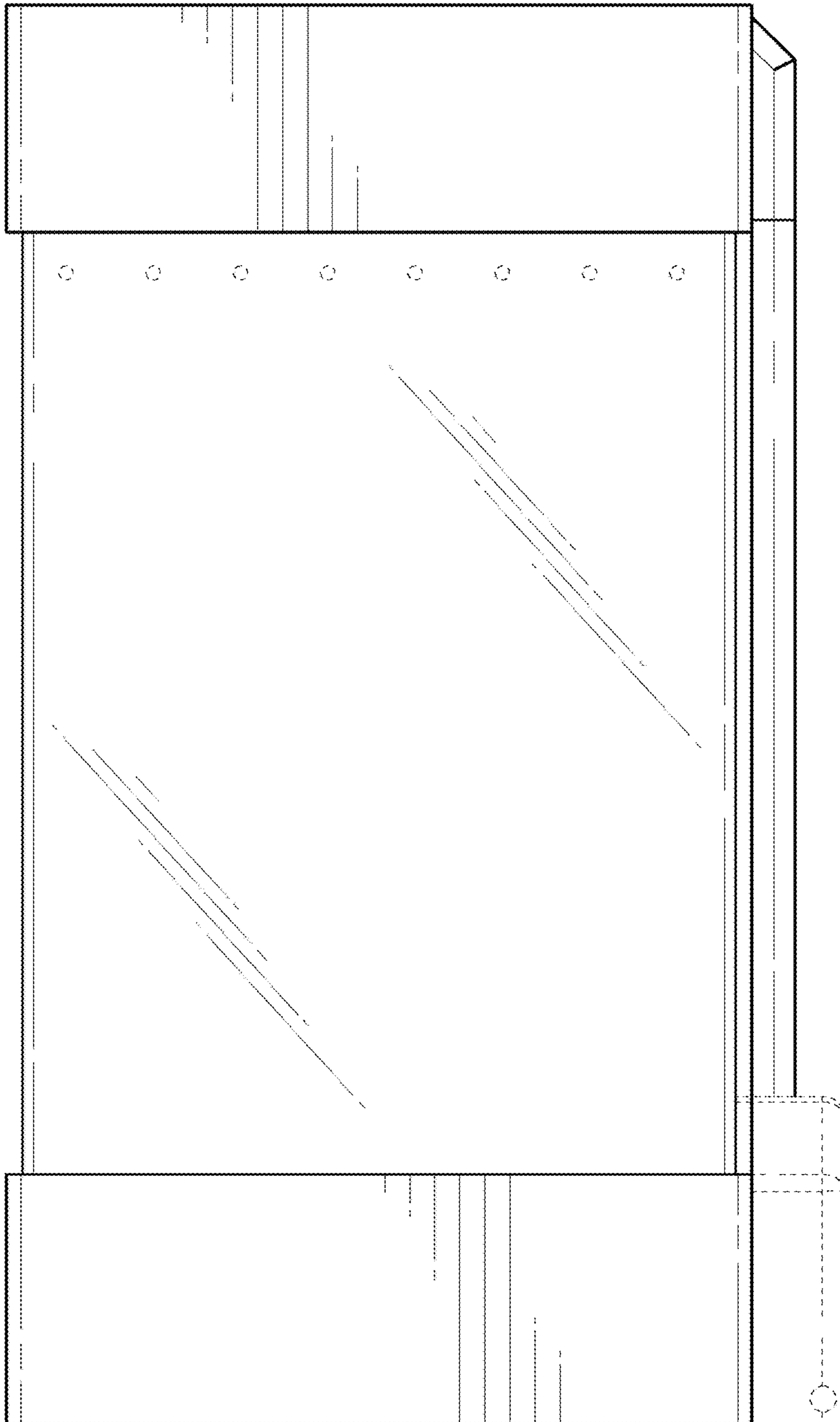


FIG. 6

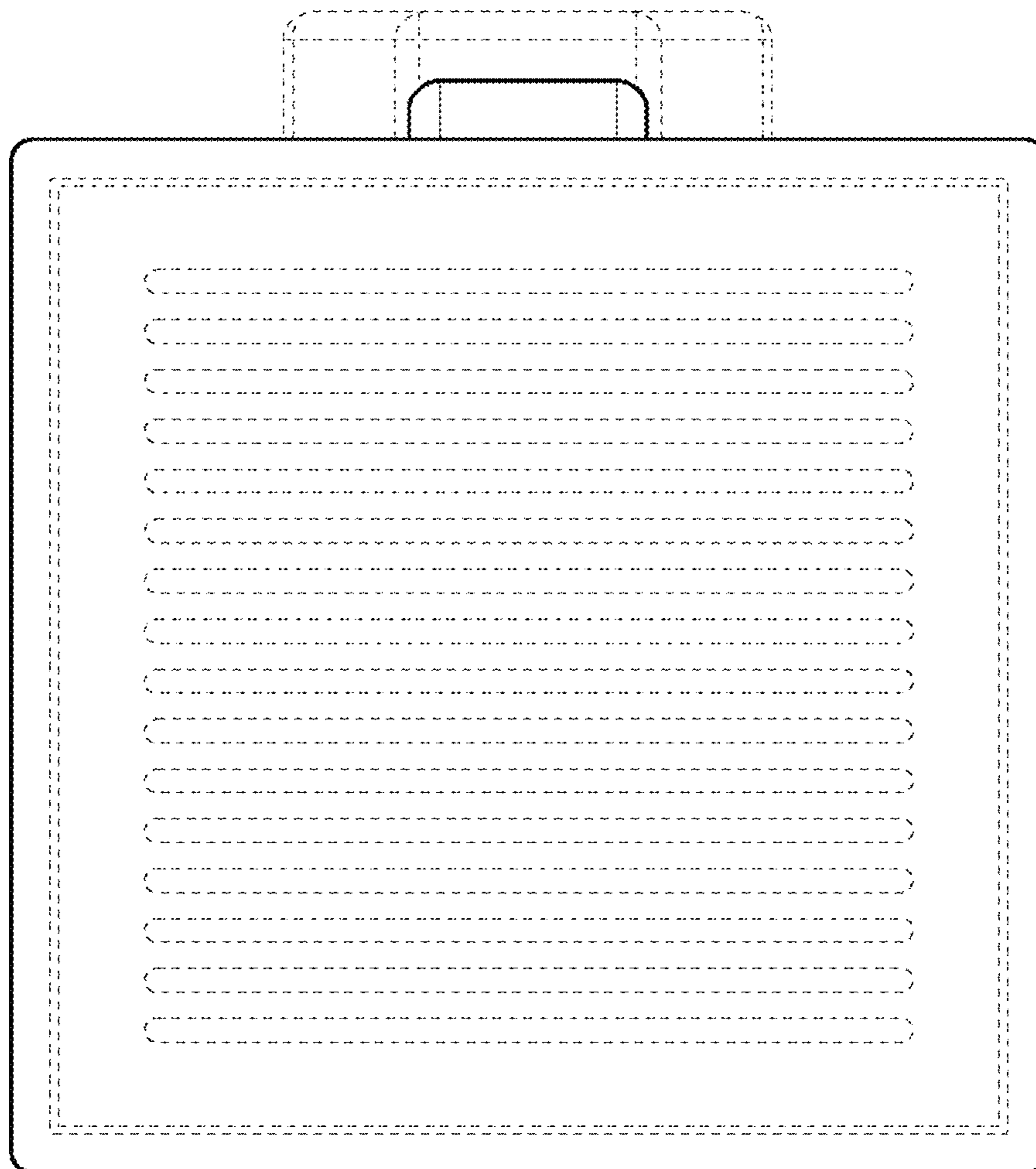


FIG. 7

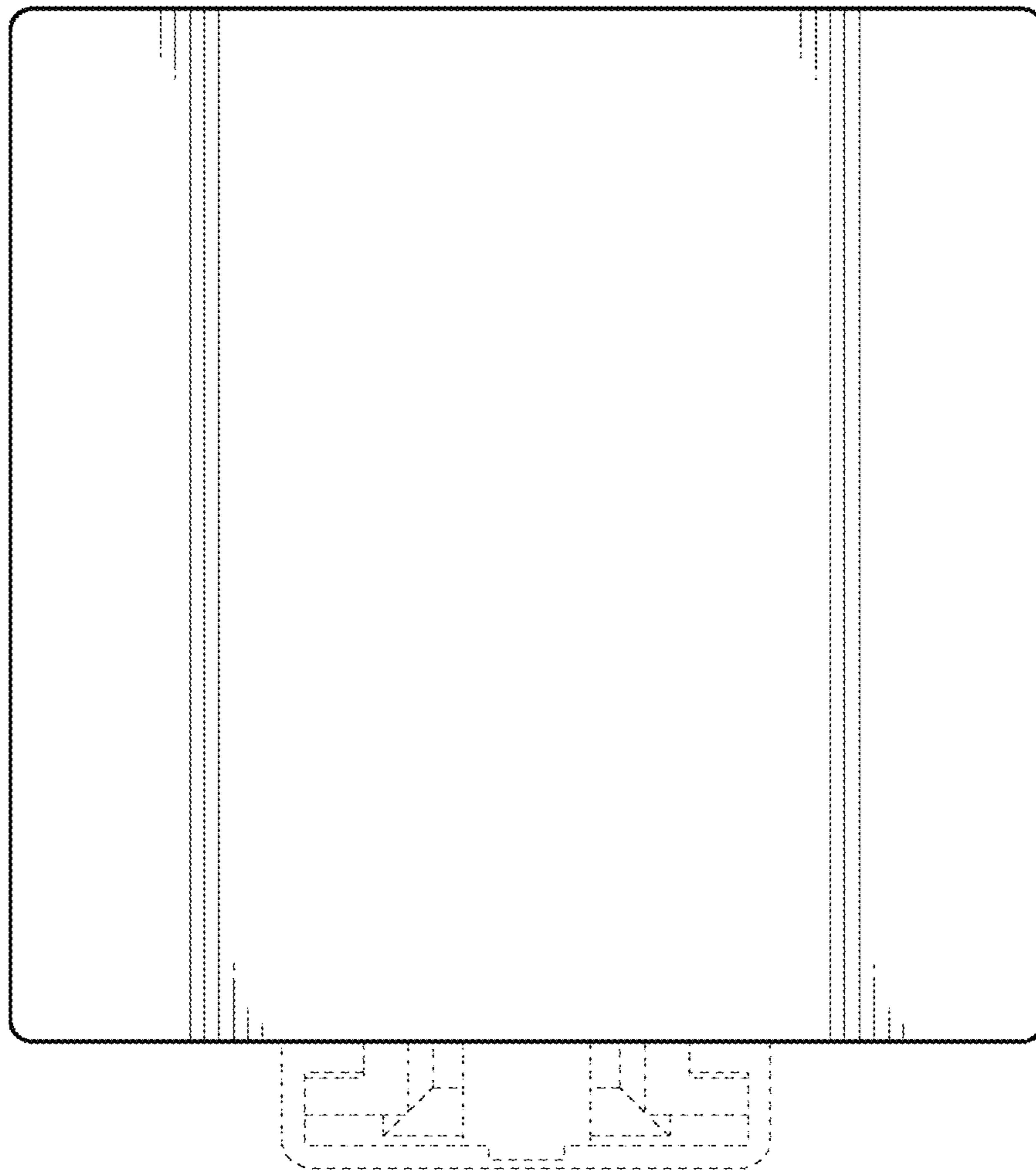


FIG. 8

