



US00D815976S

(12) **United States Design Patent** (10) **Patent No.:** **US D815,976 S**
Holland (45) **Date of Patent:** **** Apr. 24, 2018**

(54) **DECORATIVE PANEL WITH RECESS**
(71) Applicant: **Eric D. Holland**, Wimberley, TX (US)
(72) Inventor: **Eric D. Holland**, Wimberley, TX (US)
(**) Term: **15 Years**
(21) Appl. No.: **29/581,855**
(22) Filed: **Oct. 22, 2016**

(51) **LOC (11) Cl.** **11-02**
(52) **U.S. Cl.**

USPC **D11/132**

(58) **Field of Classification Search**
USPC D11/200, 202, 204, 206, 207, 210, 222,
D11/223, 238, 1, 40, 43, 44, 45, 47, 48,
D11/78.1, 79, 86, 89, 95-99, 108, 109,
D11/131, 132, 157, 164, 165, 168, 172,
D11/175, 178, 179, 184; D20/10, 11, 13,
D20/22, 23, 29, 36, 99; D99/27; 63/30,
63/33, 34; D6/334-336, 368, 374, 375,
D6/716, 716.1, 716.4
CPC .. A44C 1/00; A45C 1/04; A45C 13/06; A47C
4/02; A47C 4/03; A47C 4/04; A47C 4/08;
A47C 4/021; A47C 4/024; A47C 4/25;
A47C 4/27

See application file for complete search history.

(56) **References Cited**

U.S. PATENT DOCUMENTS

1,949,951 A 3/1934 Bozarth
D229,809 S * 1/1974 Snowden D25/157
3,996,679 A * 12/1976 Warneke A44C 3/001
40/1.5
4,202,581 A * 5/1980 Fleishman A47C 4/021
108/159
D294,319 S * 2/1988 Troup D6/716.4
D357,368 S * 4/1995 Pedersen D6/371
D360,786 S * 8/1995 Zapf D6/375
D365,938 S 1/1996 Gilborn et al.

5,588,709 A 12/1996 Lewallen, Sr.
D391,517 S * 3/1998 Gusky D11/81
D400,723 S 11/1998 Bergeson et al.
D414,016 S * 9/1999 Berglund D2/728
D457,740 S 5/2002 Rosa
D564,344 S * 3/2008 Nakazato D8/382
D602,808 S * 10/2009 Small D11/101
D652,764 S * 1/2012 Cadigan D11/157
D658,411 S * 5/2012 Lee D6/716.4
D712,673 S 9/2014 Block et al.
D751,453 S * 3/2016 Baltich D11/87

(Continued)

OTHER PUBLICATIONS

Flatstack Seating System (via Facebook.com), available Oct. 26, 2016, [online], [site visited Nov. 27, 2017]. Available from internet, <URL: https://www.facebook.com/pg/FlatstackSystems/photos/?ref=page_internal (Year: 2016).*

(Continued)

Primary Examiner — Cathron C Brooks
Assistant Examiner — W. A. Teddy Falloway
(74) *Attorney, Agent, or Firm* — Mark E. Scott;
Dickinson Wright PLLC

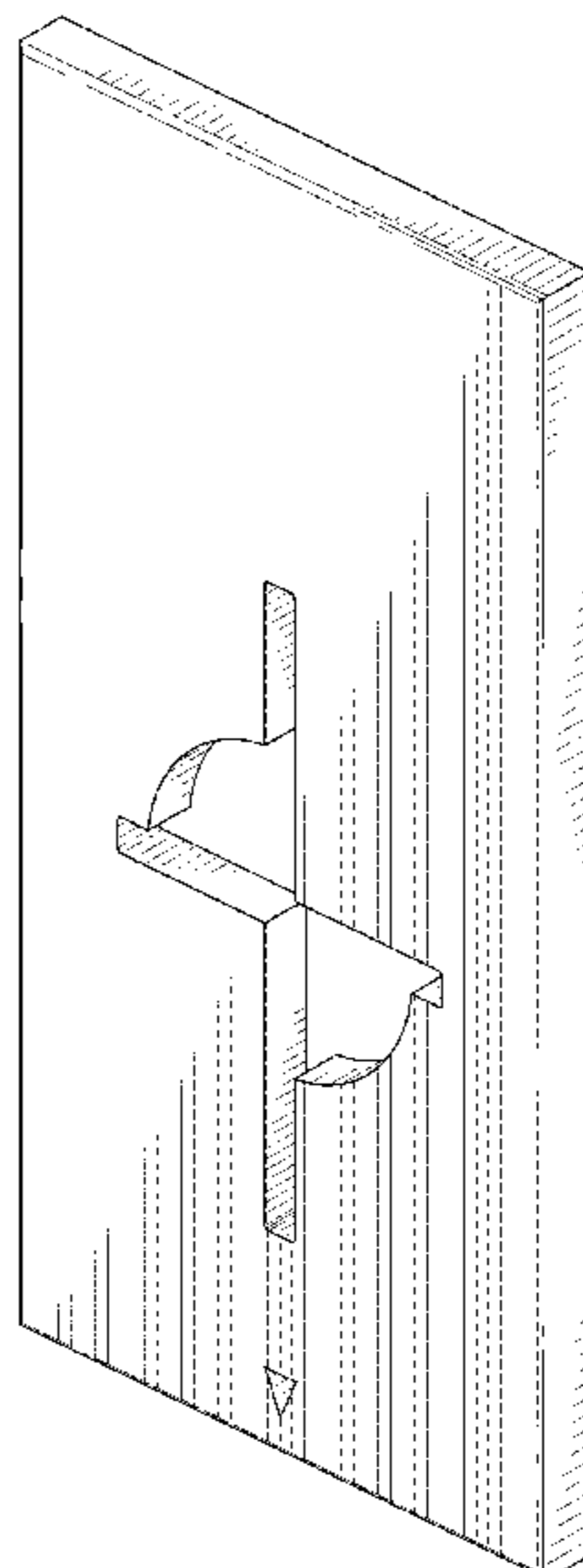
(57) **CLAIM**

The ornamental design for a decorative panel with recess, as shown and described.

DESCRIPTION

FIG. 1 is a perspective view of a decorative panel with recess showing my new design;
FIG. 2 is a front view thereof;
FIG. 3 is a back view thereof;
FIG. 4 is a side view thereof; and,
FIG. 5 is a bottom view thereof.
The second side view is identical to the first side view, and is therefore omitted. The top view is identical to the bottom view, and is therefore omitted.

1 Claim, 4 Drawing Sheets



(56)

References Cited

U.S. PATENT DOCUMENTS

D751,455 S * 3/2016 Bogetti D11/96
D757,591 S * 5/2016 Amfitheatrof D11/222
D770,324 S * 11/2016 Small D11/100
D803,595 S * 11/2017 Holland D6/368

OTHER PUBLICATIONS

Flatstack Portable Seating System, available Nov. 27, 2017, [online], [site visited Nov. 27, 2017]. Available from internet, <URL: <http://www.theflatstack.com/connect/> (Year: 2017).*

* cited by examiner

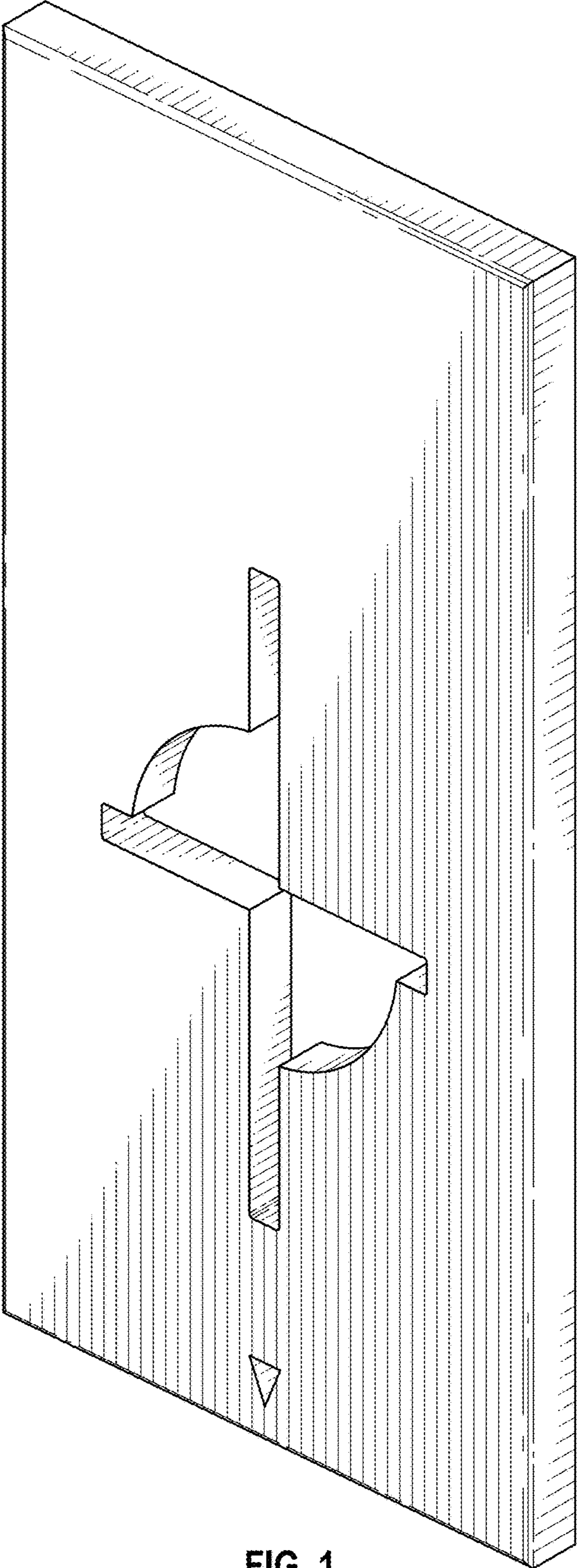


FIG. 1

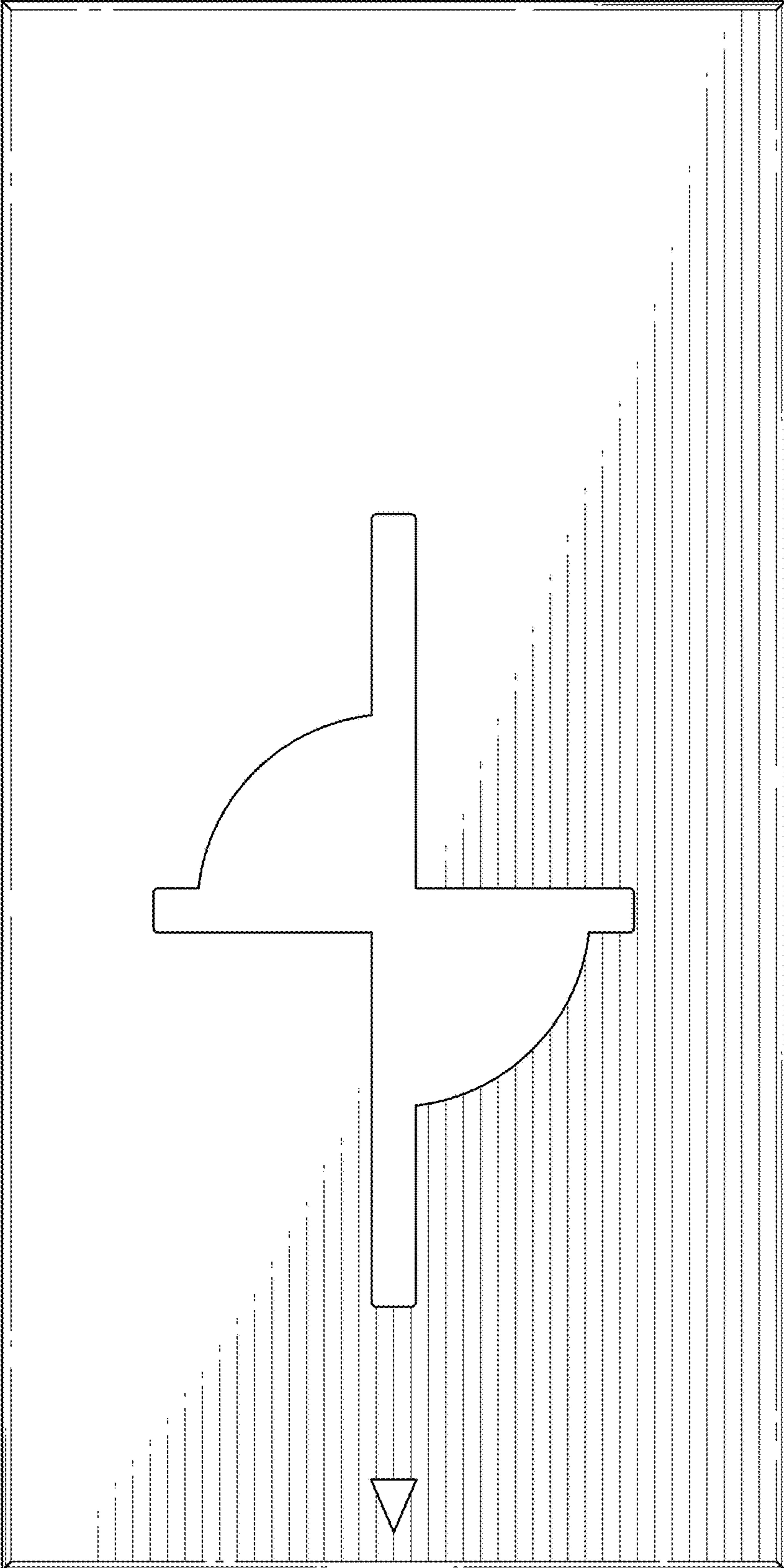


FIG. 2

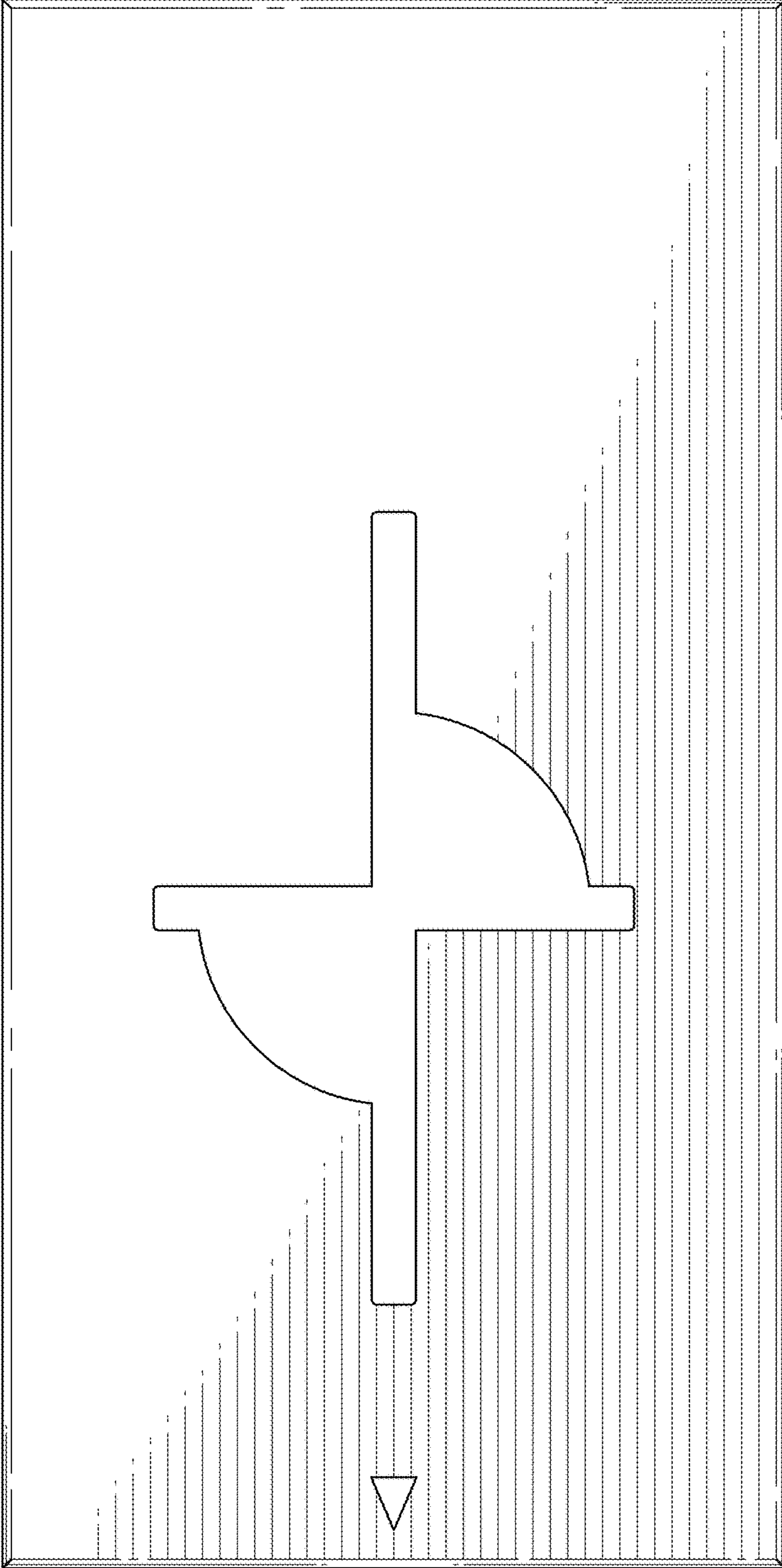


FIG. 3

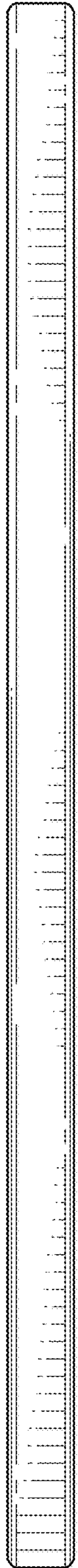


FIG. 4

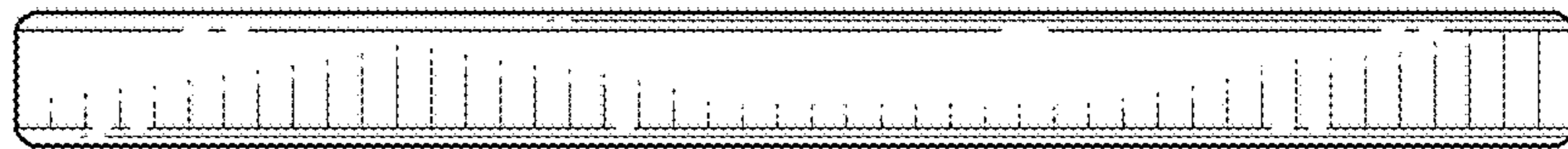


FIG. 5