



US00D815973S

(12) **United States Design Patent**
Coin

(10) **Patent No.:** **US D815,973 S**

(45) **Date of Patent:** **** Apr. 24, 2018**

(54) **ARTICLE OF JEWELRY**

(71) Applicant: **ROBERTO COIN S.p.A.**, Vicenza (IT)

(72) Inventor: **Roberto Coin**, Vicenza (IT)

(73) Assignee: **ROBERTO COIN S.P.A.** (IT)

(**) Term: **15 Years**

(21) Appl. No.: **29/533,237**

(22) Filed: **Jul. 15, 2015**

(30) **Foreign Application Priority Data**

Jan. 16, 2015 (EM) 002615526

(51) **LOC (11) Cl.** **11-01**

(52) **U.S. Cl.**
USPC **D11/5; D11/28**

(58) **Field of Classification Search**
USPC D11/1-39, 79-86
CPC A44C 1/00; A44C 5/0007; A44C 5/0015;
A44C 5/0023; A44C 5/003; A44C
5/0038; A44C 5/0046; A44C 5/0053;
A44C 5/0084; A44C 5/12; A44C 7/00;
A44C 7/002; A44C 9/00; A44C 9/0007;
A44C 9/0015; A44C 9/0023; A44C
9/003; A44C 9/0038; A44C 9/0046; A44C
9/0053; A44C 9/0061; A44C 9/0069;
A44C 9/0076; A44C 15/003; A44C
15/005; A44C 15/0055; A44C 25/00;
A44C 25/001; A44C 25/002; A44C
25/004; A44C 25/007

See application file for complete search history.

(56) **References Cited**

U.S. PATENT DOCUMENTS

D190,753 S * 6/1961 Brauchi D11/5
D237,816 S * 11/1975 Bulgari et al. D11/27
D260,620 S * 9/1981 Blum D11/3
5,188,679 A * 2/1993 Kretchmer A44C 9/00
148/538

D338,629 S * 8/1993 Bulgari D11/29
D435,228 S * 12/2000 Hegarty D11/27
D445,715 S * 7/2001 Haquet D11/5
D535,209 S * 1/2007 Arlanda D11/27
D606,894 S * 12/2009 Bulgari D11/5

(Continued)

OTHER PUBLICATIONS

[Online] <https://images.prod.meredith.com/product/44b6bd1dabd646eb0792639caab431fa/1492662438024/1/roberto-coin-18k-yellow-gold-pois-moi-chiodo-bangle-100-percent-exclusive>. Retrieved Nov. 22, 2017.*

(Continued)

Primary Examiner — Melanie Pellegrini

(74) *Attorney, Agent, or Firm* — The Belles Group, P.C.

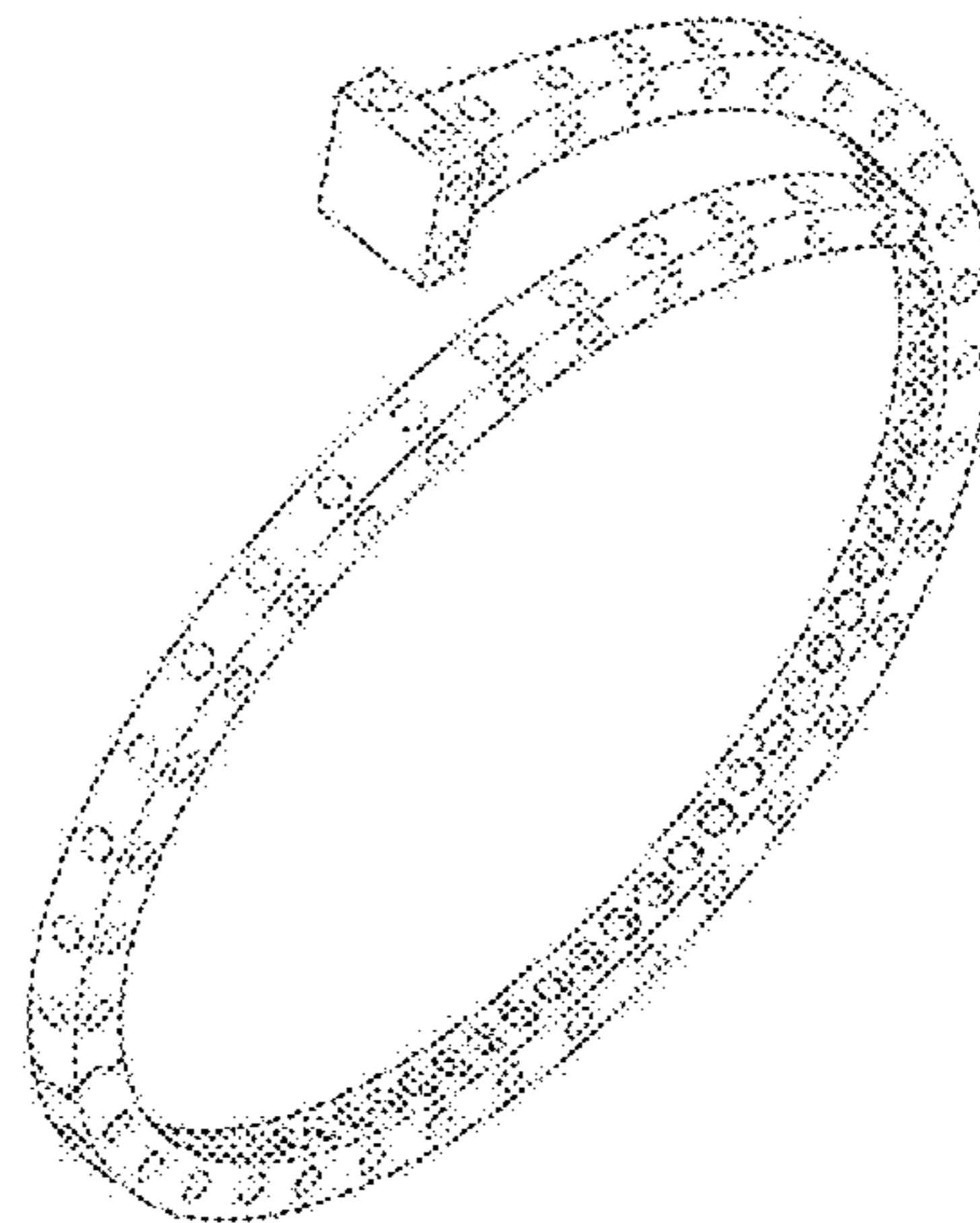
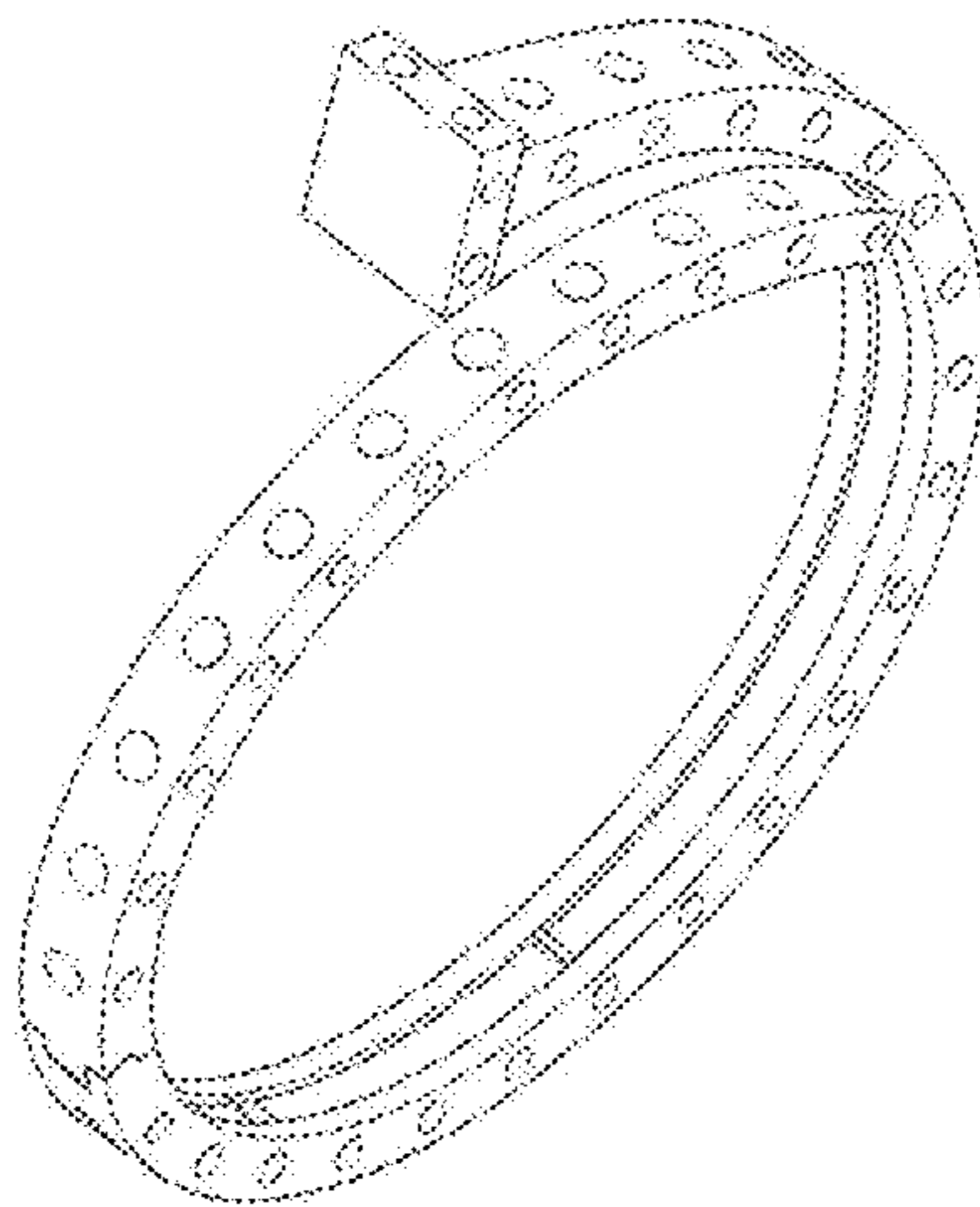
(57) **CLAIM**

I claim the ornamental design for an article of jewelry, as shown and described.

DESCRIPTION

FIG. 1 is a front perspective view of an article of jewelry in accordance with a first embodiment of the present invention; FIG. 2 is a right-side view thereof; FIG. 3 is a left-side view thereof; FIG. 4 is a rear view thereof; FIG. 5 is a front view thereof; FIG. 6 is a top view thereof; FIG. 7 is a bottom view thereof; FIG. 8 is a front perspective view of an article of jewelry in accordance with a second embodiment of the present invention; FIG. 9 is a right-side view thereof; FIG. 10 is a left-side view thereof; FIG. 11 is a rear view thereof; FIG. 12 is a front view thereof; FIG. 13 is a top view thereof; and, FIG. 14 is a bottom view thereof.

1 Claim, 14 Drawing Sheets



(56)

References Cited

U.S. PATENT DOCUMENTS

D653,149 S * 1/2012 Behar D11/5
D722,519 S * 2/2015 Marchand D11/44
D722,520 S * 2/2015 Marchand D11/44
D788,628 S * 6/2017 Marchand D11/5
D788,629 S * 6/2017 Marchand D11/5

OTHER PUBLICATIONS

[Online] <https://us.robertocoin.com/wp-content/uploads/2016/08/Roberto-Coin-18k-yellow-gold-18k-white-gold-Wide-Chiodo-Bangle-with-Diamonds-8882066AJBAX.png>. Retrieved Nov. 22, 2017.*

* cited by examiner

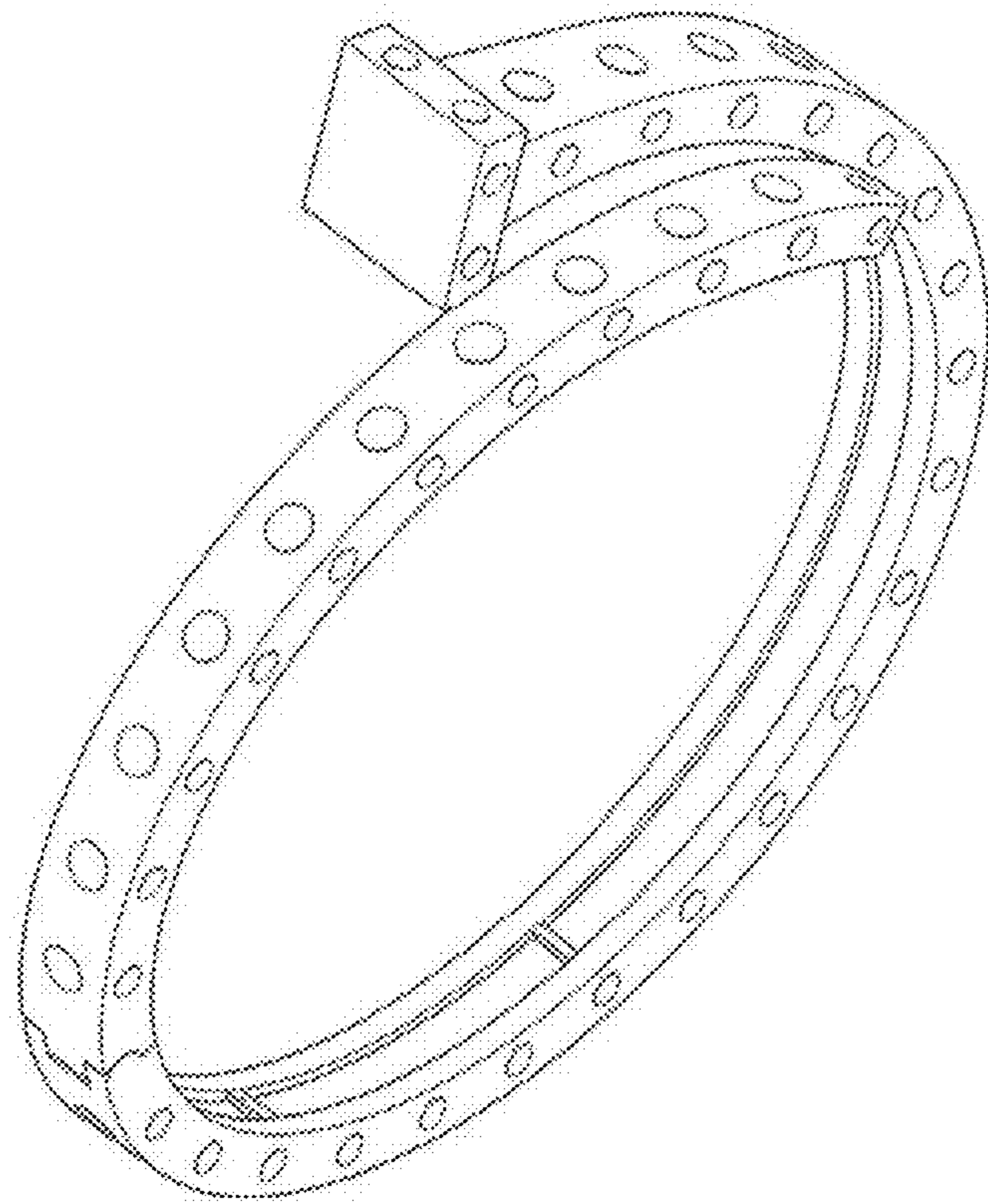


FIG. 1

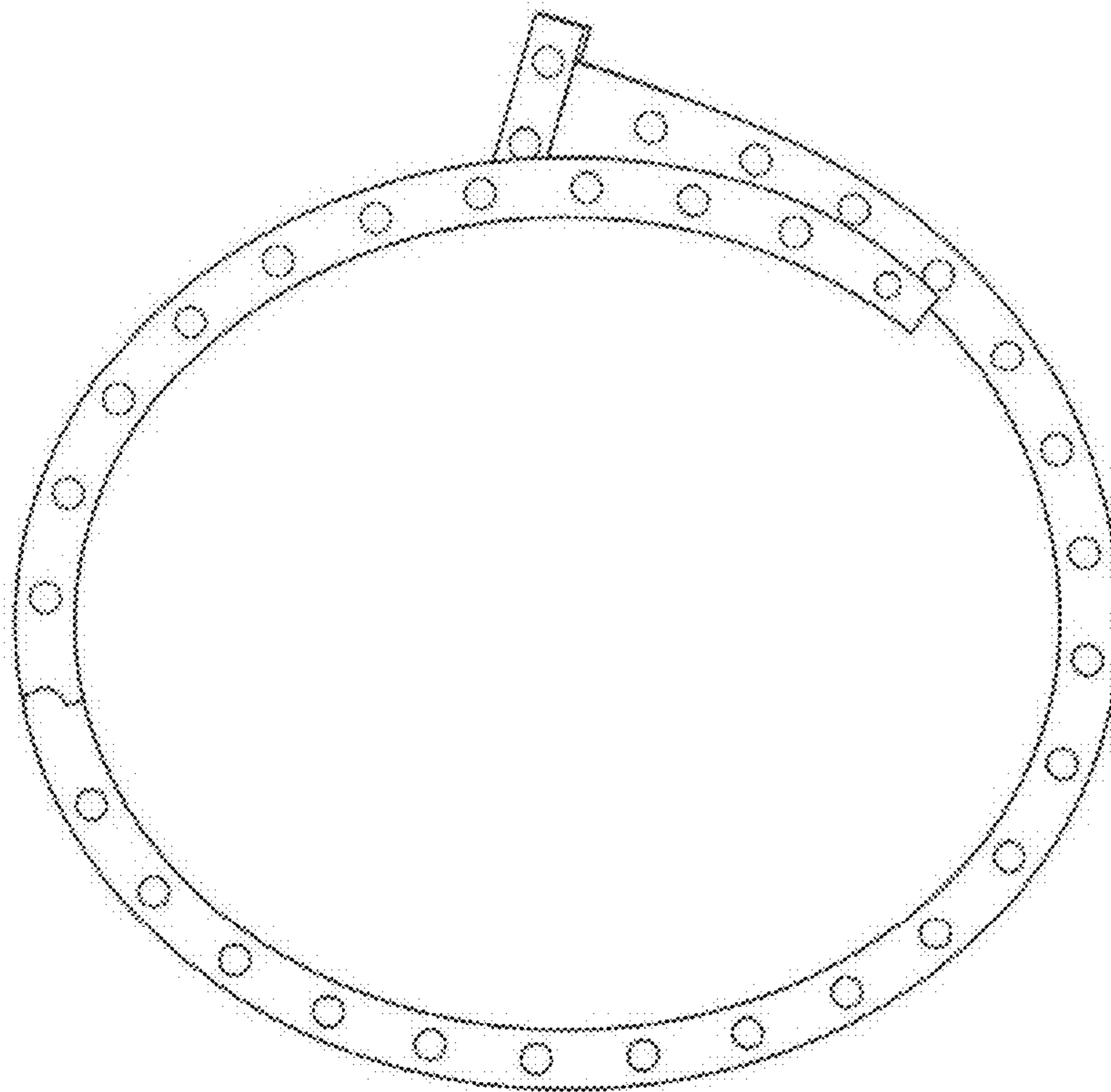


FIG. 2

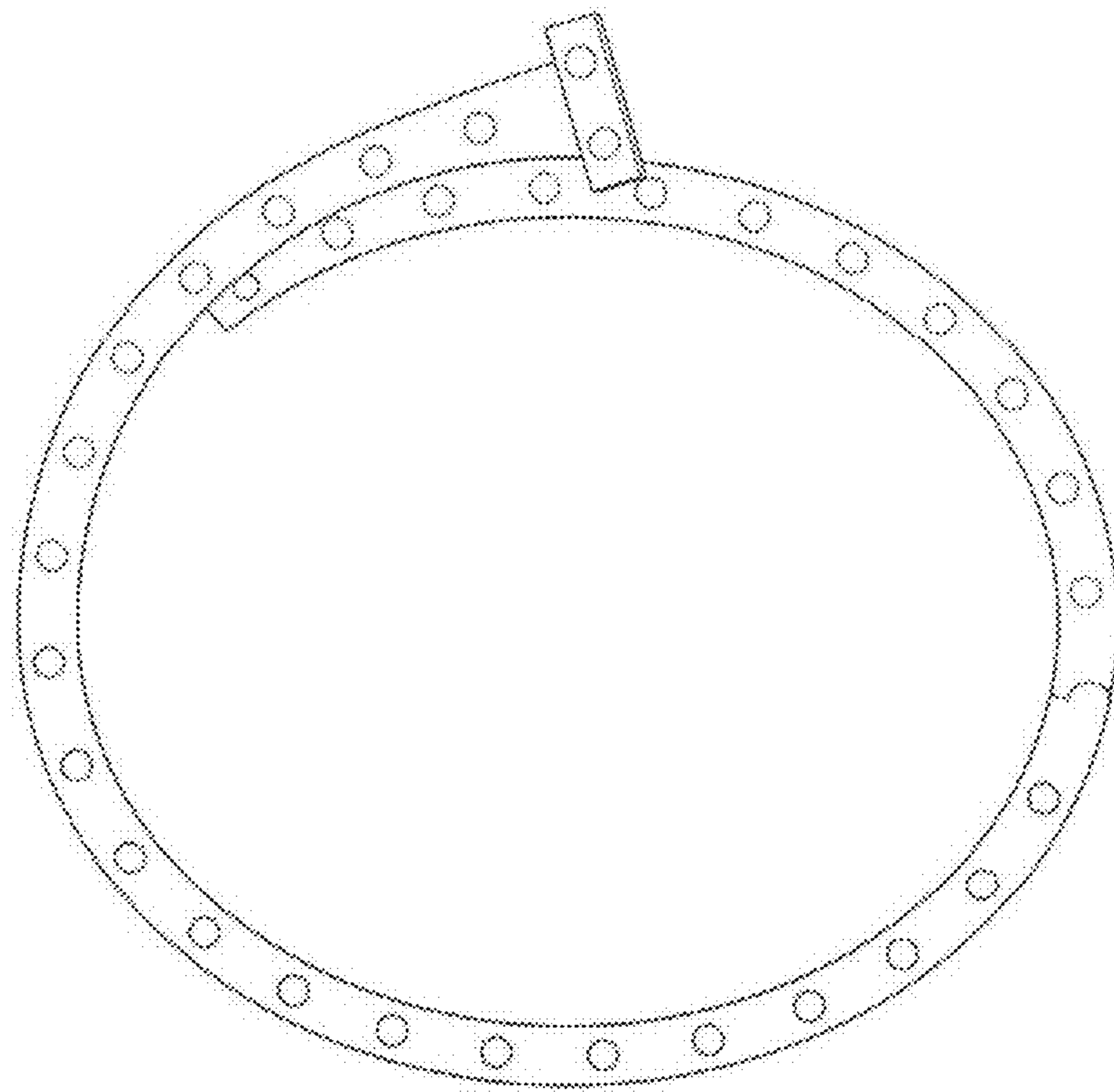


FIG. 3

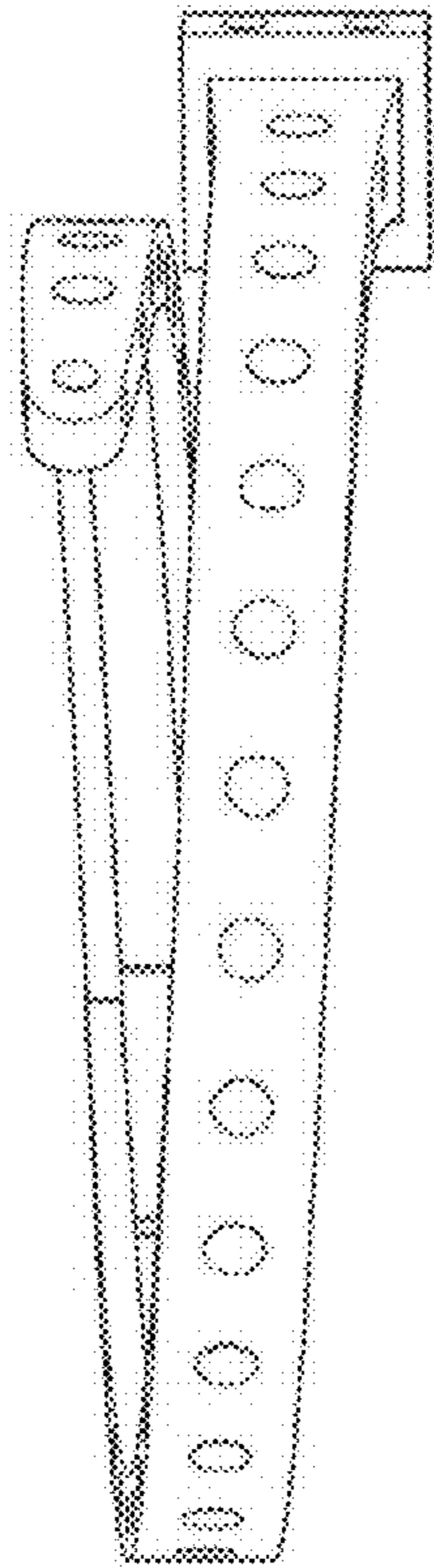


FIG. 4

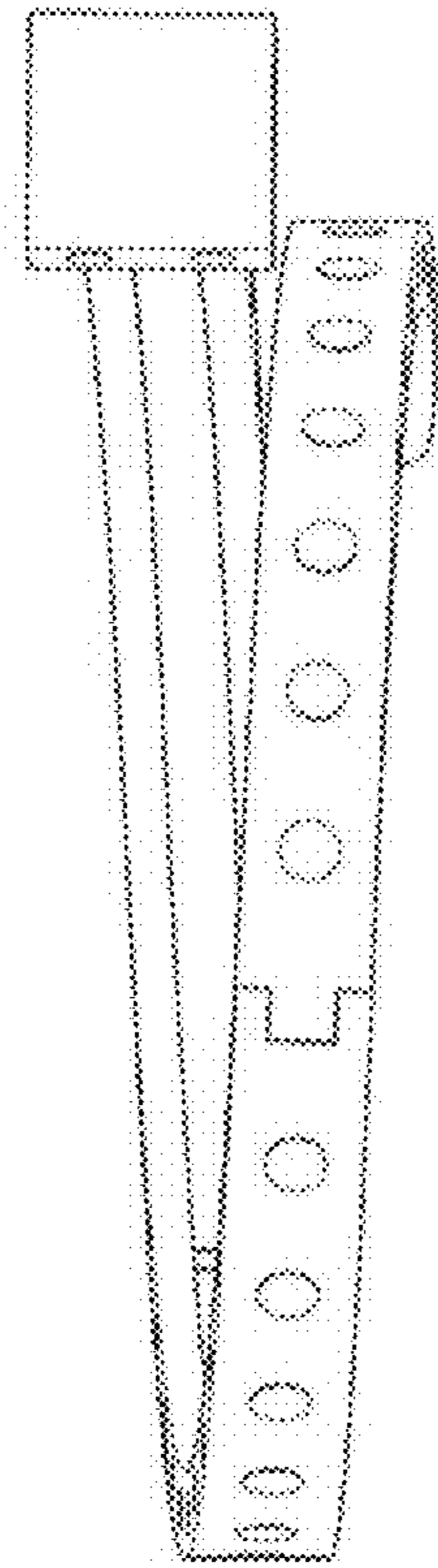


FIG. 5

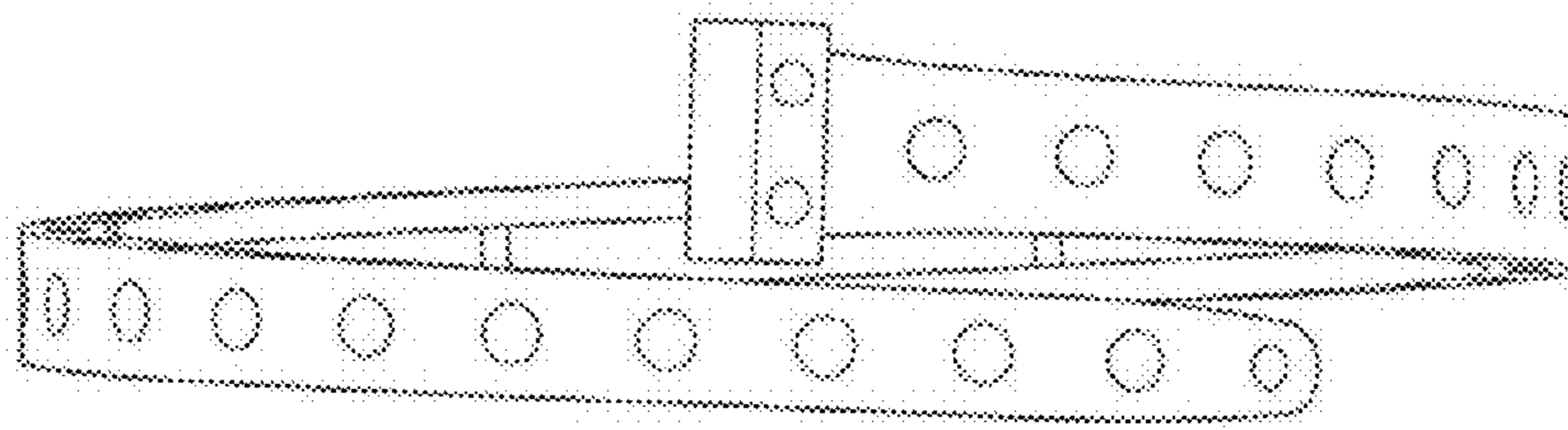


FIG. 6

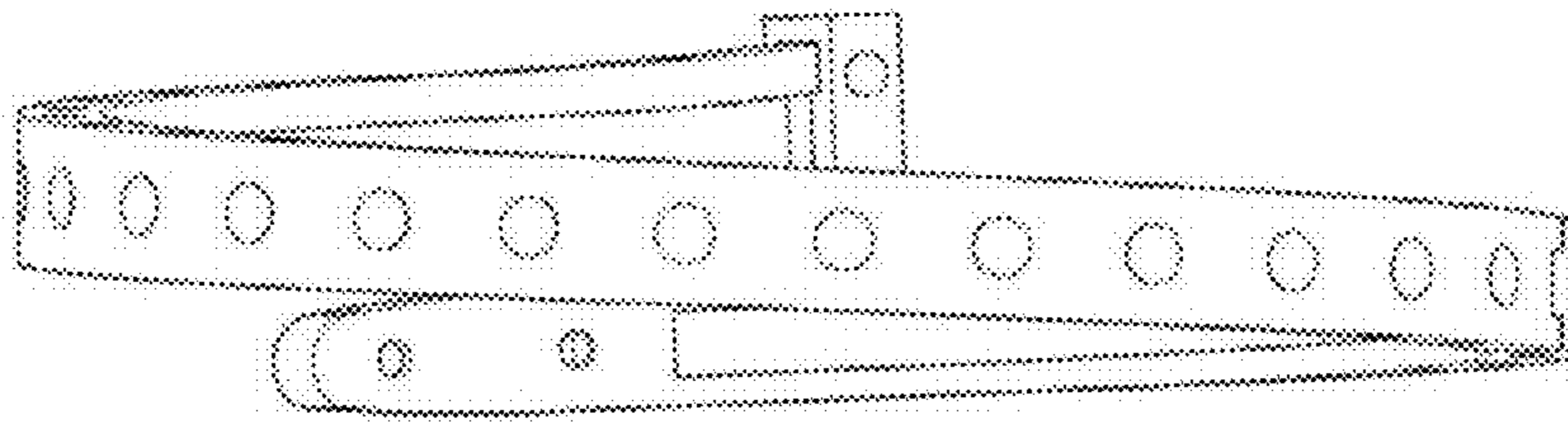


FIG. 7

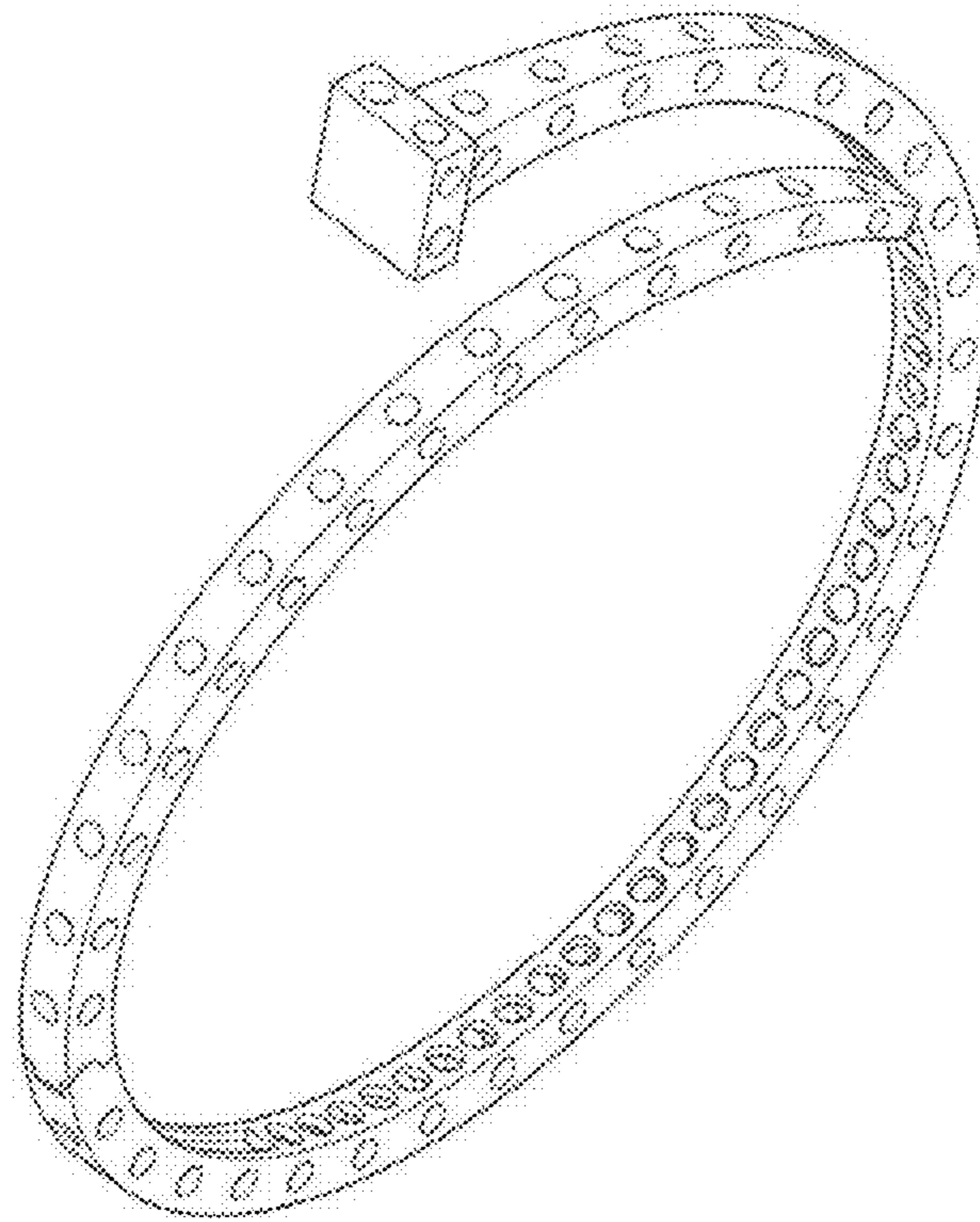


FIG. 8

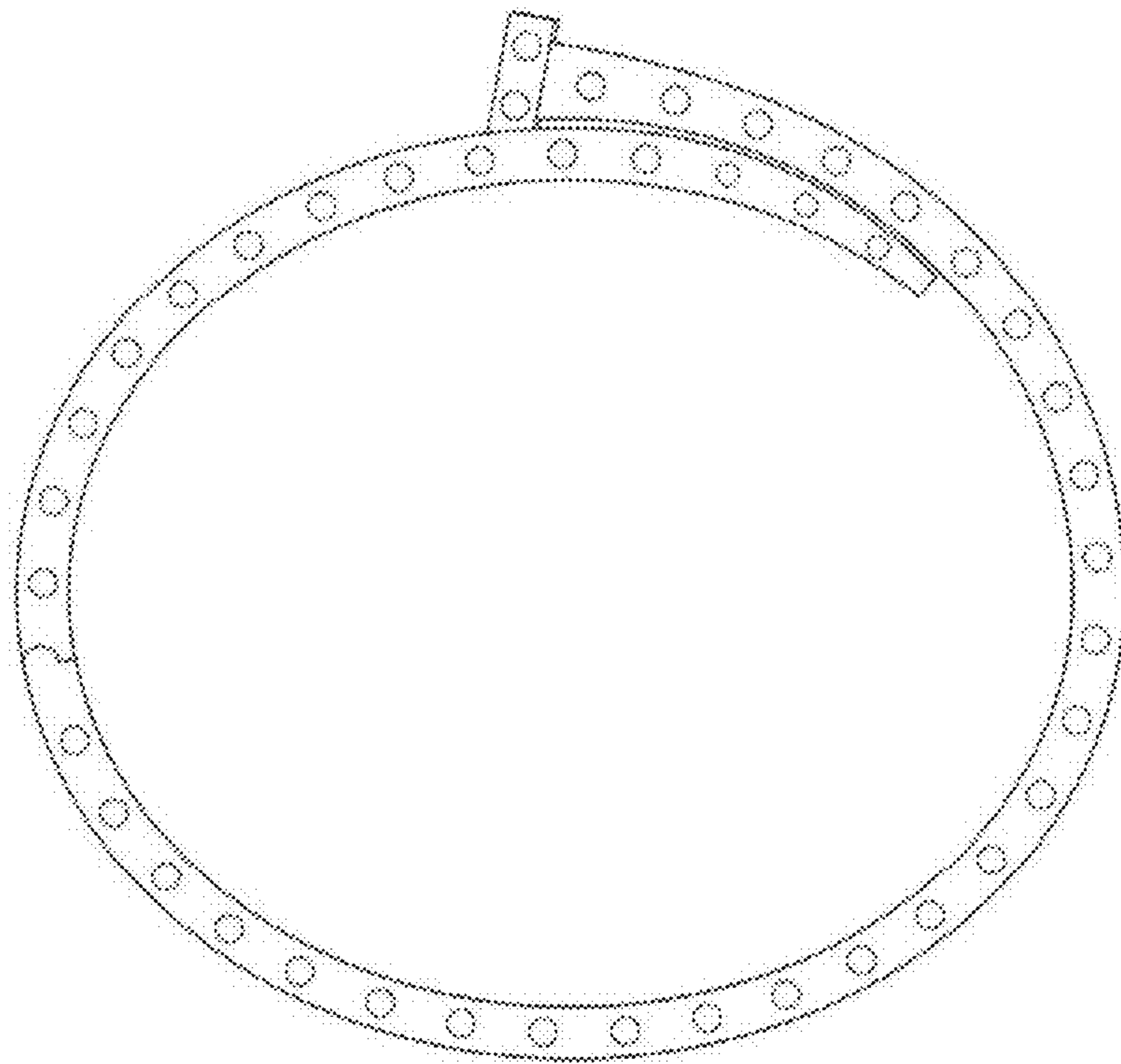


FIG. 9

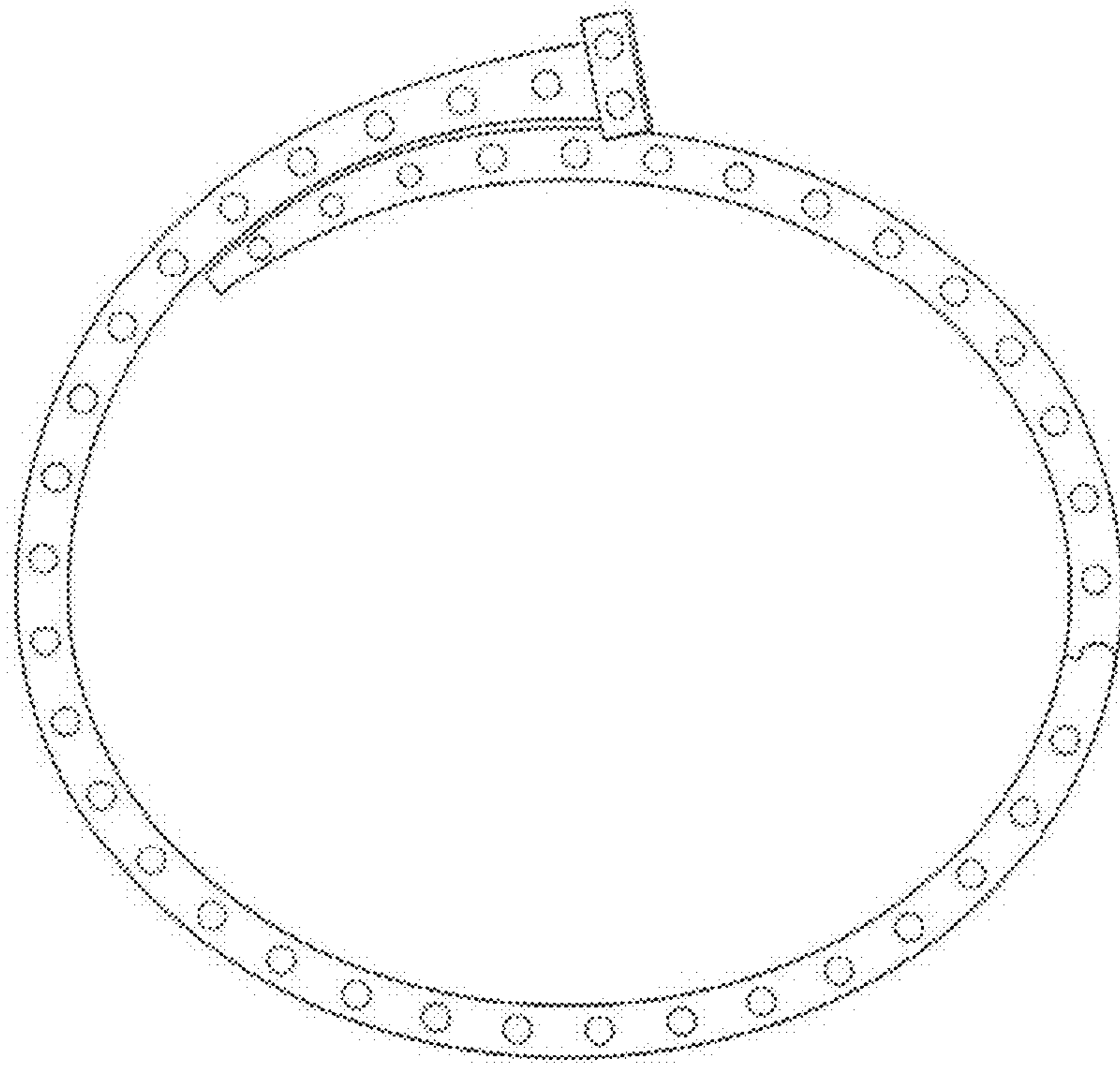


FIG. 10

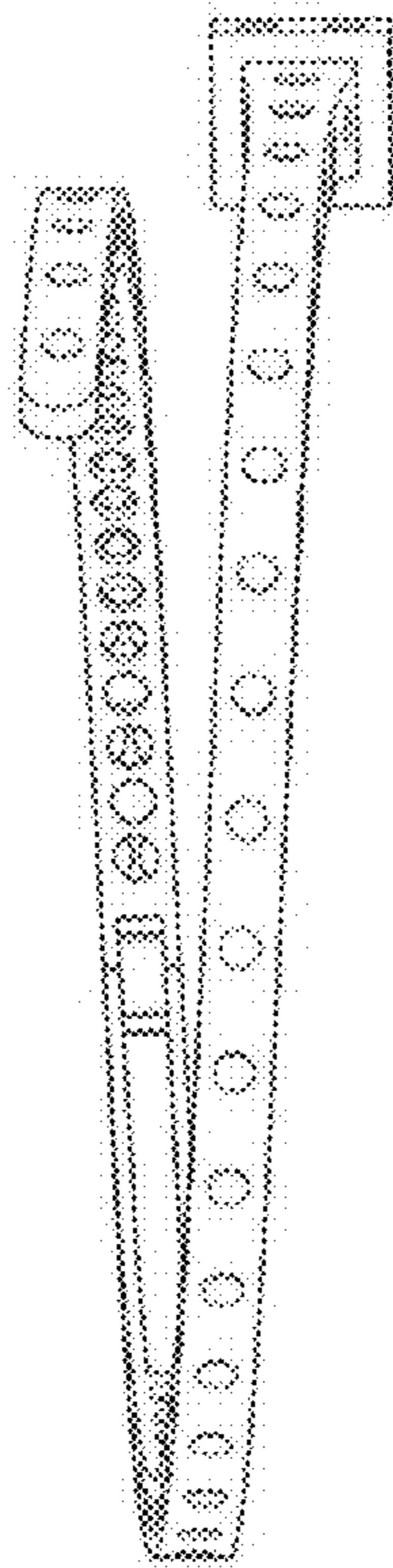


FIG. 11

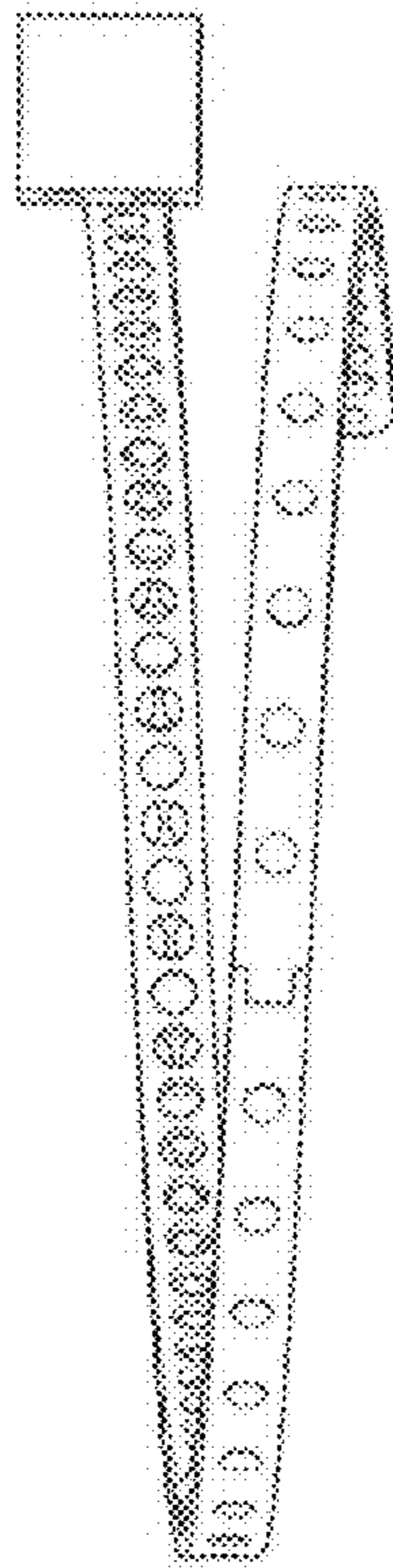


FIG. 12

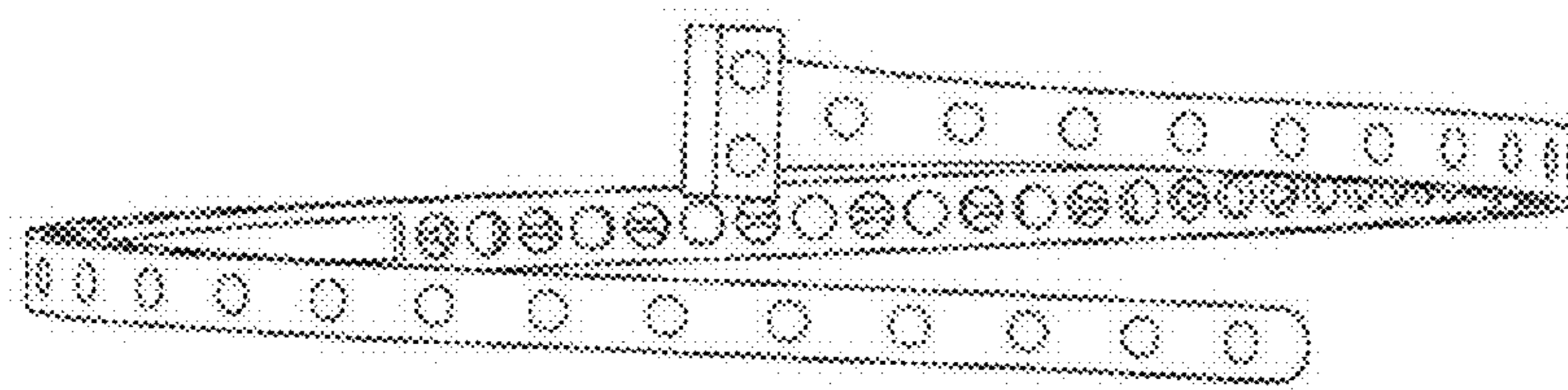


FIG. 13

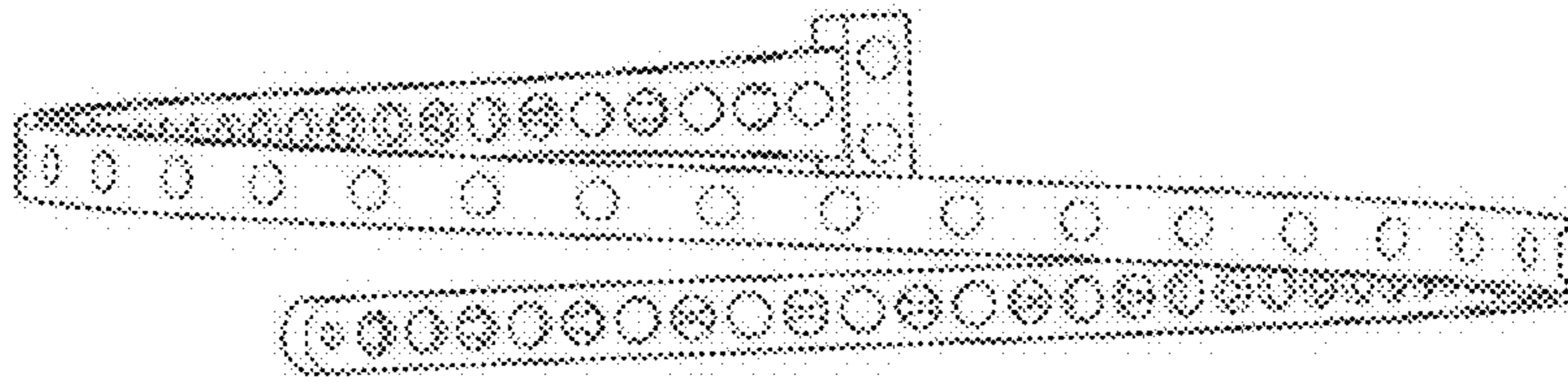


FIG. 14