



US00D815972S

(12) **United States Design Patent** (10) **Patent No.:** **US D815,972 S**
Akana et al. (45) **Date of Patent:** **** Apr. 24, 2018**

(54) **BAND**

(71) Applicant: **Apple Inc.**, Cupertino, CA (US)

(72) Inventors: **Jody Akana**, San Francisco, CA (US); **Bartley K. Andre**, Palo Alto, CA (US); **Shota Aoyagi**, San Francisco, CA (US); **Anthony Michael Ashcroft**, San Francisco, CA (US); **Jeremy Bataillou**, San Francisco, CA (US); **Daniel J. Coster**, San Francisco, CA (US); **Daniele De Iuliis**, San Francisco, CA (US); **M. Evans Hankey**, San Francisco, CA (US); **Julian Hoenig**, San Francisco, CA (US); **Richard P. Howarth**, San Francisco, CA (US); **Jonathan P. Ive**, San Francisco, CA (US); **Duncan Robert Kerr**, San Francisco, CA (US); **Marc A. Newson**, London (GB); **Matthew Dean Rohrbach**, San Francisco, CA (US); **Peter Russell-Clarke**, San Francisco, CA (US); **Benjamin Andrew Shaffer**, San Jose, CA (US); **Mikael Silvano**, San Francisco, CA (US); **Christopher J. Stringer**, Woodside, CA (US); **Eugene Antony Whang**, San Francisco, CA (US); **Rico Zörkendörfer**, San Francisco, CA (US)

(73) Assignee: **Apple Inc.**, Cupertino, CA (US)

(**) Term: **15 Years**

(21) Appl. No.: **29/574,644**

(22) Filed: **Aug. 17, 2016**

Related U.S. Application Data

(63) Continuation of application No. 29/519,388, filed on Mar. 4, 2015, now Pat. No. Des. 764,341, which is a continuation of application No. 29/499,052, filed on Aug. 11, 2014, now Pat. No. Des. 739,780.

(51) **LOC (11) Cl.** **11-01**

(52) **U.S. Cl.**

USPC **D11/3**

(58) **Field of Classification Search**

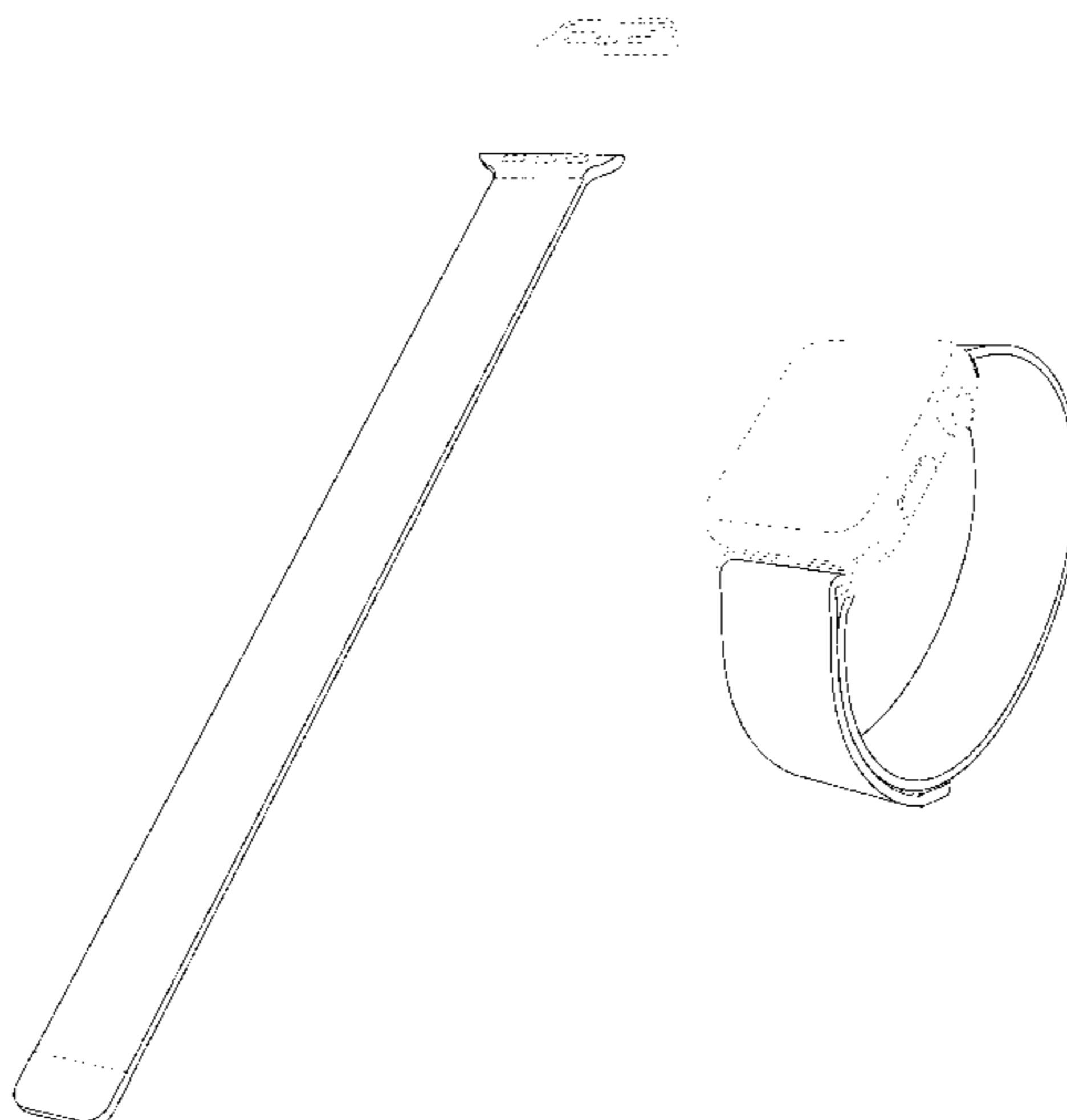
USPC D11/1-25, 86, 87, 93, 94, 234, 235, 231;
D10/30-39, 70, 46; 368/282, 285;
600/301; 224/164, 175
CPC G04B 37/1486; G04B 37/16; G04B 37/18;
A44C 5/14; A44C 5/0053; A44C 5/0069;
A44C 5/0076; A44C 5/00; A44C 5/0007;
A44C 5/0015; A44C 5/0023; A44C
5/003; A44C 5/0061; A44C 5/12; A44C
5/147; A44C 5/18; A44C 5/185; A44C
5/2047; A44C 5/2052; A44B 11/006;
A44B 11/24

See application file for complete search history.

(56) **References Cited**

U.S. PATENT DOCUMENTS

296,505 A	4/1884	Babbitt	
851,288 A	4/1907	Hodges	
1,962,037 A	6/1934	Schofer	
2,451,749 A	10/1948	Kreisler	
2,451,750 A	10/1948	Kreisler et al.	
2,498,211 A	2/1950	Kreisler	
3,030,686 A	4/1962	Burkhardt	
3,665,565 A	5/1972	Kruger	
3,675,284 A	7/1972	Rieth	
4,627,231 A	12/1986	Kiuchi	
D297,123 S	8/1988	Kabaya	
5,201,789 A	4/1993	Fontana	
D343,584 S	1/1994	Olmes et al.	
5,363,351 A	11/1994	Carney	
D356,957 S	4/1995	Burgener	
D390,492 S	2/1998	Riley	
D438,812 S	3/2001	Bert	
D459,238 S	6/2002	Wunderman	
D473,818 S	4/2003	Salvisberg	
D494,098 S	8/2004	Cohen	
D534,821 S	1/2007	Chen	
7,406,789 B2	8/2008	Story	
D588,487 S	3/2009	Hartzband	
D599,680 S	9/2009	Schoepfer	
7,591,581 B2	9/2009	Lovegrove et al.	
D603,724 S	11/2009	Jorst et al.	
D612,748 S	3/2010	Jorst et al.	
D637,918 S *	5/2011	Cobbett	D10/31
D645,360 S *	9/2011	Kiser	D10/32
D655,497 S	3/2012	Stanley	



8,328,073	B1	12/2012	Smith et al.	
8,601,784	B2	12/2013	Kaltenrieder	
D718,170	S	11/2014	Aumiller et al.	
8,960,510	B2*	2/2015	Bertucci	A44C 5/0053 224/164
D724,469	S	3/2015	Akana et al.	
D724,556	S *	3/2015	Choi	D10/32
D727,197	S	4/2015	Akana et al.	
D727,198	S	4/2015	Akana et al.	
D727,199	S	4/2015	Akana et al.	
D727,787	S	4/2015	Akana et al.	
D728,405	S	5/2015	Potts et al.	
D729,667	S *	5/2015	Nuovo	D10/103
D729,674	S	5/2015	Behar	
D729,675	S	5/2015	Behar	
D731,346	S	6/2015	Akana et al.	
D731,482	S *	6/2015	Song	D14/344
D737,156	S	8/2015	Akana et al.	
D737,157	S	8/2015	Akana et al.	
D737,158	S	8/2015	Akana et al.	
D737,159	S	8/2015	Akana et al.	
D739,780	S	9/2015	Akana et al.	
D740,150	S	10/2015	Howsam	
D744,356	S	12/2015	Akana et al.	
D745,421	S	12/2015	Akana et al.	
D746,707	S	1/2016	Akana et al.	
D747,997	S	1/2016	Akana et al.	
D748,008	S	1/2016	Akana et al.	
D748,009	S	1/2016	Akana et al.	
D748,010	S	1/2016	Akana et al.	
D748,527	S	2/2016	Akana et al.	
D748,997	S *	2/2016	Block	D10/32
D749,009	S	2/2016	Akana et al.	
D749,460	S	2/2016	Akana et al.	
D751,070	S	3/2016	Akana et al.	
D754,548	S *	4/2016	Block	D10/32
D755,070	S *	5/2016	Akana	D11/5
D756,357	S	5/2016	Akana et al.	
D756,825	S *	5/2016	Akana	D10/103
D757,722	S *	5/2016	Akana	D10/31
D759,725	S	6/2016	Akana et al.	
D764,340	S *	8/2016	Akana	D11/3
D764,341	S *	8/2016	Akana	D11/3
D779,993	S *	2/2017	Akana	D11/3
D784,831	S *	4/2017	Akana	D10/38
D786,127	S *	5/2017	Akana	D11/94
D795,121	S *	8/2017	Akana	D11/3
2014/0096345	A1	4/2014	Tschumi	
2014/0098649	A1	4/2014	Tschumi	

FOREIGN PATENT DOCUMENTS

EP	2636328	A1	9/2013
GB	618917	A	3/1949
GB	2082277		6/1999
GB	3005267		8/2002
JP	D1058152		1/2000
JP	D1074246		6/2000
JP	D1124844		10/2001
JP	D1158470		11/2002
JP	D1263841		2/2006
JP	D1320355		1/2008
WO	DM/047140-001		5/1999
WO	DM/048231-004		8/1999
WO	DM/049512-006		12/1999
WO	DM/058718-003		3/2002
WO	DM/064910-005		3/2004
WO	DM/068702-001		9/2007
WO	DM/076656-001		9/2011
WO	DM/080373-001		3/2013
WO	DM/080997-001		6/2013
WO	2013182397	A1	12/2013

OTHER PUBLICATIONS

U.S. Appl. No. 29/499,081, filed Aug. 11, 2014; Akana et al.
 U.S. Appl. No. 29/499,082, filed Aug. 11, 2014; Akana et al.
 U.S. Appl. No. 29/499,090, filed Aug. 11, 2014; Akana et al.
 U.S. Appl. No. 29/501,624, filed Sep. 5, 2014; Akana et al.
 U.S. Appl. No. 29/501,772, filed Sep. 8, 2014; Akana et al.
 U.S. Appl. No. 29/532,117, filed Jul. 1, 2015; Akana et al.
 22mm Interlocking Stainless Steel Mesh Divers Watch Band Bracelet, XX, , accessed on Dec. 4, 2014.
 28mm Reform Stainless Steel “Shark” Polished Mesh Watch Band Deployant Strap, , accessed Dec. 4, 2014.
 Adams, Ariel, “Max Bill by Junghans Watches for 2010,” A Blog to Watch.com, , dated Mar. 25, 2010.
 Fitbit, “Fitbit Surge™ Fitness Super Watch”, accessed Dec. 15, 2014.
 Hadley Roma, Hadley-Roma Men’s MB3836RWSE 20 20-mm Stainless Steel Heavy Mesh Watch Strap, accessed Dec. 4, 2014.
 Haedges, “1 Set Silver End Cap Clasp—Findings Large Toggle Clasp End Caps Buckle Connector with Five Inside Loops for Jewelry Making 26mm,” Listed on Aug. 29, 2014, accessed Oct. 9, 2014.
 Homego, “M6 Silver Smart Watch Cell Phone 1.54 inch Bluetooth 3.0 Dialer Outdoor Sports Pedometer,” amazon.com , , accessed Dec. 15, 2014.
 [Online] https://lh6.googleusercontent.com/zOUR6N5g8fIH1ouyyCpl7PGTLCMG1_hor1fADdMLMKdw-xkbhVSU1zk-xdirsUk-KxTsHxN_In6WDNHZLo8HNhjG-B7GWEXqtMA5bngmvH_MByEitDmuAc0TuFk86vYCArcw. Retrieved Feb. 17, 2015.
 [Online] https://s.yimg.com/cd/resizer/2.0/FIT_TO_WIDTH-w500/8088fe4930fb9d97123f776d1cdcb7ca585d7485.jpg. Retrieved Feb. 17, 2015.
 Ruano, L., “Ikepod Solaris Watch by Marc Newson,” Hypebeast.com, , dated Jan. 12, 2009.
 Samsung, “Samsung Gear™ 2 Charcoal Black SM-R3800VSAXAR,” accessed Dec. 15, 2014.
 The Alt Team, “Ziiro Celeste Watch Hands-On”, Dec. 12, 2012, accessed Dec. 4, 2014.

* cited by examiner

Primary Examiner — Melanie Pellegrini
 (74) Attorney, Agent, or Firm — Sterne, Kessler, Goldstein & Fox P.L.L.C.

(57) CLAIM

The ornamental design for a band, as shown and described.

DESCRIPTION

FIG. 1 is a bottom front perspective of a band showing the claimed design;
 FIG. 2 is a bottom rear perspective view thereof;
 FIG. 3 is a front view thereof;
 FIG. 4 is a rear view thereof;
 FIG. 5 is a right side view thereof;
 FIG. 6 is a left side view thereof;
 FIG. 7 is a top view thereof;
 FIG. 8 is a bottom view thereof; and,
 FIG. 9 is a perspective view thereof showing the band in an environment in which it may be used.
 The broken lines in the Figures show portions of the band and environment that form no part of the claimed design.

1 Claim, 6 Drawing Sheets

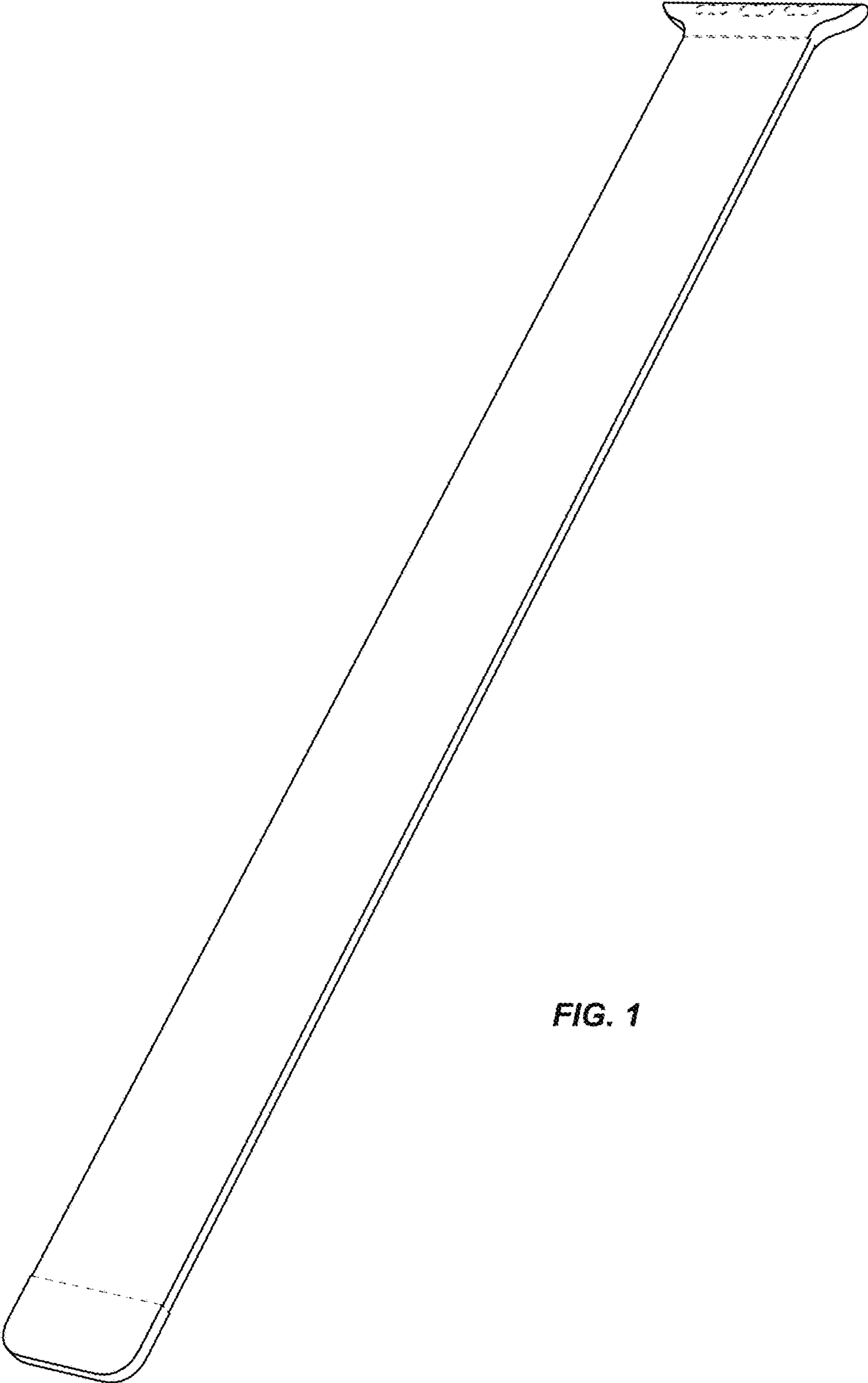
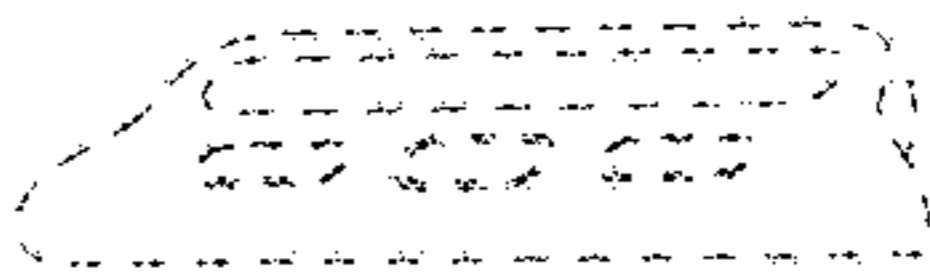


FIG. 1

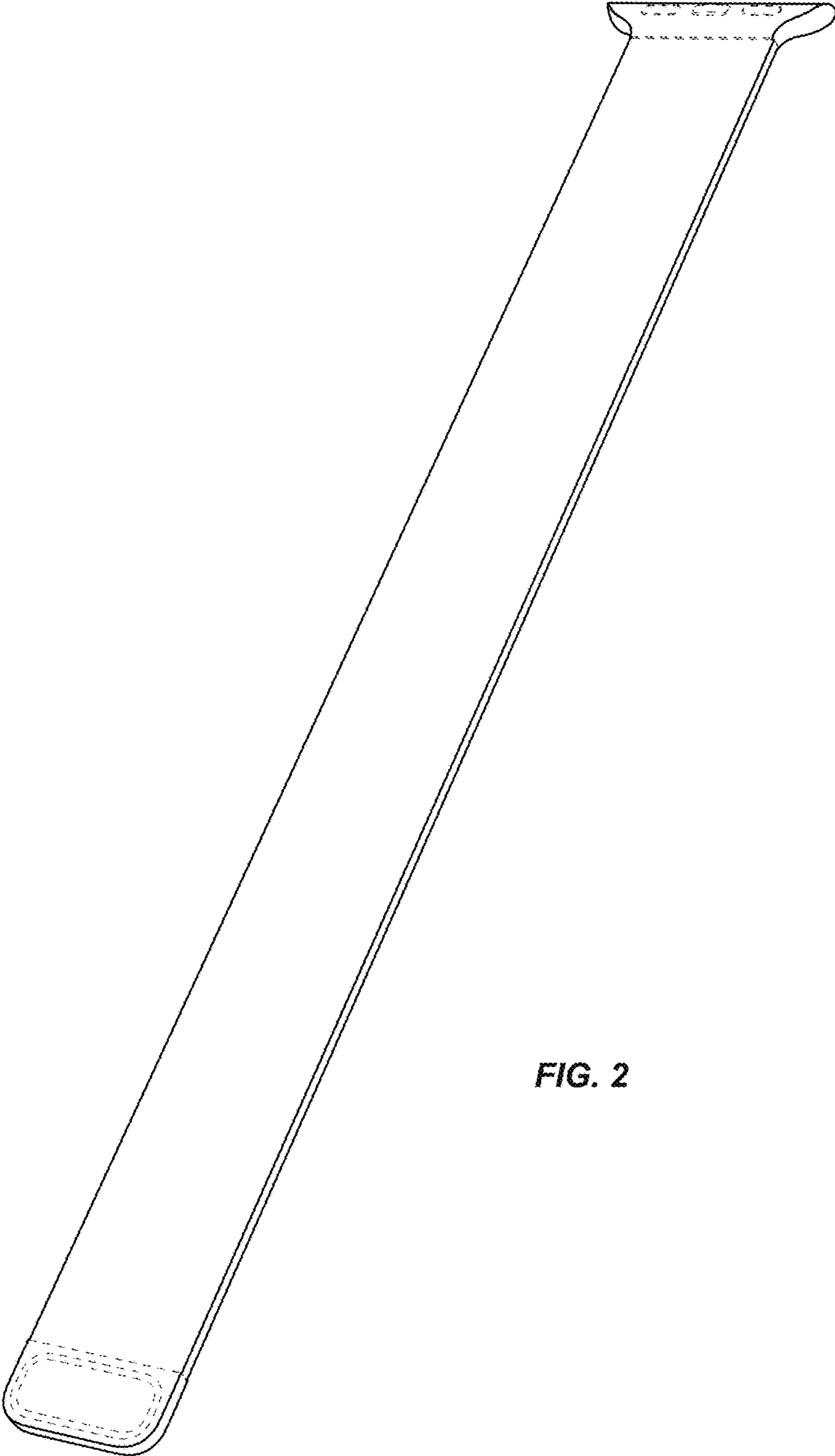
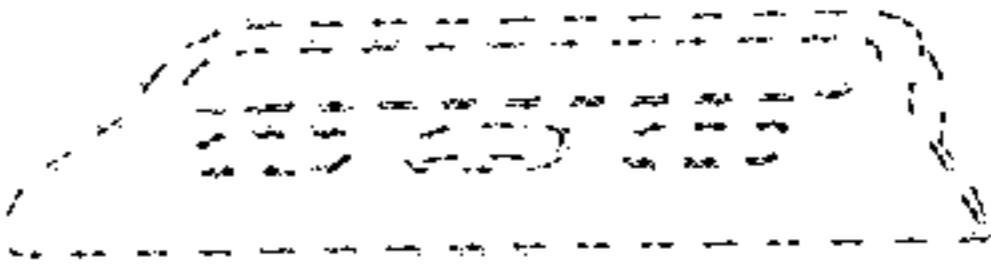


FIG. 2

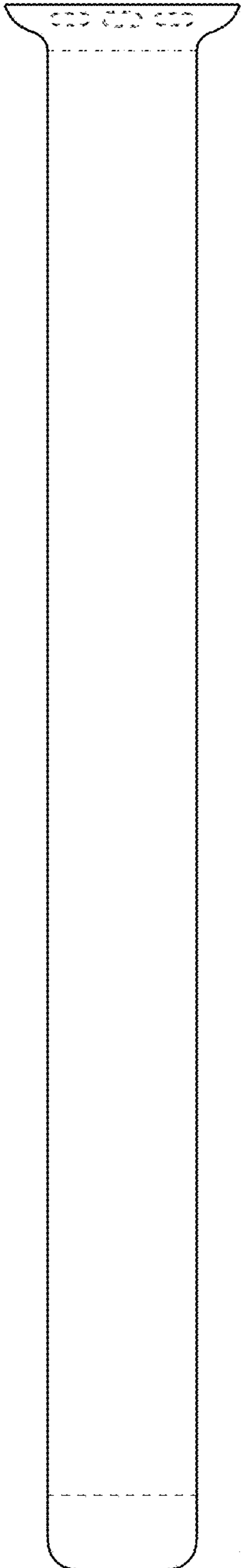
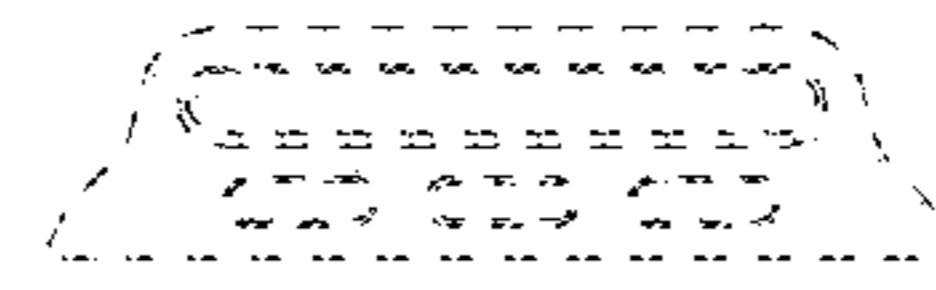
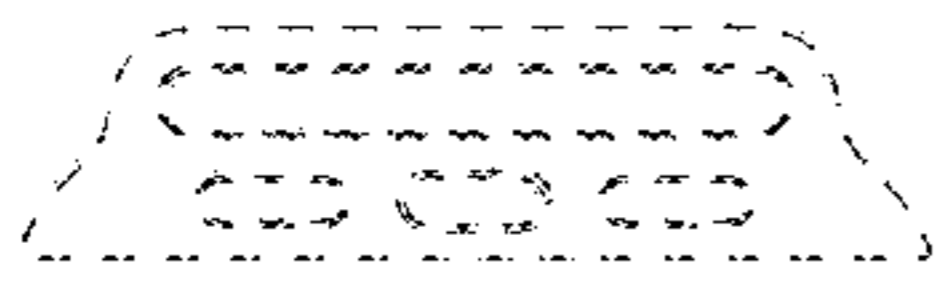


FIG. 3

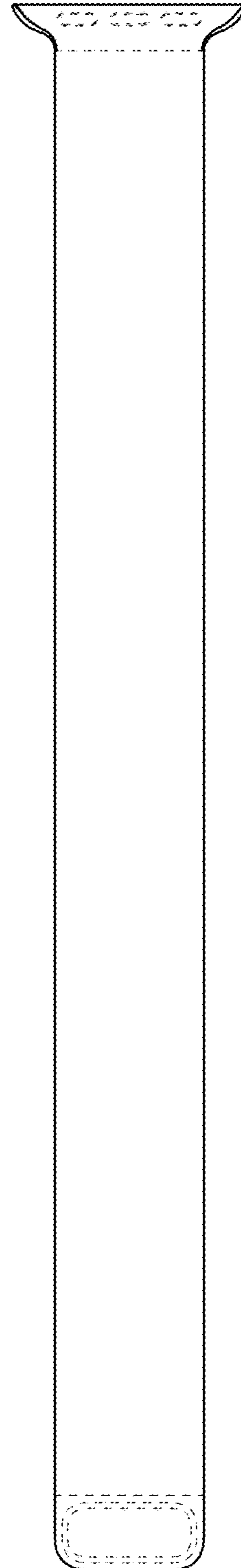


FIG. 4

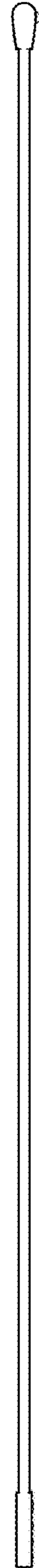
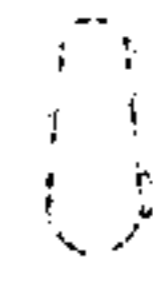
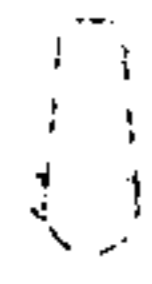


FIG. 5

FIG. 6

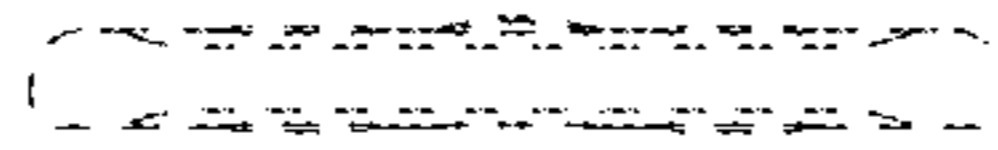


FIG. 7

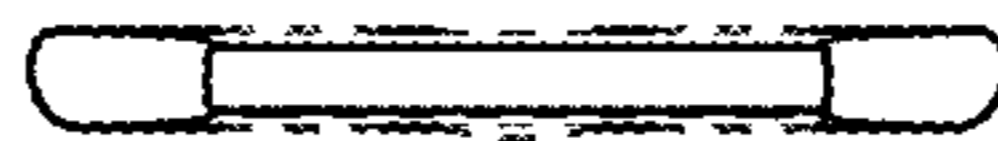


FIG. 8

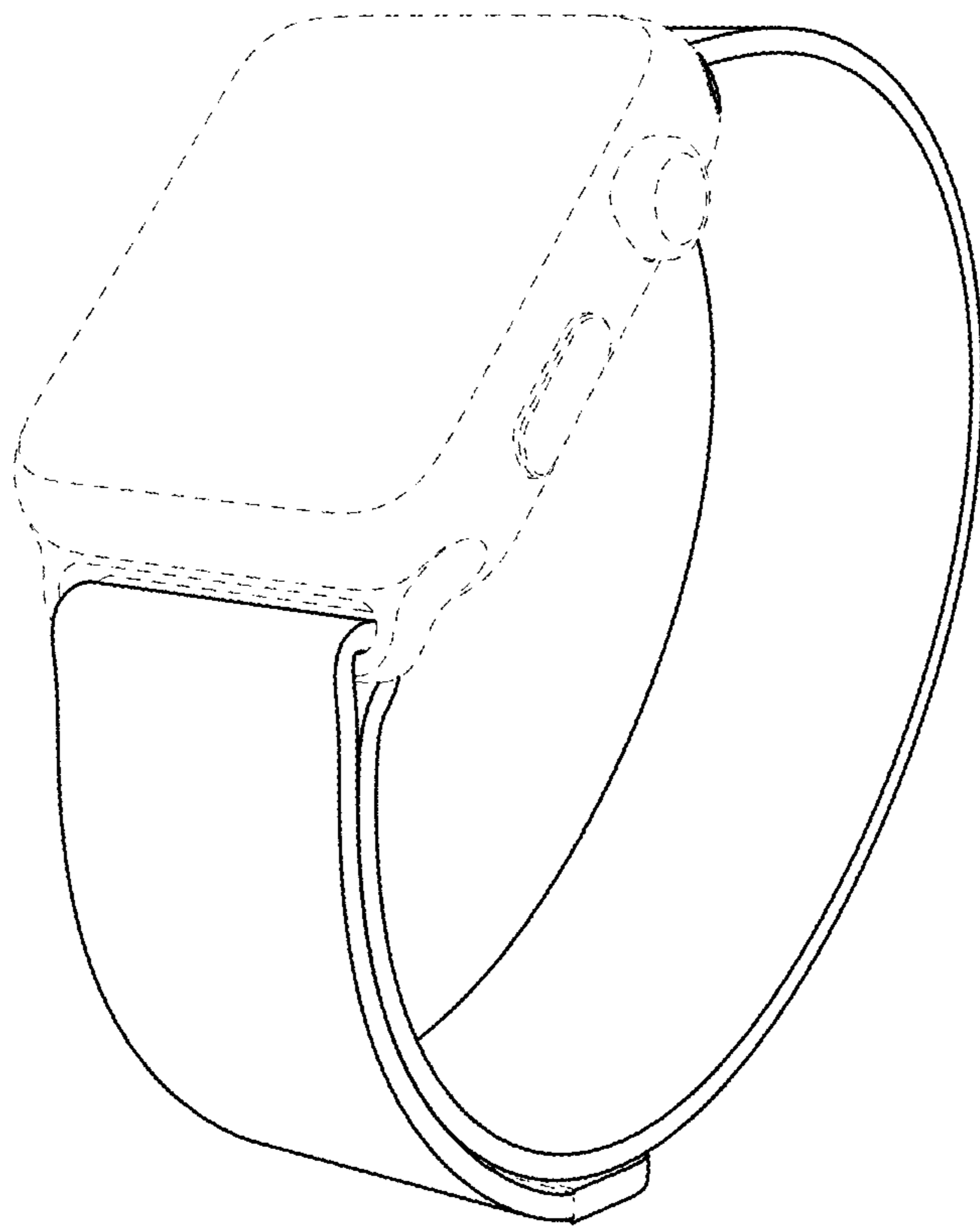


FIG. 9