



US00D815971S

(12) **United States Design Patent**
Goldstein

(10) **Patent No.:** **US D815,971 S**

(45) **Date of Patent:** **** Apr. 24, 2018**

- (54) **WATCH FACE**
 - (71) Applicant: **Avraham Goldstein**, Flushing, NY
(US)
 - (72) Inventor: **Avraham Goldstein**, Flushing, NY
(US)
 - (**) Term: **15 Years**
 - (21) Appl. No.: **29/563,809**
 - (22) Filed: **May 9, 2016**
 - (51) **LOC (11) Cl.** **10-02**
 - (52) **U.S. Cl.**
USPC **D10/126**
 - (58) **Field of Classification Search**
USPC D10/22, 30-39, 122-131
CPC G04F 7/08; G04F 7/0804; G04F 7/0842;
G04F 7/0857; G04F 7/0871; G04B 19/06;
G04B 19/10; G04B 19/103; G04B 19/12;
G04B 19/16; G04B 19/18; G04B 19/223;
G04B 19/22; G04B 19/24; G04B 19/26;
G04B 19/28; G04B 19/283; G04B 37/00;
G04B 37/0008; G04B 37/0058; G04B
47/04; G04B 45/00; G04B 45/0069;
G04B 45/0076
- See application file for complete search history.

- D298,517 S * 11/1988 Fontana D10/126
- D300,518 S * 4/1989 Fontana D10/126
- D311,340 S * 10/1990 Armstrong D10/2
- D312,793 S * 12/1990 Fujiwara D10/39
- D315,514 S * 3/1991 Weil D10/32
- D316,380 S * 4/1991 Kaneko D10/122
- D327,652 S * 7/1992 Brodmann D10/30
- D328,721 S * 8/1992 Kaneko D10/126
- D332,055 S * 12/1992 Gander D10/39
- D338,413 S * 8/1993 Ciambella D10/57
- D363,251 S * 10/1995 Gardner D10/126
- D377,762 S * 2/1997 Chien D10/22
- 5,841,738 A * 11/1998 Kamei G04B 19/12
368/205
- D413,272 S * 8/1999 Duke D10/126
- D413,813 S * 9/1999 Butler D10/126
- 6,580,663 B1 * 6/2003 Whitmore G04B 19/26
368/15
- 6,714,485 B2 * 3/2004 Albisetti G04B 19/085
368/21
- D549,123 S * 8/2007 Waldman D10/126
- 7,421,816 B2 * 9/2008 Conescu F41G 1/473
42/114
- 7,433,269 B2 * 10/2008 Vuilleumier G04B 19/26
368/18

(Continued)

Primary Examiner — Sandra S Snapp
Assistant Examiner — Katherine Glennon

(57) **CLAIM**

I claim the ornamental design for a watch face, as shown and described.

(56) **References Cited**

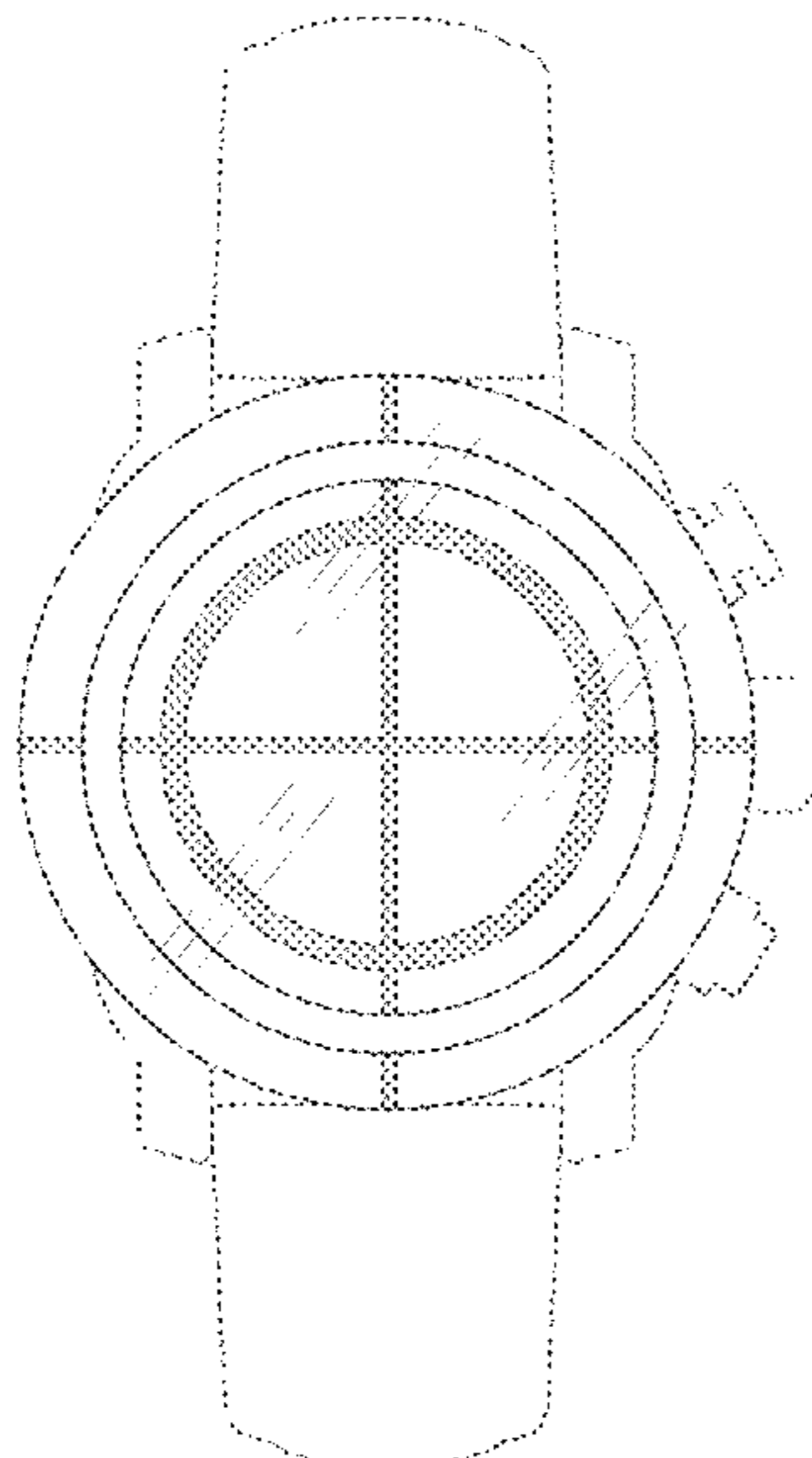
U.S. PATENT DOCUMENTS

- D99,587 S * 5/1936 Ribera D10/1
- D136,341 S * 9/1943 Dupin D10/38
- D224,550 S * 8/1972 Fainsilber 368/228
- D230,052 S * 1/1974 Fukimoto D10/124
- D230,057 S * 1/1974 Fukimoto D10/124
- D235,216 S * 5/1975 Munson D21/699
- D285,779 S * 9/1986 Maron D10/30
- D285,908 S * 9/1986 Maron D10/30
- D288,296 S * 2/1987 Maron D10/30

DESCRIPTION

The FIGURE is a top side view of the watch face of the claimed design.
The surface of the watch face shown in the FIGURE is flat and planar.
The broken lines showing a watch band and knobs are for the purpose of illustrating the environment in which the design is used and form no part of the claimed design.

1 Claim, 1 Drawing Sheet



(56)

References Cited

U.S. PATENT DOCUMENTS

| | | | | |
|-----------|------|--------|-----------------|------------------------|
| D637,093 | S * | 5/2011 | Salemi | D10/32 |
| D655,757 | S * | 3/2012 | Robertson | D21/302 |
| 8,264,910 | B2 * | 9/2012 | Fuisz | G04B 47/003 116/308 |
| D687,734 | S * | 8/2013 | Antifora | D10/126 |
| D688,142 | S * | 8/2013 | Jacques | D10/58 |
| D703,570 | S * | 4/2014 | Jones | D10/126 |
| D712,496 | S * | 9/2014 | Muller | D21/791 |
| 8,976,630 | B2 * | 3/2015 | Oshio | G04B 19/065 368/205 |
| D736,223 | S * | 8/2015 | Park | D14/485 |
| D749,447 | S * | 2/2016 | Andersson | D10/126 |
| D754,677 | S * | 4/2016 | Takizawa | D14/485 |
| D763,715 | S * | 8/2016 | Raehsler | D10/96 |
| D778,375 | S * | 2/2017 | Stein | D21/686 |
| D787,953 | S * | 5/2017 | Dominguez | D10/30 |

* cited by examiner

