



US00D815970S

(12) **United States Design Patent** (10) **Patent No.:** **US D815,970 S**
Ramasarma et al. (45) **Date of Patent:** **** Apr. 24, 2018**

(54) **WEARABLE PERSONAL IDENTIFICATION DEVICE**

- (71) Applicant: **Blazer and Flip Flops, Inc.**, San Diego, CA (US)
- (72) Inventors: **Vaidyanathan Pallavur Ramasarma**, San Diego, CA (US); **Maximillian Philip Burton**, San Francisco, CA (US); **Quinn Huffstetler**, San Francisco, CA (US); **Dustin Lee**, San Francisco, CA (US); **Adam Leonards**, San Francisco, CA (US)
- (73) Assignee: **Blazer and Flip Flops, Inc.**, San Diego, CA (US)

- (**) Term: **15 Years**
- (21) Appl. No.: **29/573,902**
- (22) Filed: **Aug. 10, 2016**

- (51) **LOC (11) Cl.** **10-05**
- (52) **U.S. Cl.**
USPC **D10/104.1**
- (58) **Field of Classification Search**
USPC ... D14/344, 138 R, 144, 341, 358, 485-489, D14/480.1, 480.4; D10/30-39, 70, 98, D10/104.1; D11/3, 93-94, 79; D24/167, D24/169, 186-187; 361/679.03; 379/433.1; D21/683; D8/347
CPC .. A41D 1/002; G06F 1/04; G06F 1/08; G06F 1/10; G06F 1/14; G06F 1/1626; G06F 1/1628; G06F 1/163; G06F 1/1635; G06F 1/3203; G06Q 20/10; G06Q 20/12; G06Q 20/108; G06Q 20/145; H04B 1/3833; H04B 1/385; H04B 1/3888; H04M 1/02; H04M 1/03; H04M 1/04; H04M 1/05; H04M 1/667; H04M 1/6058; Y02B 60/1217

See application file for complete search history.

(56) **References Cited**

U.S. PATENT DOCUMENTS

D61,696 S *	11/1922	Keller	D10/37
1,715,238 A	5/1929	Kleschka		
D107,687 S	12/1937	Name Not Available		
D121,632 S	7/1940	Name Not Available		
D122,111 S	8/1940	Name Not Available		
D142,371 S	9/1945	Name Not Available		

(Continued)

OTHER PUBLICATIONS

AWID Prox-Linc KT Prox Keytag (10 Pack), posted Nov. 15, 2011, [retrieved Nov. 11, 2017]. Retrieved from Internet, <URL: <https://www.amazon.com/AWID-Prox-Linc-Prox-Keytag-Pack/dp/B004OIDA70>>.*

(Continued)

Primary Examiner — Barbara Fox
Assistant Examiner — Kristine E Reed
(74) *Attorney, Agent, or Firm* — Polsinelli LLP

(57) **CLAIM**

The ornamental design for a wearable personal identification device, as shown and described.

DESCRIPTION

FIG. 1 is a perspective view of a wearable personal identification device showing our new design;
FIG. 2 is a front view of the wearable personal identification device;
FIG. 3 is a rear view of the wearable personal identification device;
FIG. 4 is a right side view of the wearable personal identification device;
FIG. 5 is a left side view of the wearable personal identification device;

(Continued)

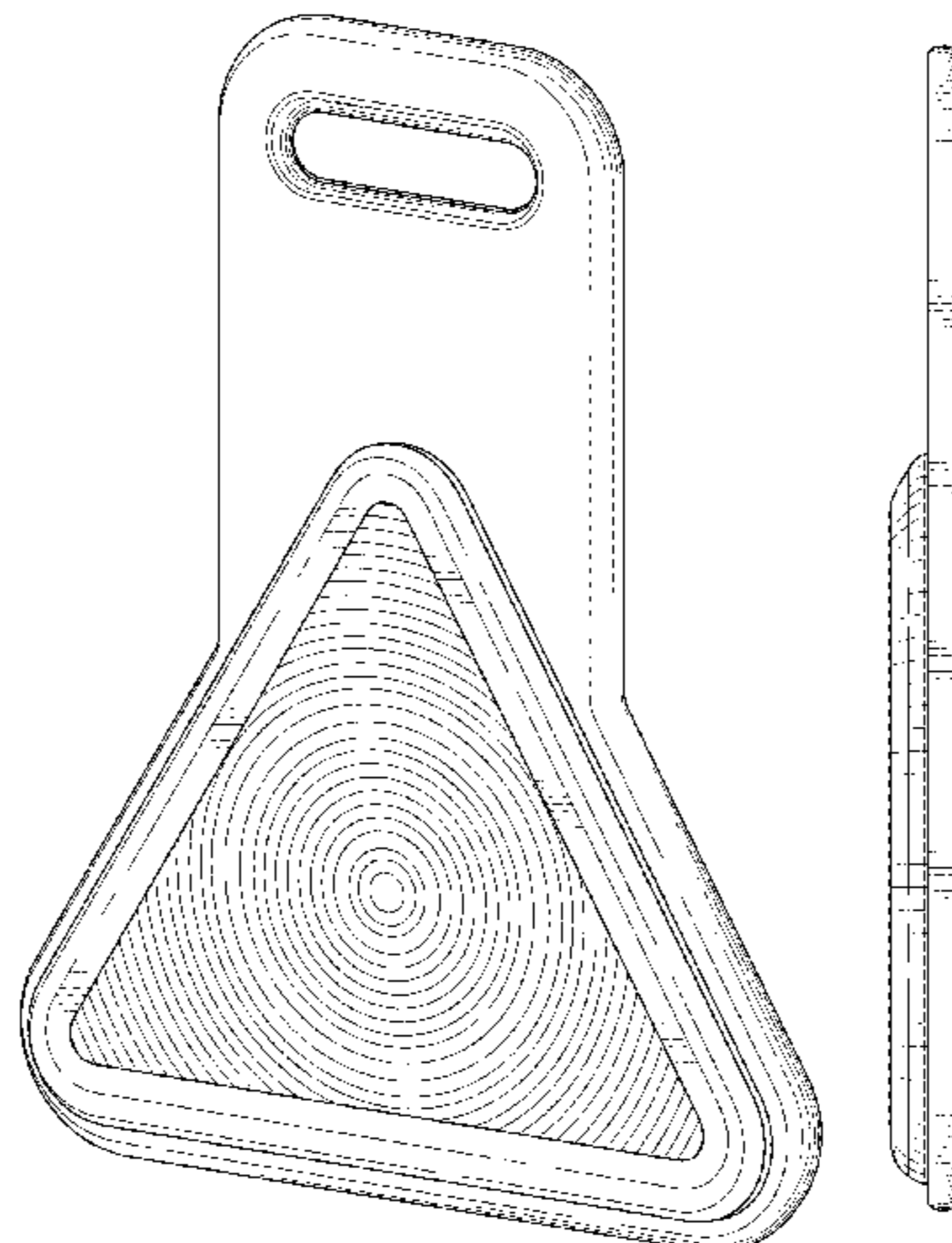


FIG. 6 is a top view of the wearable personal identification device; and,
 FIG. 7 is a bottom view of the wearable personal identification device.

1 Claim, 5 Drawing Sheets

(56)

References Cited

U.S. PATENT DOCUMENTS

D234,579 S * 3/1975 Boulton et al. D10/37
 3,880,607 A 4/1975 Wolpin
 D267,521 S * 1/1983 Mathieson D3/210
 D271,003 S 10/1983 Brinkley
 D273,847 S 5/1984 Yusa
 D278,037 S * 3/1985 Hattori D10/30
 D292,677 S 11/1987 Jordi
 D304,699 S 11/1989 De Brey
 D305,105 S * 12/1989 De Brey D11/99
 D305,744 S 1/1990 De Brey
 D312,224 S 11/1990 Anderson
 D339,996 S * 10/1993 Rattley D10/104.1
 D344,460 S * 2/1994 Hiles D10/30
 D358,107 S * 5/1995 Bossen D10/104.1
 D359,305 S * 6/1995 Finkelstein D19/10
 D366,262 S 1/1996 Inaba
 D369,463 S * 5/1996 Driscoll D3/207
 D376,114 S 12/1996 Seki et al.
 D378,067 S * 2/1997 Sirois D10/104.1
 D378,578 S 3/1997 Eberhardt
 D382,817 S 8/1997 Ahmadi
 D392,201 S 3/1998 Chen
 5,781,512 A 7/1998 Pantent
 D405,021 S * 2/1999 Steele D10/104.1
 D406,542 S 3/1999 Mik
 D415,441 S 10/1999 Pinchuk
 D428,350 S * 7/2000 Weingartner D10/104.1
 D441,185 S 5/2001 Shimizu et al.
 D446,436 S 8/2001 Christianson
 D456,987 S 5/2002 Kreisler et al.
 D465,469 S 11/2002 Heath
 6,527,434 B1 3/2003 Fox et al.
 D474,980 S * 5/2003 Finkay D10/31
 D476,243 S * 6/2003 Houlihan D10/70
 D478,622 S * 8/2003 Grayson D19/10
 D497,636 S * 10/2004 Allen D19/10
 D501,843 S 2/2005 Oas
 D503,628 S 4/2005 Chen
 6,936,824 B2 * 8/2005 Takada A61B 5/0059
 250/372
 D509,480 S * 9/2005 Li D13/168
 D516,929 S 3/2006 Vipond et al.
 D524,038 S * 7/2006 Leung D14/480.5
 D524,255 S 7/2006 Geringer
 D549,117 S 8/2007 Snider
 D565,436 S 4/2008 McDarby et al.
 D569,425 S 5/2008 Law et al.
 D572,752 S 7/2008 Hammad

D574,282 S * 8/2008 Hill D10/104.1
 D575,815 S 8/2008 Hammad et al.
 D575,816 S 8/2008 Law et al.
 D615,541 S 5/2010 Hamilton
 D619,987 S 7/2010 Scherf
 D625,014 S 10/2010 Hansen et al.
 D653,967 S 2/2012 Blake
 D657,229 S 4/2012 Chang
 D677,189 S 3/2013 Kalbach
 D681,212 S * 4/2013 Larsen D24/174
 D688,232 S 8/2013 Zhang
 D689,614 S 9/2013 Browne et al.
 D693,332 S 11/2013 Lee et al.
 D696,971 S 1/2014 Ammon
 D700,084 S 2/2014 Hsu
 D714,665 S * 10/2014 Naughton D10/53
 D716,168 S 10/2014 Au Yeung
 D726,035 S * 4/2015 Perez D10/65
 D729,093 S 5/2015 Garcia et al.
 D757,000 S * 5/2016 Lagomarsino D14/344
 D764,461 S 8/2016 Romanoff et al.
 D775,609 S * 1/2017 Lee D14/223
 D781,287 S 3/2017 Nawab et al.
 D789,367 S 6/2017 Jentz et al.
 D790,372 S 6/2017 Daoura et al.
 D790,996 S 7/2017 Farley et al.
 D794,201 S 8/2017 Newhouse et al.
 D800,720 S 10/2017 Kim et al.

OTHER PUBLICATIONS

RFD21791 RFD8 RFID Tag (1 Button), posted Jul. 10, 2011, [retrieved Nov. 11, 2017]. Retrieved from Internet, <URL: <http://www.rfdigital.com/product/rfd21781-rfdp8-rfid-tag-1-button/index.html> & http://www.rfdigital.com/wp-content/uploads/2014/03/RFD8.RF_Modules.Manual.pdf >.*
 Listerine Pocket Mist Cool Mint 7.7 ml, posted May 23, 2001, [retrieved Nov. 11, 2017]. Retrieved from Internet, <URL: https://www.amazon.com/Listerine-Pocket-Mist-Cool-Mint/dp/B001B2MCIO/ref=cm_cr_arp_d_product_top?ie=UTF8&th=1>.
 Noble Key Fob M600, posted unknown, [retrieved Nov. 11, 2017]. Retrieved from Internet, <URL: <http://www.thelotuscentreonline.co.uk/Noble-Key-Fob-M600> >.
 Schlage Blue (Resident/Staff) Fob, posted Feb. 2, 2016, [retrieved Nov. 11, 2017]. Retrieved from Internet, <URL: <https://stratisems.freshdesk.com/support/solutions/articles/6000109210-schlage-blue-resident-staff-fob>>.
 Silicon Power 64GB Flash Drive Firma ZN F80 USB 2.0, Gray Aluminum (SP064GBUF2F80V1S), posted Nov. 6, 2012, [retrieved Nov. 11, 2017]. Retrieved from Internet, <URL: https://www.amazon.com/Silicon-Power-Swivel-Flash-SP032GBUC3C80V1S/dp/B00A35X1BM/ref=pd_sim_147_4?encoding=UTF8&refRID=PARP FHETBGPW4A4AGM18&th=1>.
 The bKey is an external iPhone battery small enough to fit on your keychain, posted Sep. 4, 2014, [retrieved Nov. 11, 2017]. Retrieved from Internet, <URL: <https://www.cultofmac.com/293889/bkey-external-iphone-battery-small-enough-fit-keychain/>>.

* cited by examiner

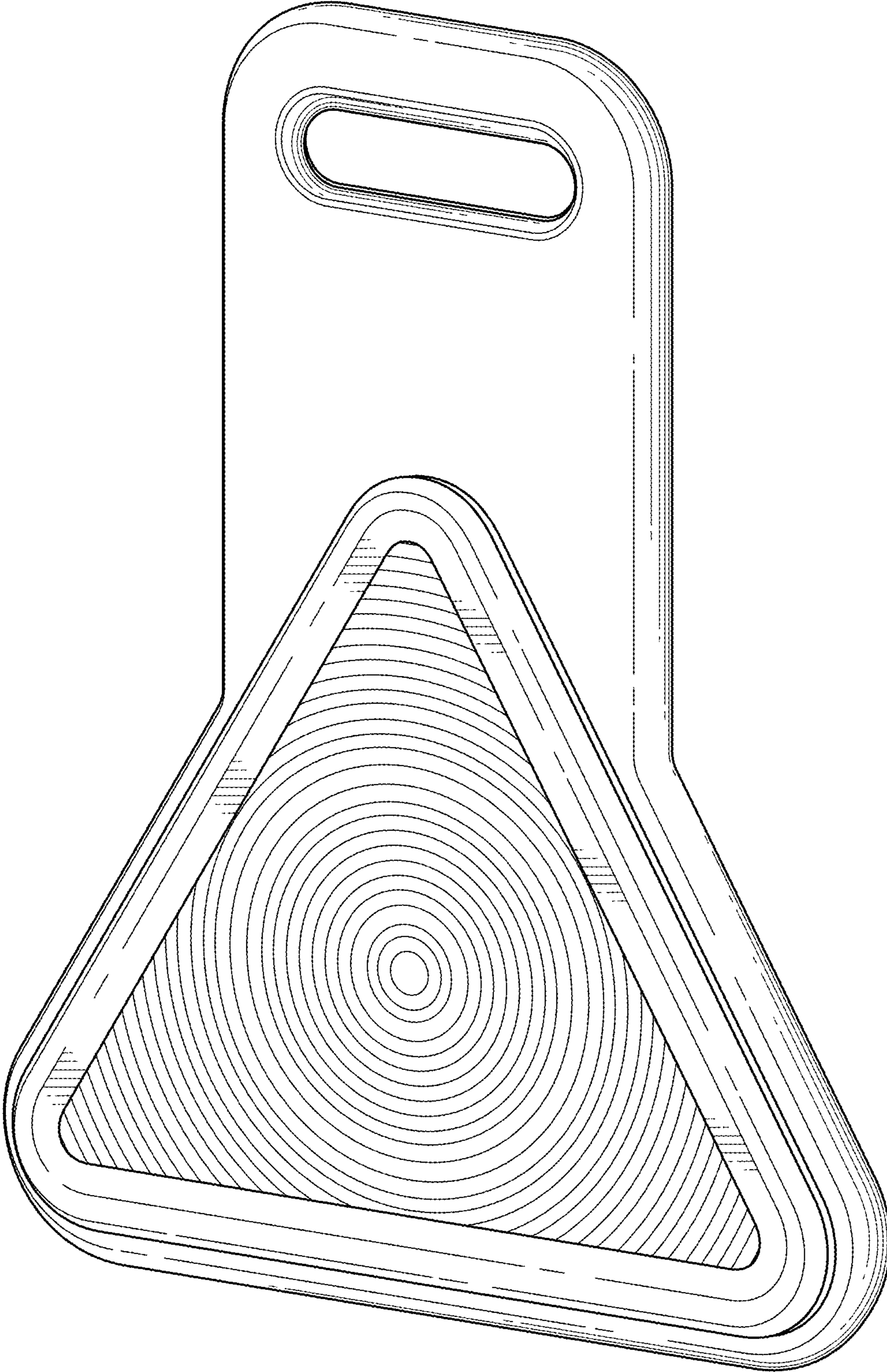


FIG. 1

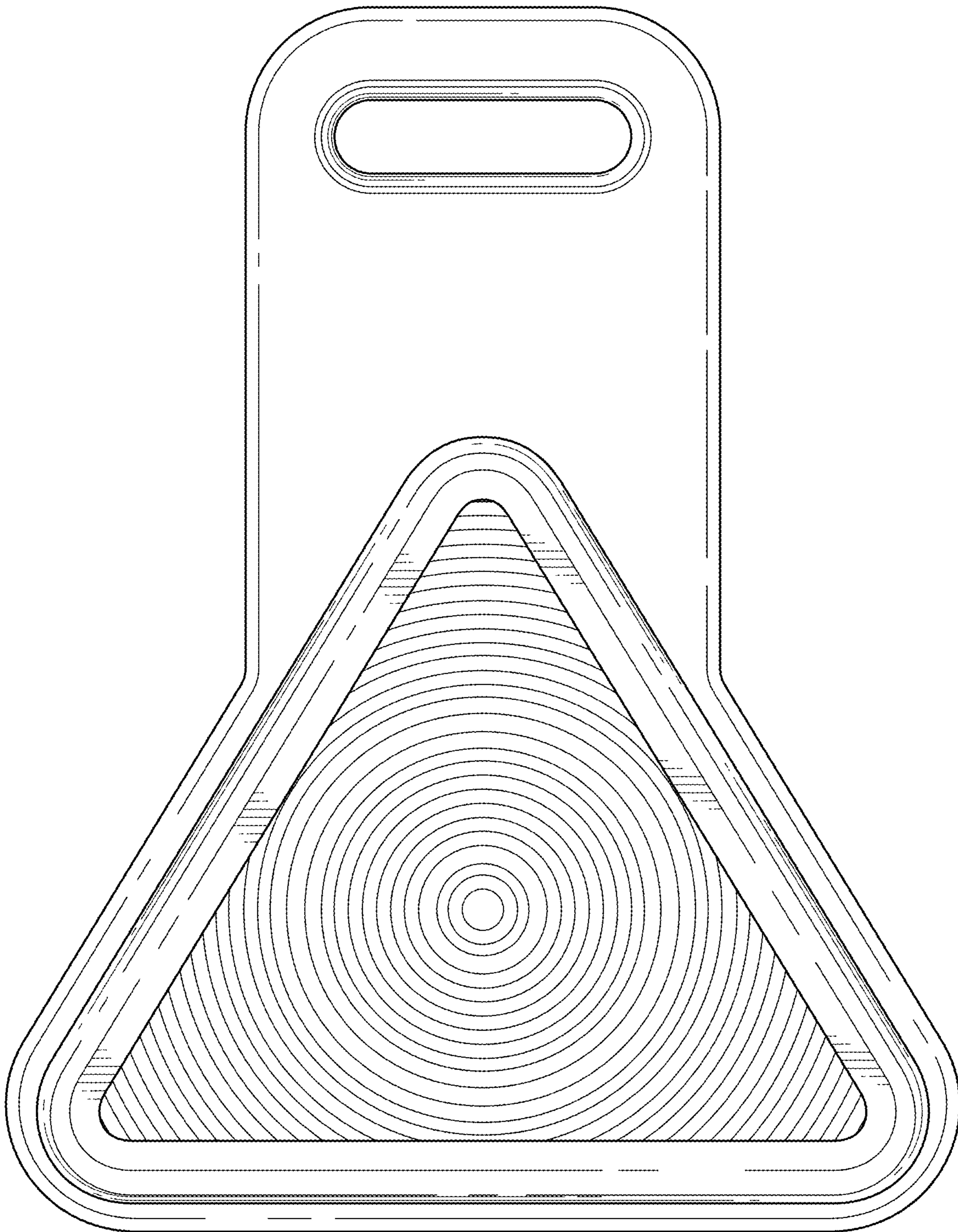


FIG. 2

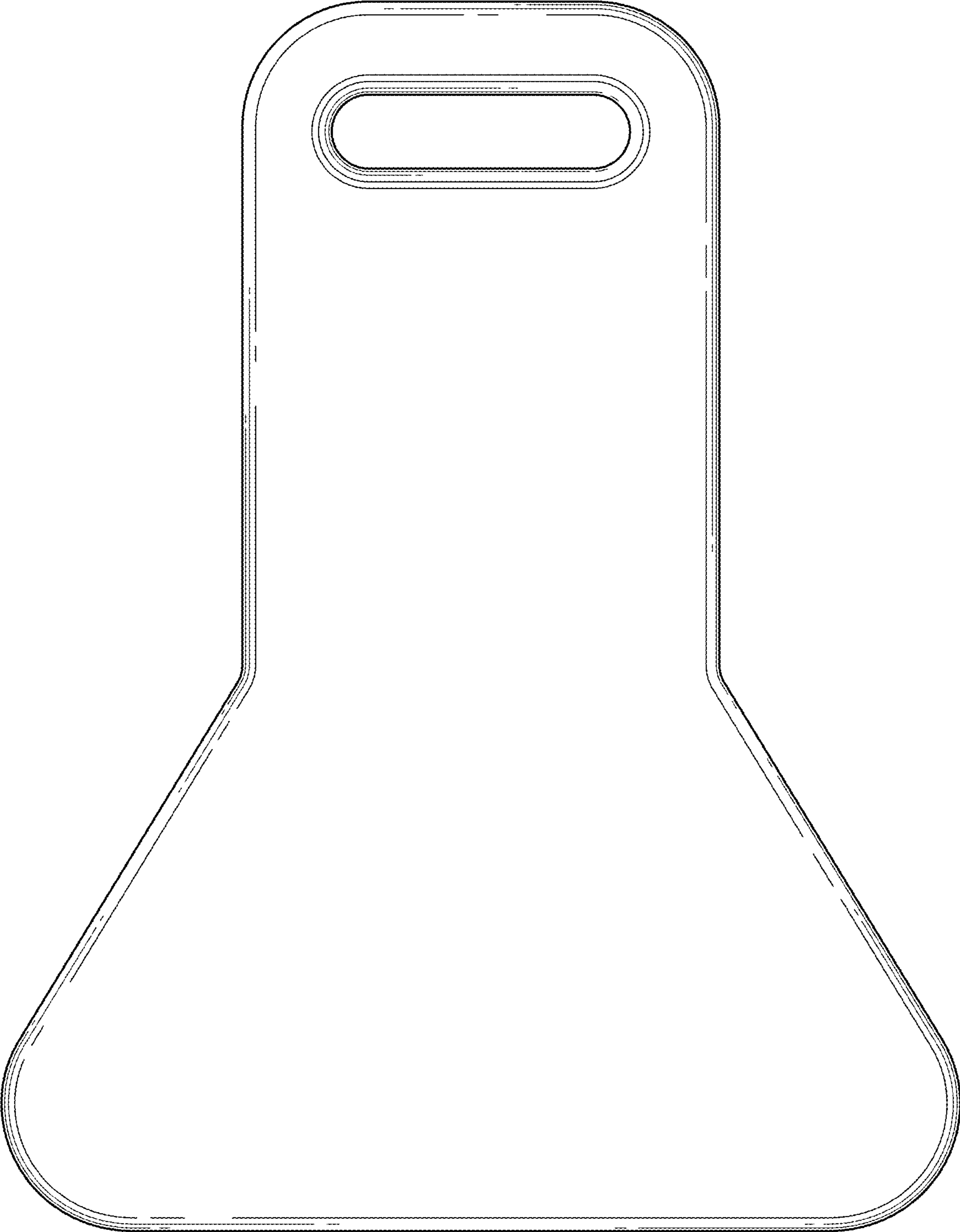


FIG. 3

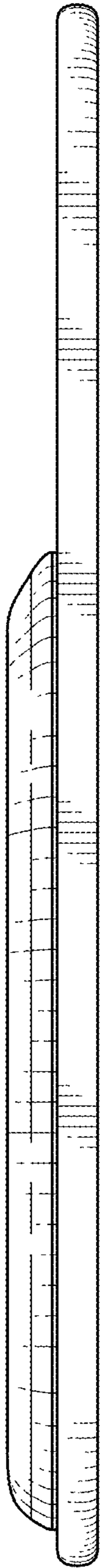


FIG. 4

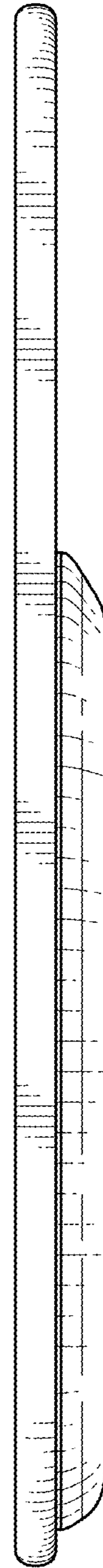


FIG. 5

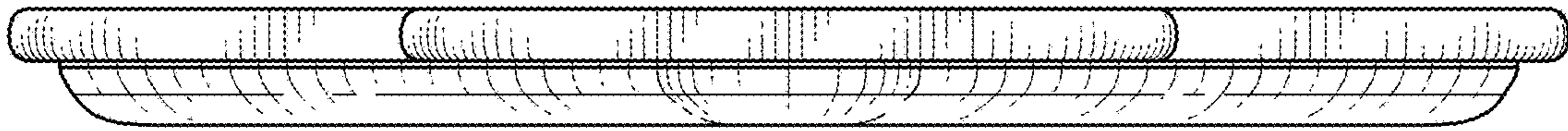


FIG. 6

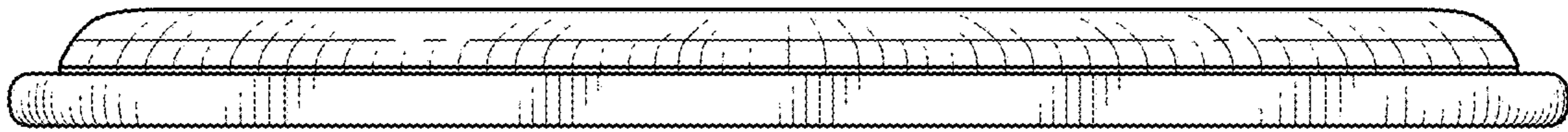


FIG. 7