



US00D815965S

(12) **United States Design Patent**
Takimoto et al.

(10) **Patent No.:** **US D815,965 S**
(45) **Date of Patent:** **** Apr. 24, 2018**

(54) **PRESSURE DETECTOR**

FOREIGN PATENT DOCUMENTS

(71) Applicant: **SAGINOMIYA SEISAKUSHO, INC.**,
Tokyo (JP)

JP 1486623 S 12/2013

* cited by examiner

(72) Inventors: **Kazuya Takimoto**, Sayama (JP);
Kazunori Hirai, Tokorozawa (JP)

Primary Examiner — Antoine Duval Davis

(73) Assignee: **SAGINOMIYA SEISAKUSHO, INC.**,
Tokyo (JP)

(74) *Attorney, Agent, or Firm* — Venable LLP; Michael
A. Sartori; Miguel A. Lopez

(**) Term: **15 Years**

(21) Appl. No.: **29/588,719**

(22) Filed: **Dec. 22, 2016**

(57) **CLAIM**

The ornamental design for a pressure detector, as shown and
described.

(30) **Foreign Application Priority Data**

Jun. 27, 2016 (JP) 2016-013579

(51) **LOC (11) Cl.** **10-04**

(52) **U.S. Cl.**
USPC **D10/85**

(58) **Field of Classification Search**
USPC D10/85
CPC .. G01D 11/24; G01D 11/245; G01L 19/0084;
G01L 19/14; H01R 4/02; H01R 43/02
See application file for complete search history.

DESCRIPTION

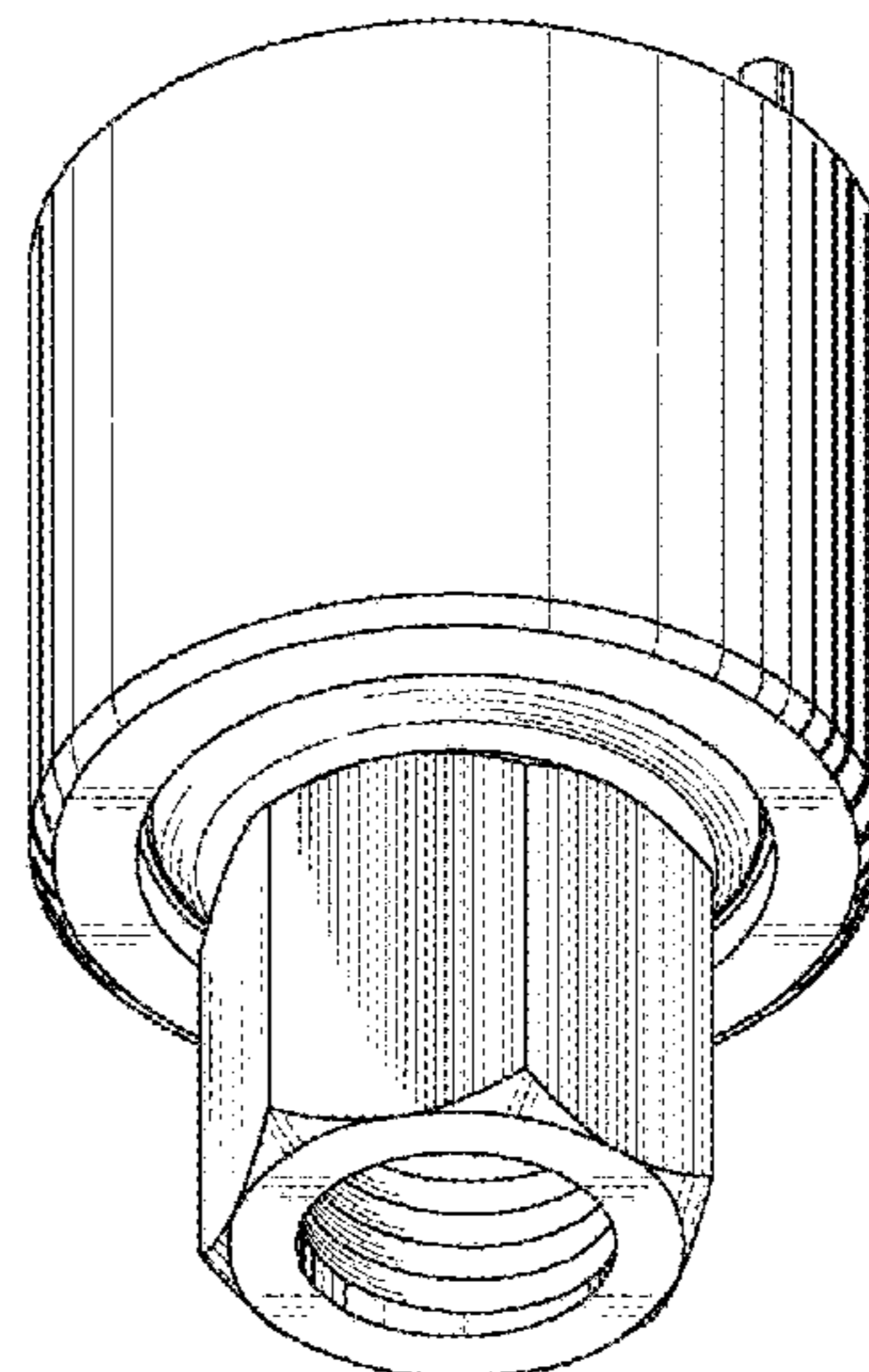
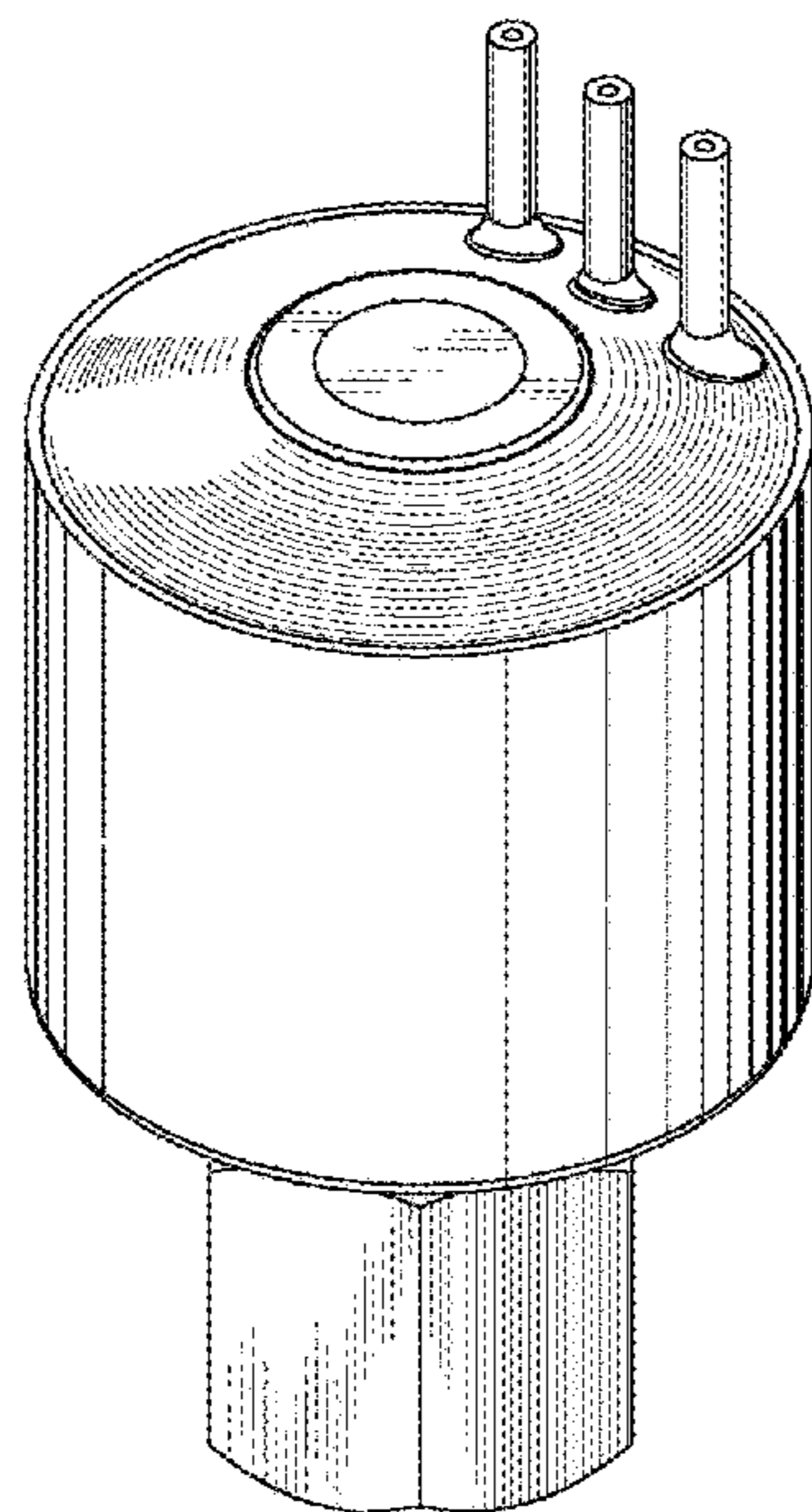
FIG. 1 is a front view of a pressure detector according to an
embodiment of the claimed design;
FIG. 2 is a rear view of the pressure detector of FIG. 1;
FIG. 3 is a left side view of the pressure detector of FIG. 1;
FIG. 4 is a right side view of the pressure detector of FIG.
1;
FIG. 5 is a top plan of the pressure detector of FIG. 1;
FIG. 6 is a bottom view of the pressure detector of FIG. 1;
FIG. 7 is a first perspective view of the pressure detector of
FIG. 1; and,
FIG. 8 is a second perspective view of a pressure detector of
FIG. 1.

(56) **References Cited**

U.S. PATENT DOCUMENTS

3,543,715 A * 12/1970 Hill B60C 23/00
116/34 A
5,396,803 A * 3/1995 Ferran G01L 9/0072
73/718
D695,140 S * 12/2013 Ashino D10/85

1 Claim, 8 Drawing Sheets



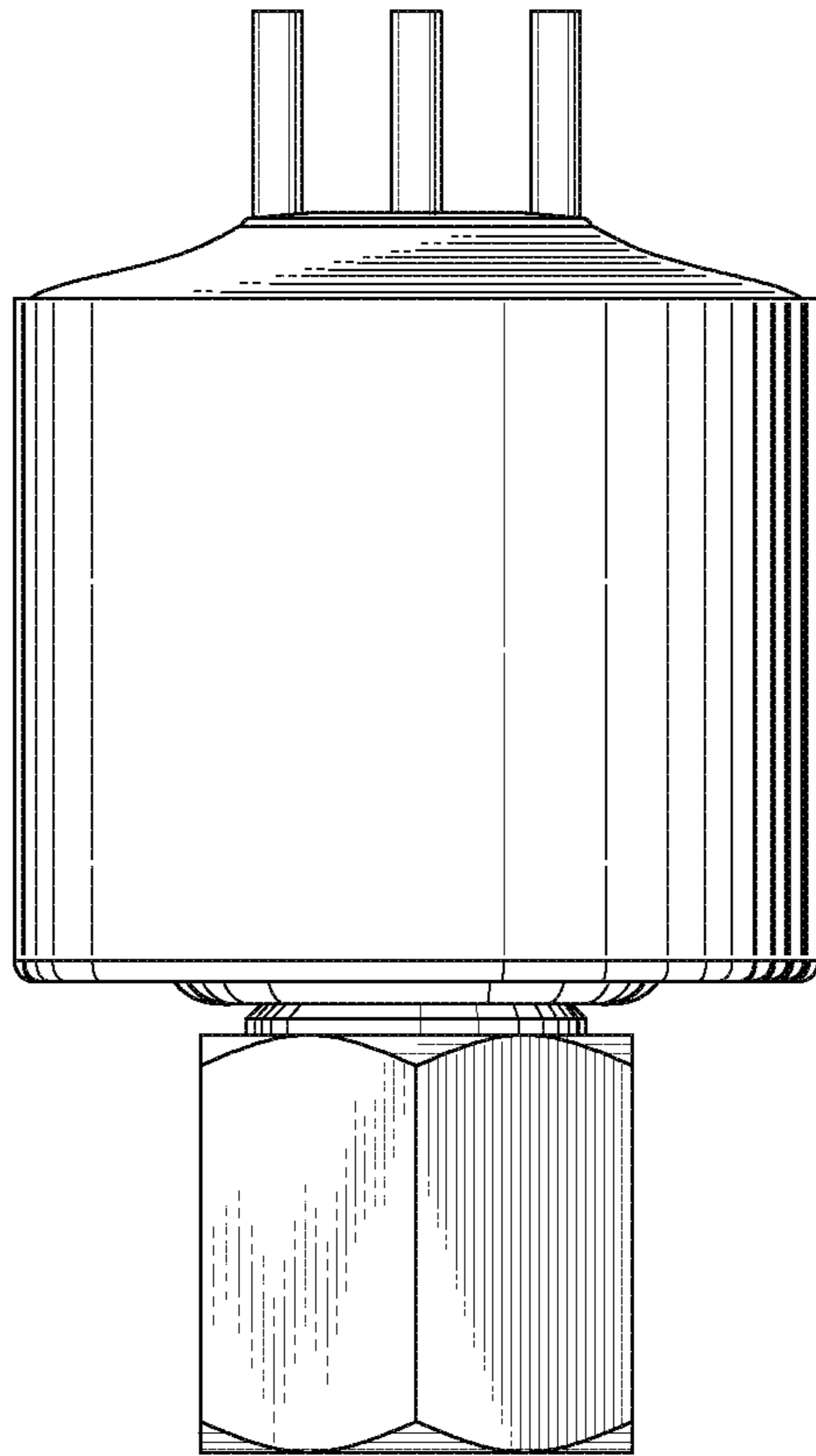


FIG. 1

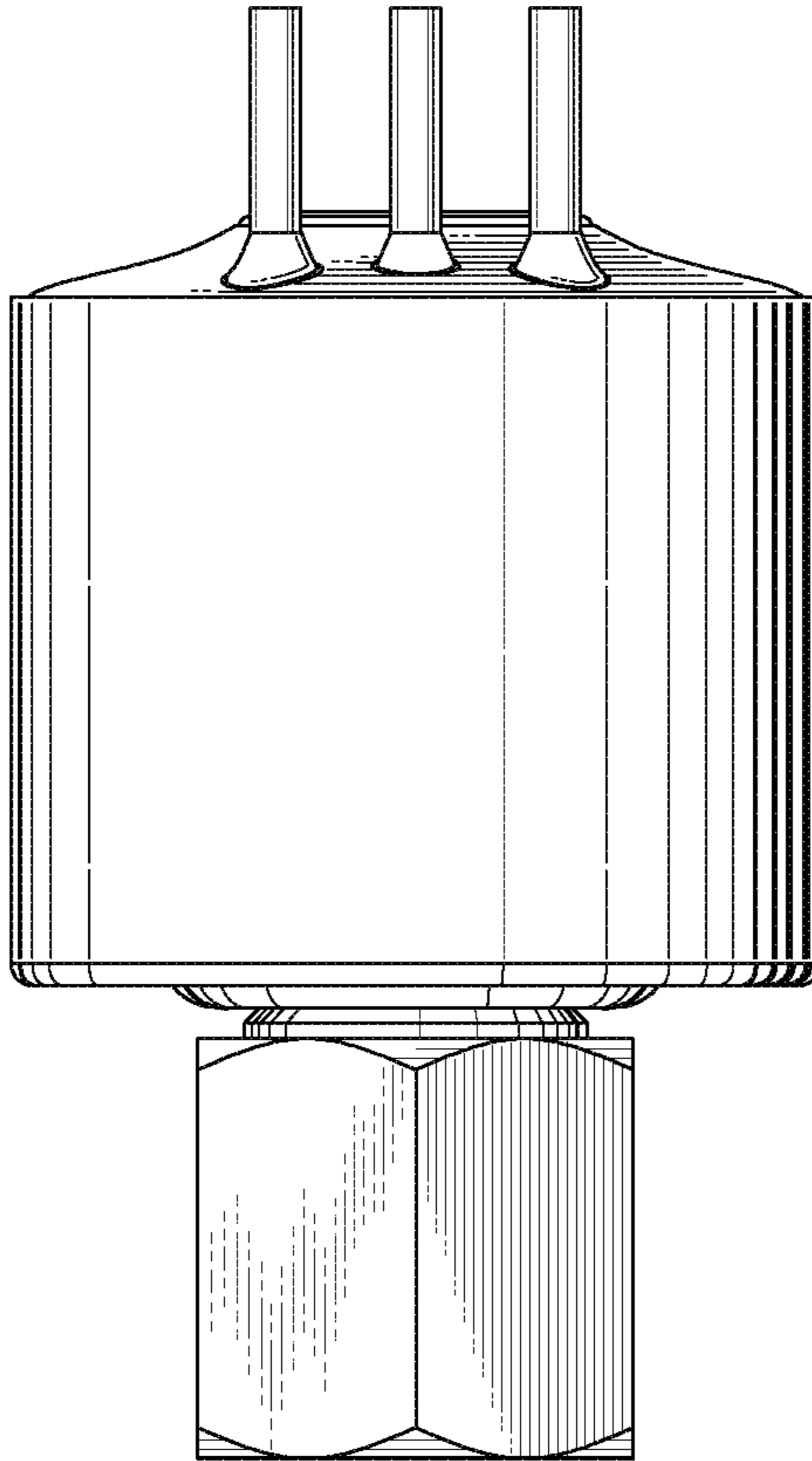


FIG. 2

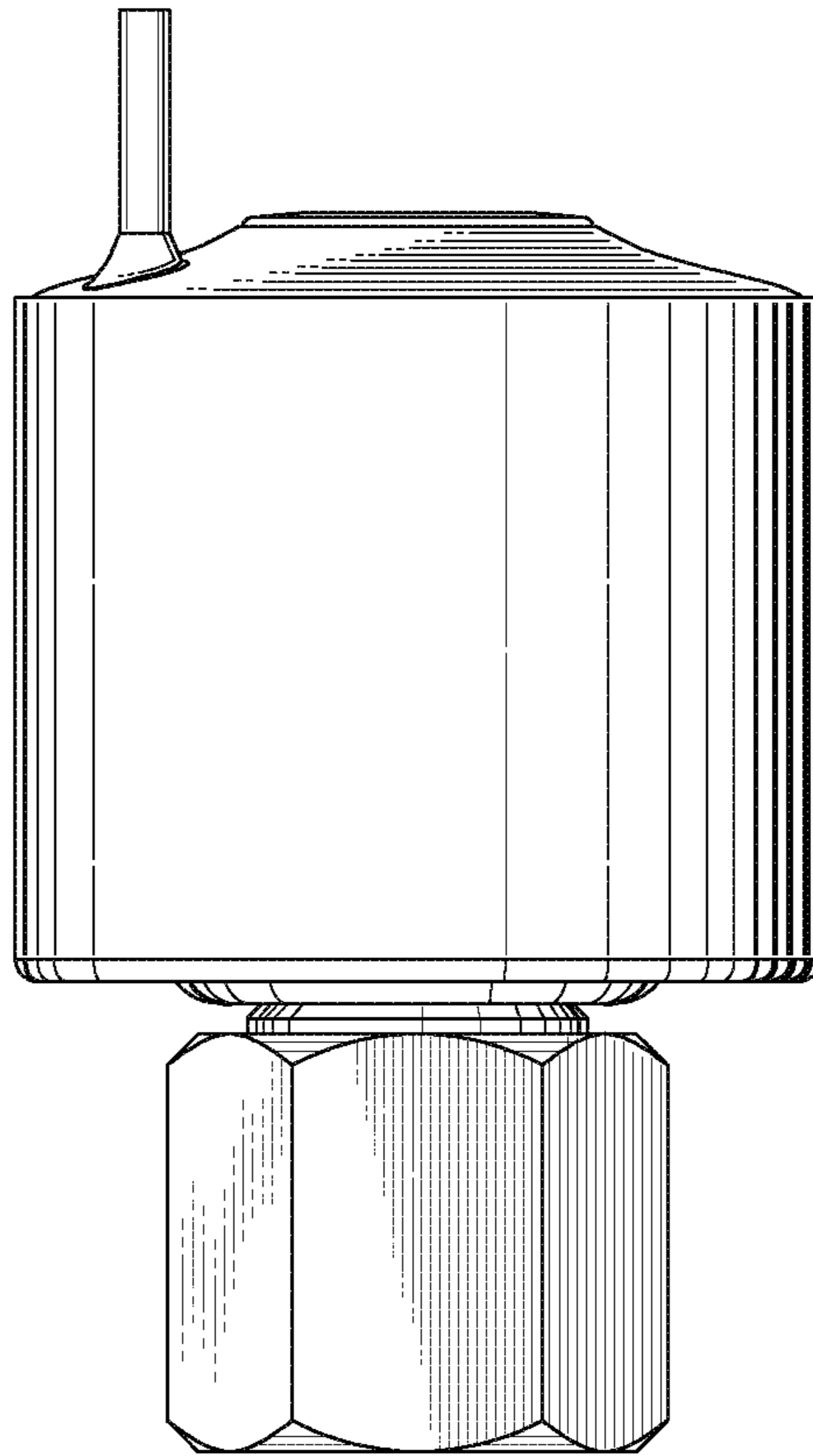


FIG. 3

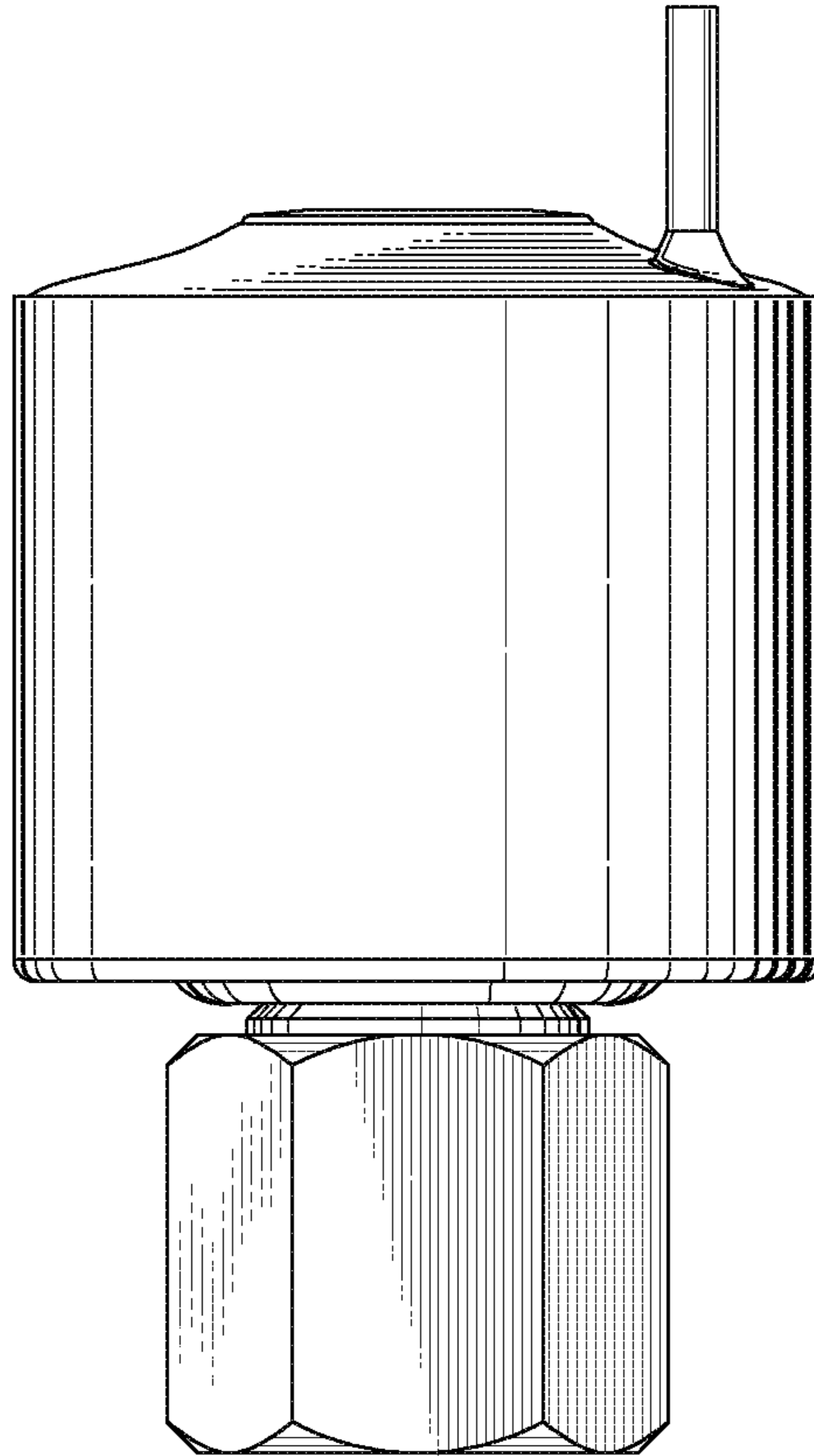


FIG. 4

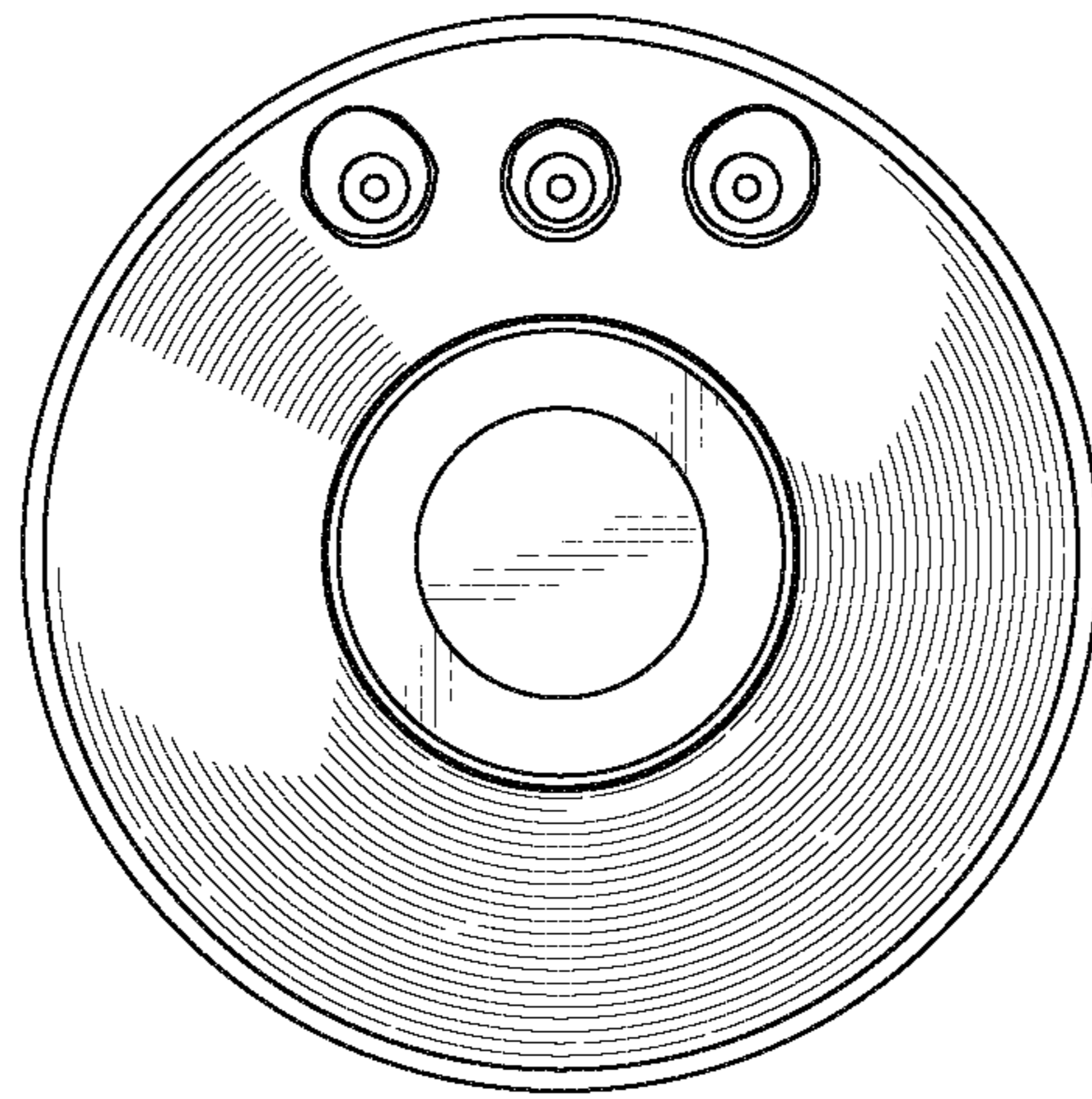


FIG. 5

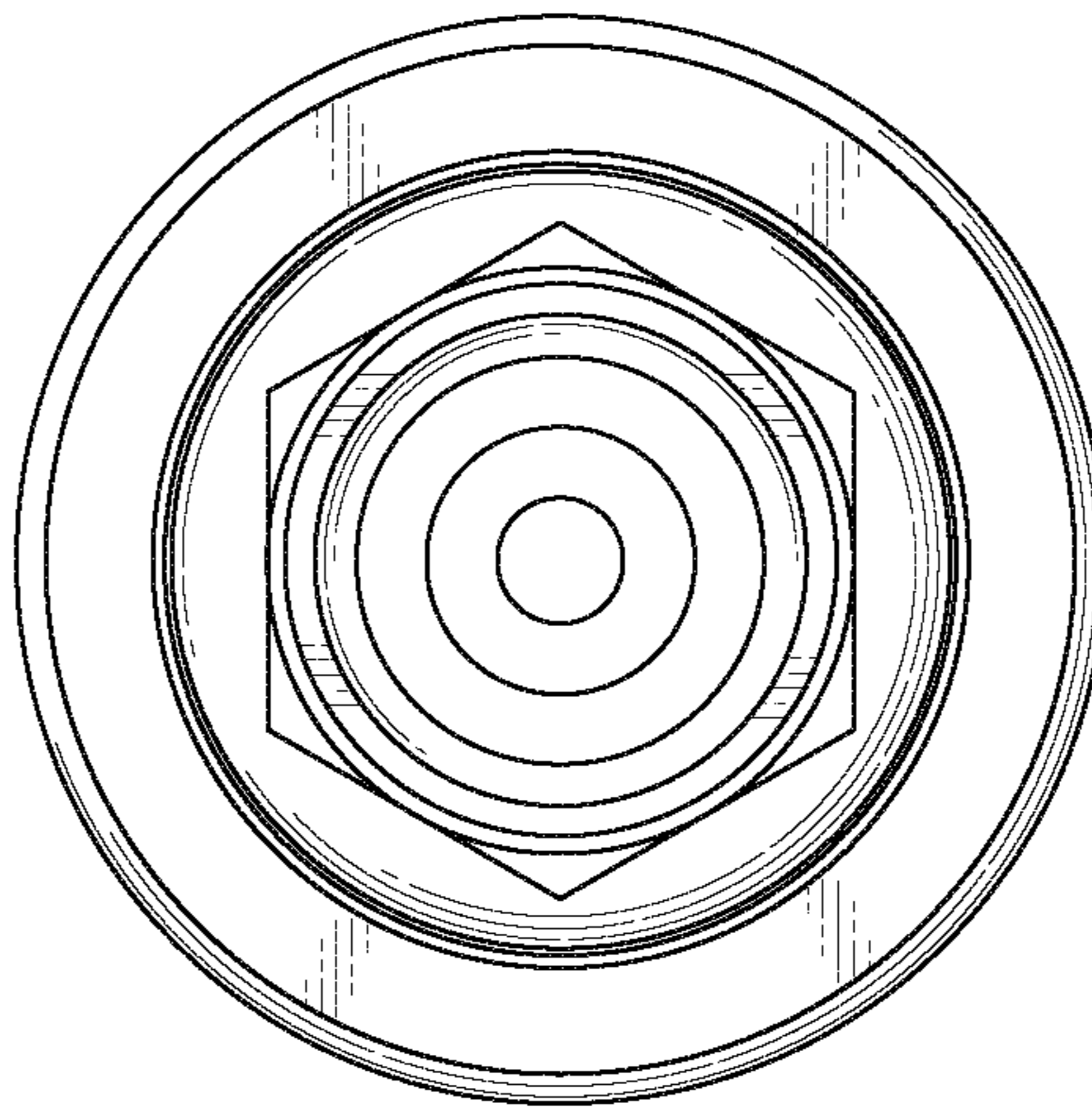


FIG. 6

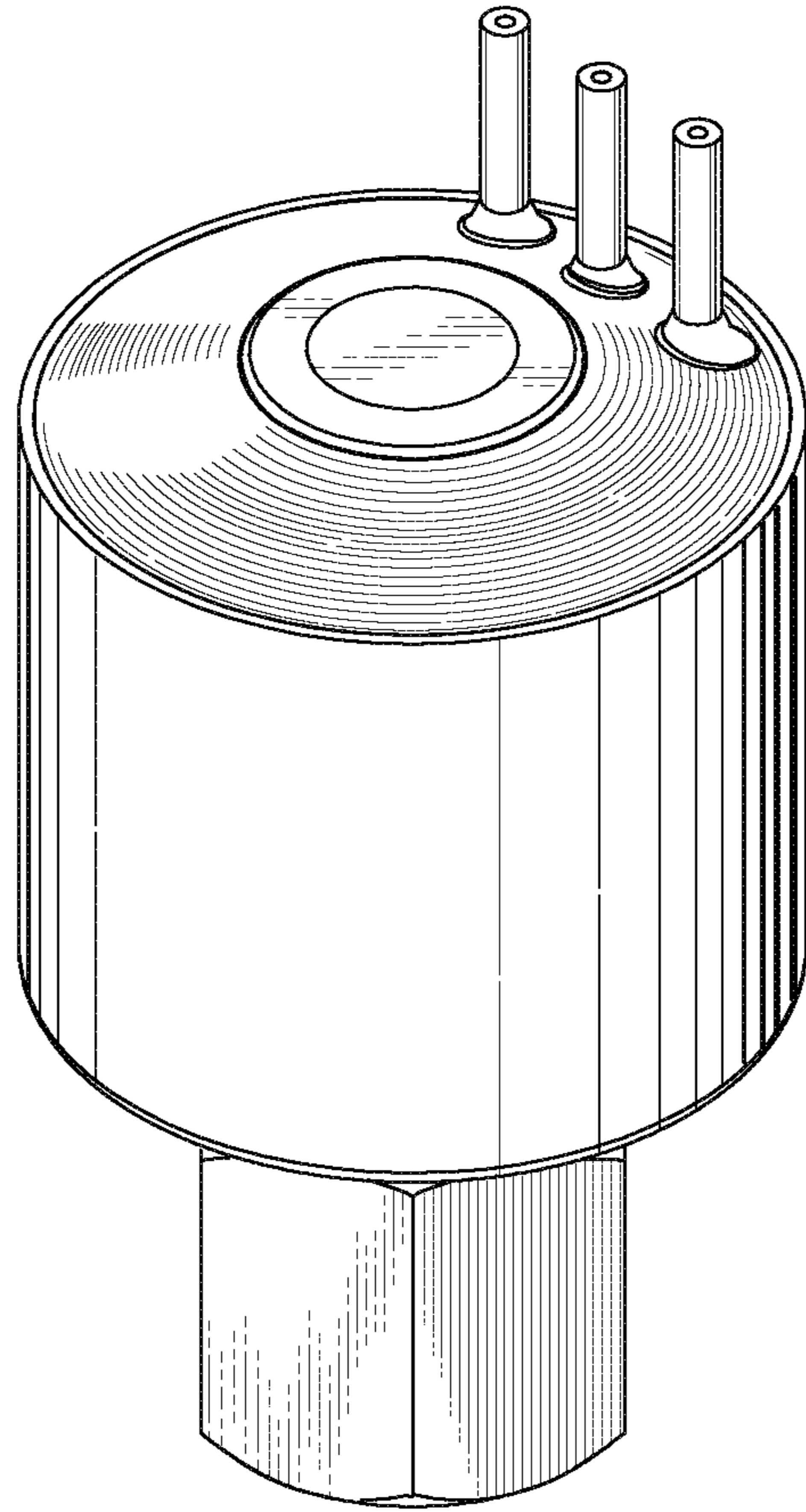


FIG. 7

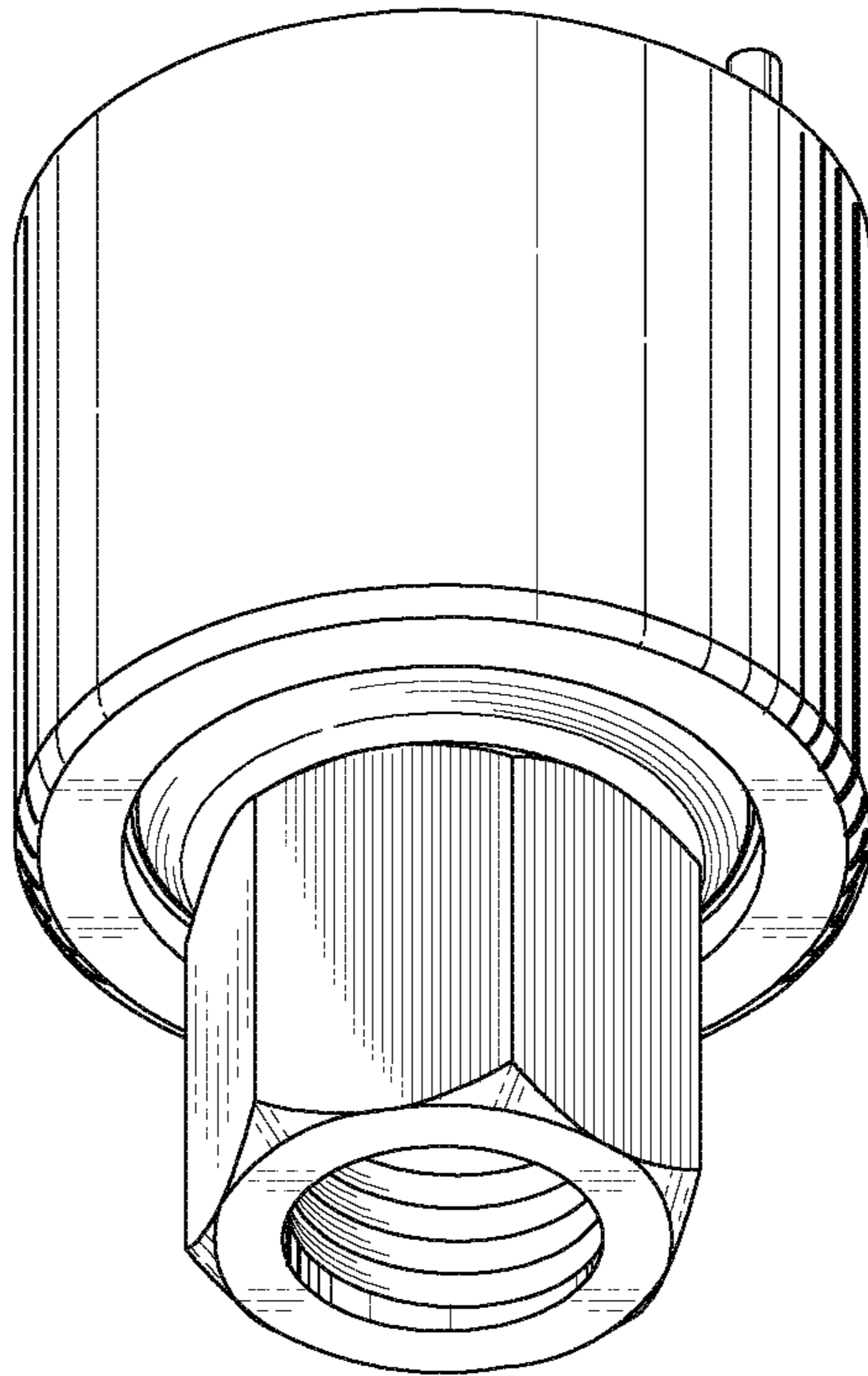


FIG. 8