



US00D815963S

(12) **United States Design Patent**
Nishio

(10) **Patent No.:** **US D815,963 S**
(45) **Date of Patent:** **** Apr. 24, 2018**

(54) **HUMAN DETECTION SENSOR**

(71) Applicant: **OMRON Corporation**, Kyoto-shi,
Kyoto (JP)

(72) Inventor: **Norikazu Nishio**, Takatsuki (JP)

(73) Assignee: **OMRON Corporation**, Kyoto (JP)

(**) Term: **15 Years**

(21) Appl. No.: **29/585,693**

(22) Filed: **Nov. 28, 2016**

(30) **Foreign Application Priority Data**

Jun. 1, 2016 (JP) 2016-011741

(51) **LOC (11) Cl.** **10-04**

(52) **U.S. Cl.**
USPC **D10/74; D10/103; D10/106.6**

(58) **Field of Classification Search**

USPC D10/70, 74, 103, 106.6, 106.7

CPC G08B 13/00; G08B 13/02; G08B 13/04;

G08B 13/06; G08B 13/08; G08B 13/10;

G08B 13/12; G08B 13/122; G08B

13/124; G08B 13/126; G08B 13/128;

G08B 13/14; G08B 13/1409; G08B

13/1418; G08B 13/1427; G08B 13/1436;

G08B 13/1445; G08B 13/1463; G08B

13/1472; G08B 13/1481; G08B 13/149;

G08B 13/16; G08B 13/1609; G08B

13/1618; G08B 13/1627; G08B 13/1636;

G08B 13/1645; G08B 13/1654; G08B

13/1663; G08B 13/1672; G08B 13/1681;

G08B 13/169; G08B 13/18; G08B

13/181; G08B 13/183; G08B 13/184;

G08B 13/186; G08B 13/187; G08B

13/189; G08B 13/1895; G08B 13/19;

G08B 13/191; G08B 13/193; G08B

13/194; G08B 13/196; G08B 13/19602;

G08B 13/19608; G08B 13/1961; G08B

13/19613; G08B 13/19615; G08B

13/19617; G08B 13/19619; G08B

13/19621; G08B 13/19623; G08B
13/19626; G08B 13/19628; G08B
13/1963; G08B 13/19632; G08B
13/19634; G08B 13/19636; G08B
13/19639; G08B 13/19641; G08B
13/19643; G08B 13/19645; G08B
13/19647; G08B 13/1965; G08B
13/19652; G08B 13/19654; G08B
13/19656; G08B 13/19658; G08B
13/1966; G08B 13/19663; G08B
13/19665; G08B 13/19667; G08B

(Continued)

(56) **References Cited**

U.S. PATENT DOCUMENTS

D567,121 S * 4/2008 Zhang D10/69

D657,275 S * 4/2012 Cowles D10/70

(Continued)

FOREIGN PATENT DOCUMENTS

JP 1528999 7/2015

Primary Examiner — Antoine Duval Davis

(74) *Attorney, Agent, or Firm* — Capitol City TechLaw

(57) **CLAIM**

The ornamental design for a human detection sensor, as shown and described.

DESCRIPTION

FIG. 1 is a front, top, and right side perspective view of a human detection sensor showing my new design;

FIG. 2 is a front view thereof;

FIG. 3 is a rear view thereof;

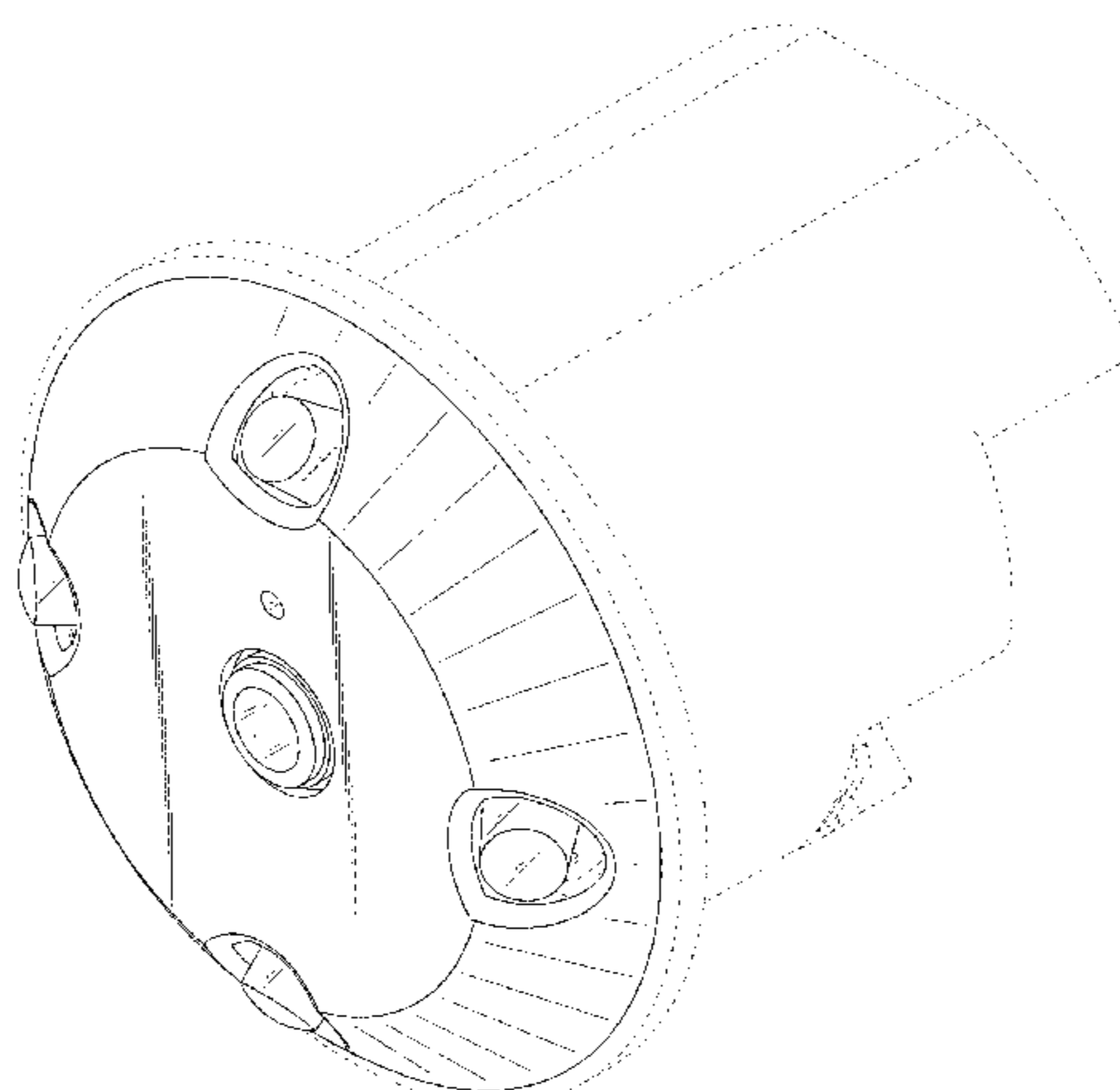
FIG. 4 is a left side view thereof;

FIG. 5 is a right side view thereof;

FIG. 6 is a top view thereof; and,

FIG. 7 is a bottom view thereof.

(Continued)



The broken lines shown in the figures illustrate portions of the human detection sensor that form no part of the claimed design.

1 Claim, 7 Drawing Sheets

(58) **Field of Classification Search**

CPC . 13/19669; G08B 13/19671; G08B 13/19673;
G08B 13/19676; G08B 13/19678; G08B
13/1968; G08B 13/19682; G08B
13/19684; G08B 13/19686; G08B
13/19689; G08B 13/19691; G08B
13/19693; G08B 13/19695; G08B
13/19697; G08B 13/20; G08B 13/22;
G08B 13/24; G08B 13/2402; G08B
13/2405; G08B 13/2408; G08B 13/2411;
G08B 13/2414; G08B 13/2417; G08B
13/242; G08B 13/2422; G08B 13/2425;

G08B 13/2428; G08B 13/2431; G08B
13/2434; G08B 13/2437; G08B 13/244;
G08B 13/2442; G08B 13/2445; G08B
13/2448; G08B 13/2451; G08B 13/2454;
G08B 13/2457; G08B 13/246; G08B
13/2462; G08B 13/2465; G08B 13/2468;
G08B 13/2471; G08B 13/2474; G08B
13/2477; G08B 13/248; G08B 13/2482;
G08B 13/2485; G08B 13/2488; G08B
13/2491; G08B 13/2492; G08B 13/2497;
G08B 13/26

See application file for complete search history.

(56)

References Cited

U.S. PATENT DOCUMENTS

D708,969 S * 7/2014 Ishii D10/65
D735,066 S * 7/2015 Otsuki D10/103

* cited by examiner

Fig. 1

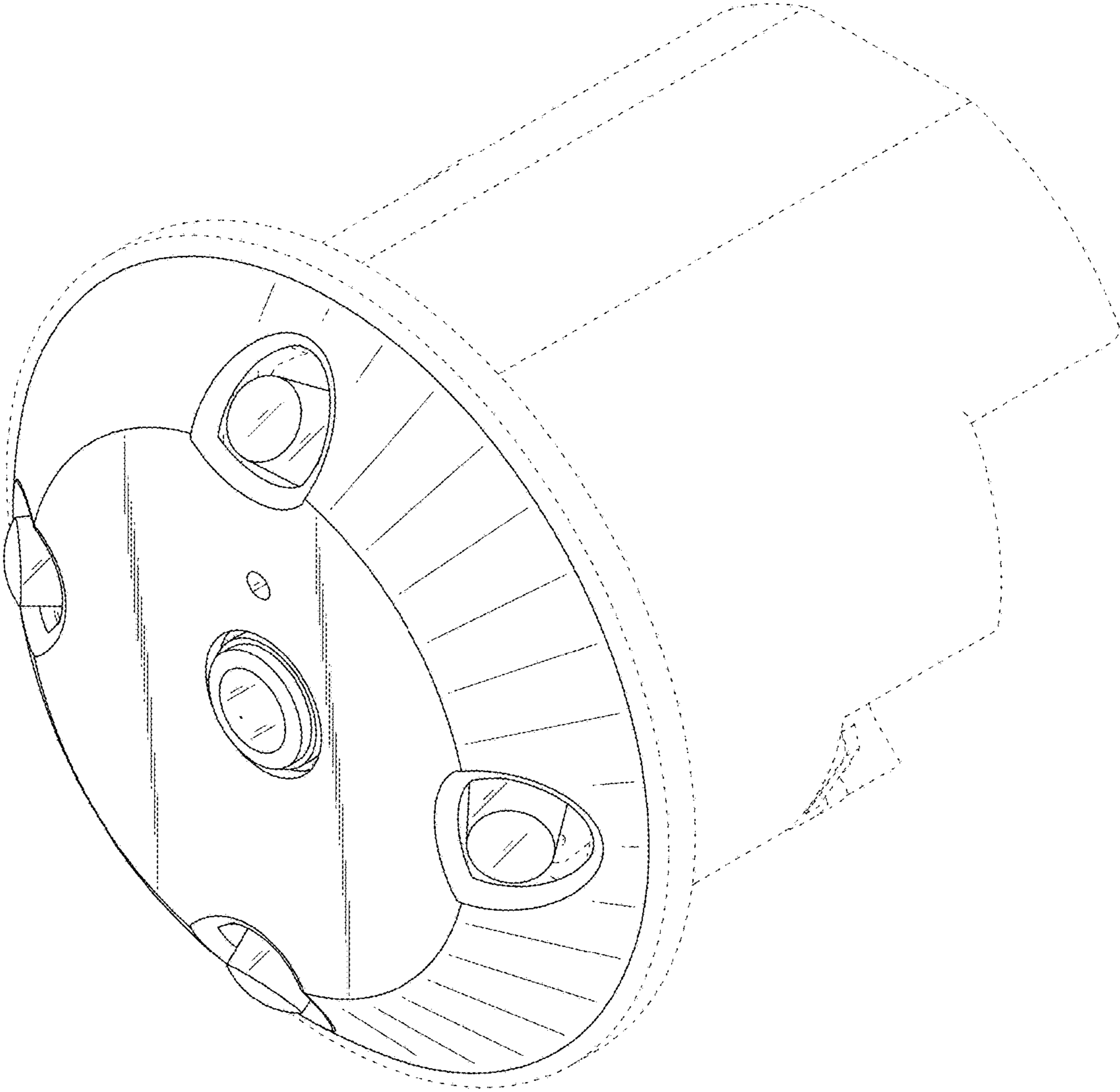


Fig. 2

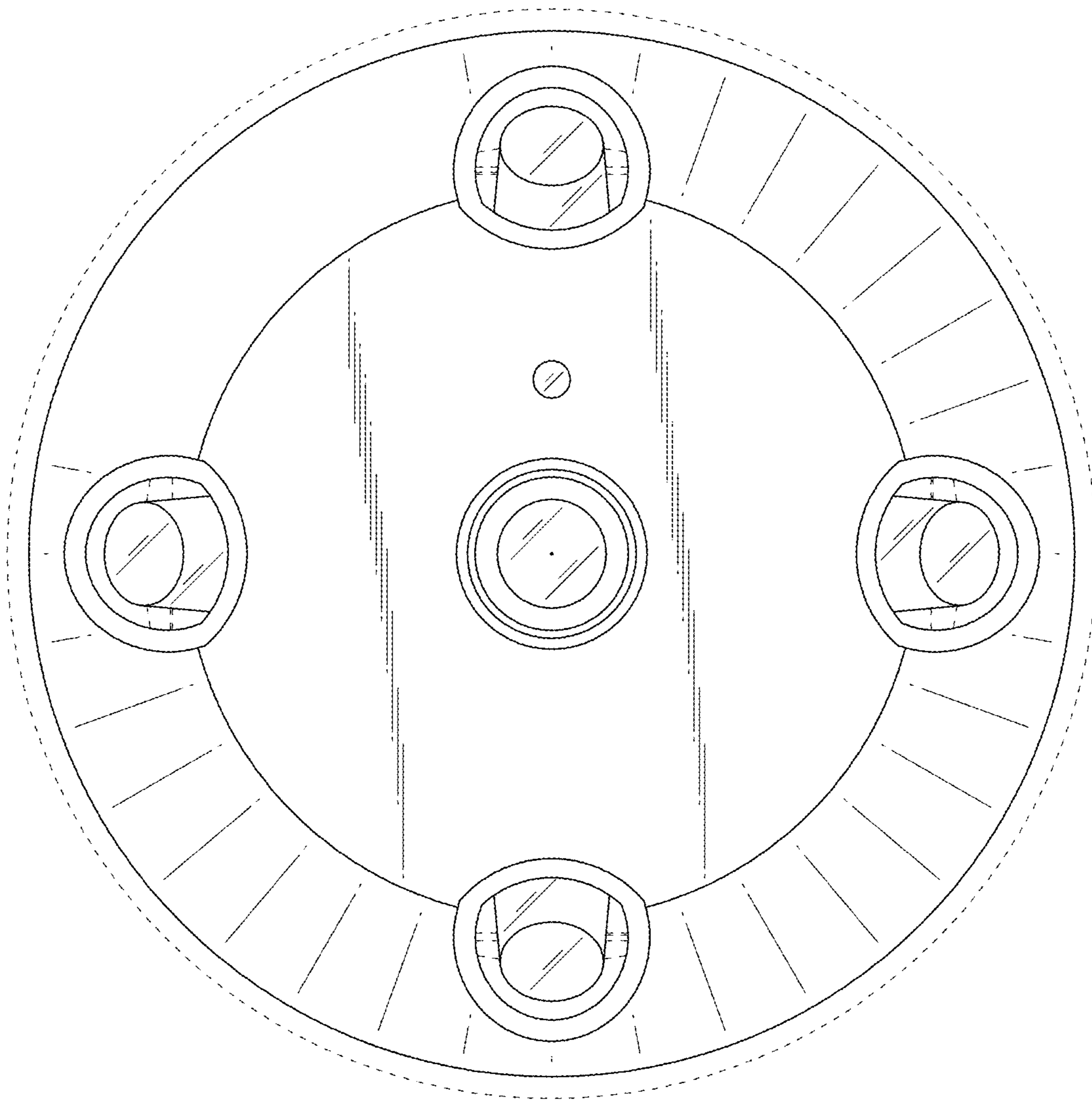


Fig. 3

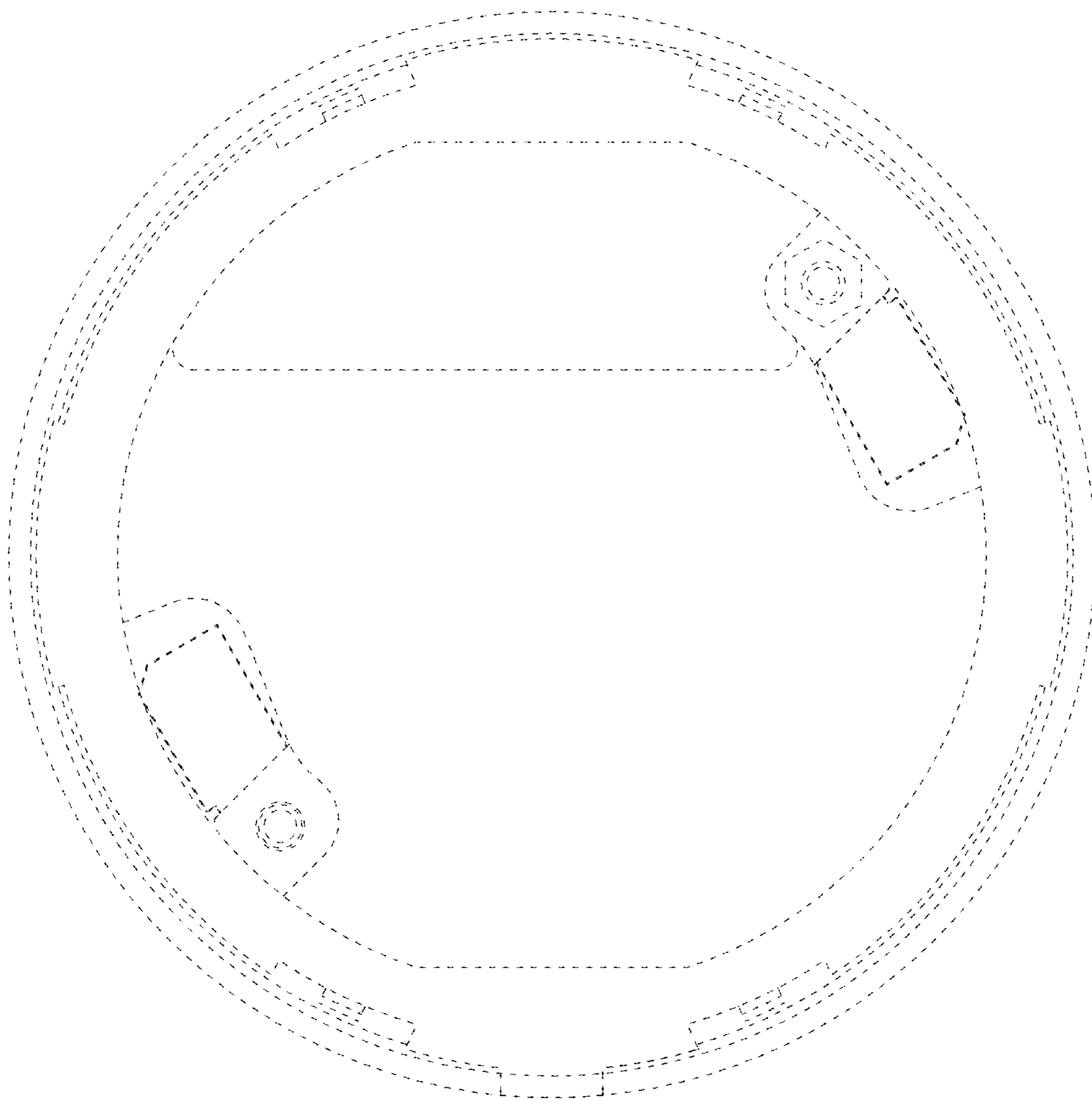


Fig. 4

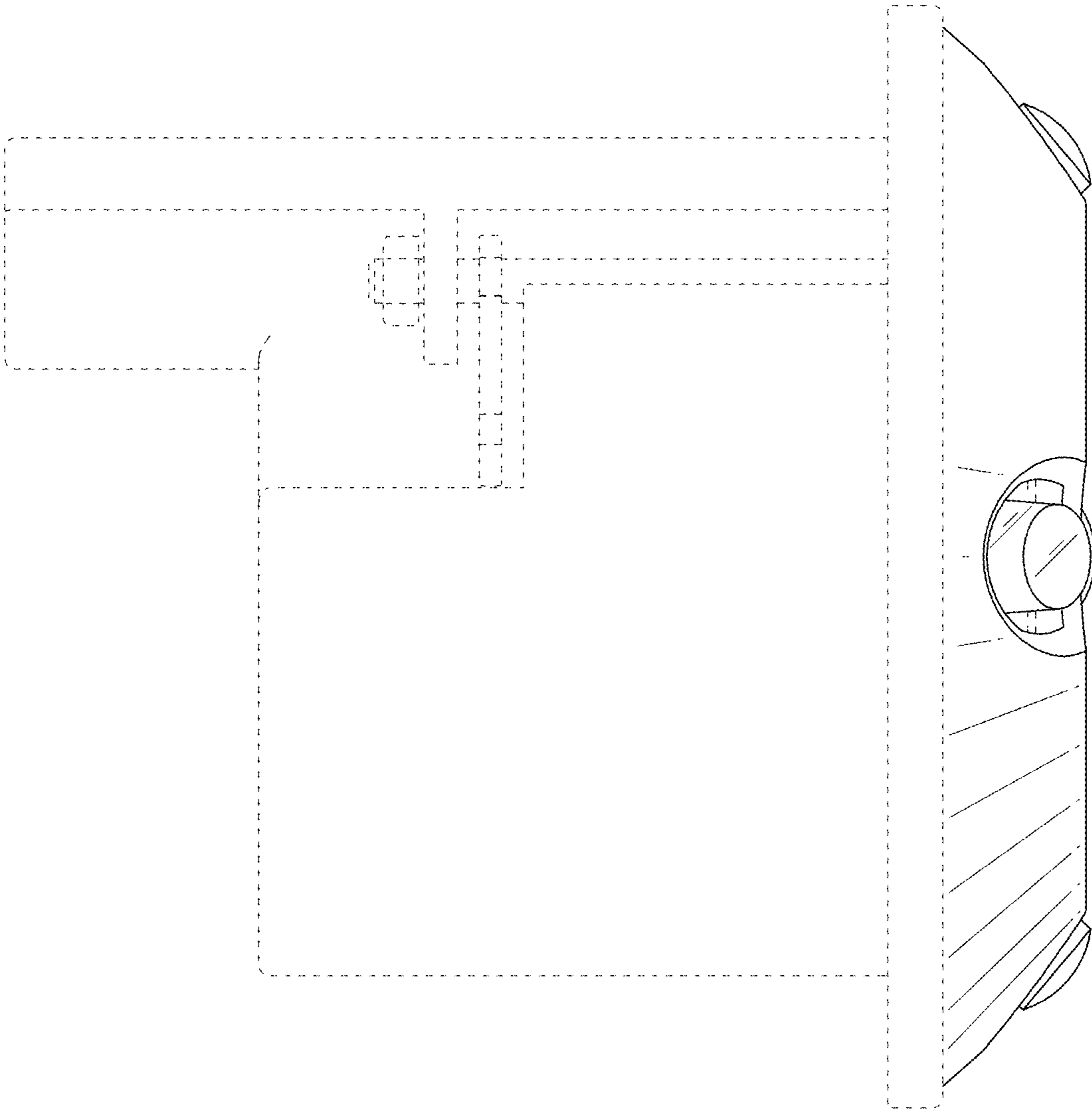


Fig. 5

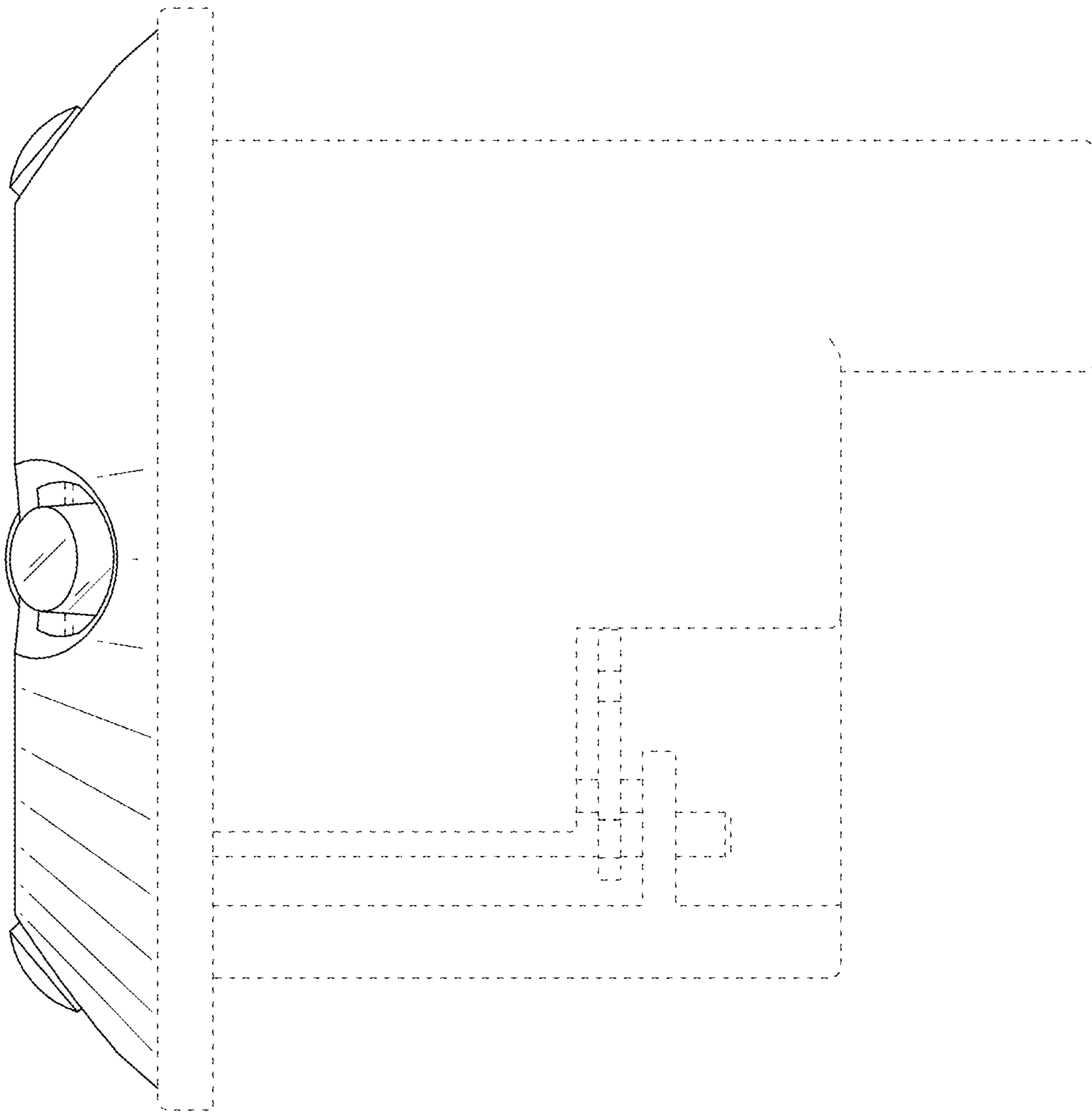


Fig. 6

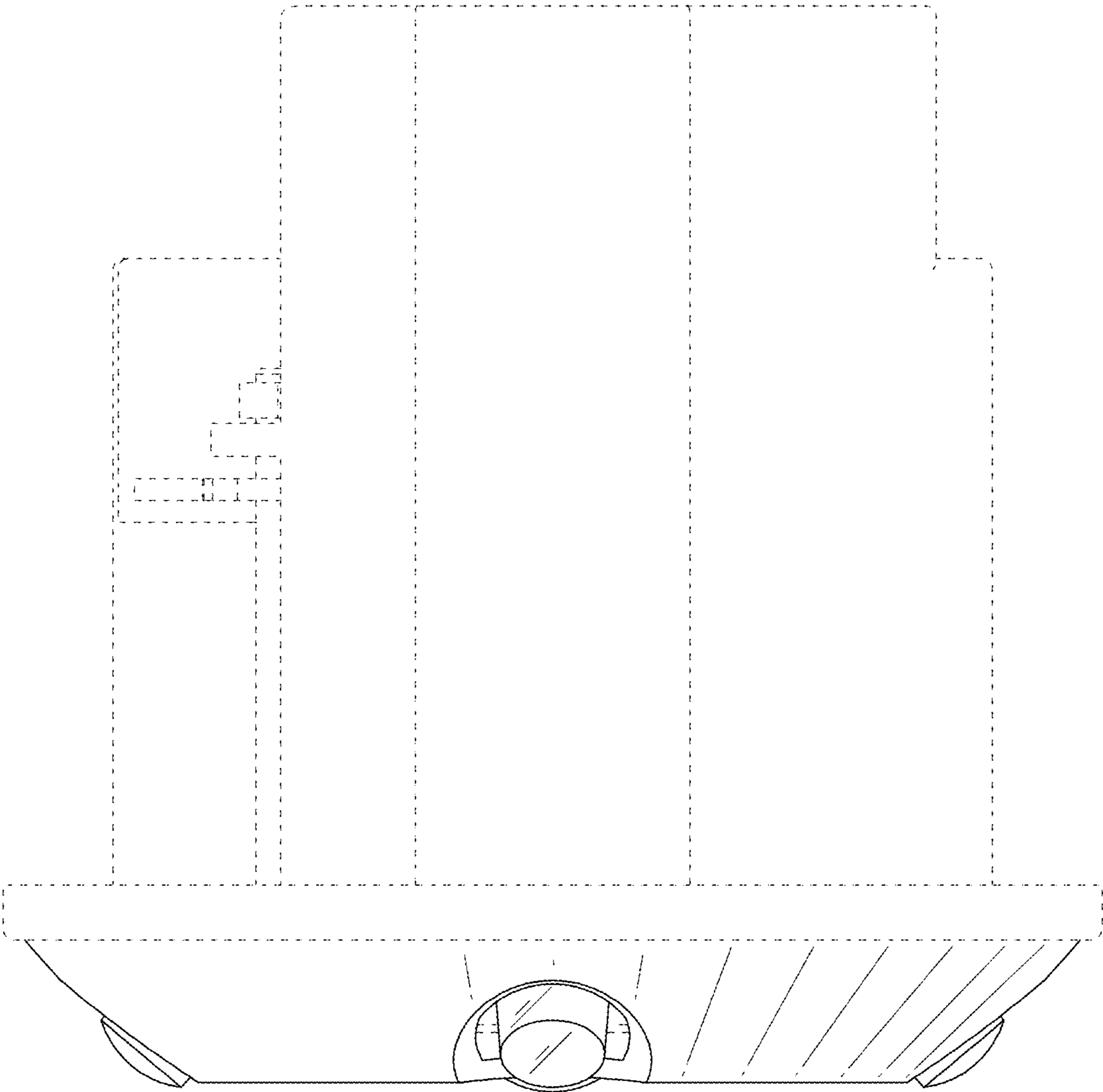


Fig. 7

