



US00D815957S

(12) **United States Design Patent** (10) **Patent No.:** **US D815,957 S**  
**Turvey et al.** (45) **Date of Patent:** **\*\* Apr. 24, 2018**

(54) **SLIDER BAG**

CPC ..... A44B 19/00; A44B 19/02; A44B 19/04;  
A44B 19/10; A44B 19/24; A44B 19/26;  
A44B 19/30; B65D 85/00; B65D 33/00;  
B65D 33/04; B65D 33/16; B65D 33/25  
See application file for complete search history.

(71) Applicant: **S.C. Johnson & Son, Inc.**, Racine, WI (US)

(72) Inventors: **Robert R. Turvey**, Sanford, MI (US); **Lawrence C. Stanos**, Midland, MI (US); **Matthew N. Thurin**, Wauwatosa, WI (US); **Bryan L. Ackerman**, Freeland, MI (US); **John White**, Roswell, GA (US); **Christina J. Korinda**, Midland, MI (US); **Scott D. Tomatz**, Franklin, WI (US); **Jim Strieter**, Waterford, WI (US); **David P. Mather**, Milwaukee, WI (US)

(73) Assignee: **S. C. Johnson & Son, Inc.**, Racine, WI (US)

(\*\*) Term: **15 Years**

(21) Appl. No.: **29/549,047**

(22) Filed: **Dec. 18, 2015**

**Related U.S. Application Data**

(63) Continuation-in-part of application No. 14/744,724, filed on Jun. 19, 2015, now Pat. No. 9,516,927, and a continuation-in-part of application No. 14/744,742, filed on Jun. 19, 2015, and a continuation-in-part of application No. 14/744,556, filed on Jun. 19, 2015.

(51) **LOC (11) Cl.** ..... **09-05**

(52) **U.S. Cl.**  
USPC ..... **D9/705**

(58) **Field of Classification Search**  
USPC ..... D9/702-714, 499, 443, 435, 434, 415;  
D24/118, 121; 426/106; 383/61.1, 42,  
383/119, 108, 103, 106, 120, 127, 64;  
222/92, 107, 215; 220/666; 211/85.15;  
206/406, 811, 484, 260; 428/35.2;  
D3/203.1, 203.2, 303; 24/415, 400,  
24/381-383, 585.12; 2/265

(56) **References Cited**

U.S. PATENT DOCUMENTS

D114,269 S	4/1939	Poux	
D252,896 S *	9/1979	Jovin	24/410
D422,909 S	4/2000	Smith et al.	
D439,866 S	4/2001	Savicki, Sr.	
D467,523 S *	12/2002	Lin	D11/221
D469,421 S *	1/2003	Stickles	D14/204
D475,655 S *	6/2003	Savici, Sr.	D11/221
D490,706 S	6/2004	Smith et al.	
D498,176 S *	11/2004	Ichikawa	D11/221
D502,390 S *	3/2005	Ouchi	D9/705

(Continued)

*Primary Examiner* — Abraham Bahta

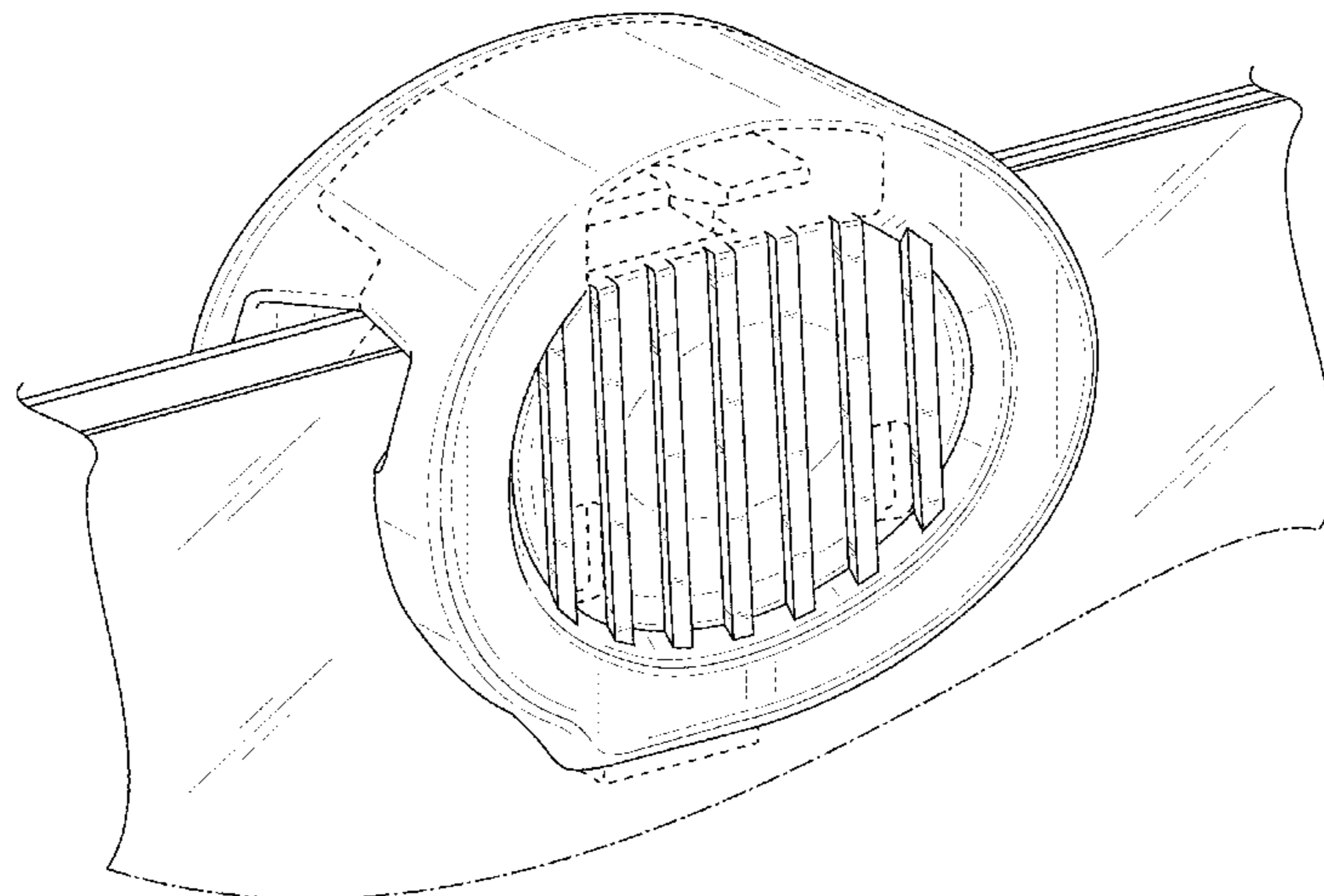
(57) **CLAIM**

The ornamental design for a slider bag, as shown and described.

**DESCRIPTION**

FIG. 1 is a top perspective view of the slider bag showing our new design;  
FIG. 2 is a front view thereof;  
FIG. 3 is a rear view thereof;  
FIG. 4 is a right side view thereof;  
FIG. 5 is a left side view thereof;  
FIG. 6 is a top view thereof; and,  
FIG. 7 is a bottom view thereof.  
The broken lines shown in the drawings illustrate portions of the design that form no part of the claim. The dot-dash lines show unclaimed boundaries and form no part of the claim.

**1 Claim, 6 Drawing Sheets**



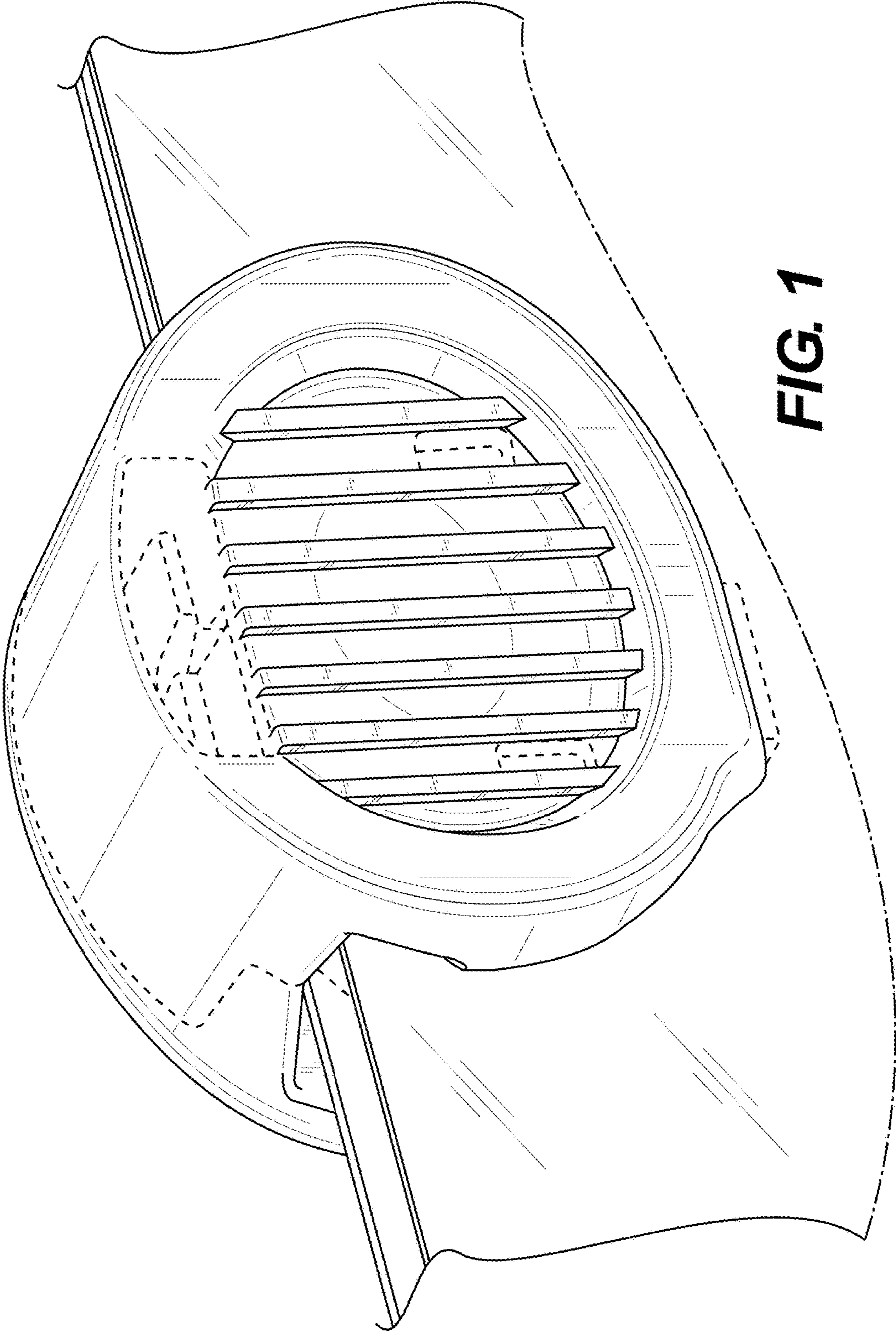
(56)

**References Cited**

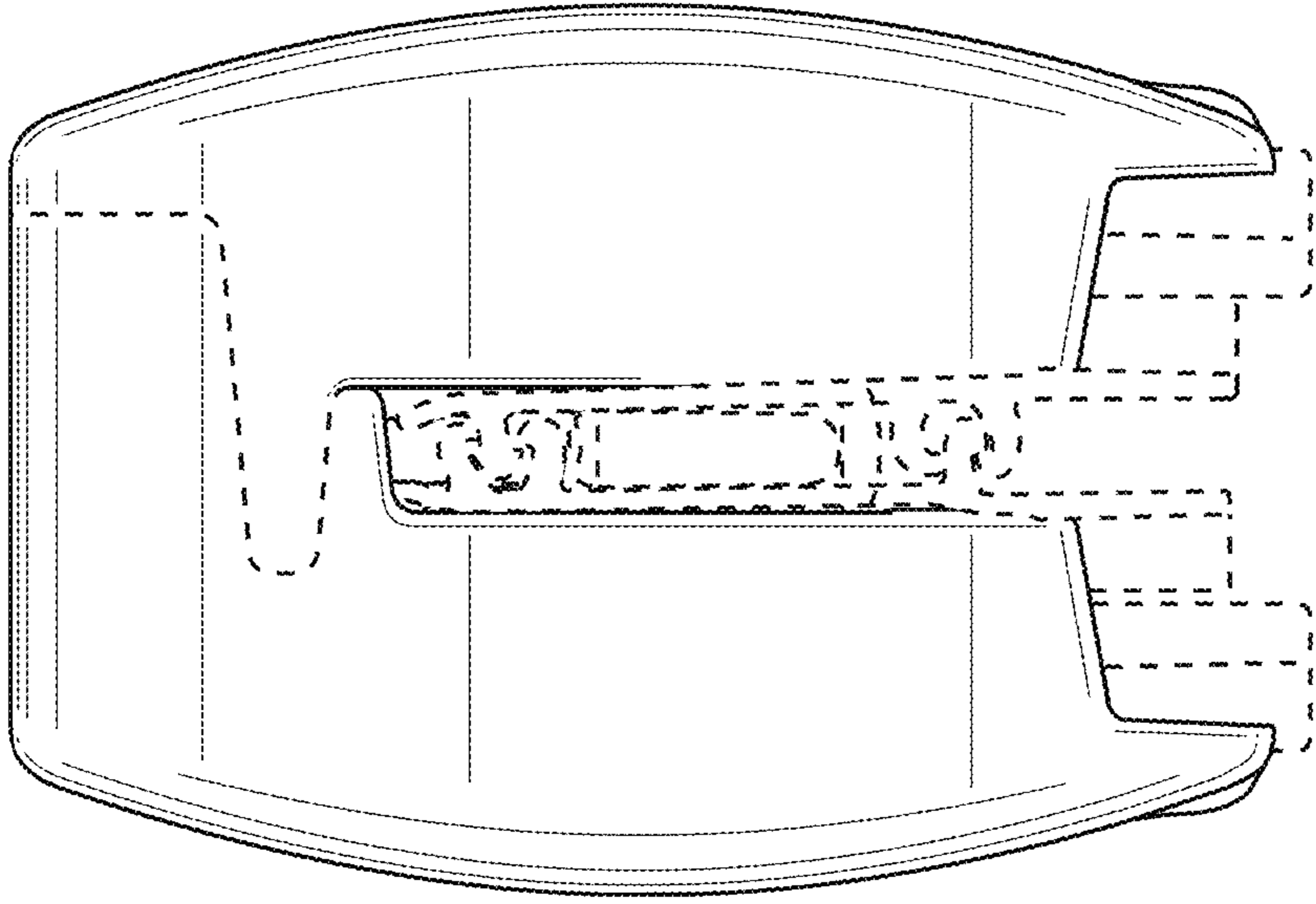
U.S. PATENT DOCUMENTS

D517,948 S	*	3/2006	Schreiter .....	D11/221
D520,870 S		5/2006	Withers	
D525,122 S		7/2006	Turvey	
7,287,904 B2		10/2007	Withers	
2006/0168777 A1		8/2006	Turvey et al.	

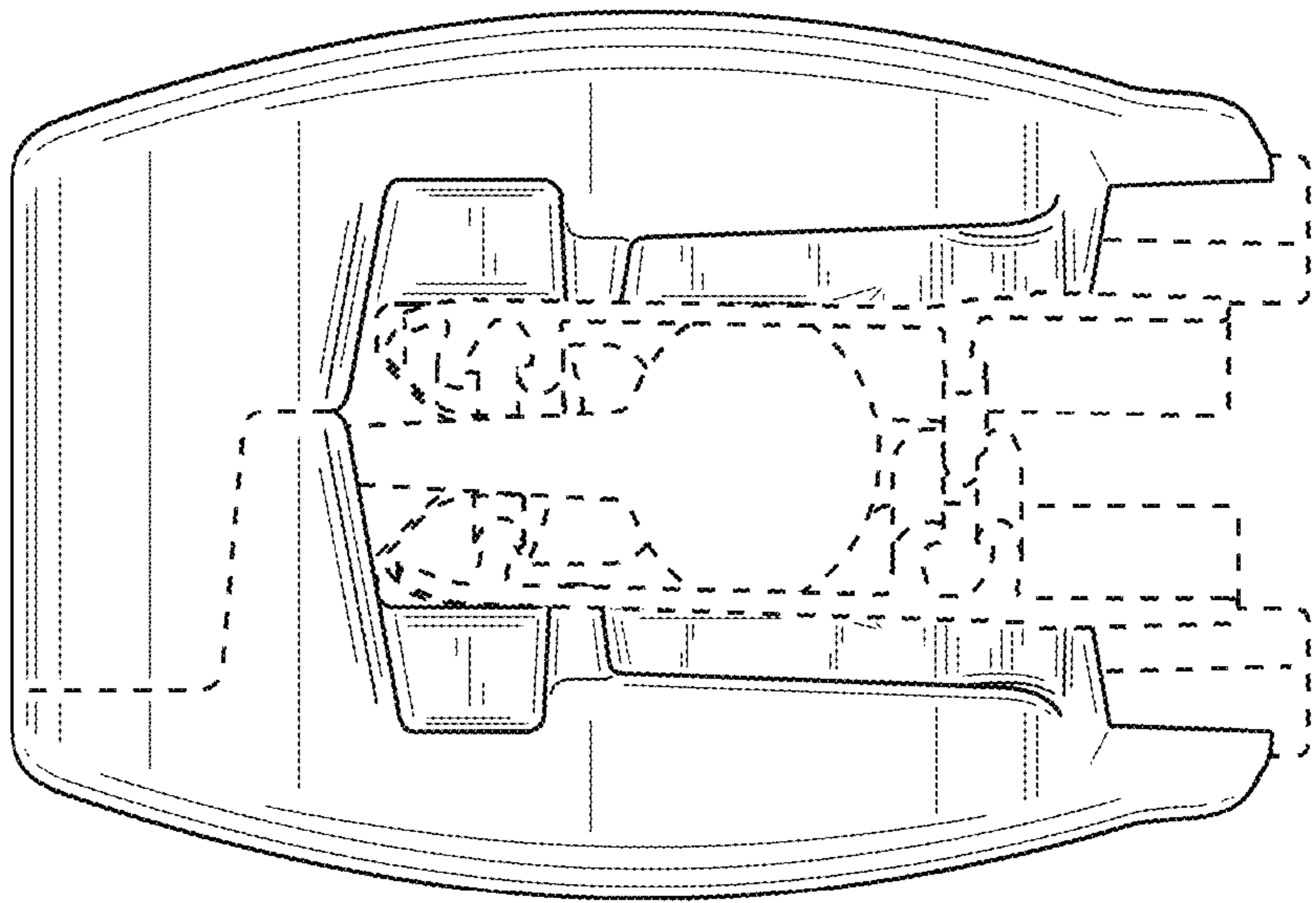
\* cited by examiner



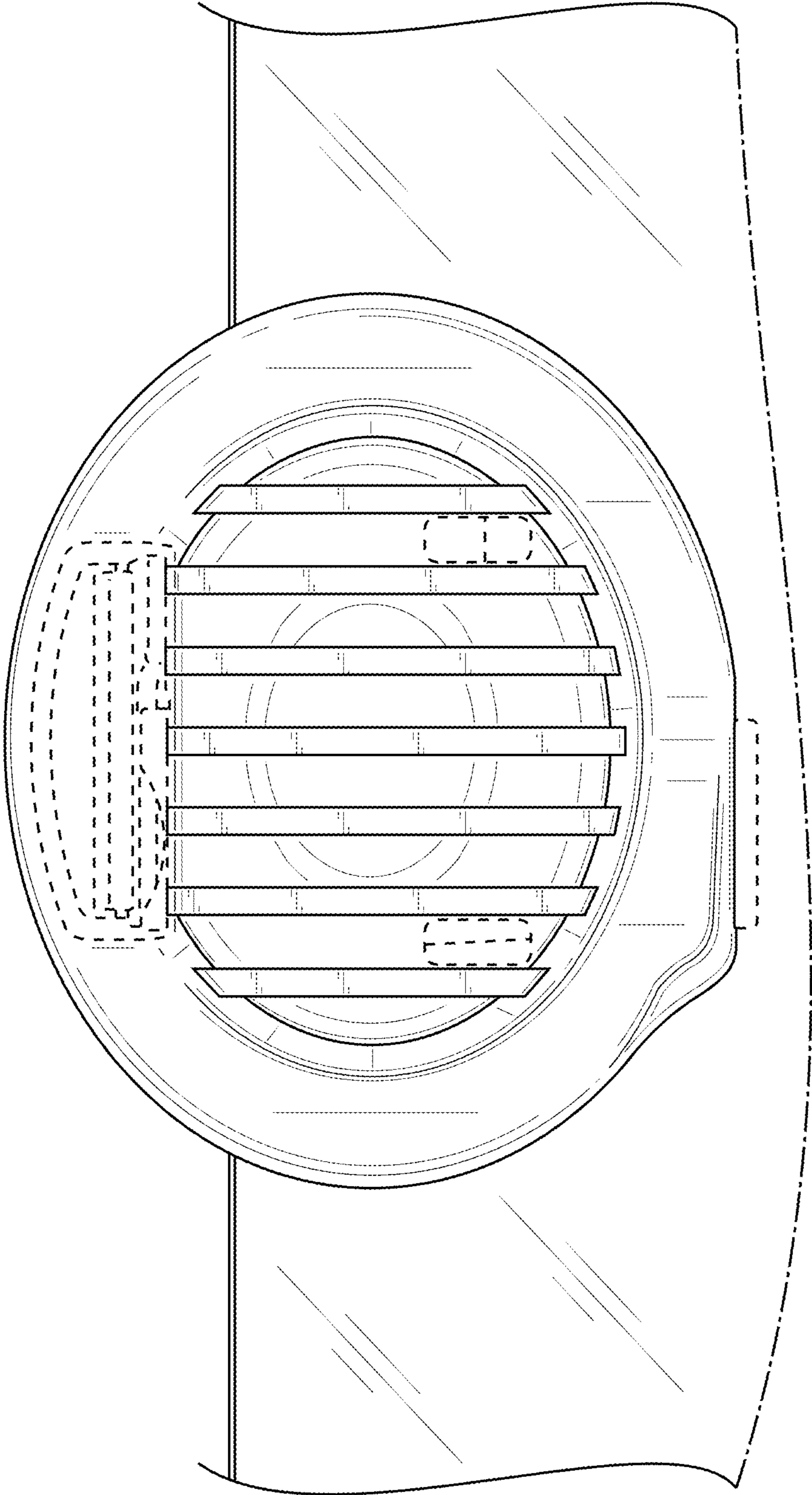
**FIG. 1**



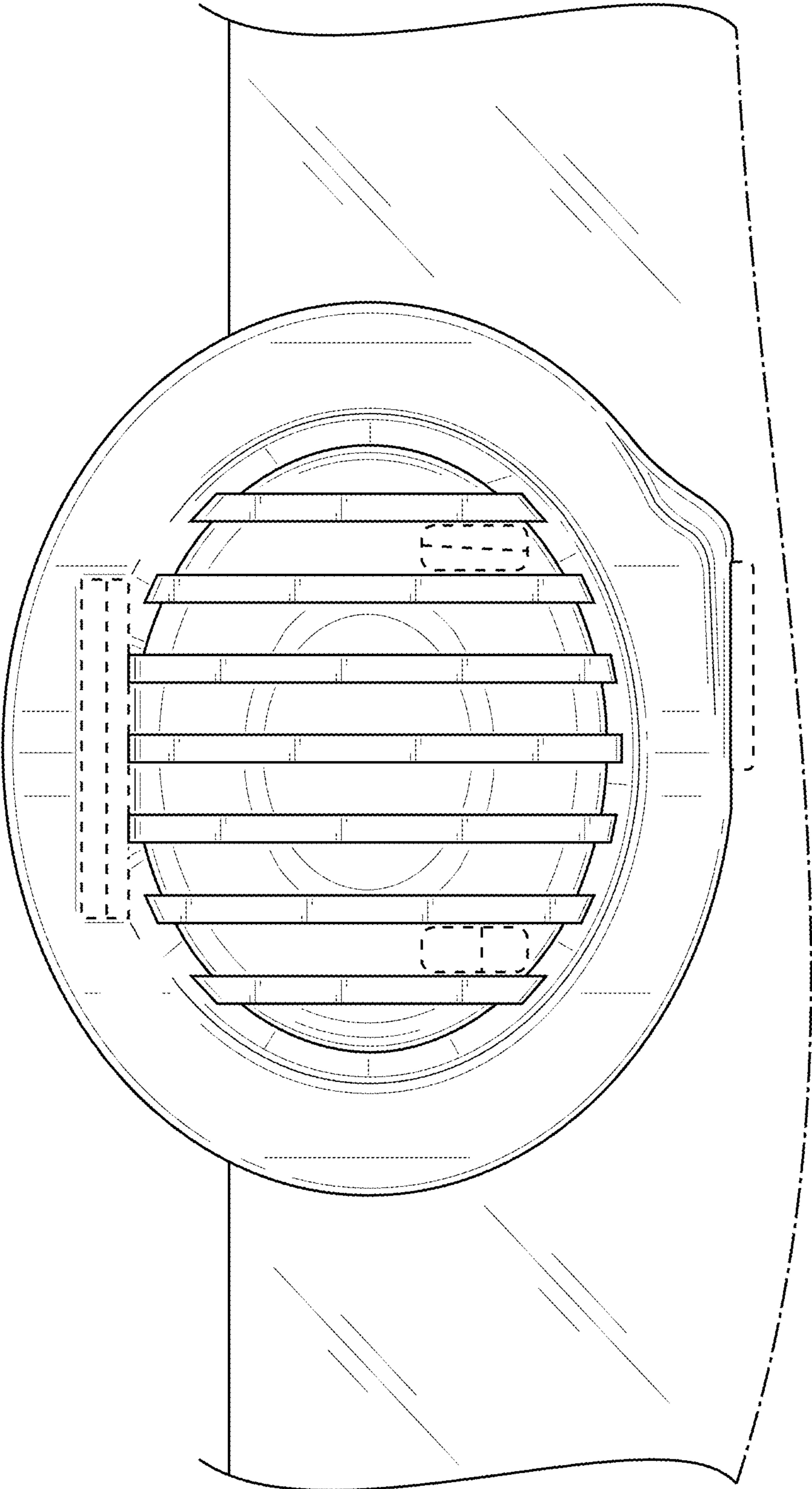
**FIG. 3**



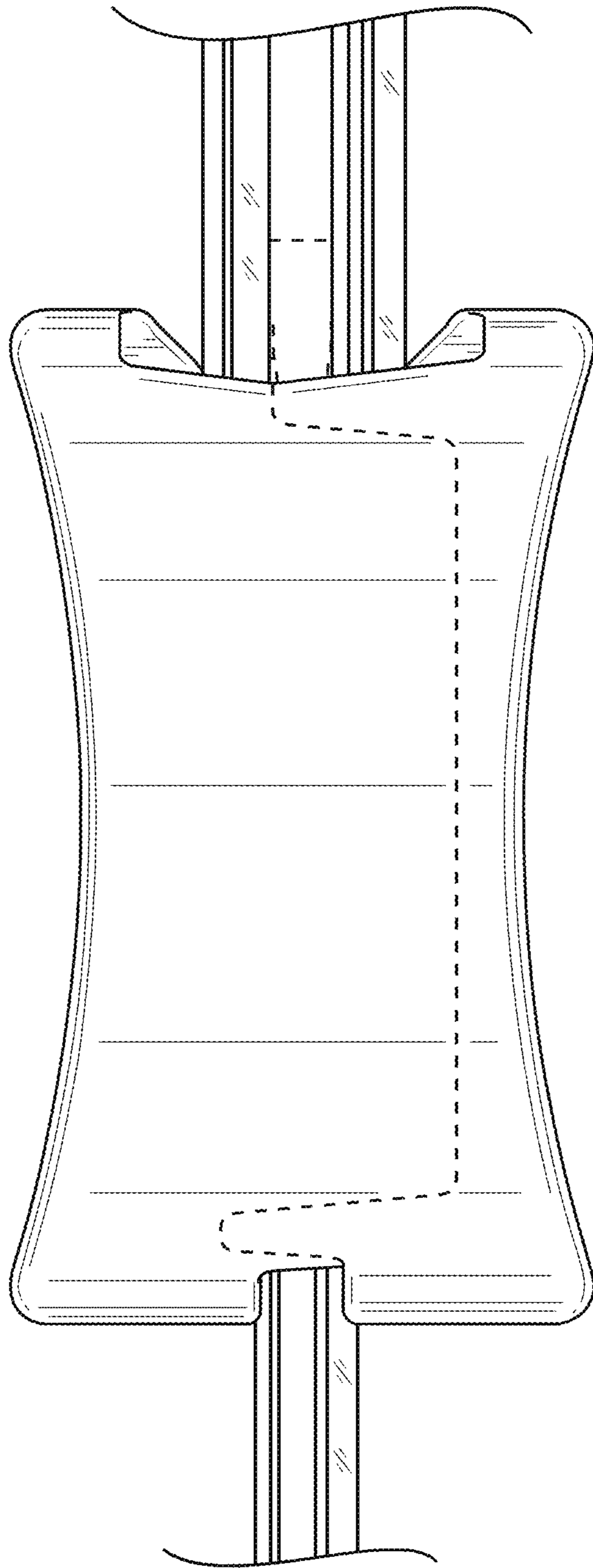
**FIG. 2**



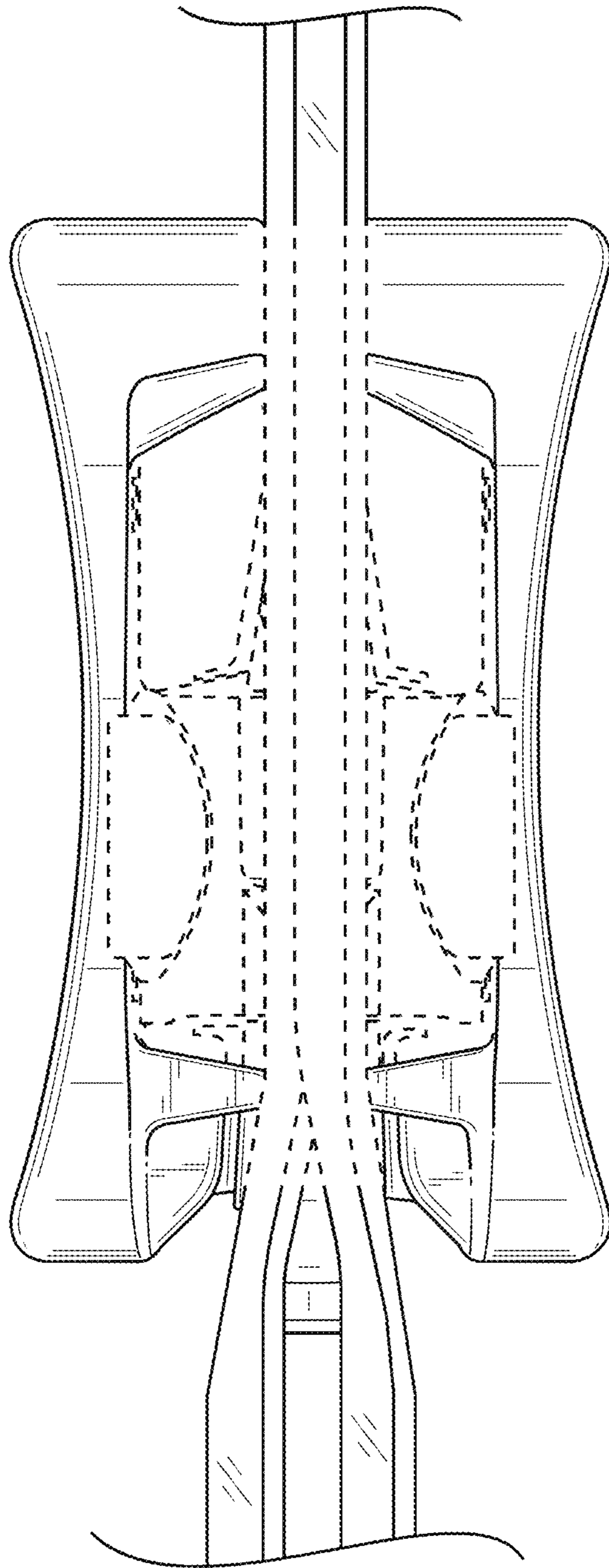
**FIG. 4**



**FIG. 5**



**FIG. 6**



**FIG. 7**