



US00D815951S

(12) **United States Design Patent**  
**Solovy**

(10) **Patent No.:** **US D815,951 S**

(45) **Date of Patent:** **\*\* Apr. 24, 2018**

(54) **BOTTLE**

(71) Applicant: **Stratus Group LLC**, Vernon, CA (US)

(72) Inventor: **Josh Solovy**, Los Angeles, CA (US)

(\*\*) Term: **15 Years**

(21) Appl. No.: **29/585,188**

(22) Filed: **Nov. 21, 2016**

(51) **LOC (11) Cl.** ..... **09-01**

(52) **U.S. Cl.**  
USPC ..... **D9/558**

(58) **Field of Classification Search**

USPC ..... D9/516, 519, 520, 521, 527, 528, 529,  
D9/530, 531, 533, 540, 542, 544, 550,  
D9/553, 556, 557, 558, 559, 563, 564,  
D9/565, 566, 567, 545, 536, 537, 538,  
D9/539, 541, 543, 522; D3/202, 203.1,  
D3/205; D4/114; D6/515, 542; D7/300,  
D7/300.1, 598

CPC ..... B65D 2501/0009; B65D 2501/00; B65D  
23/00; B65D 1/0223; B65D 1/00; B65D  
1/02

See application file for complete search history.

(56) **References Cited**

**U.S. PATENT DOCUMENTS**

D249,330 S \* 9/1978 Pigeon ..... D9/500  
D300,511 S \* 4/1989 Cramer ..... D9/551  
D306,262 S \* 2/1990 Bit ..... D9/502  
D379,306 S \* 5/1997 Peykoff ..... D9/502  
D424,948 S \* 5/2000 Ullmo ..... D9/540  
D561,595 S \* 2/2008 Le Bras-Brown ..... D9/500

D587,582 S \* 3/2009 Matsuoka ..... D9/516  
D592,967 S \* 5/2009 Melrose ..... D9/556  
D609,570 S \* 2/2010 Suchenski ..... D9/500  
D611,822 S \* 3/2010 Rajani ..... D9/520  
D628,074 S \* 11/2010 Mero ..... D9/520  
D643,729 S \* 8/2011 Lovelace, Jr. .... D9/538  
D646,169 S \* 10/2011 Bretz ..... D9/520  
D652,732 S \* 1/2012 Oommen ..... D9/538  
D652,733 S \* 1/2012 Oommen ..... D9/538  
D657,683 S \* 4/2012 Oommen ..... D9/520  
D658,065 S \* 4/2012 Oommen ..... D9/520  
D747,209 S \* 1/2016 Barel ..... D9/538  
D747,971 S \* 1/2016 Peacock ..... D9/563  
D752,440 S \* 3/2016 Fleischhacker ..... D9/500  
D757,556 S \* 5/2016 Lesueur ..... D9/520  
D783,406 S \* 4/2017 Melrose ..... D9/516  
2015/0034660 A1 \* 2/2015 Barel ..... B65D 1/44  
220/608

\* cited by examiner

*Primary Examiner* — Caron D Veynar

*Assistant Examiner* — Katrina N Gonzalez

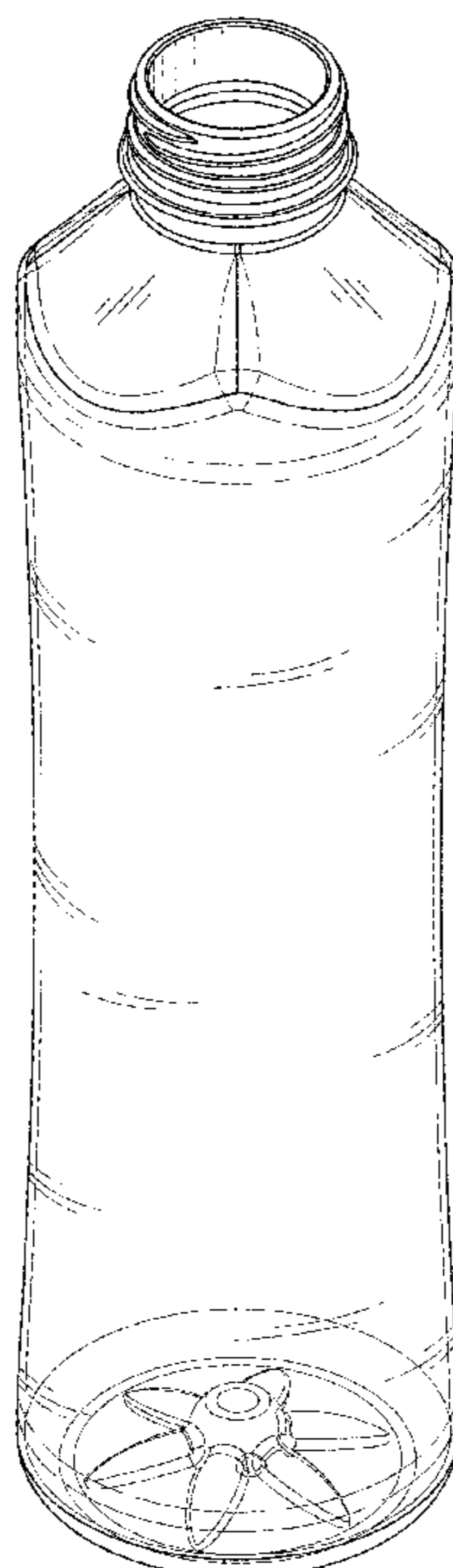
(57) **CLAIM**

The ornamental design for a bottle, as shown and described.

**DESCRIPTION**

FIG. 1 is a perspective view of a bottle showing my new design;  
FIG. 2 is a top plan view thereof;  
FIG. 3 is a bottom plan view thereof; and  
FIG. 4 is a front view thereof;  
FIG. 5 is a right side view thereof;  
FIG. 6 is a rear view thereof; and,  
FIG. 7 is a left side view thereof.

**1 Claim, 3 Drawing Sheets**



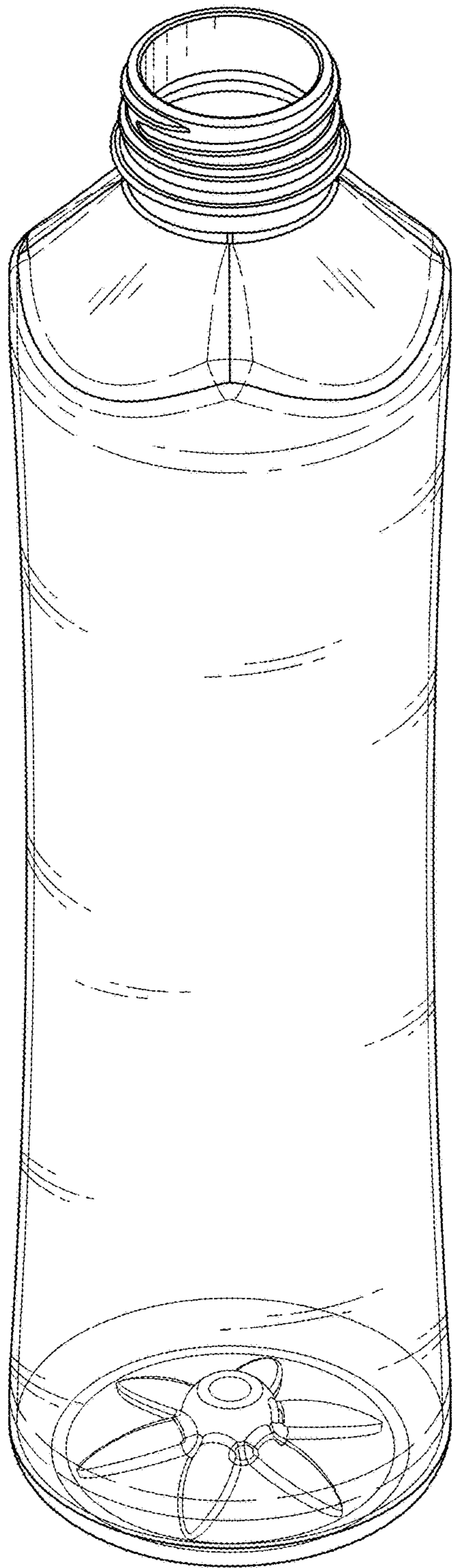


FIG. 1

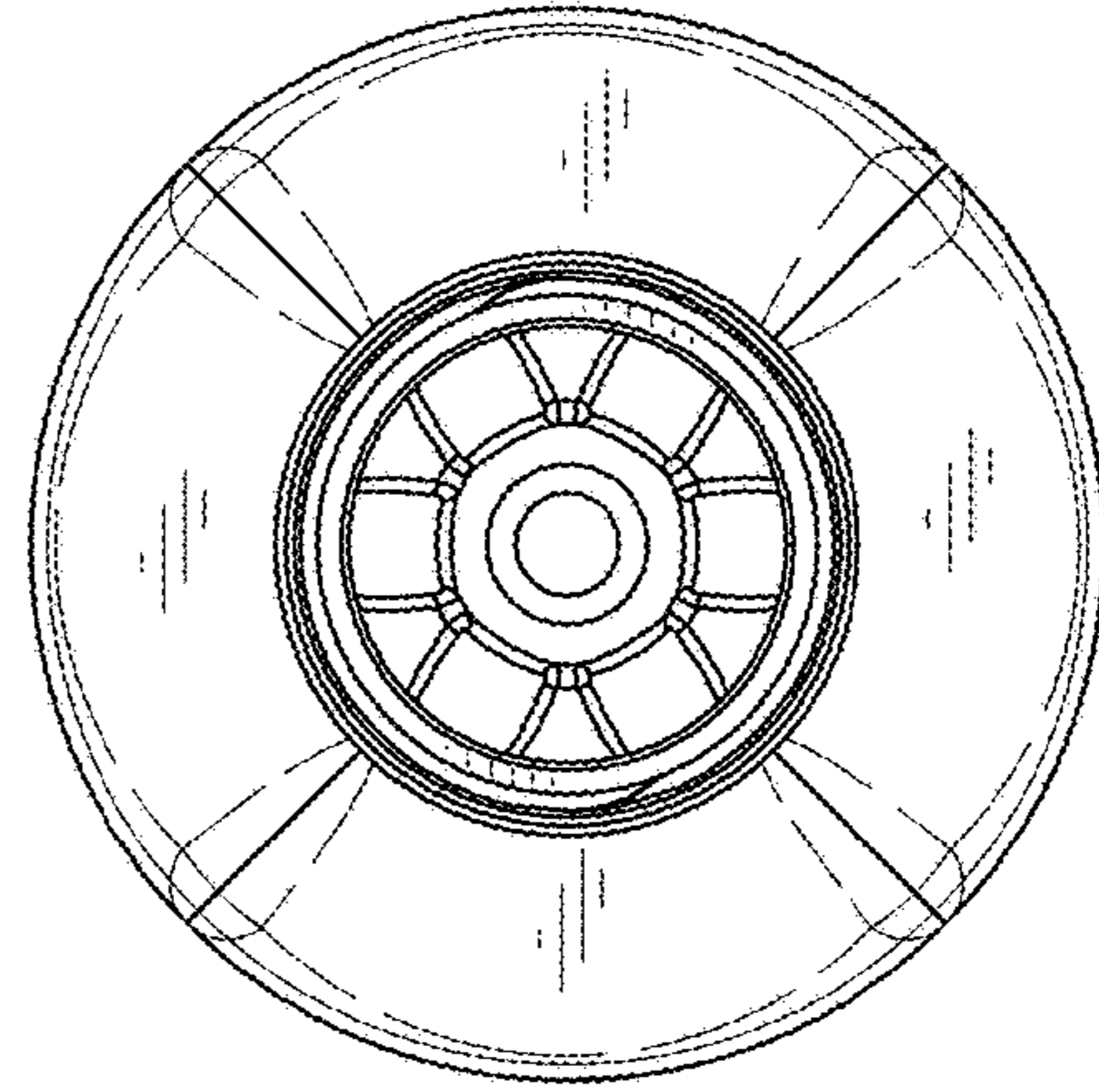


FIG. 2

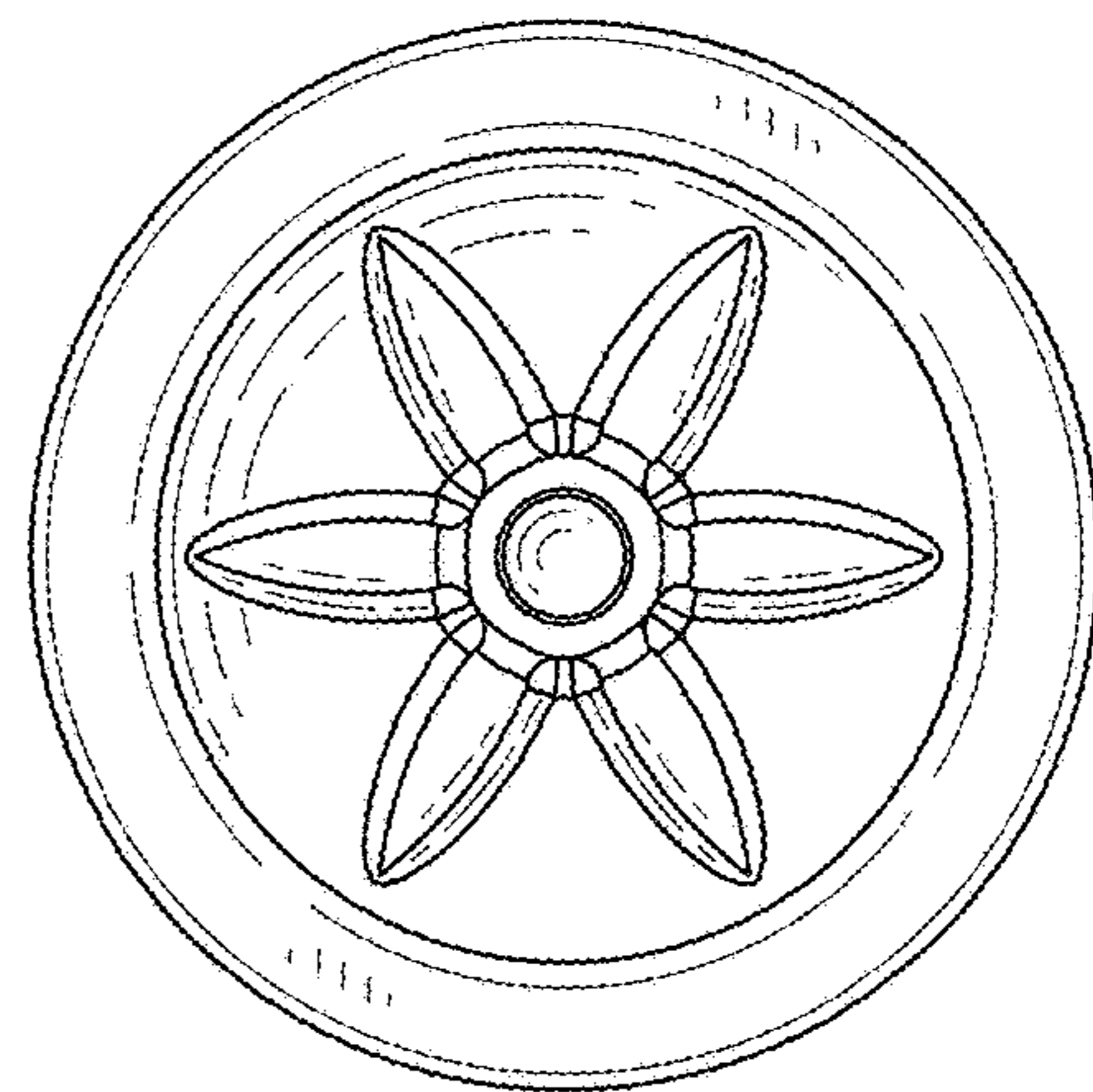


FIG. 3

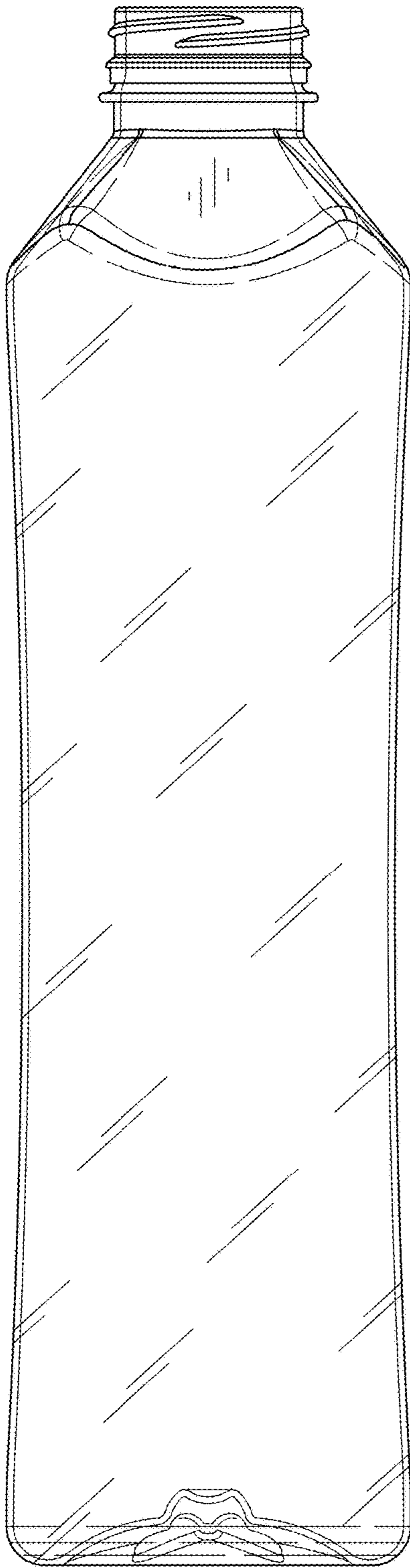


FIG. 4

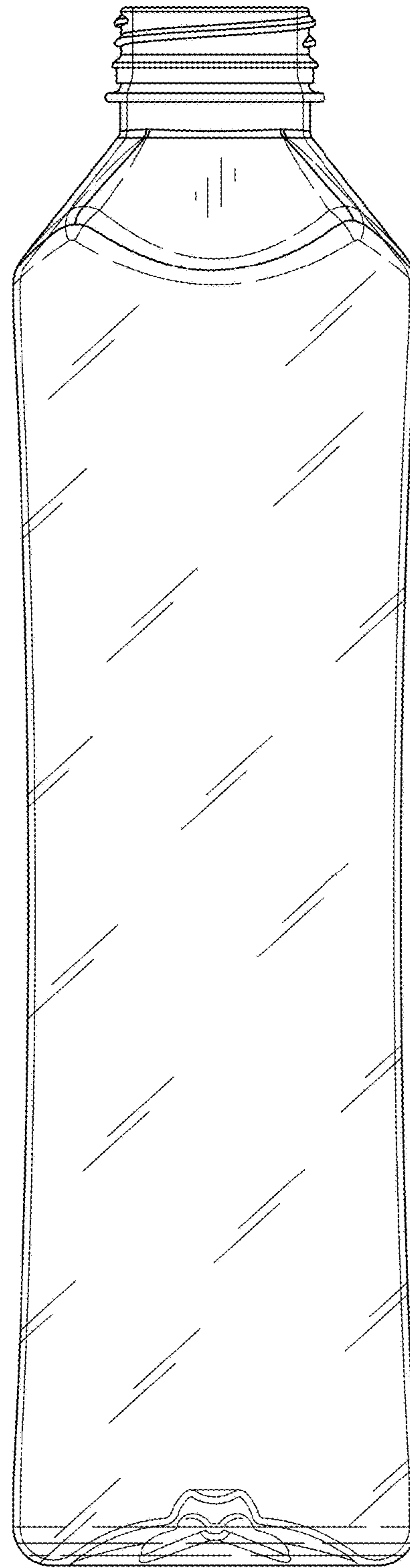


FIG. 5

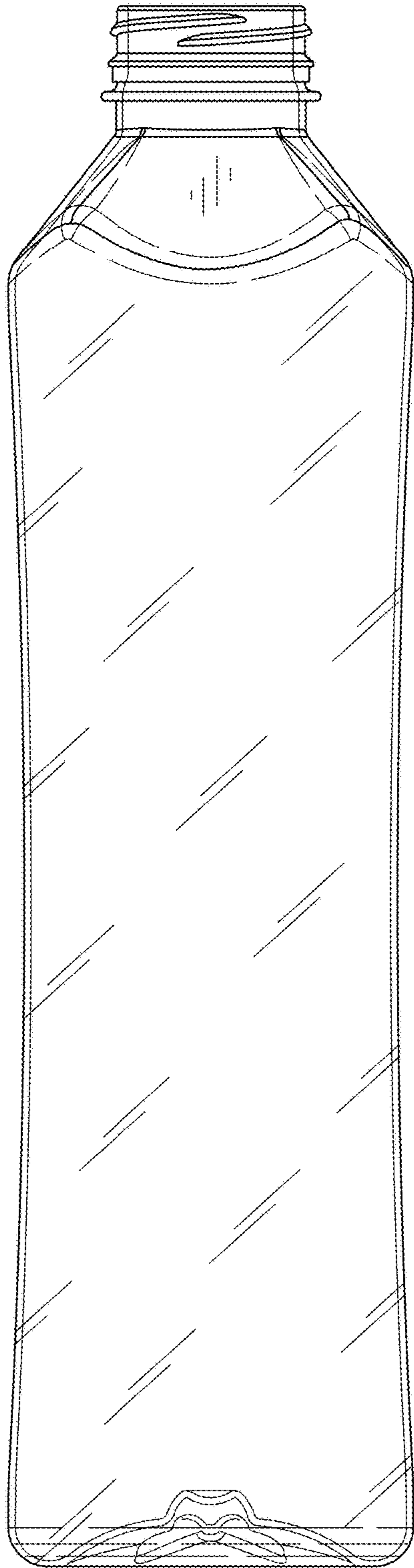


FIG. 6

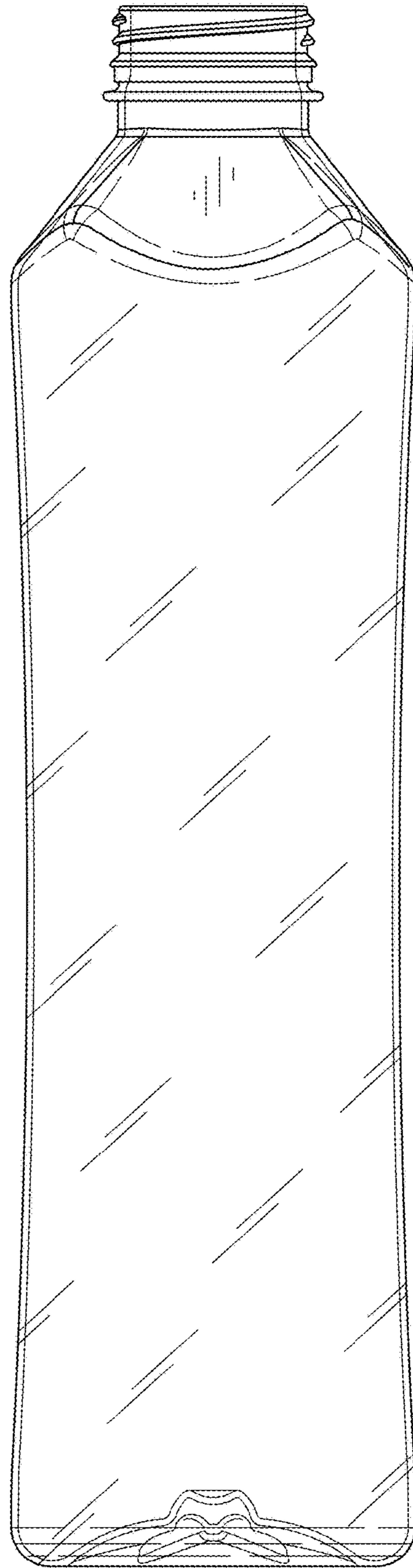


FIG. 7