



US00D815948S

(12) **United States Design Patent** (10) **Patent No.:** **US D815,948 S**  
**McCarney** (45) **Date of Patent:** **\*\* Apr. 24, 2018**

(54) **CONTAINER**

(71) Applicant: **Kellogg Company**, Battle Creek, MI (US)

(72) Inventor: **Jonathan McCarney**, Kalamazoo, MI (US)

(73) Assignee: **Kellogg Company**, Battle Creek, MI (US)

(\*\*) Term: **15 Years**

(21) Appl. No.: **29/571,721**

(22) Filed: **Jul. 21, 2016**

(51) **LOC (11) Cl.** ..... **09-01**

(52) **U.S. Cl.**  
USPC ..... **D9/502**

(58) **Field of Classification Search**  
USPC ..... D9/500, 502–503, 516, 530, 537–540, D9/549, 557–558, 715, 719  
CPC ..... B65D 1/00; B65D 1/02; B65D 1/0223; B65D 23/00; B65D 81/00; B65D 2501/00; B65D 2501/0009  
See application file for complete search history.

(56) **References Cited**

U.S. PATENT DOCUMENTS

D538,658 S *	3/2007	Horne .....	D9/502
D545,194 S	6/2007	Goudsblom	
D571,214 S	6/2008	Caszatt	
D608,203 S	1/2010	Yourist	
D610,011 S	2/2010	Pieretti	
D611,349 S *	3/2010	Shah .....	D9/516
D613,166 S	4/2010	Bentley	
D613,167 S *	4/2010	Stoffers .....	D9/502
D642,471 S	8/2011	White et al.	
D653,951 S	2/2012	Scott	

D667,306 S	9/2012	Verea	
D682,700 S *	5/2013	White .....	D9/538
D689,375 S	9/2013	Garner	
8,596,479 B2	12/2013	Simon et al.	
D697,803 S *	1/2014	Cox .....	D9/500
D699,110 S *	2/2014	Cox .....	D9/500
D699,573 S *	2/2014	Cox .....	D9/500
D699,576 S *	2/2014	Rogers .....	D9/500
D699,577 S *	2/2014	Rogers .....	D9/500
D740,663 S	10/2015	Zeboudj	
D744,835 S	12/2015	Warner et al.	
D746,685 S	1/2016	Foley	
D746,686 S	1/2016	Yourist	
D746,687 S	1/2016	Yourist	
D746,688 S	1/2016	Yourist	
D755,049 S	5/2016	Clark et al.	
2012/0074151 A1	3/2012	Gill et al.	
2013/0306660 A1	11/2013	Bysick et al.	

\* cited by examiner

*Primary Examiner* — Dana L Meyrow

(74) *Attorney, Agent, or Firm* — Honigman Miller Schwartz and Cohn LLP; Kathryn D. Doyle, Esq.; Jonathan P. O'Brien

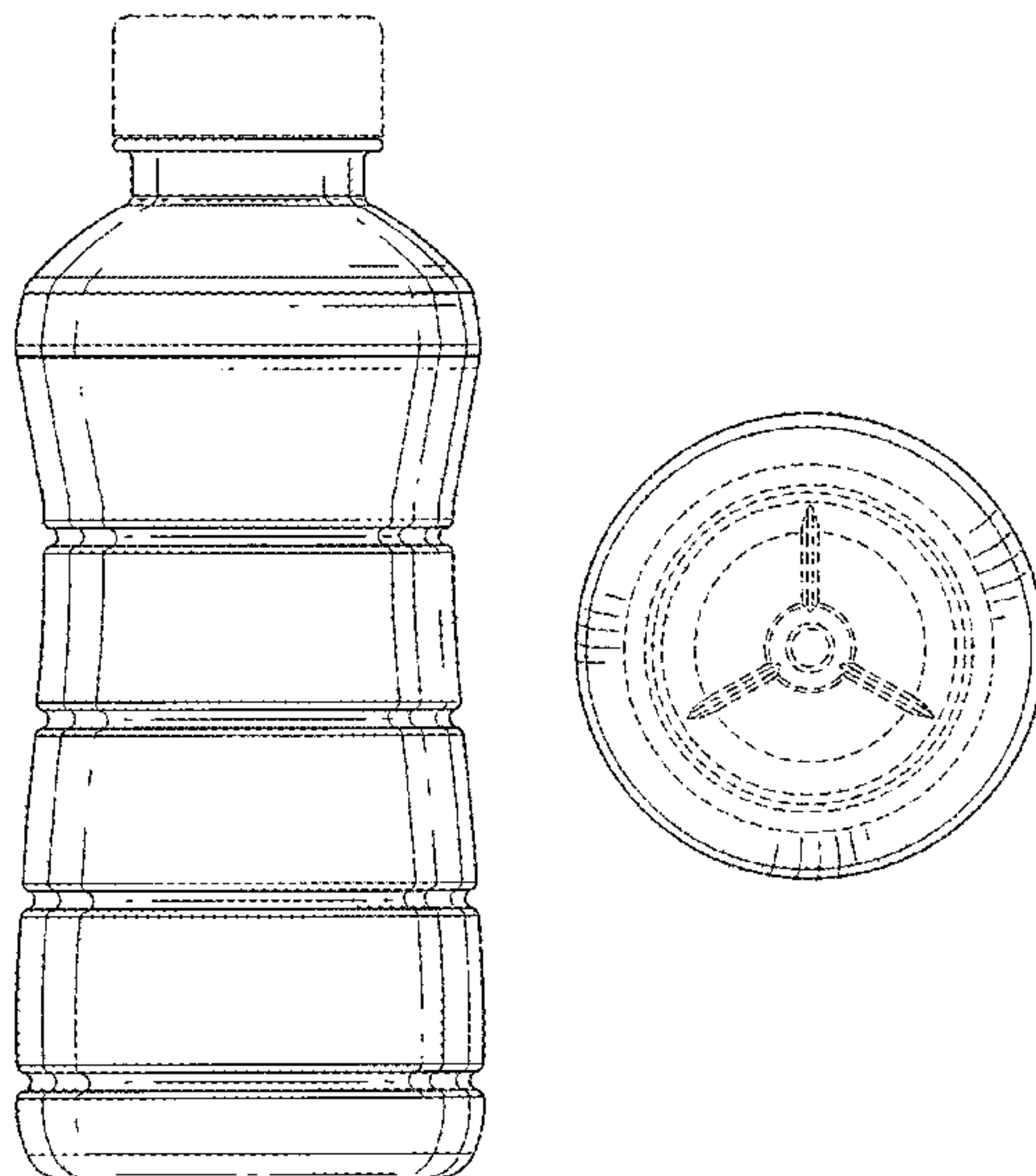
(57) **CLAIM**

I claim the ornamental design for a container, as shown and described.

**DESCRIPTION**

FIG. 1 is a perspective view of a container in accordance with the principles of the present disclosure; FIG. 2 is a side elevation view of the container of FIG. 1, the front, rear, and opposing side elevation views being identical thereto; FIG. 3 is a top plan view of the container of FIG. 1; and, FIG. 4 is a bottom plan view of the container of FIG. 1. The broken lines in the drawings illustrate portions of the container that form no part of the claim.

**1 Claim, 2 Drawing Sheets**



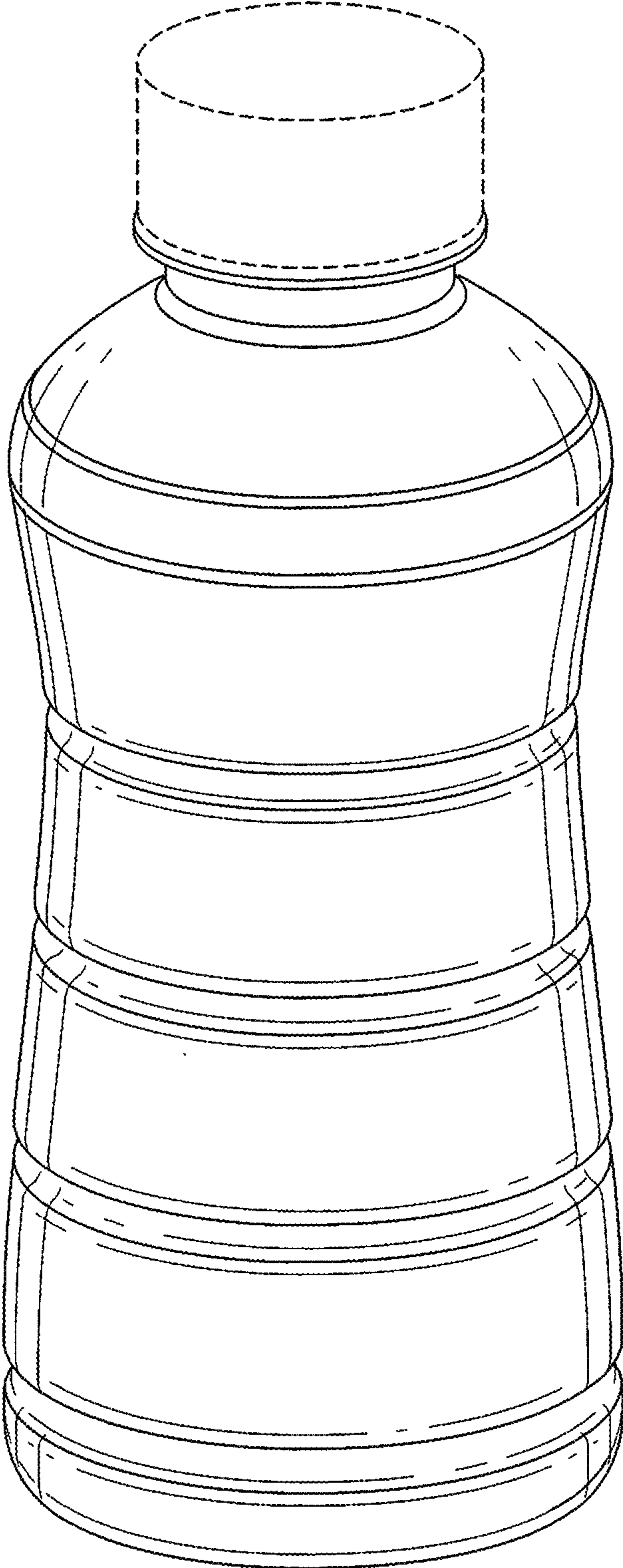


Fig-1

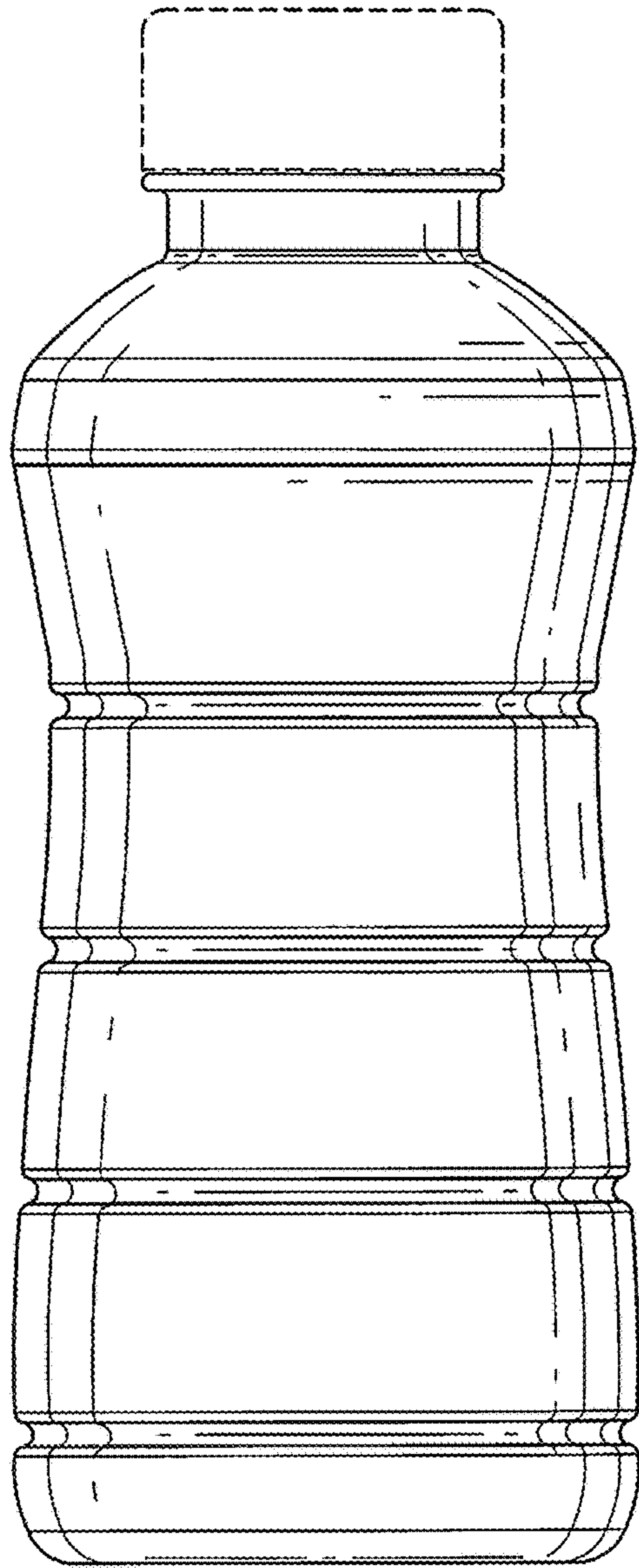


Fig-2

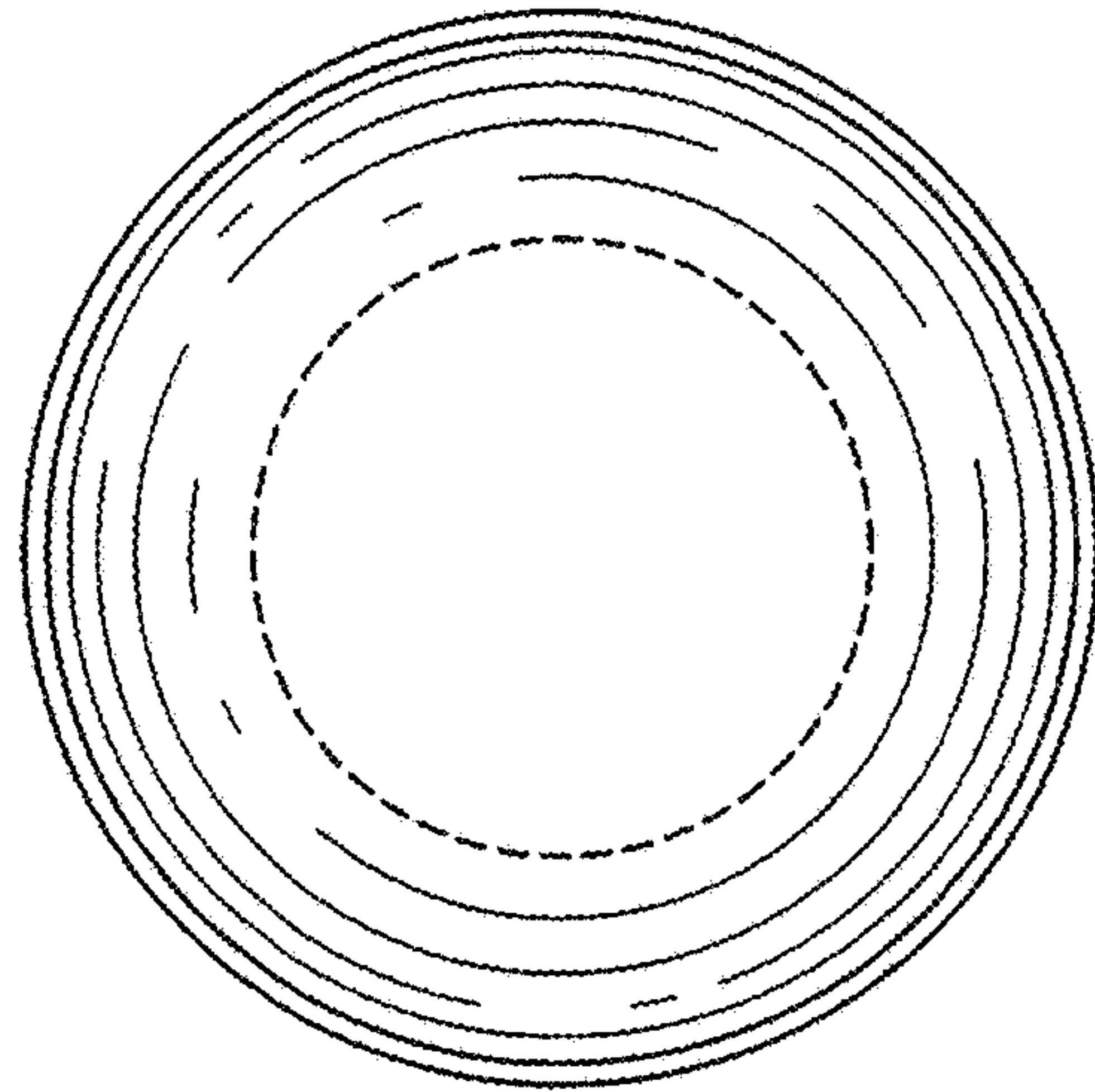


Fig-3

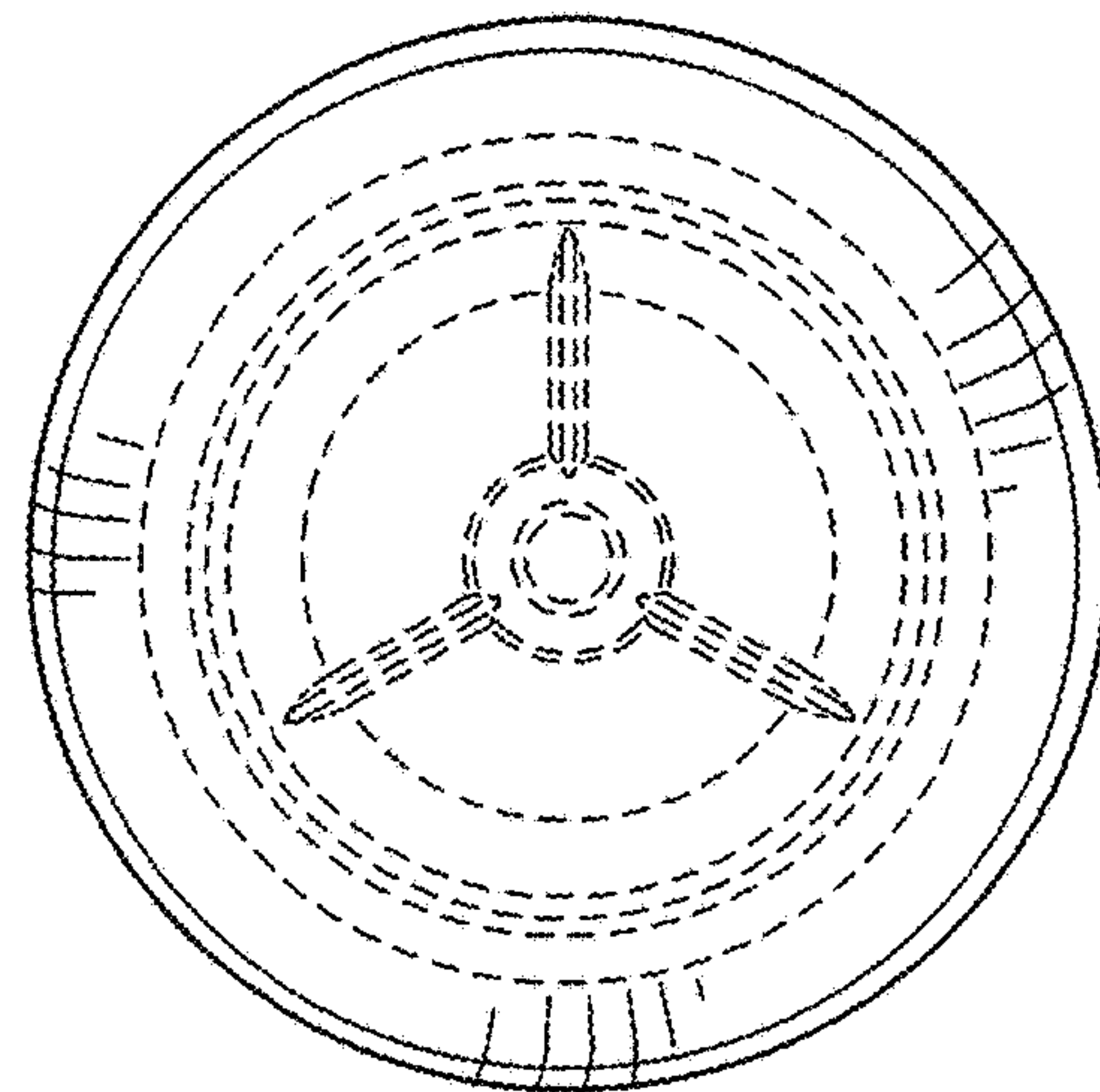


Fig-4