



US00D815944S

(12) **United States Design Patent**
Lind et al.

(10) **Patent No.:** **US D815,944 S**
(45) **Date of Patent:** **** Apr. 24, 2018**

- (54) **NOZZLE**
- (71) Applicant: **3M INNOVATIVE PROPERTIES COMPANY**, St. Paul, MN (US)
- (72) Inventors: **Jason S. Lind**, Woodbury, MN (US); **Junia M. Pereira**, Woodbury, MN (US); **Eric M. Chinnock**, Chanhassen, MN (US); **Delony L. Langer-Anderson**, Hugo, MN (US)
- (73) Assignee: **3M INNOVATIVE PROPERTIES COMPANY**, St. Paul, MN (US)
- (**) Term: **15 Years**
- (21) Appl. No.: **29/593,884**
- (22) Filed: **Feb. 14, 2017**
- (51) **LOC (11) Cl.** **09-07**
- (52) **U.S. Cl.**
USPC **D9/447**
- (58) **Field of Classification Search**
USPC D9/414, 417, 428, 432, 434, 435, D9/443-450, 452-456, 499, 682-685; D7/387, 392, 392.1, 393, 396, D7/396.1-396.4, 398, 401.1, 507, D7/509-511, 538, 900; D3/202, 294, D3/318, 321; D28/91.1
CPC .. A61J 1/00; A61J 1/1412; B65D 1/00; B65D 1/02; B65D 1/10; B65D 1/46; B65D 2585/56; B65D 2585/545; B65D 41/00; B65D 41/38; B65D 41/56; B65D 41/62; B65D 47/00; B65D 47/06; B65D 47/08; B65D 2543/00046; B65D 2543/00092; B65D 2543/00296; B65D 5/46; B65D 2251/00
See application file for complete search history.

- D179,333 S * 11/1956 Tupper D9/447
- 2,816,548 A * 12/1957 Tupper A61J 11/00
215/11.1
- D219,900 S * 2/1971 Van Lelyveld D28/51
(Continued)

FOREIGN PATENT DOCUMENTS

- WO WO 2016/164315 10/2016
- WO WO 2016/164316 10/2016

Primary Examiner — Michael A. Pratt
Assistant Examiner — Wendy Arminio
(74) *Attorney, Agent, or Firm* — Irina Hass

(57) **CLAIM**

The ornamental design for a nozzle, as shown and described.

DESCRIPTION

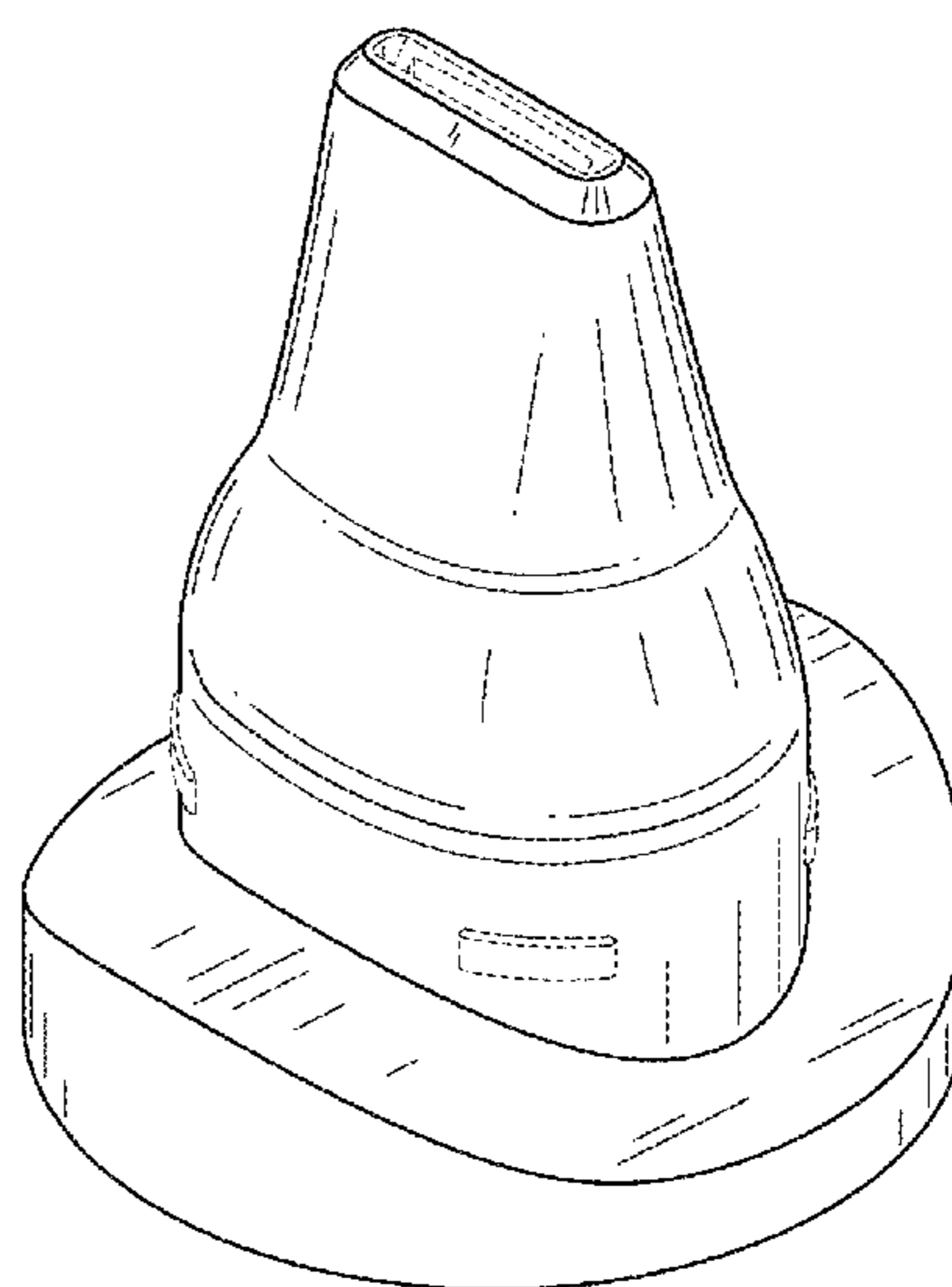
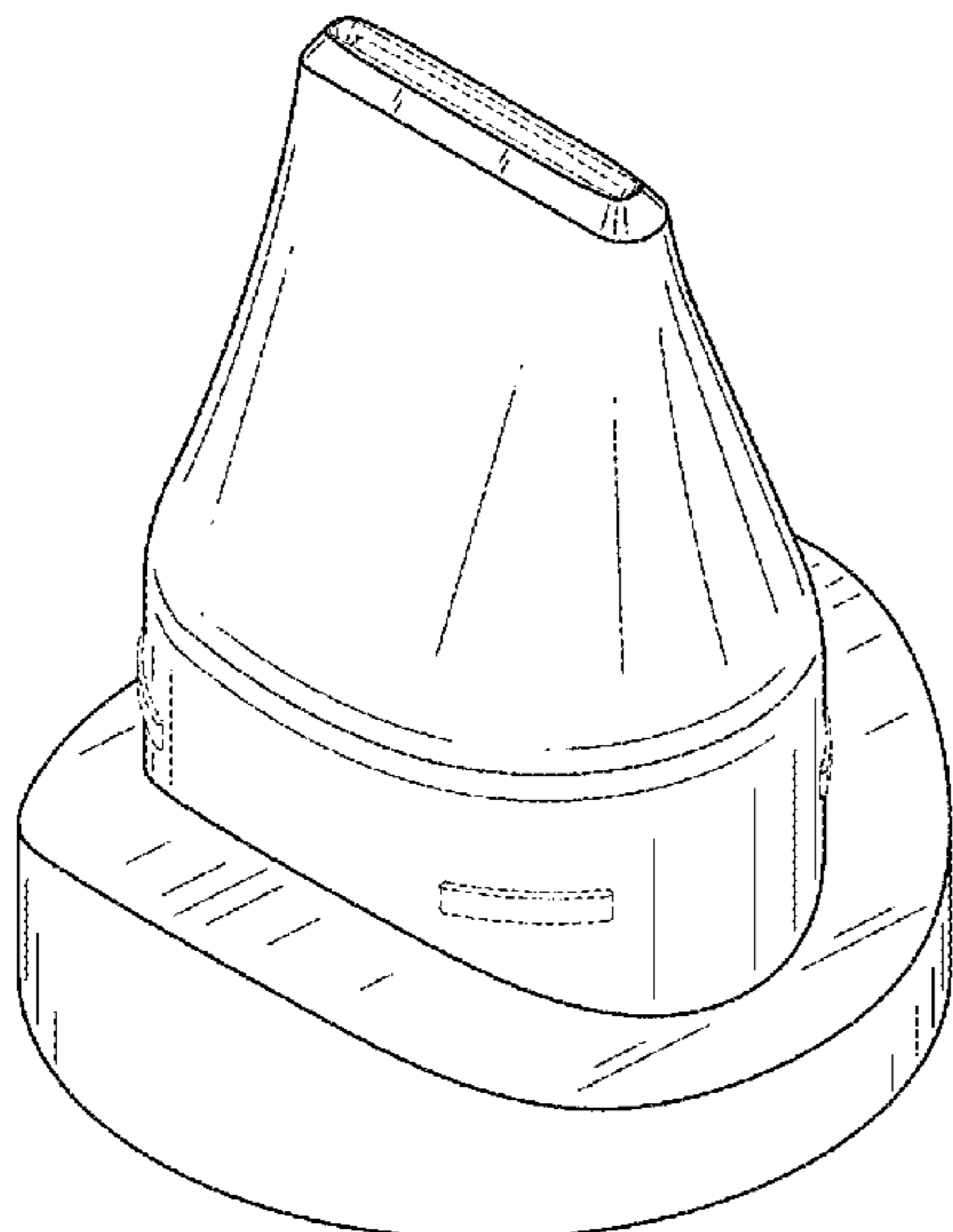
FIG. 1 is a perspective view showing the new design for a nozzle;
 FIG. 2 is a front view thereof, a rear view being a mirror image there;
 FIG. 3 is a right side view thereof, a left side view being a mirror image thereof;
 FIG. 4 is a top view thereof;
 FIG. 5 is a bottom view thereof;
 FIG. 6 is a perspective view of a second embodiment showing the new design for a nozzle;
 FIG. 7 is a front view thereof, a rear view being a mirror image there;
 FIG. 8 is a right side view thereof, a left side view being a mirror image thereof;
 FIG. 9 is a top view thereof; and,
 FIG. 10 is a bottom view thereof.
 The portions of the nozzle in FIGS. 1-10 shown in broken lines are included to show features that form no part of the claimed design.

(56) **References Cited**

U.S. PATENT DOCUMENTS

- D136,098 S * 8/1943 Hartman, Sr. 222/575
- 2,550,132 A * 4/1951 Woods B65D 47/2031
222/490

1 Claim, 6 Drawing Sheets



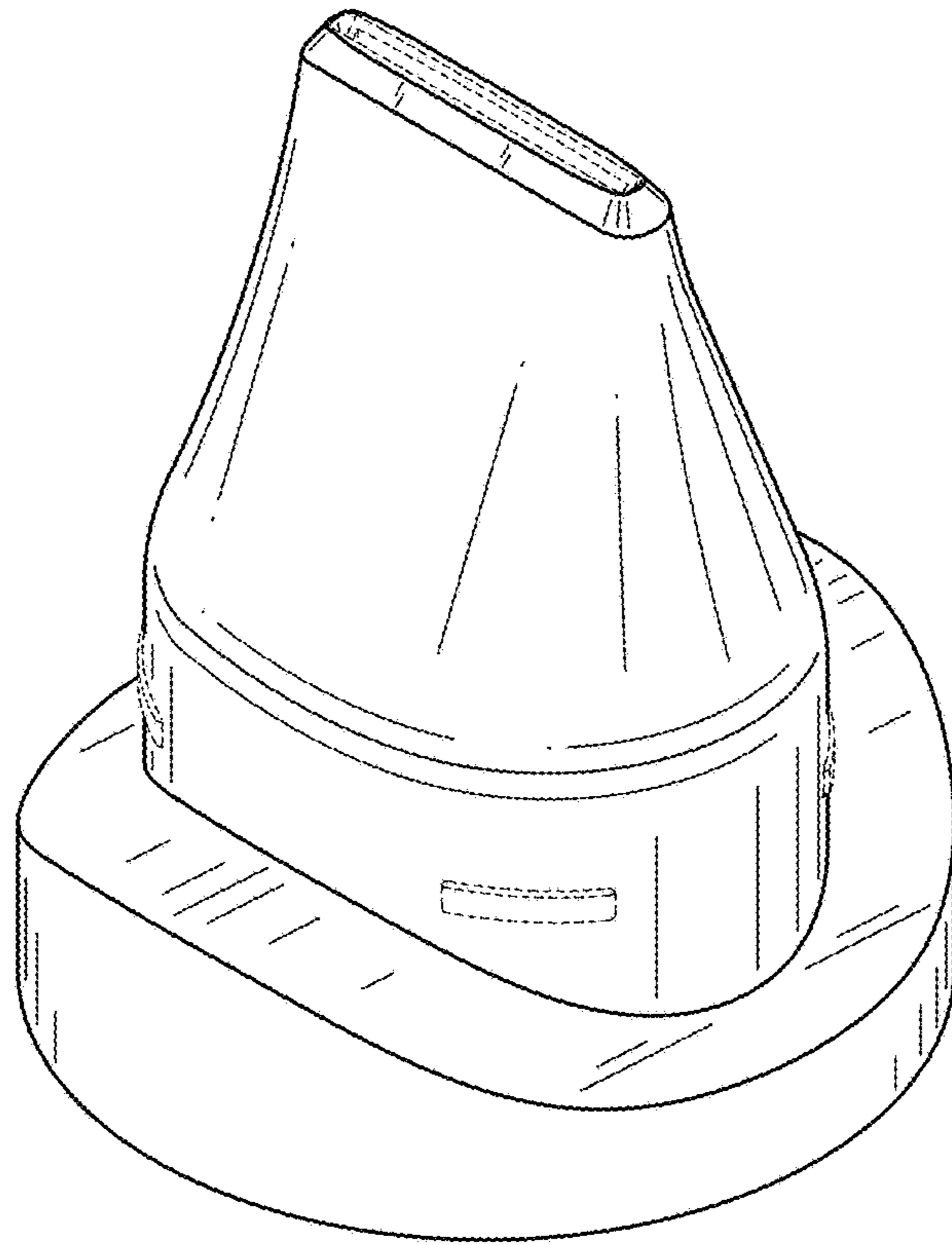


FIG. 1

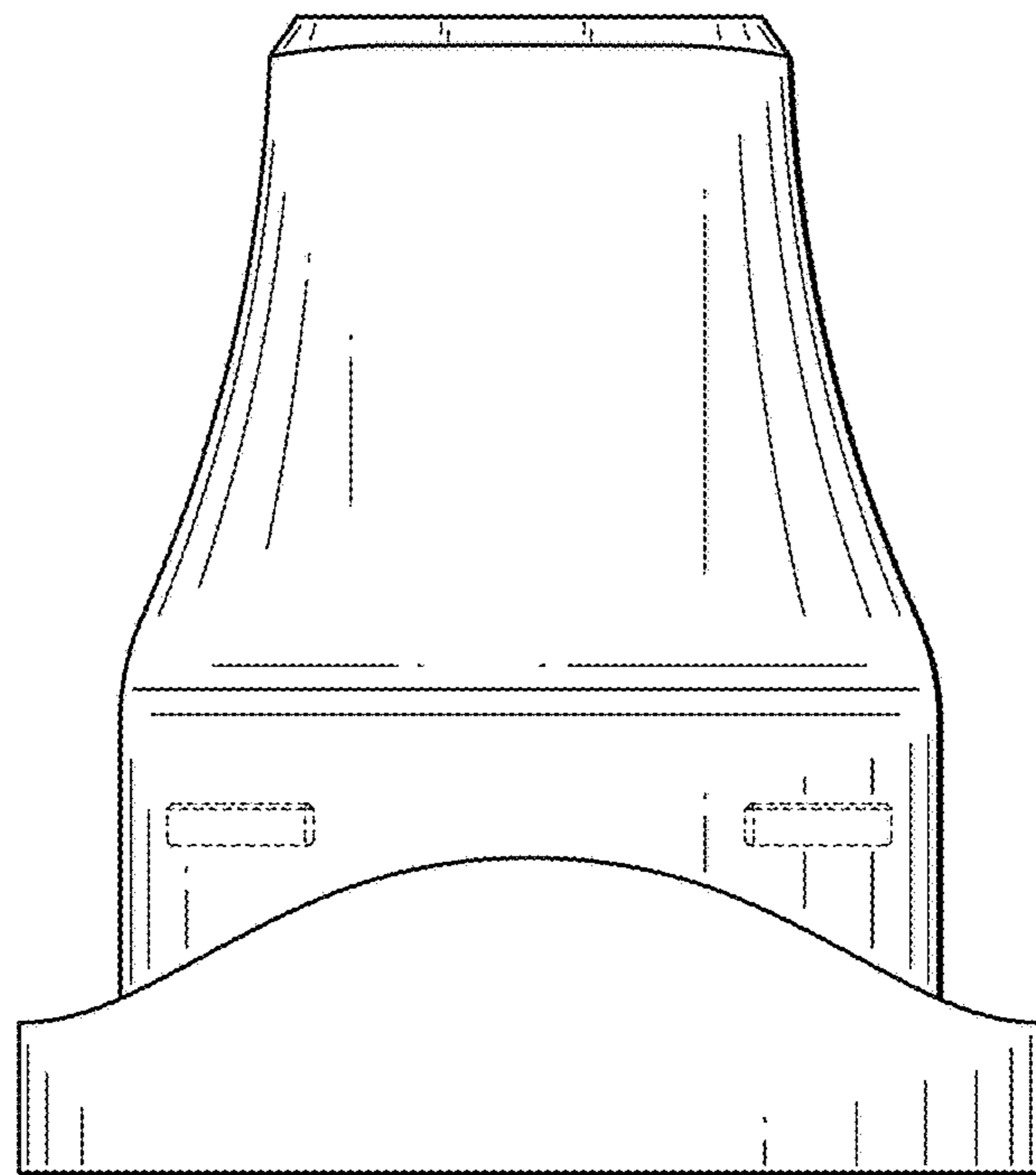


FIG. 2

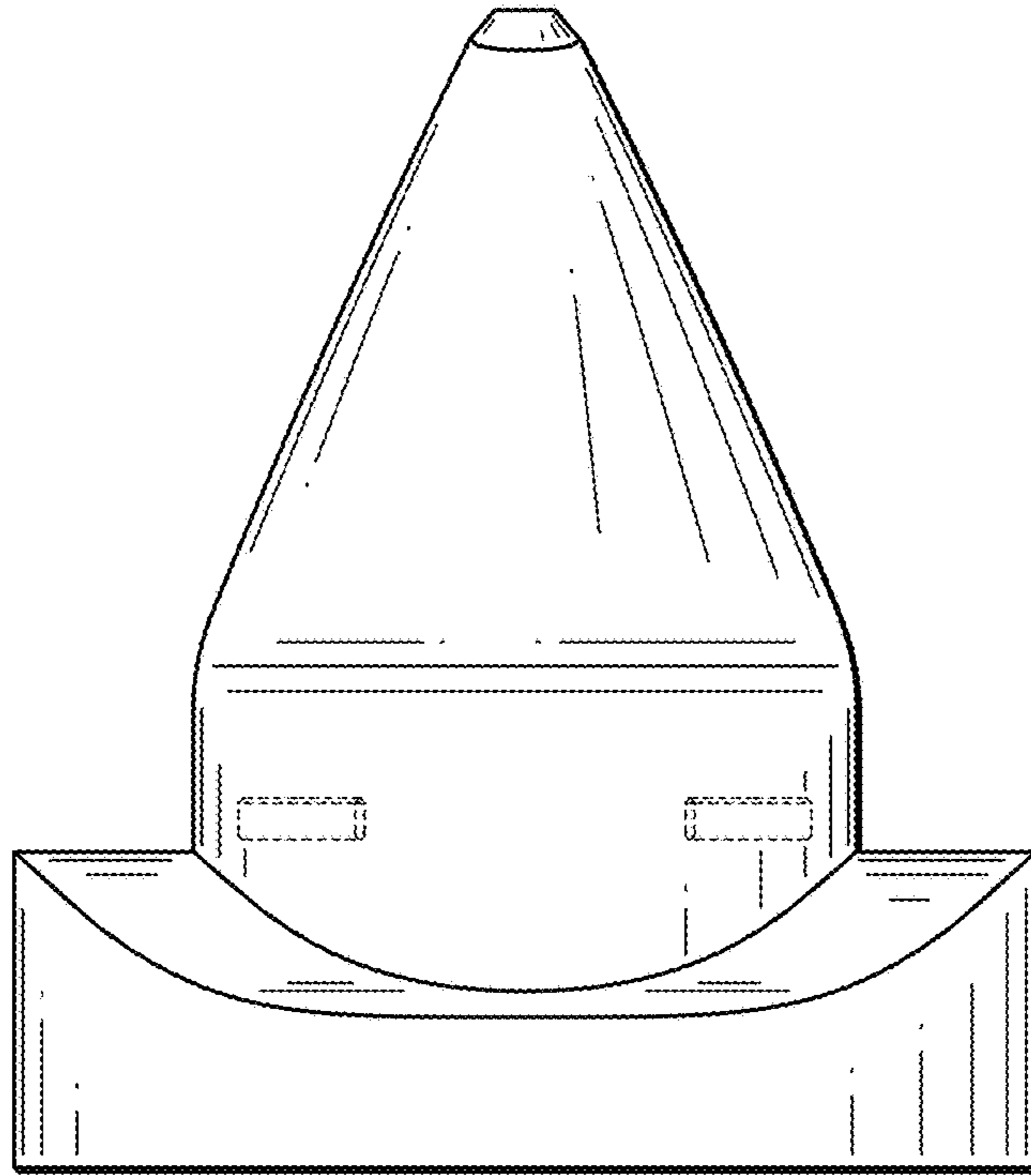


FIG. 3

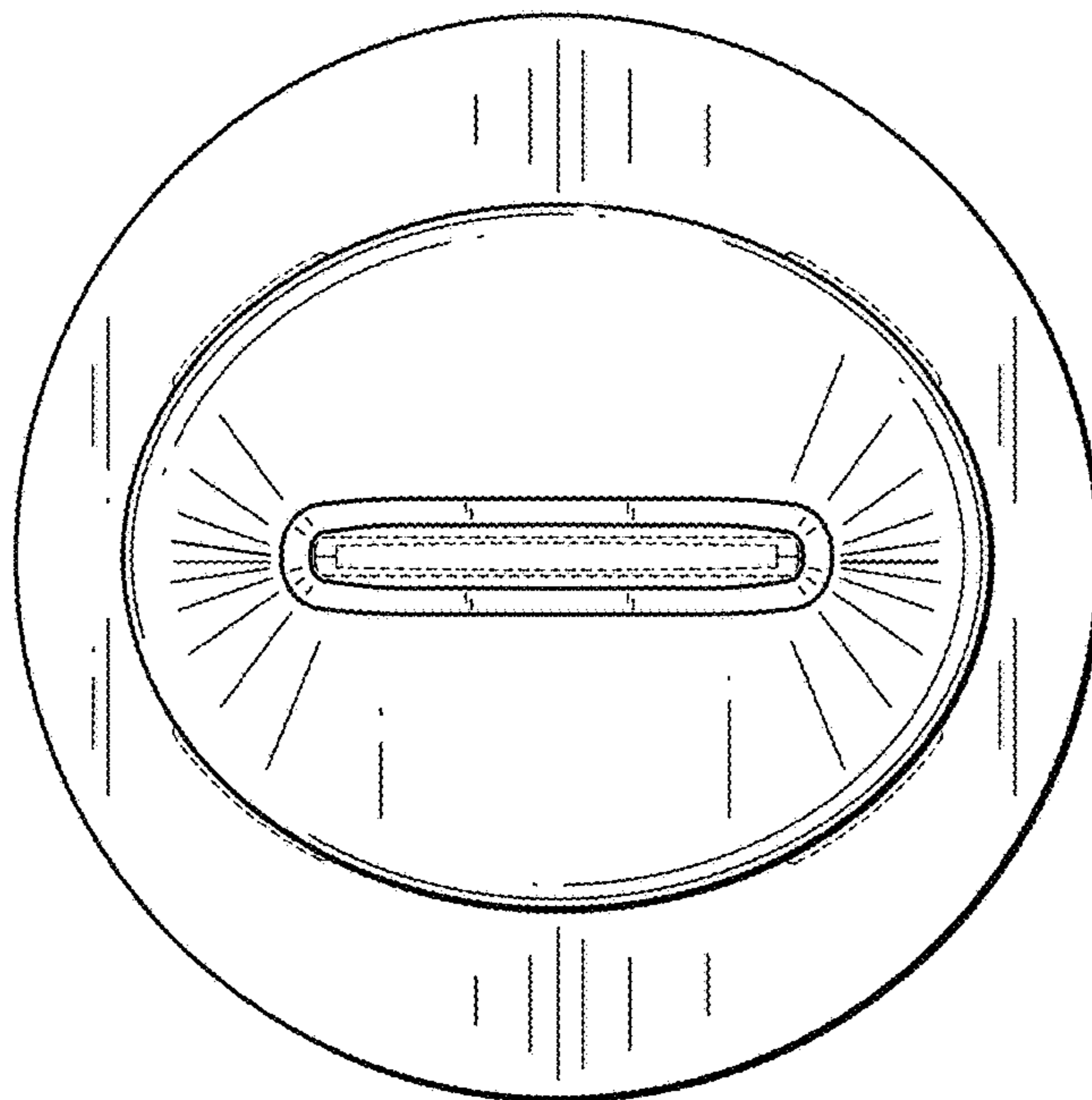


FIG. 4

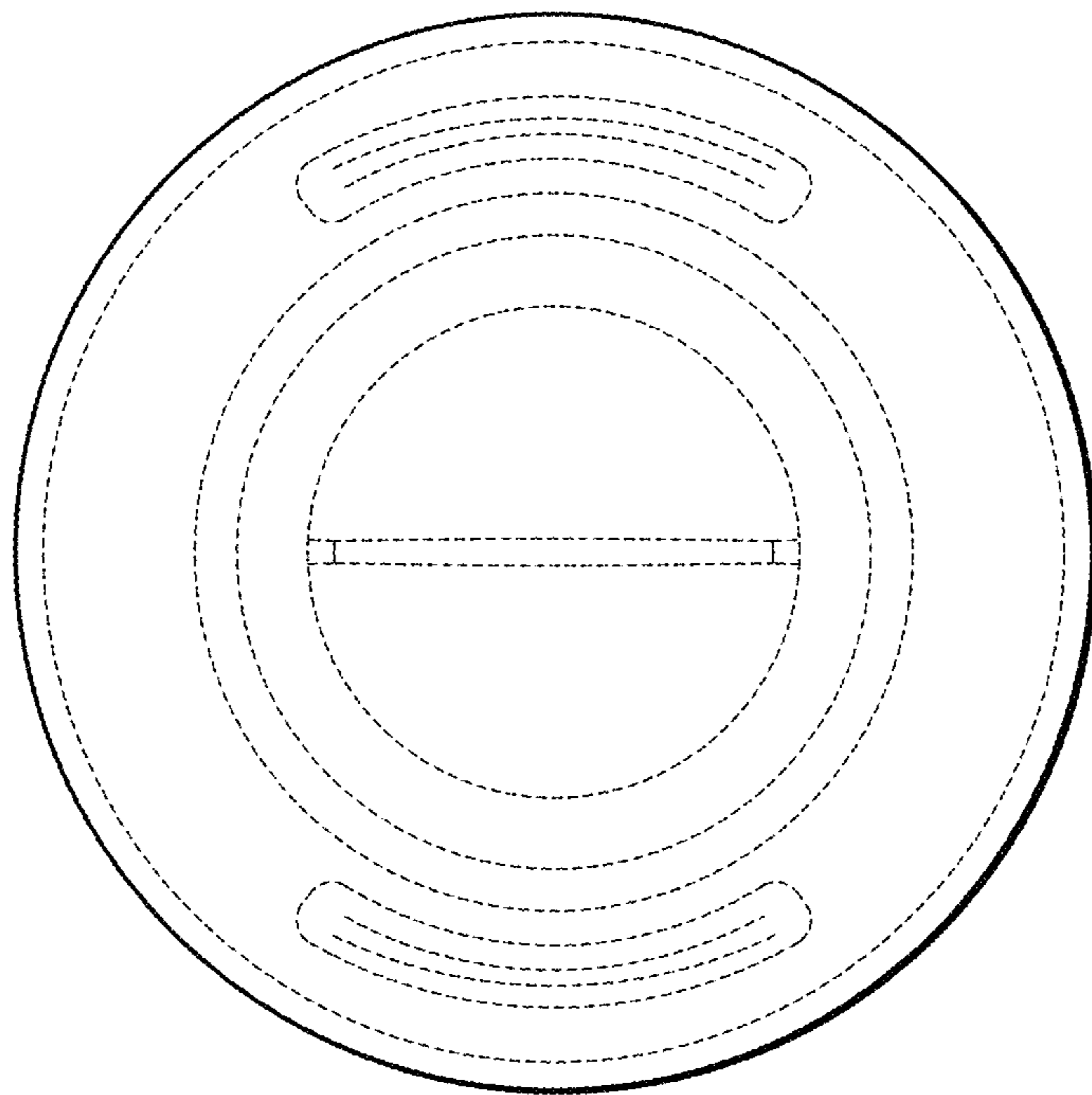


FIG. 5

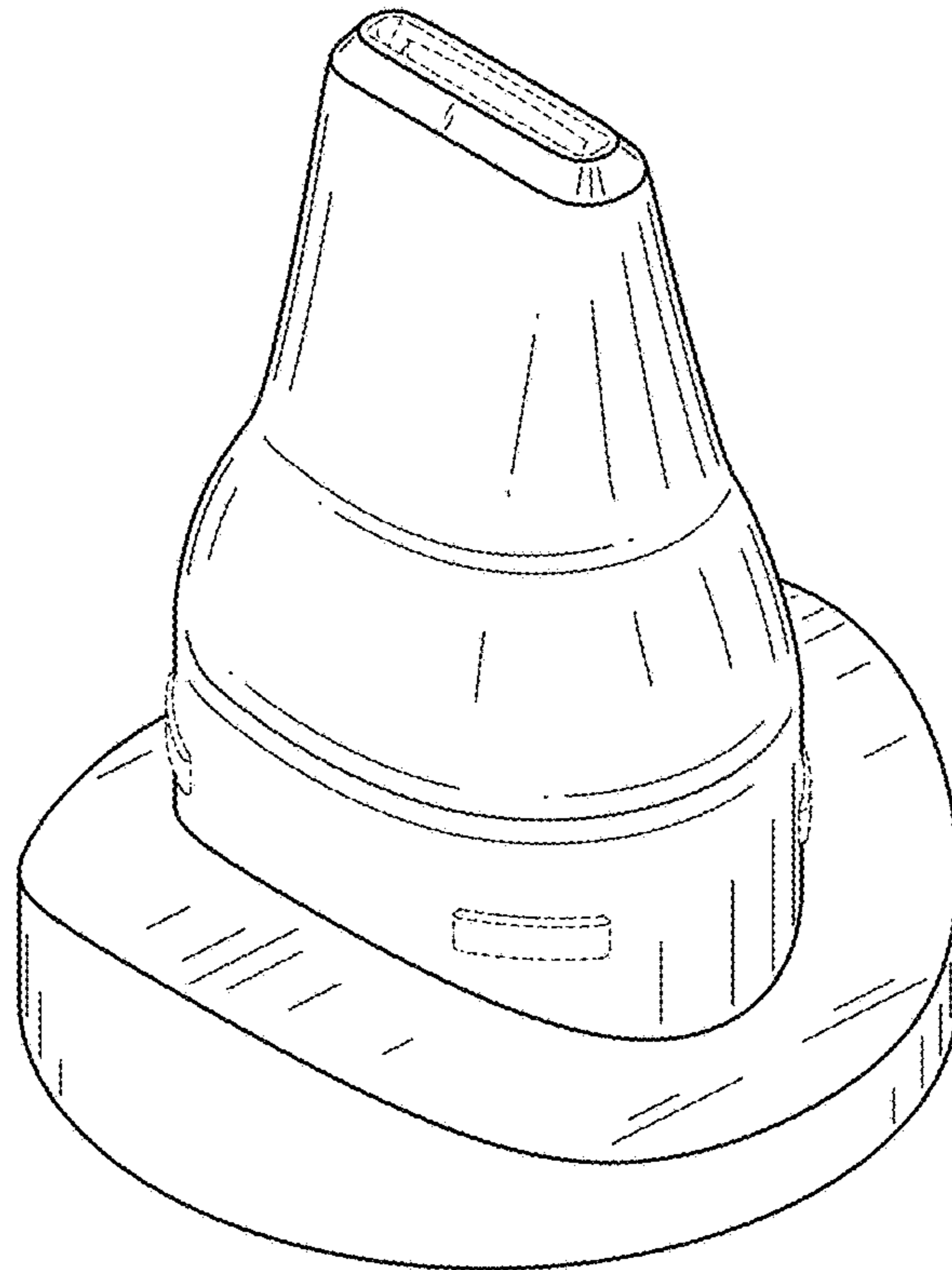


FIG. 6

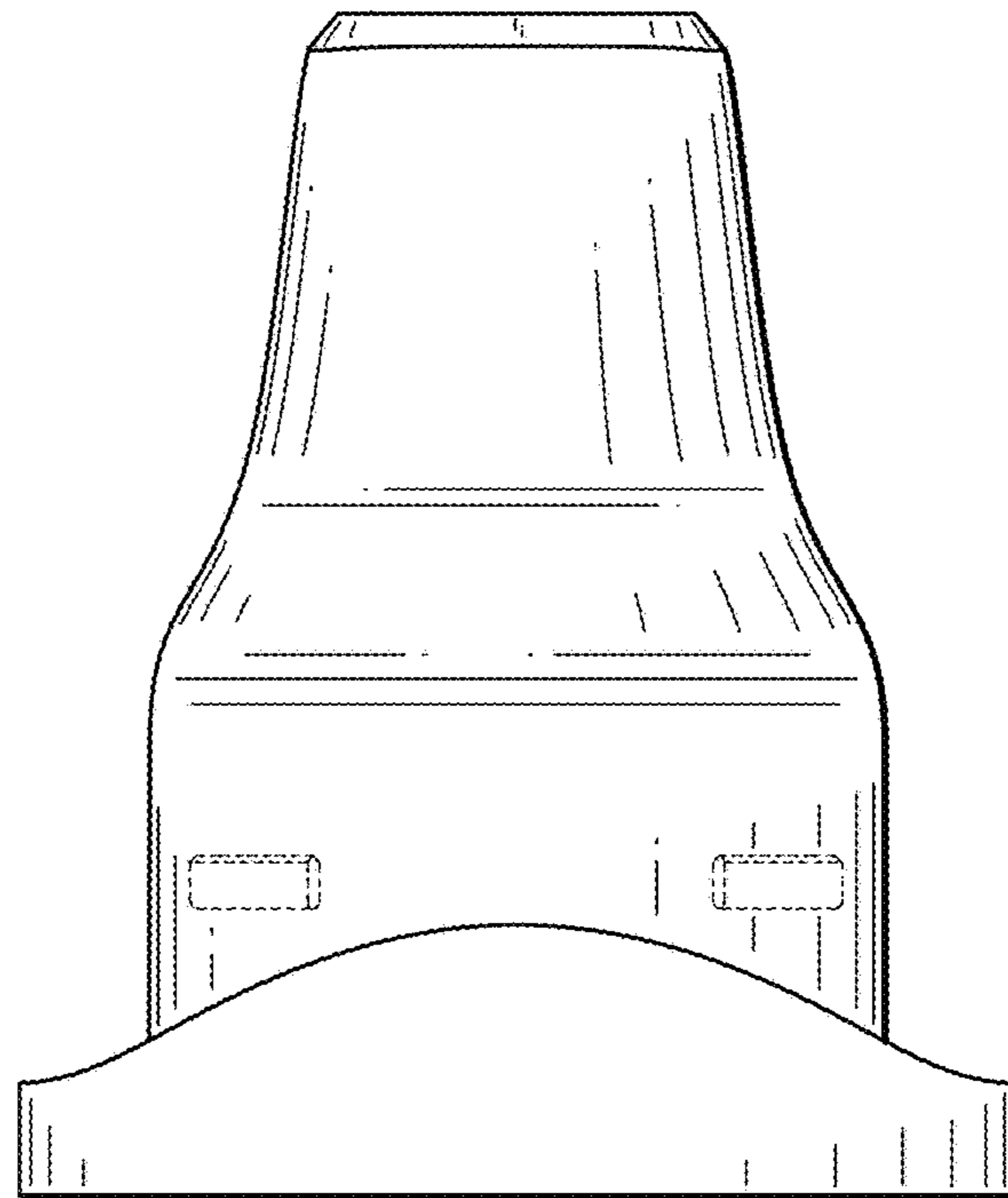


FIG. 7

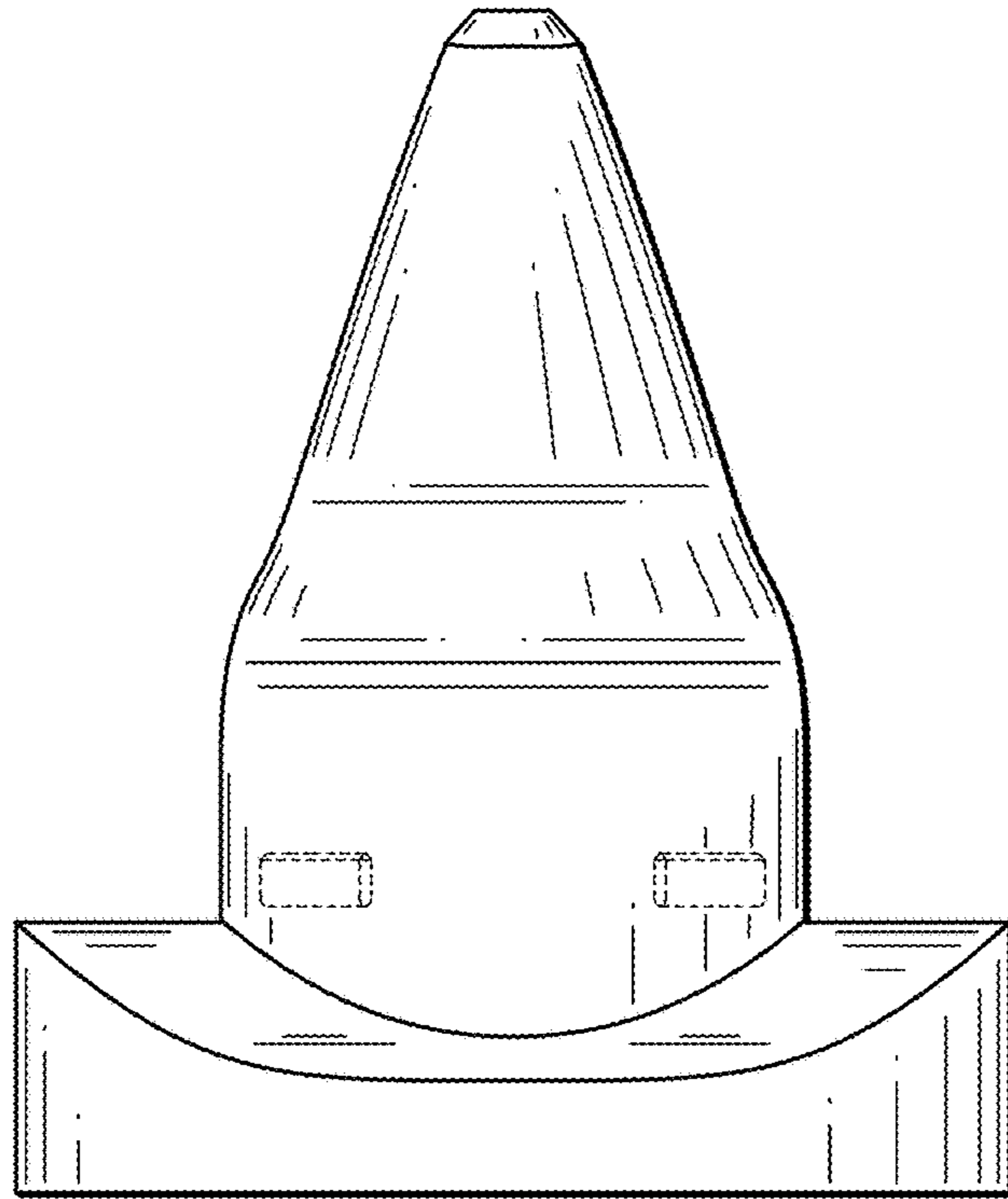


FIG. 8

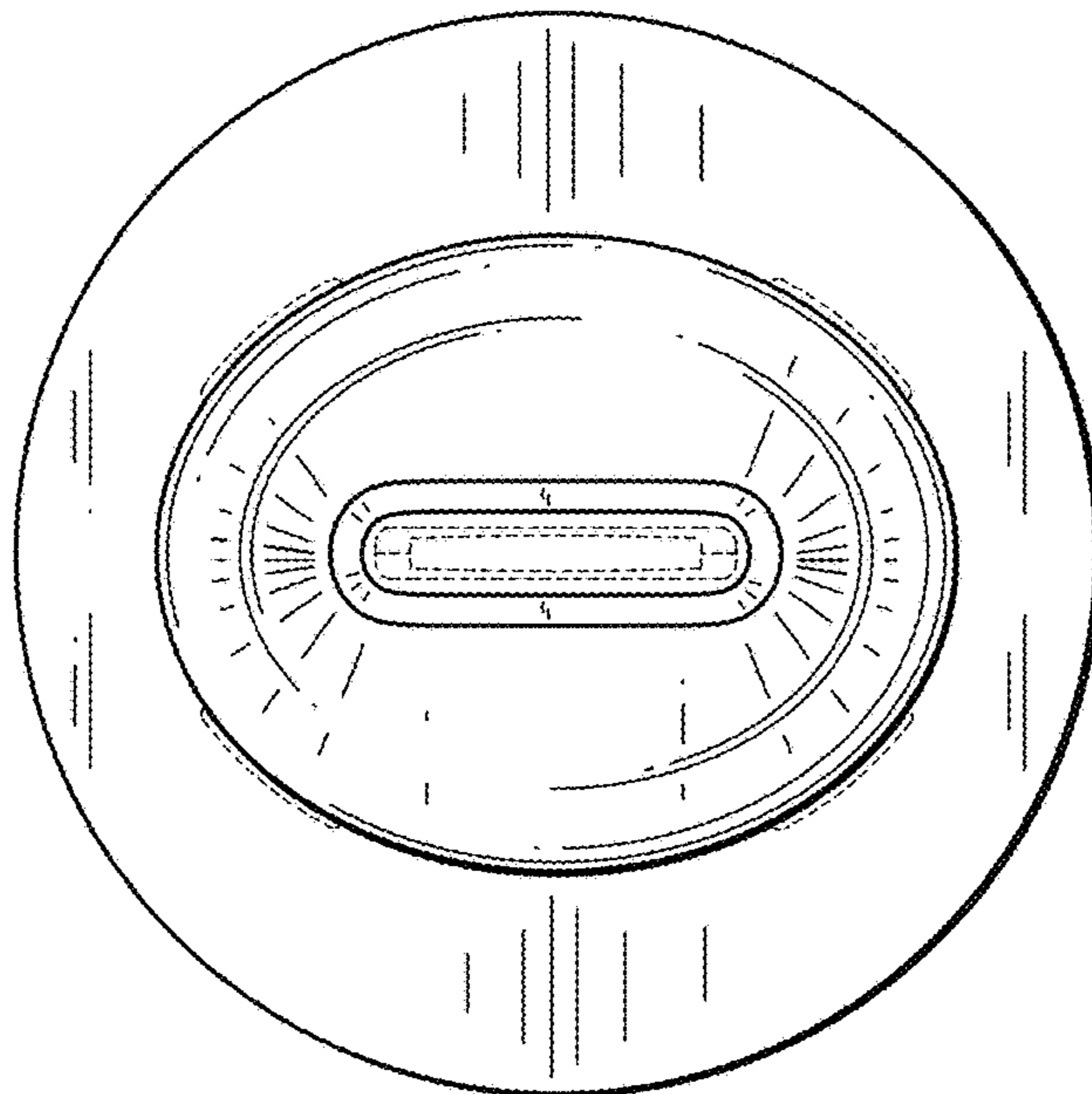


FIG. 9

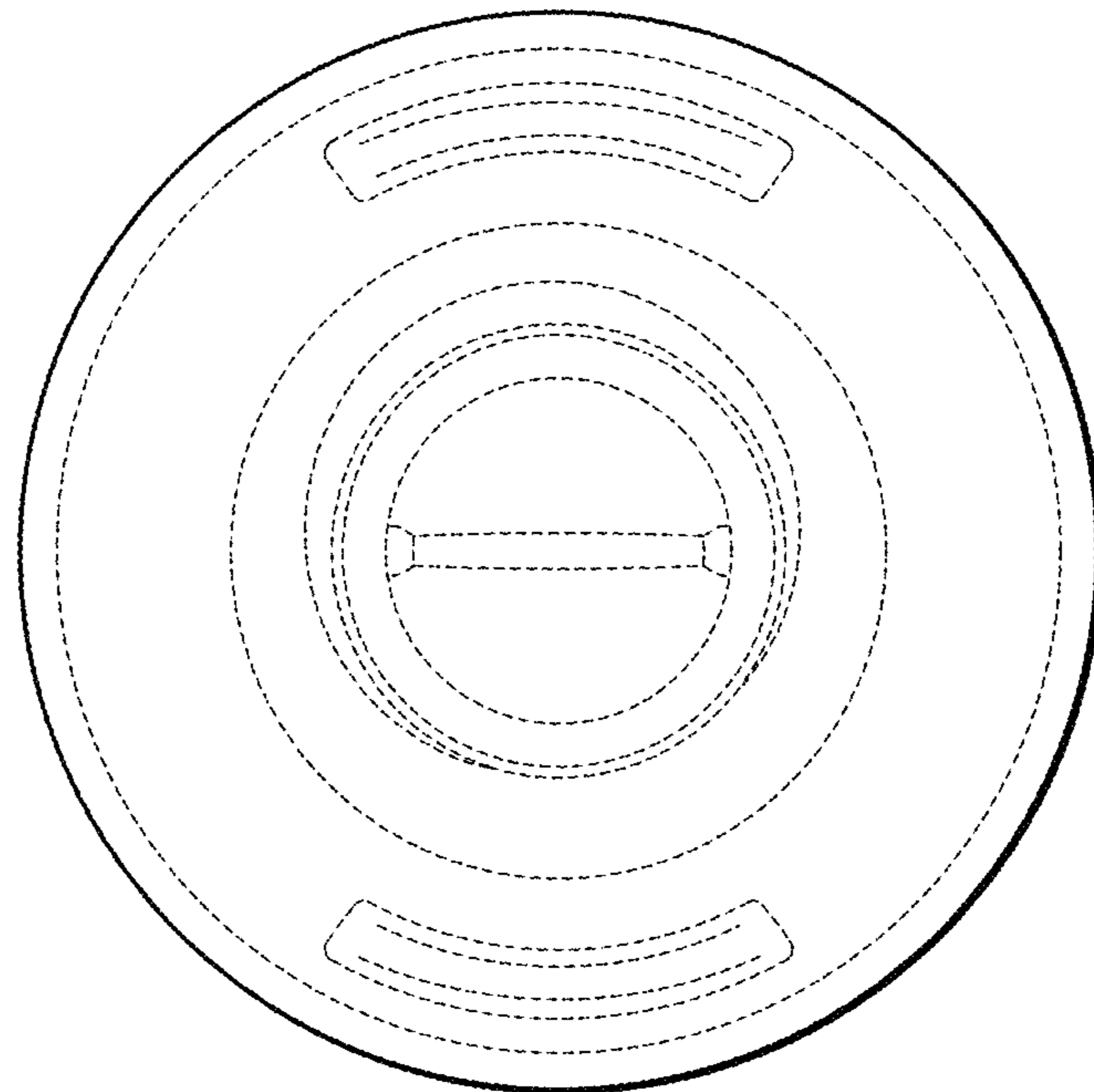


FIG. 10