



US00D815942S

(12) **United States Design Patent**  
**Marina et al.**

(10) **Patent No.:** **US D815,942 S**  
(45) **Date of Patent:** **\*\* Apr. 24, 2018**

(54) **BEVERAGE INGREDIENT CARTRIDGE OR  
POD OR THE LIKE**

(71) Applicant: **PepsiCo, Inc.**, Purchase, NY (US)

(72) Inventors: **Carlos Hernan Marina**, Deerfield Beach, FL (US); **Hernan Javier Giorgi**, Buenos Aires (AR); **Dario Federico Stanziano**, Buenos Aires (AR)

(73) Assignee: **PepsiCo, Inc.**, Purchase, NY (US)

(\*\*) Term: **15 Years**

(21) Appl. No.: **29/580,884**

(22) Filed: **Oct. 13, 2016**

(51) **LOC (11) Cl.** ..... **09-07**

(52) **U.S. Cl.**  
USPC ..... **D9/437**

(58) **Field of Classification Search**

USPC ..... D3/202, 318, 208, 210; D7/305, 387,  
D7/396.1, 396.2, 397, 511, 629, 507, 509,  
D7/523, 368, 665; D9/434-437, 439,  
D9/440, 447, 449, 450, 454, 499, 780,  
D9/443, 718; D8/33, 34, 38-43, 18;  
D10/46.2

CPC . A47J 31/407; B67B 7/14; B67B 7/16; B67B  
7/18; B67B 7/20; B67B 7/24; B65D  
41/04; B65D 55/16; B65D 81/3211;  
B65D 85/804; B65D 2501/24917

See application file for complete search history.

(56) **References Cited**

**U.S. PATENT DOCUMENTS**

D32,681 S \* 5/1900 Morgenthaler ..... D9/434  
D34,342 S \* 4/1901 Brown ..... D7/665  
D232,415 S \* 8/1974 Matsumoto ..... 81/3.55

(Continued)

**FOREIGN PATENT DOCUMENTS**

AR 81577 10/2010  
WO WO 2013/103589 7/2013

**OTHER PUBLICATIONS**

Princeton Veterinary Hospital. How to Apply Topical Medicine. 2015 [earliest online date], [site visited Oct. 10, 2017]. Available from Internet, <URL:http://princetonvet.net/how-to-apply-topical-medicine/>. (Year: 2015).\*

(Continued)

*Primary Examiner* — Robert M. Spear  
*Assistant Examiner* — Darcey E Heflin

(74) *Attorney, Agent, or Firm* — Sterne, Kessler,  
Goldstein & Fox P.L.L.C.

(57) **CLAIM**

The ornamental design for a piercer for beverage ingredient cartridge or pod or the like, as shown and described.

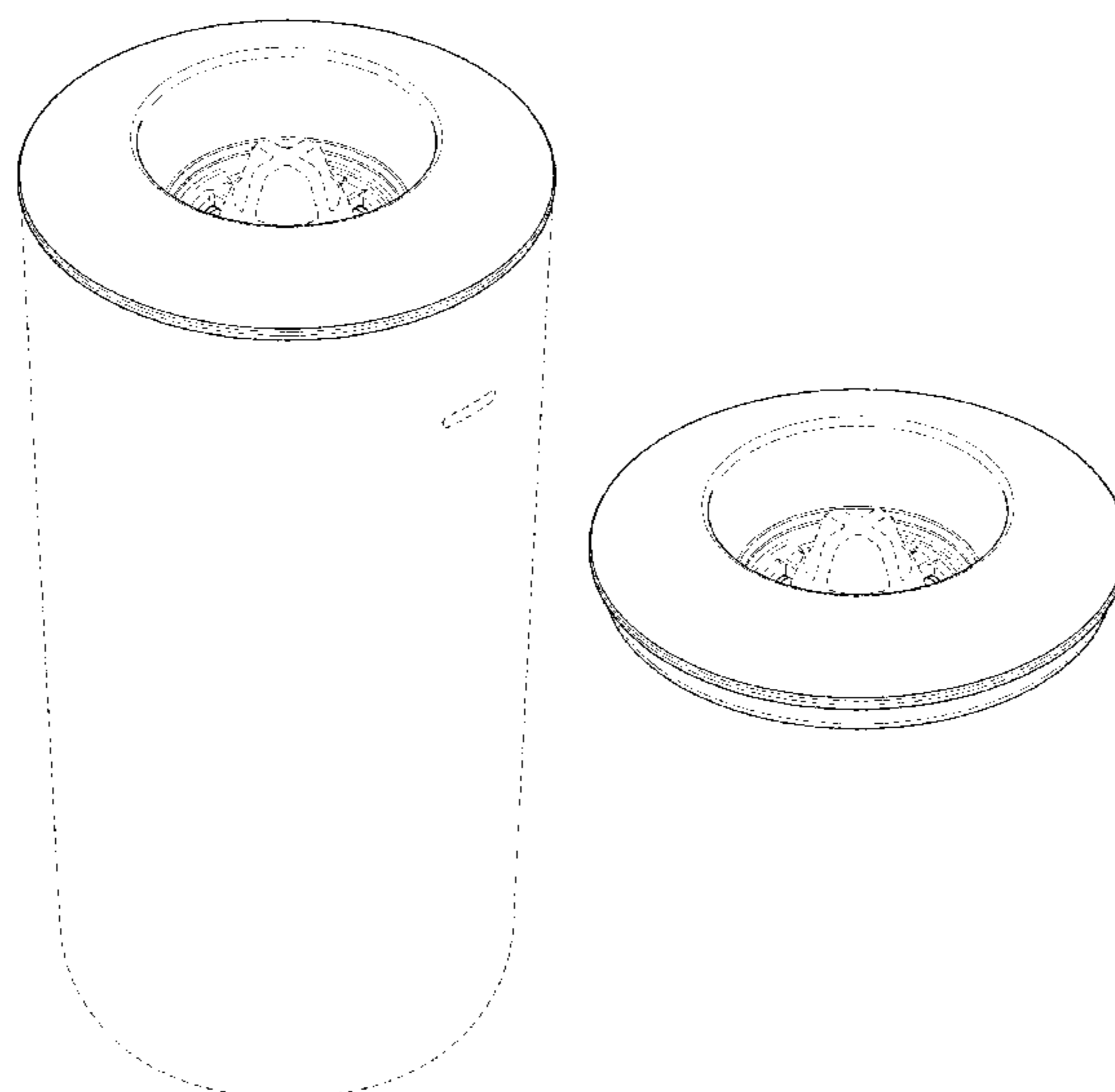
**DESCRIPTION**

FIG. 1 is a top front perspective view of a piercer for beverage ingredient cartridge or pod or the like showing the claimed design in an environment in which it may be used; FIG. 2 is another top front perspective view thereof; FIG. 3 is a bottom rear perspective view thereof; FIG. 4 is a front view thereof; FIG. 5 is a rear view thereof; FIG. 6 is a left side view thereof; FIG. 7 is a right side view thereof; FIG. 8 is a top view thereof; and, FIG. 9 is a bottom view thereof.

The dashed broken lines in the figures show portions of the piercer for beverage ingredient cartridge or pod or the like that form no part of the claimed design.

The dot-dash broken lines in the figures show boundaries that form no part of the claimed design.

**1 Claim, 5 Drawing Sheets**



(56)

References Cited

U.S. PATENT DOCUMENTS

D232,915 S 9/1974 Becker  
 D262,192 S \* 12/1981 Wedge ..... D9/435  
 D278,033 S 3/1985 Borkan et al.  
 D297,799 S \* 9/1988 Hammer ..... D7/507  
 D316,035 S 4/1991 Pepitone  
 D340,625 S \* 10/1993 Wang ..... D7/629  
 D397,922 S \* 9/1998 Gort-Barten ..... D8/33  
 D402,889 S 12/1998 Bryce  
 D405,693 S 2/1999 Bretz et al.  
 D410,364 S 6/1999 Ramirez et al.  
 D414,238 S 9/1999 Kupperman  
 6,105,799 A 8/2000 Takagawa  
 6,409,035 B1 6/2002 Darr et al.  
 D464,263 S 10/2002 White et al.  
 D473,379 S \* 4/2003 Moon ..... D3/318  
 D473,431 S \* 4/2003 Schwamkrug ..... D7/665  
 D480,935 S \* 10/2003 Farce ..... D8/19  
 D529,379 S 10/2006 Mengeu et al.  
 D567,021 S 4/2008 Bach et al.  
 D569,685 S 5/2008 Liu  
 D581,278 S 11/2008 Shibata et al.  
 D588,870 S 3/2009 Rasmussen  
 D605,893 S \* 12/2009 Reid ..... D7/387  
 D626,415 S 11/2010 Kolano  
 D647,364 S 10/2011 Audette et al.  
 D650,677 S 12/2011 Wurster et al.  
 D661,549 S 6/2012 Kemper et al.  
 D662,767 S \* 7/2012 Hotell ..... D7/396.2  
 D668,150 S 10/2012 Crapser et al.  
 D676,717 S 2/2013 Ceder  
 8,365,913 B2 2/2013 Ceder  
 8,365,941 B2 2/2013 Mayer  
 D688,531 S 8/2013 Ceder  
 8,579,149 B2 11/2013 Henke et al.  
 8,584,879 B2 11/2013 Melrose et al.

D702,492 S 4/2014 Marina et al.  
 D703,000 S 4/2014 Marina et al.  
 D703,487 S 4/2014 Marina et al.  
 D709,387 S 7/2014 Marina et al.  
 D713,722 S \* 9/2014 Miller ..... D9/436  
 D716,653 S \* 11/2014 Balembois ..... D9/435  
 D717,651 S 11/2014 Marina et al.  
 D718,136 S \* 11/2014 Harrity ..... D9/499  
 D756,173 S \* 5/2016 Decaris ..... D7/665  
 D771,490 S \* 11/2016 Junkel ..... D9/447  
 D776,536 S \* 1/2017 Emoff ..... D9/455  
 D794,391 S \* 8/2017 Palin ..... D7/510  
 D795,644 S \* 8/2017 Cortadellas ..... D7/510  
 2004/0124192 A1 7/2004 Teller  
 2007/0084821 A1 4/2007 Bysick et al.  
 2010/0055252 A1 3/2010 Marina et al.  
 2011/0166910 A1 7/2011 Marina et al.  
 2012/0183657 A1 7/2012 Marina et al.

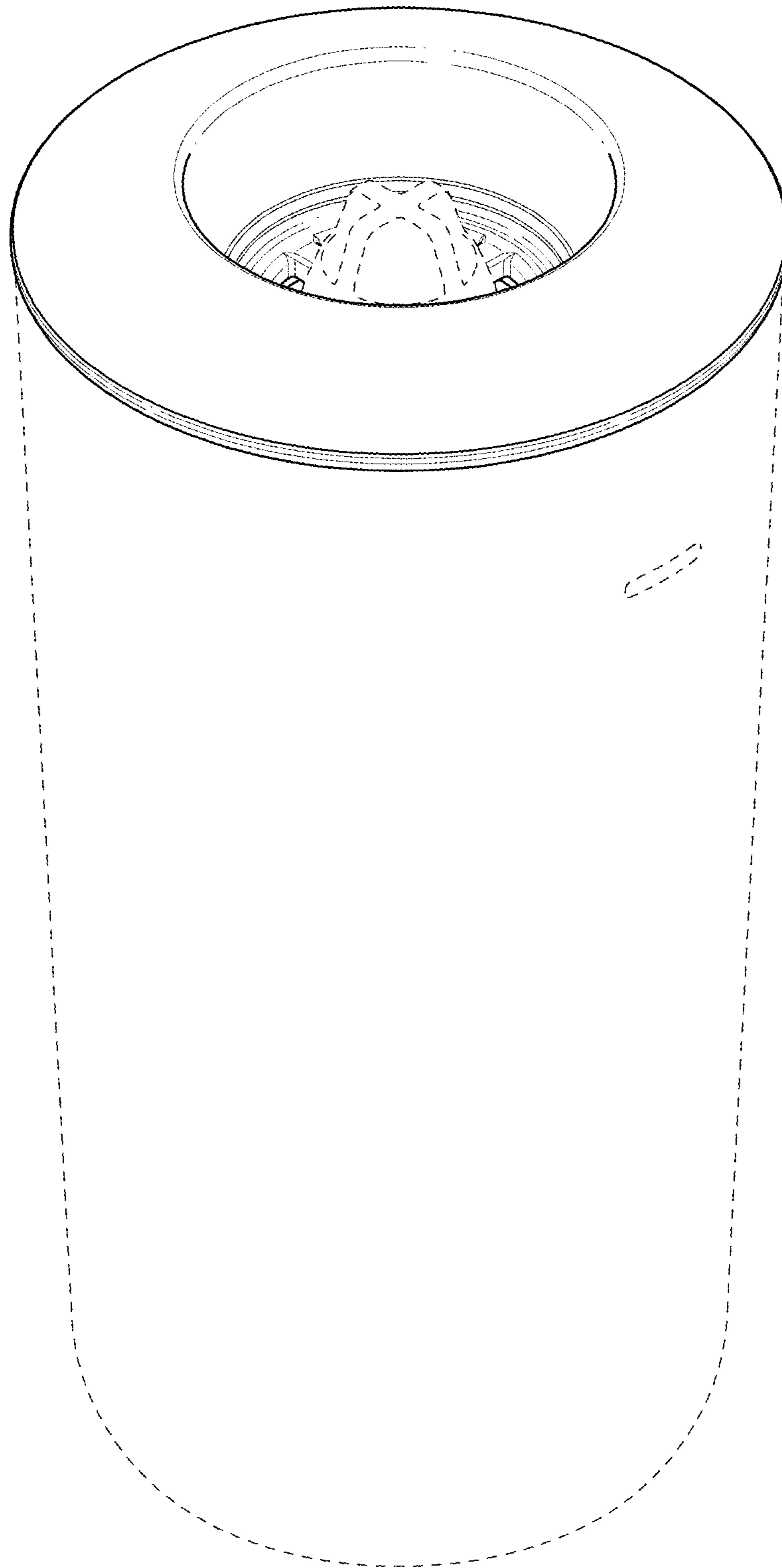
OTHER PUBLICATIONS

Electra-Craft. Dualit Capsule Piercer for Nespresso Capsule. 2017 [earliest online date], [site visited Oct. 10, 2017]. Available from Internet, <URL:http://store.electra-craft.com/dualit-capsule-piercer-for-nespresso-capsule>. (Year: 2017).\*

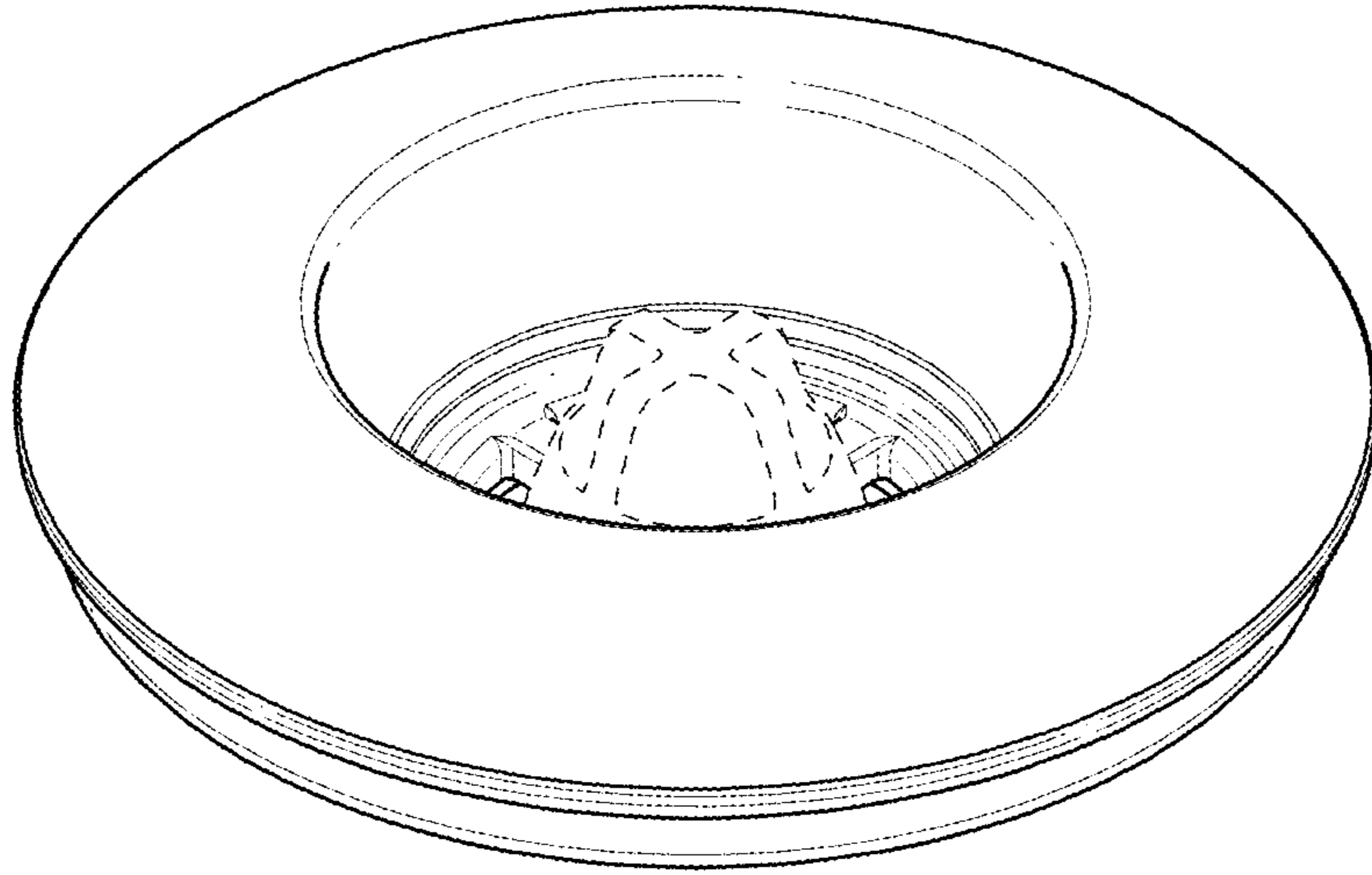
Brand Channel. To Drinkfinity and Beyond: PepsiCo Tests Sustainable Water by Dale Buss. Jan. 2, 2015 [earliest online date], [site visited Oct. 13, 2017]. Available from Internet, <URL:http://brandchannel.com/2015/01/02/to-drinkfinity-and-beyond-pepsico-tests-sustainable-water/>. (Year: 2015).\*

Youtube. Drinkfinity BR. Nov. 26, 2014 [earliest online date—video “Drinkfinity. Sede Pela Vida”], [site visited Oct. 13, 2017]. Available from Internet, <URL:https://www.youtube.com/channel/UCEG-XRNyehDGWx-siCJ7GPg/videos?sort=da&view=0&flow=grid> (Year: 2014).\*

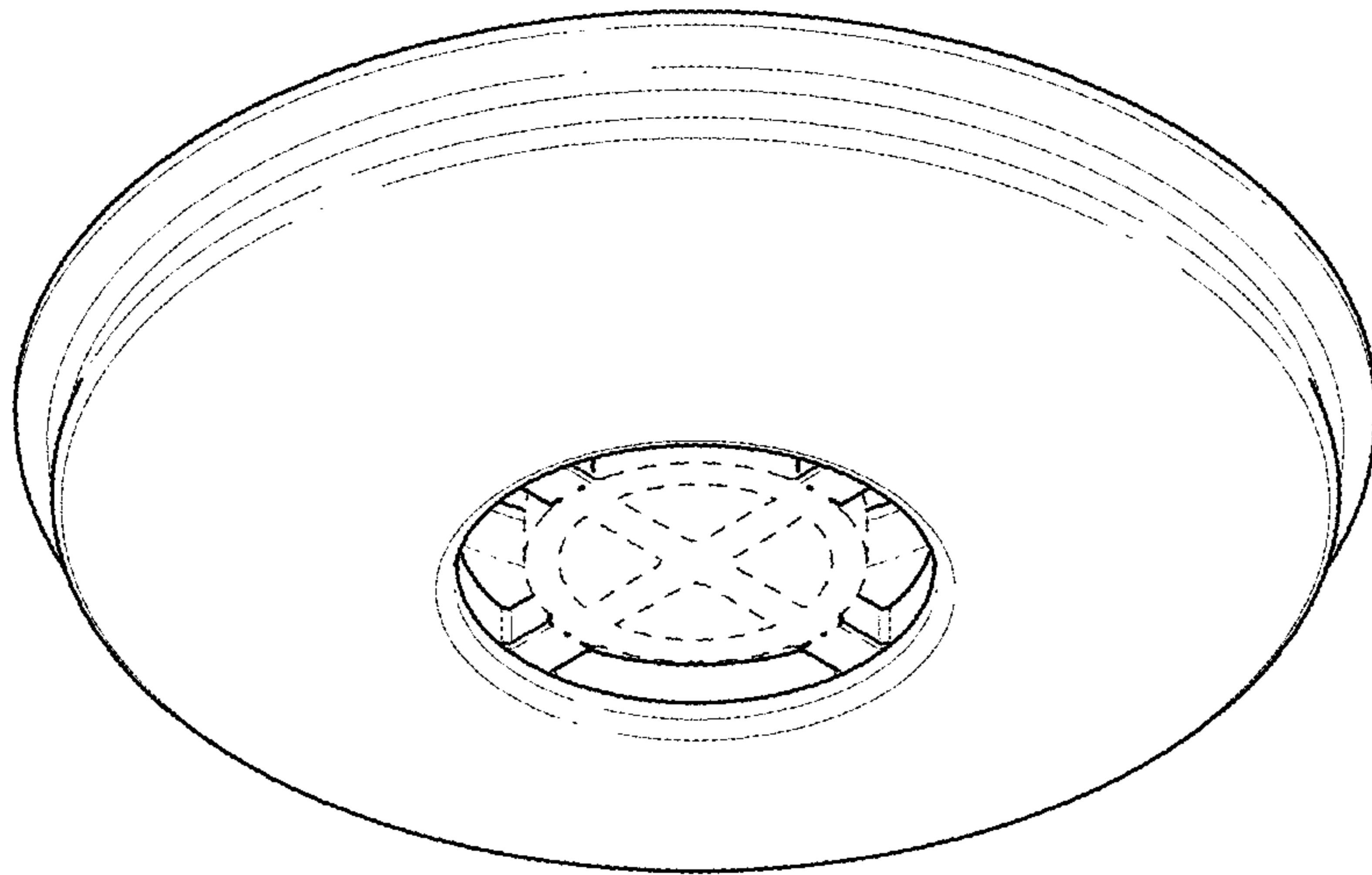
\* cited by examiner



**FIG. 1**

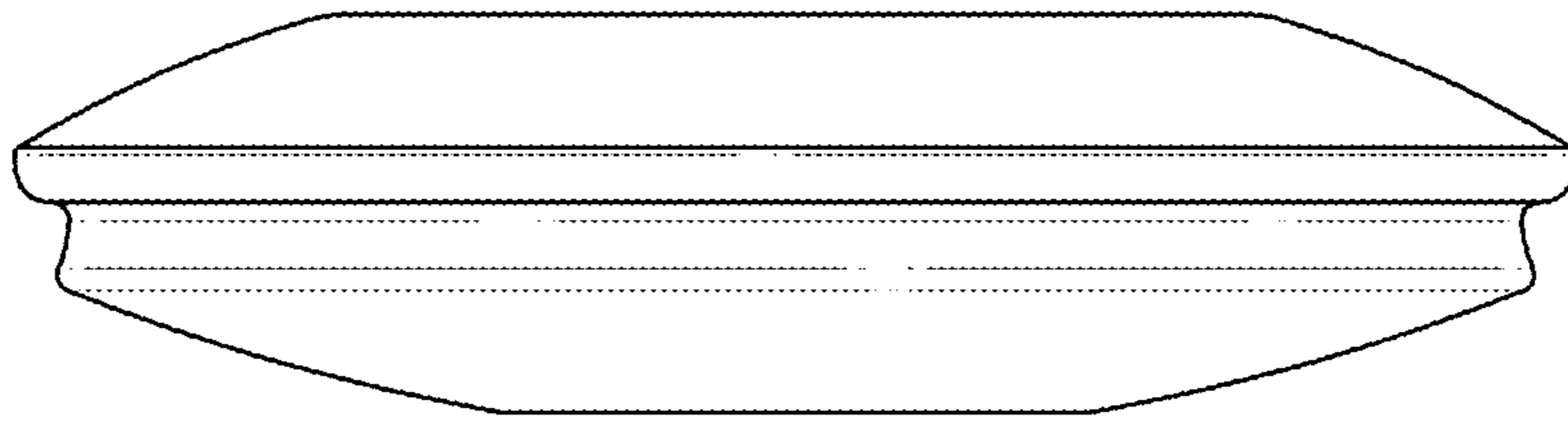


**FIG. 2**

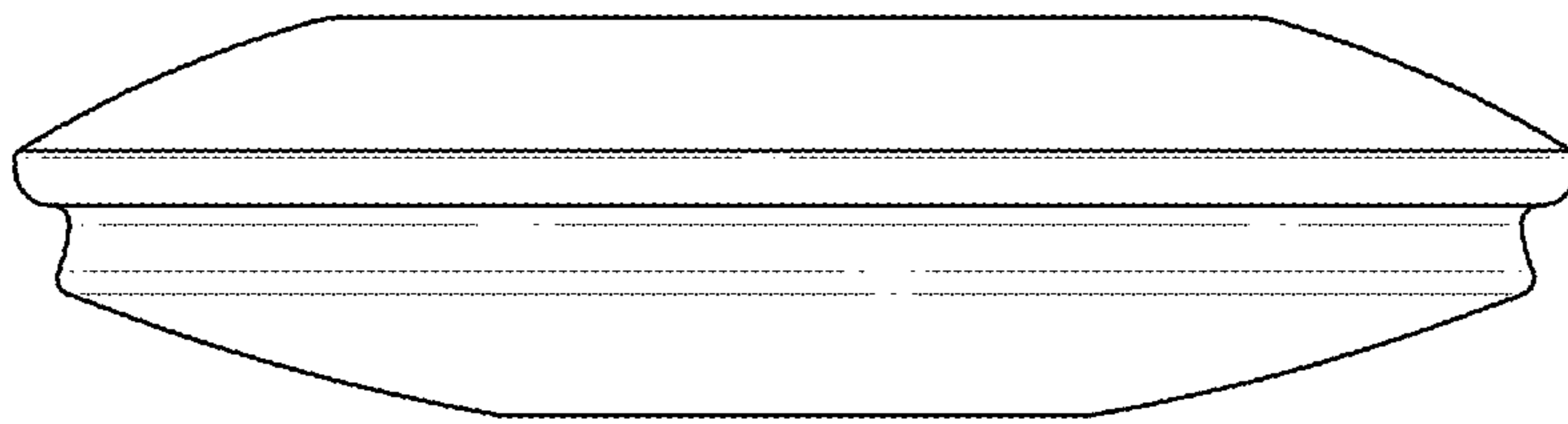


**FIG. 3**

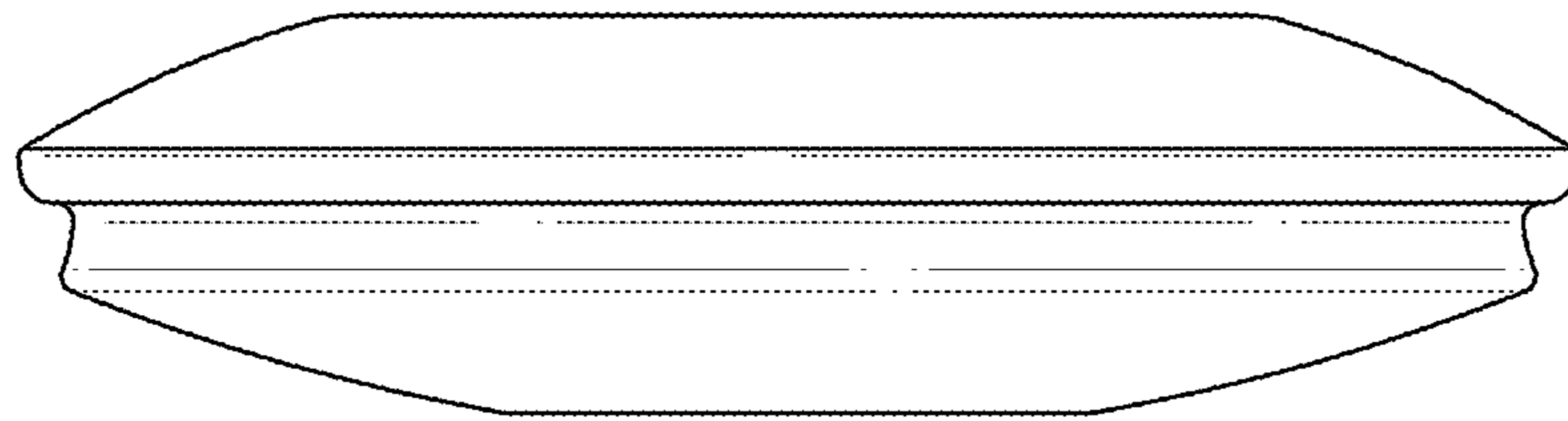




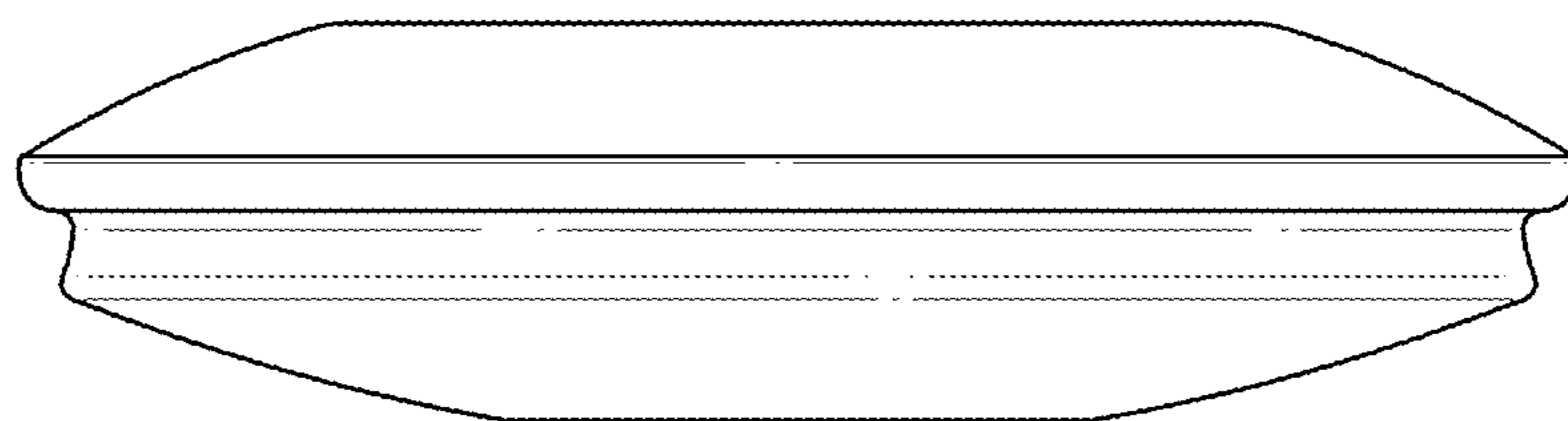
**FIG. 4**



**FIG. 5**



**FIG. 6**



**FIG. 7**

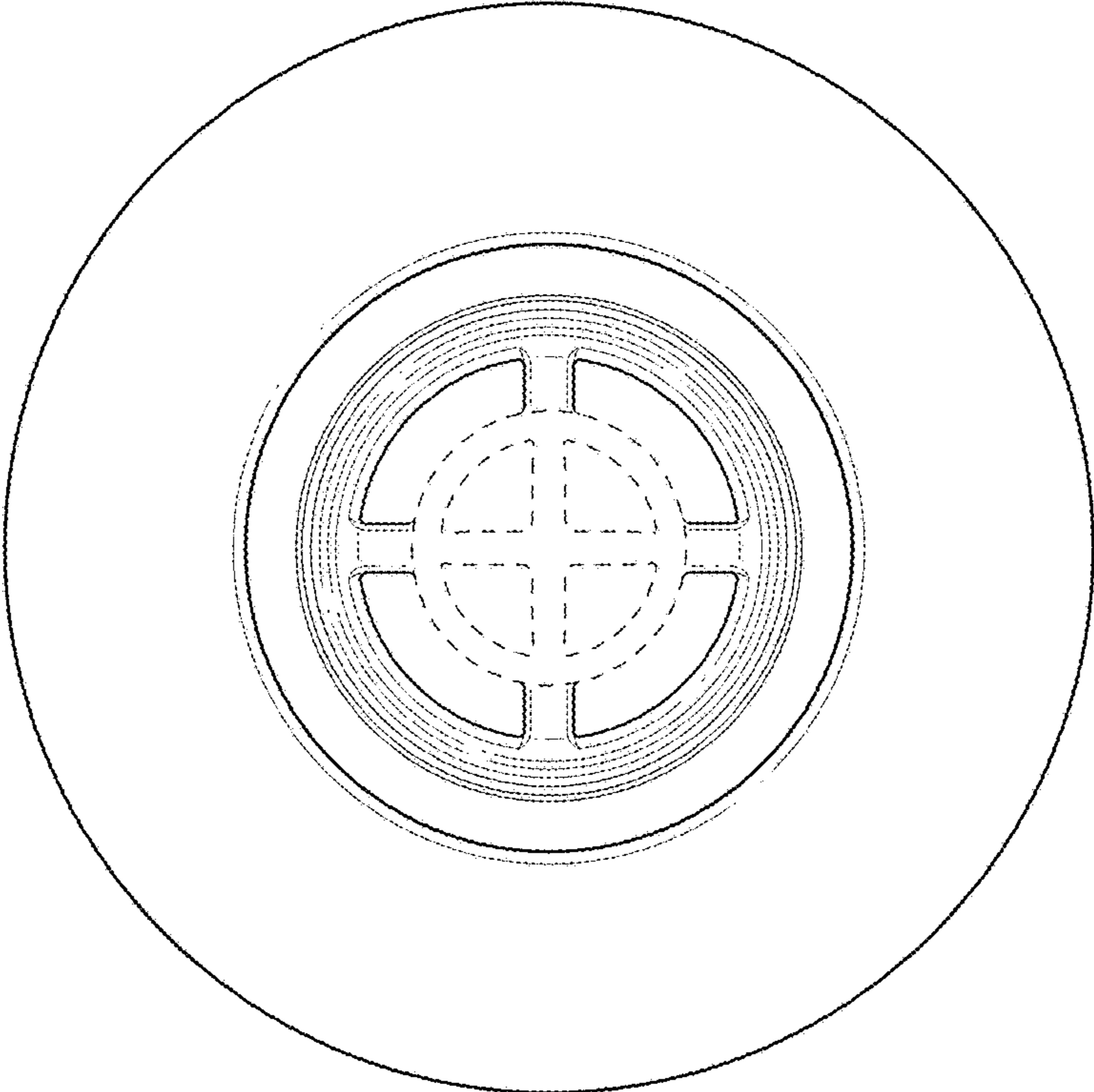


FIG. 8

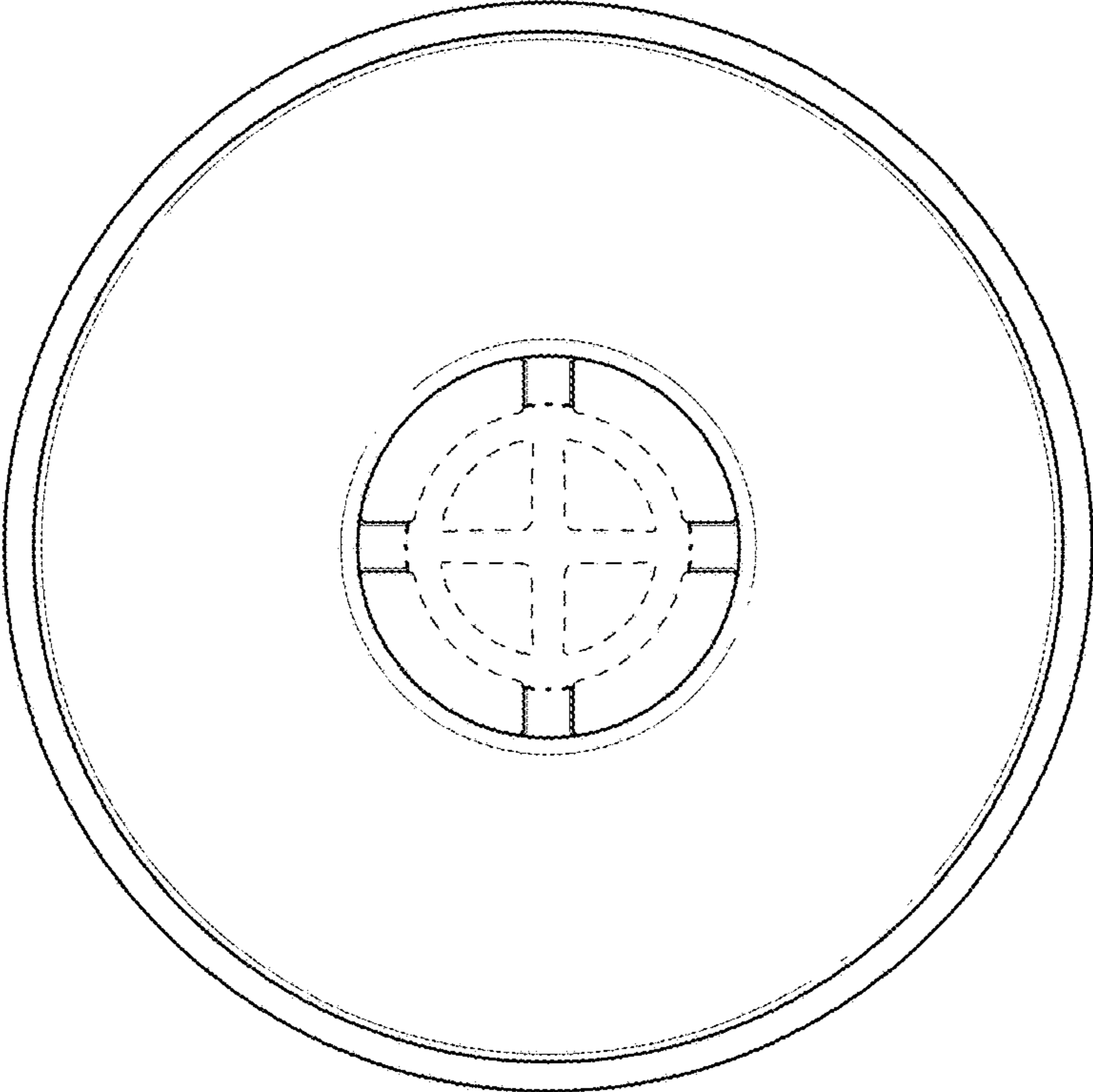


FIG. 9

UNITED STATES PATENT AND TRADEMARK OFFICE  
**CERTIFICATE OF CORRECTION**

PATENT NO. : D815,942 S  
APPLICATION NO. : 29/580884  
DATED : April 24, 2018  
INVENTOR(S) : Marina et al.

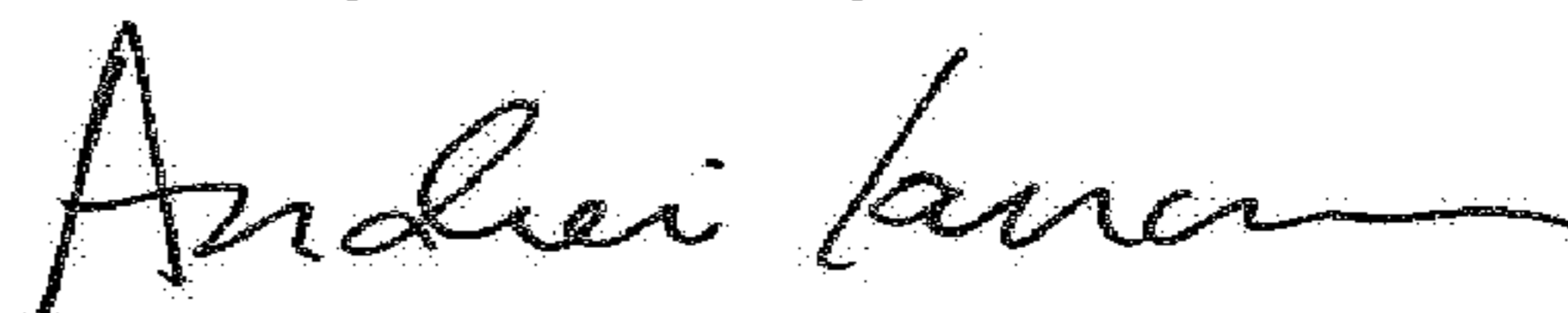
Page 1 of 1

It is certified that error appears in the above-identified patent and that said Letters Patent is hereby corrected as shown below:

On the Title Page

In the "Title" item (54), replace "BEVERAGE INGREDIENT CARTRIDGE OR POD OR THE LIKE" with --PIERCER FOR BEVERAGE INGREDIENT CARTRIDGE OR POD OR THE LIKE--.

Signed and Sealed this  
Twenty-sixth Day of June, 2018



Andrei Iancu  
*Director of the United States Patent and Trademark Office*