



US00D815940S

(12) **United States Design Patent**
Manabe et al.

(10) **Patent No.:** **US D815,940 S**
(45) **Date of Patent:** **** Apr. 24, 2018**

(54) **TOOL FOR FIXING A TENSION MEMBER OF COMPOSITE STRAND FOR PRESTRESSED CONCRETE REINFORCEMENT AND POST TENSIONING CONCRETE STRUCTURE**

2201/2089; F16G 11/00; F16G 11/03; F16G

(Continued)

(56) **References Cited**

U.S. PATENT DOCUMENTS

(71) Applicant: **TOKYO ROPE MFG. CO., LTD.**,
Chuo-ku, Tokyo (JP)

1,401,494 A 12/1921 Rhorer et al.
1,408,144 A * 2/1922 Snow F16G 11/048
403/275

(Continued)

(72) Inventors: **Daisuke Manabe**, Kasumigaura Ibaraki (JP); **Shunji Hachisuka**, Kasumigaura Ibaraki (JP); **Hiroshi Kimura**, Noda Chiba (JP); **Fumihiro Matsuda**, Kasumigaura Ibaraki (JP); **Kohsuke Ashiduka**, Chikushino Fukuoka (JP)

Primary Examiner — Sandra S Snapp

Assistant Examiner — Ieisha N Price

(74) *Attorney, Agent, or Firm* — Holtz, Holtz & Volek PC

(57) **CLAIM**

The ornamental design for a tool for fixing a tension member of composite strand for prestressed concrete reinforcement and post tensioning concrete structure, as shown and described.

(73) Assignee: **TOKYO ROPE MFG. CO., LTD.**,
Tokyo (JP)

DESCRIPTION

(**) Term: **15 Years**

(21) Appl. No.: **29/564,839**

(22) Filed: **May 16, 2016**

(30) **Foreign Application Priority Data**

Dec. 21, 2015 (JP) 2015-028362
Dec. 21, 2015 (JP) 2015-028363

(51) **LOC (11) Cl.** **08-08**

(52) **U.S. Cl.**
USPC **D8/383; D8/382**

(58) **Field of Classification Search**
USPC D8/383, 382, 385, 393, 394, 396, 499,
D8/354, 355, 14, 44, 47, 71, 72
CPC . D07B 1/18; D07B 1/005; D07B 9/00; D07B
2201/20; D07B 2201/2083; D07B
2201/2084; D07B 2201/2085; D07B

FIG. 1 is a front, bottom and left side perspective view of a tool for fixing a tension member of composite strand for prestressed concrete reinforcement and post tensioning concrete structure, showing our new design;

FIG. 2 is a front view thereof;

FIG. 3 is a rear view thereof;

FIG. 4 is a top view thereof;

FIG. 5 is a bottom view thereof;

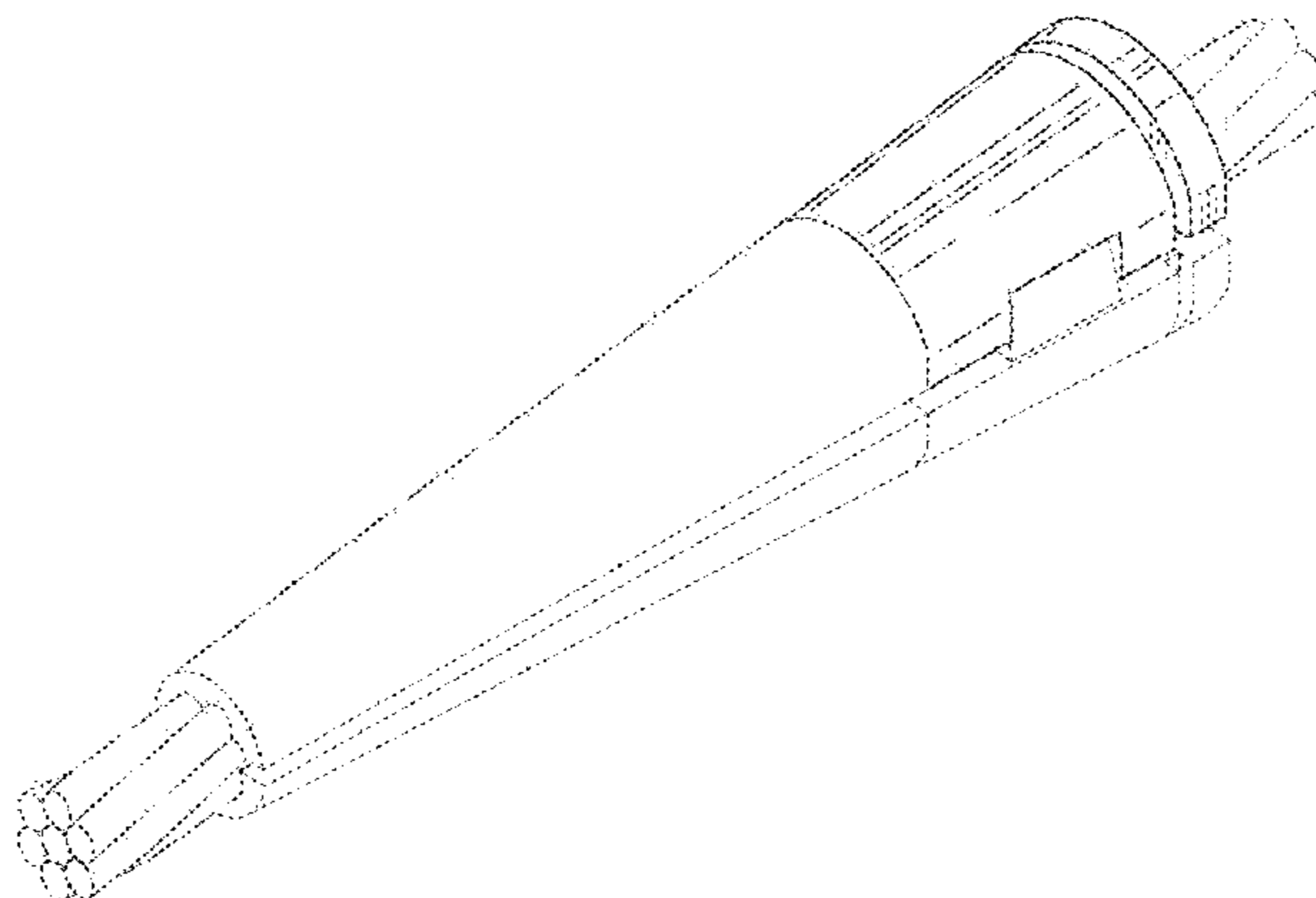
FIG. 6 is a left side view thereof;

FIG. 7 is a right side view thereof;

FIG. 8 is an enlarged sectional view thereof, taken along line 8-8 in FIG. 2; and,

FIG. 9 is a perspective view showing the state of use thereof. The broken lines in the drawings illustrate portions of the tool for fixing a tension member of composite strand for prestressed concrete reinforcement and post tensioning concrete structure and form no part of the claimed design. The broken line showing of the cable in FIG. 9 illustrates the environment of the claimed design and forms no part

(Continued)



thereof. The dot-dash-dot broken lines in the drawings define the bounds of the claim and form no part thereof.

1 Claim, 5 Drawing Sheets

(58) Field of Classification Search

CPC 11/04; F16G 11/048; F16G 11/08; F16G 11/10; F16G 11/105; F16G 11/108
See application file for complete search history.

(56) References Cited

U.S. PATENT DOCUMENTS

1,600,521 A * 9/1926 Smith F16G 11/048
403/211
1,797,194 A * 3/1931 Knapp F16G 11/048
403/370
1,857,436 A * 5/1932 Cole F16G 11/048
24/122.3
1,894,389 A * 1/1933 Geor D07B 9/00
24/122.6
2,075,335 A * 3/1937 Brown F16G 11/14
403/370
2,180,866 A * 11/1939 Cryer E01F 15/06
24/136 R
2,341,922 A * 2/1944 Robbins F16G 11/048
294/102.1
3,254,383 A * 6/1966 Ehmann F16G 11/05
403/275
3,374,511 A * 3/1968 Barker F16G 11/04
403/369

3,475,795 A * 11/1969 Youngblood F16G 11/05
174/135
3,600,014 A * 8/1971 Harris F16G 11/05
174/176
3,676,899 A * 7/1972 Ehlert F16G 11/05
403/247
3,879,147 A * 4/1975 Morell E04C 5/122
24/115 M
3,952,377 A * 4/1976 Morell E04C 5/122
24/136 R
4,066,368 A * 1/1978 Mastalski F16G 11/04
24/115 M
4,509,233 A * 4/1985 Shaw G02B 6/48
24/115 M
5,000,611 A 3/1991 Reinhart
5,211,500 A * 5/1993 Takaki B22D 19/14
403/269
5,233,730 A * 8/1993 Milne E21D 21/008
24/115 M
5,369,849 A * 12/1994 De France F16G 11/048
24/115 M
6,015,953 A * 1/2000 Tosaka H01R 4/20
174/79
D775,085 S * 12/2016 Hachisuka D13/153
9,664,328 B2 5/2017 Tjader
2002/0076274 A1 * 6/2002 Carlsen F16G 11/048
403/314
2012/0141198 A1 * 6/2012 Kondo F16G 11/02
403/361
2012/0240365 A1 * 9/2012 Van der Ende E21B 19/12
24/457
2016/0237615 A1 * 8/2016 Manabe D07B 1/18

* cited by examiner

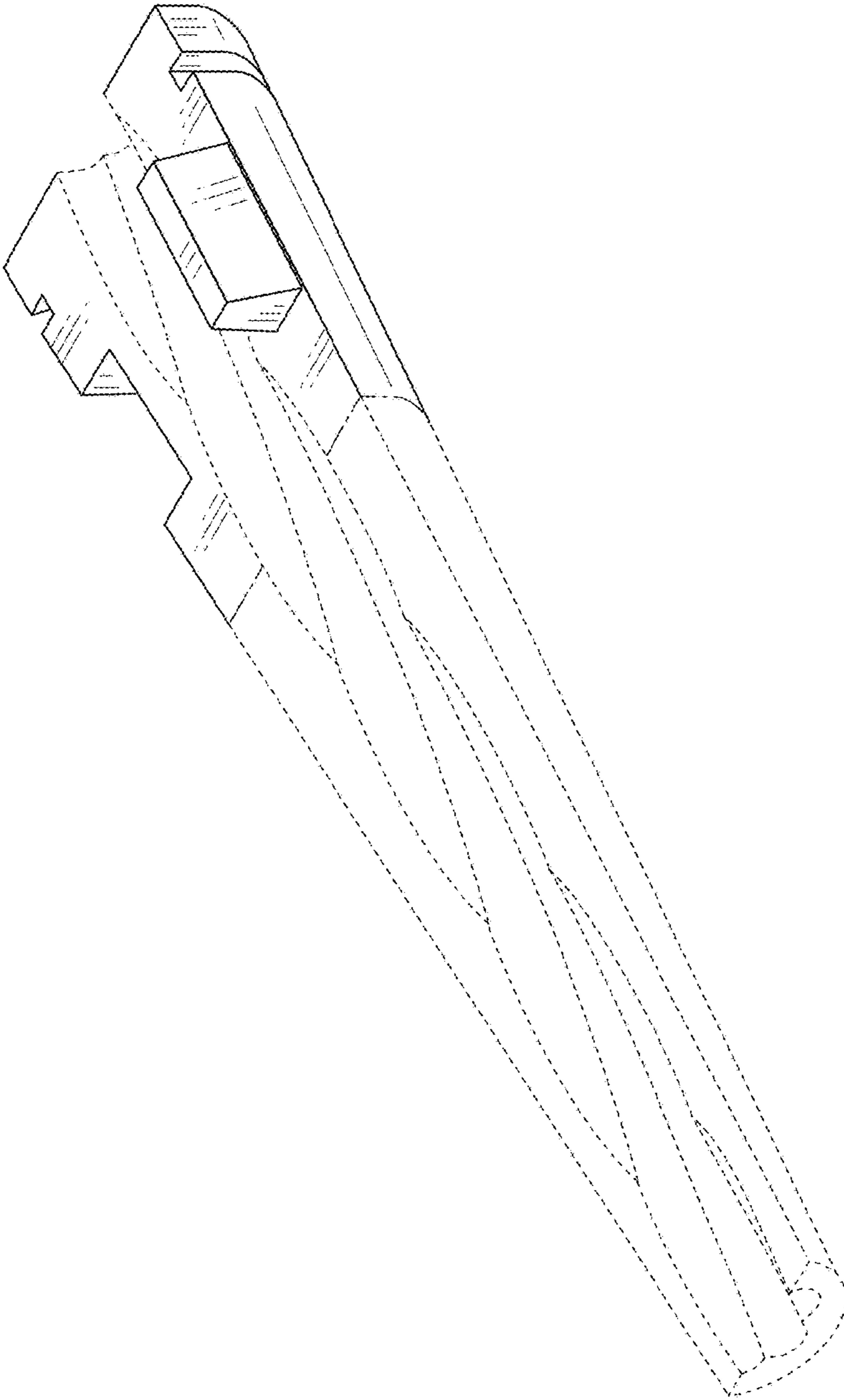


Fig. 1

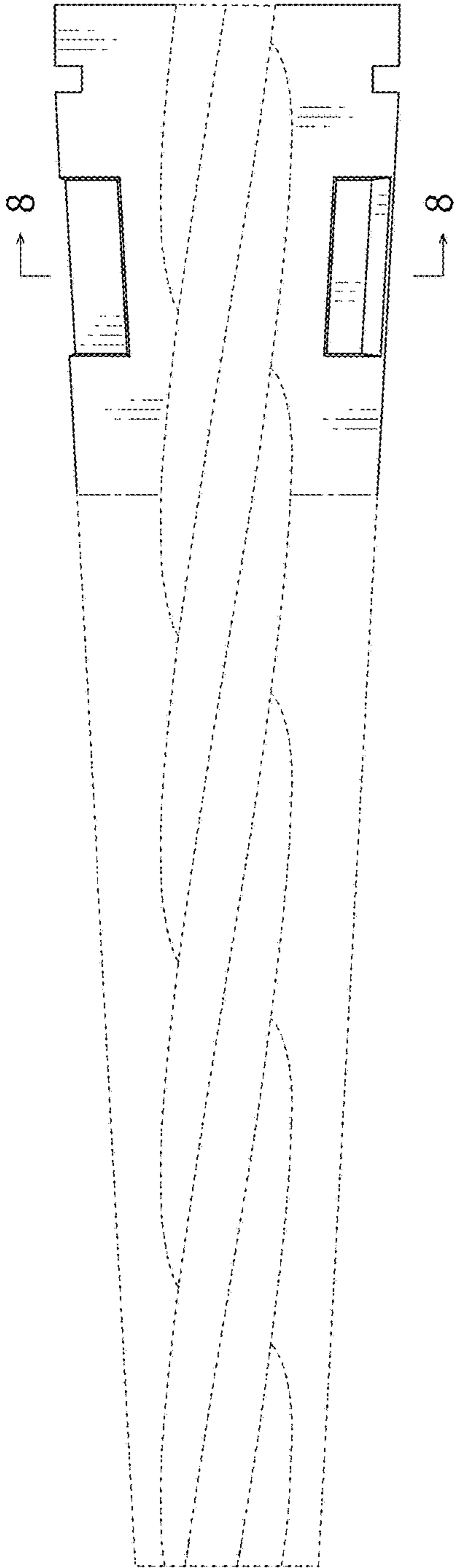


Fig. 2

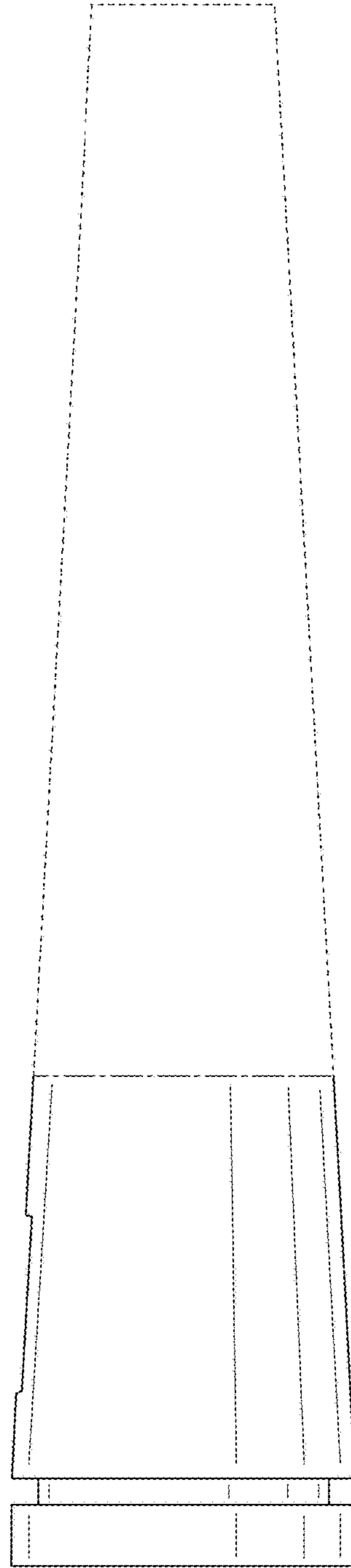


Fig. 3

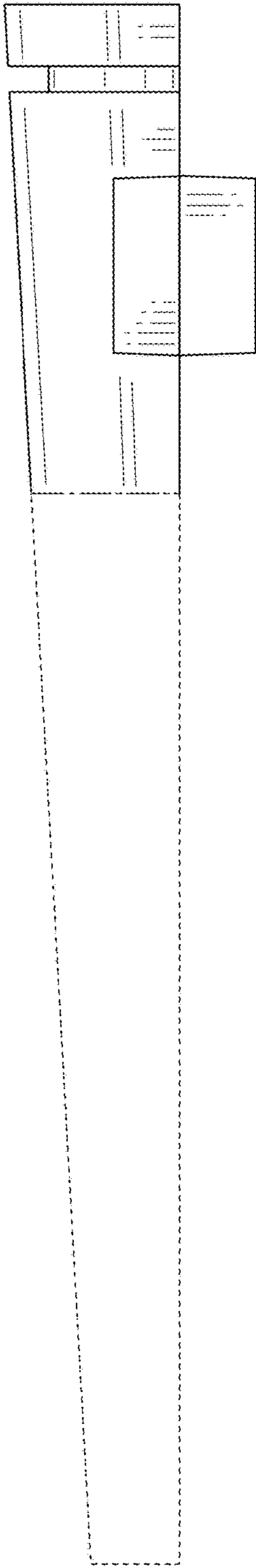


Fig. 4

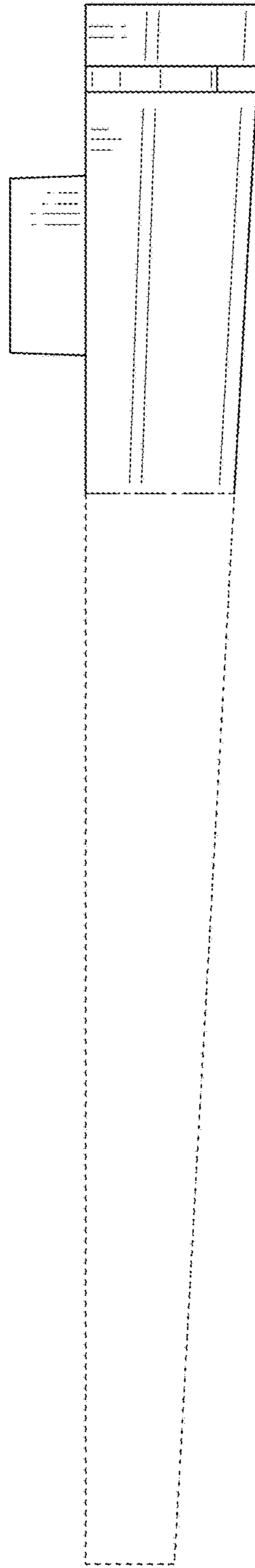


Fig. 5

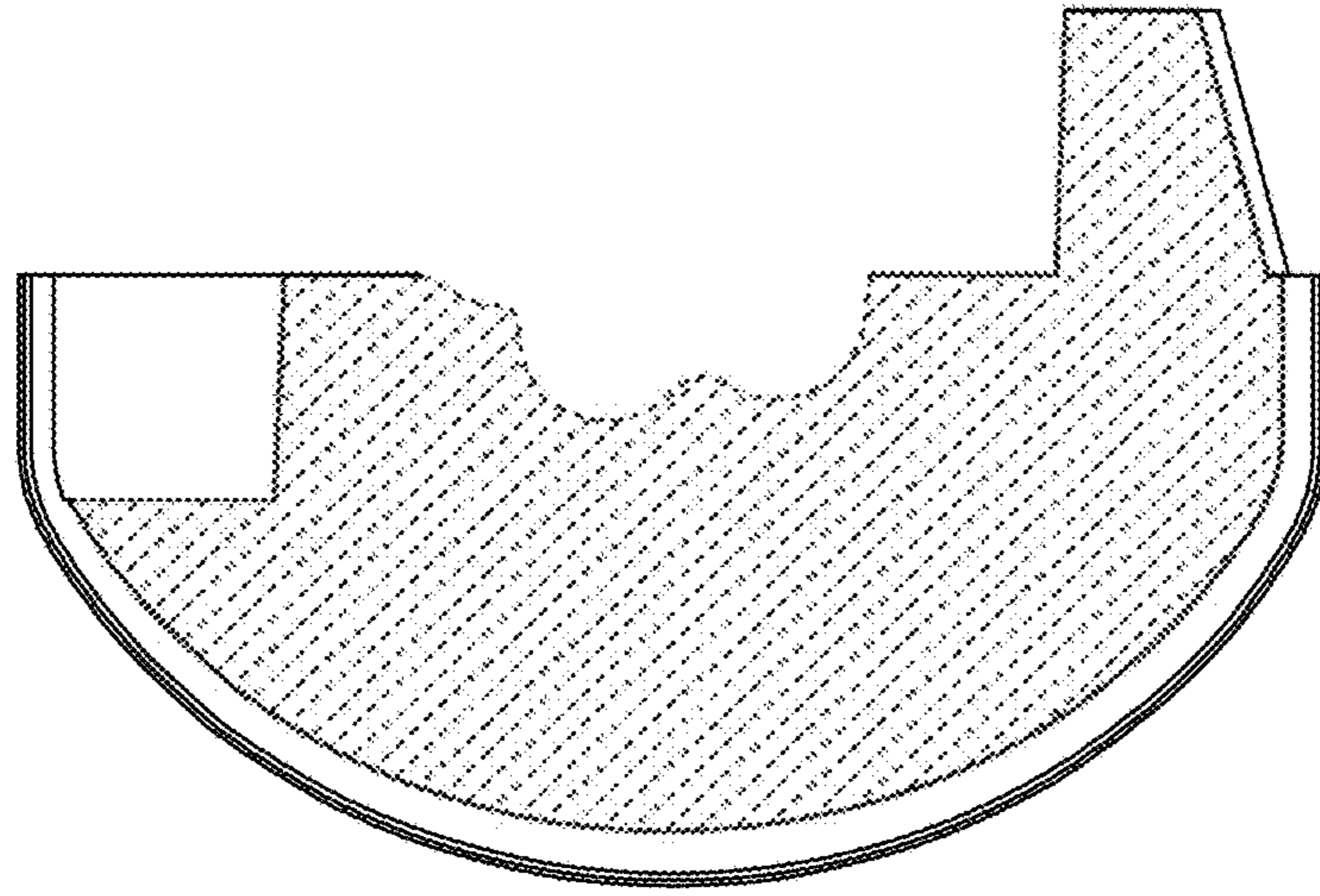


Fig. 8

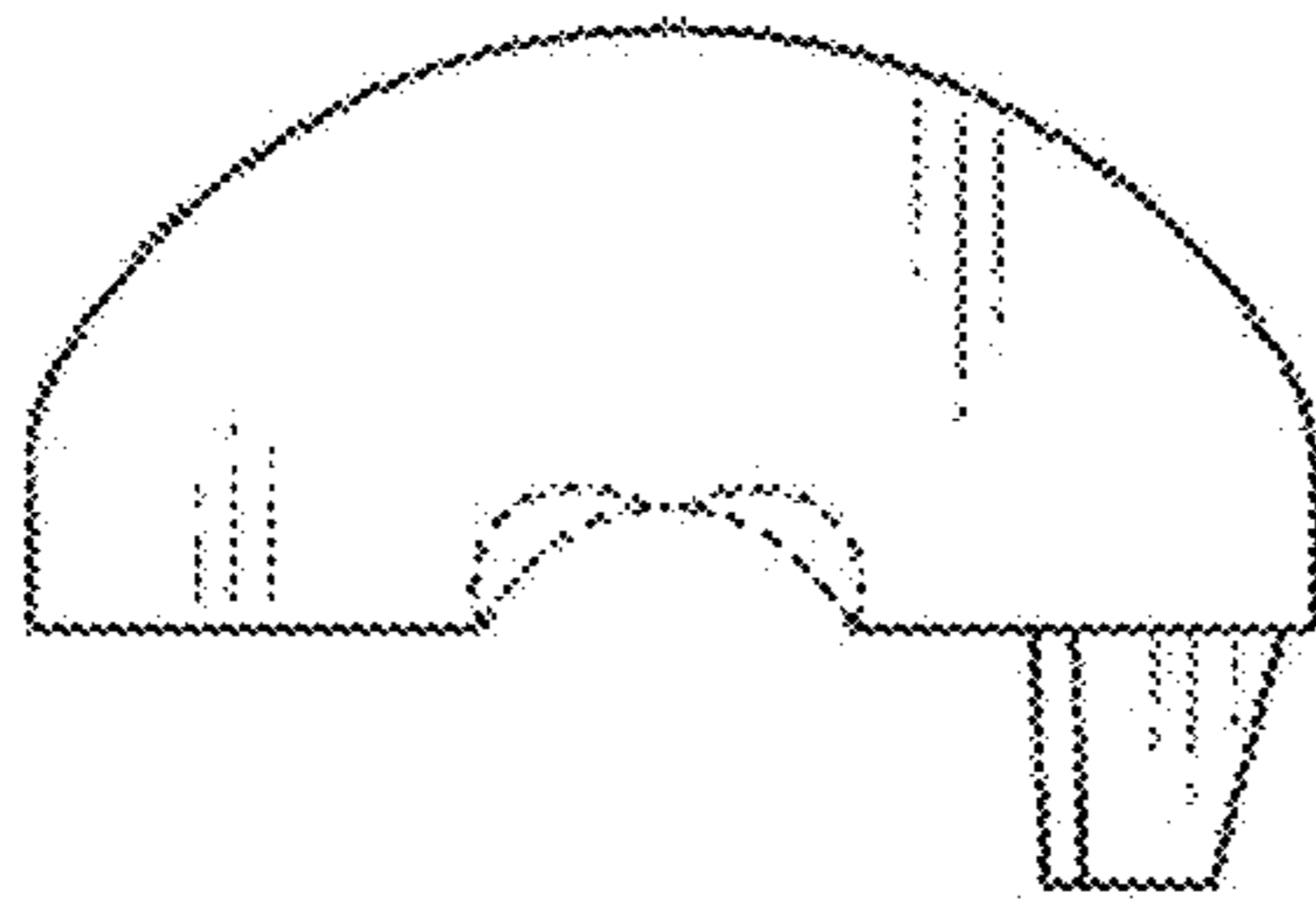


Fig. 7

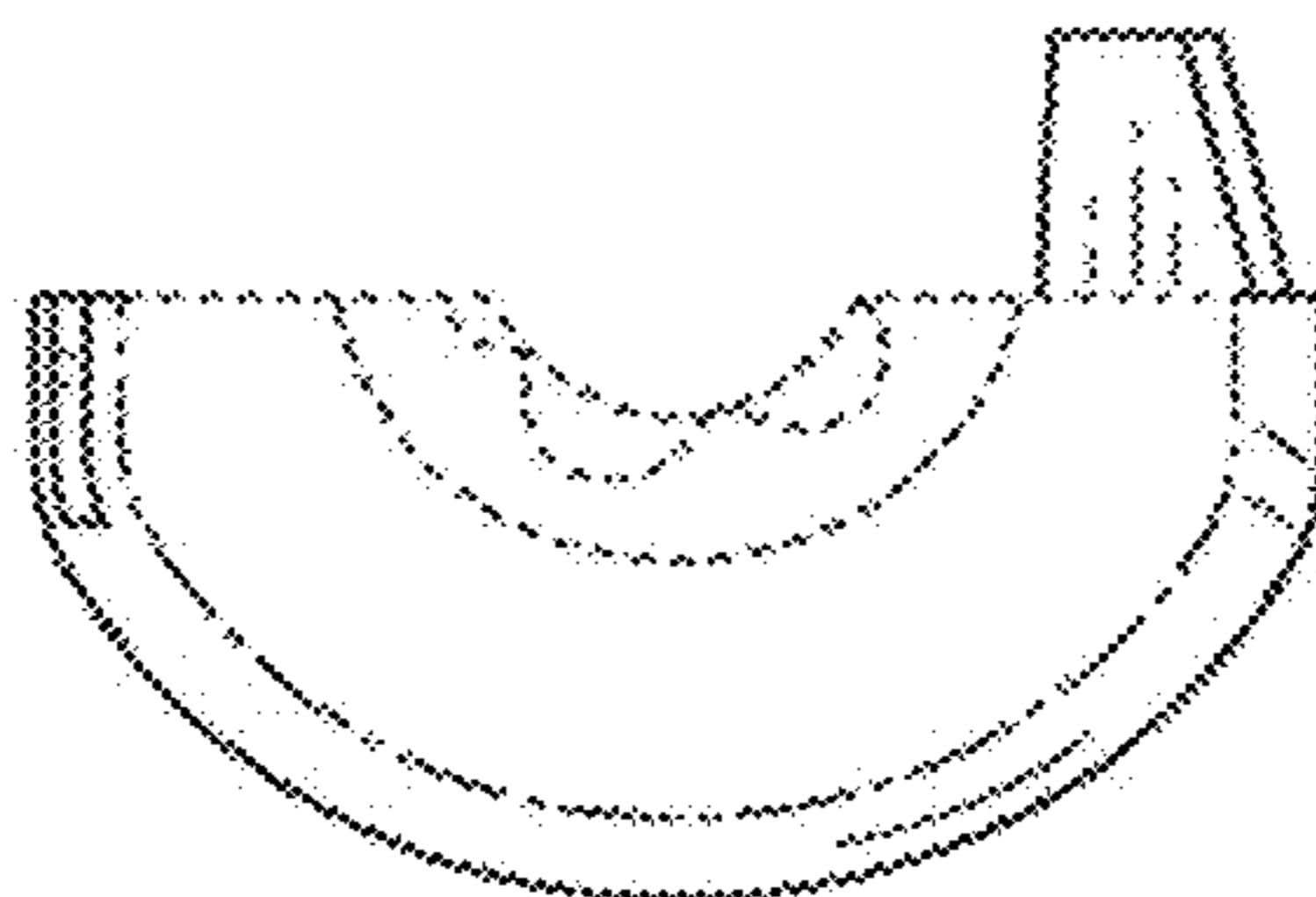


Fig. 6

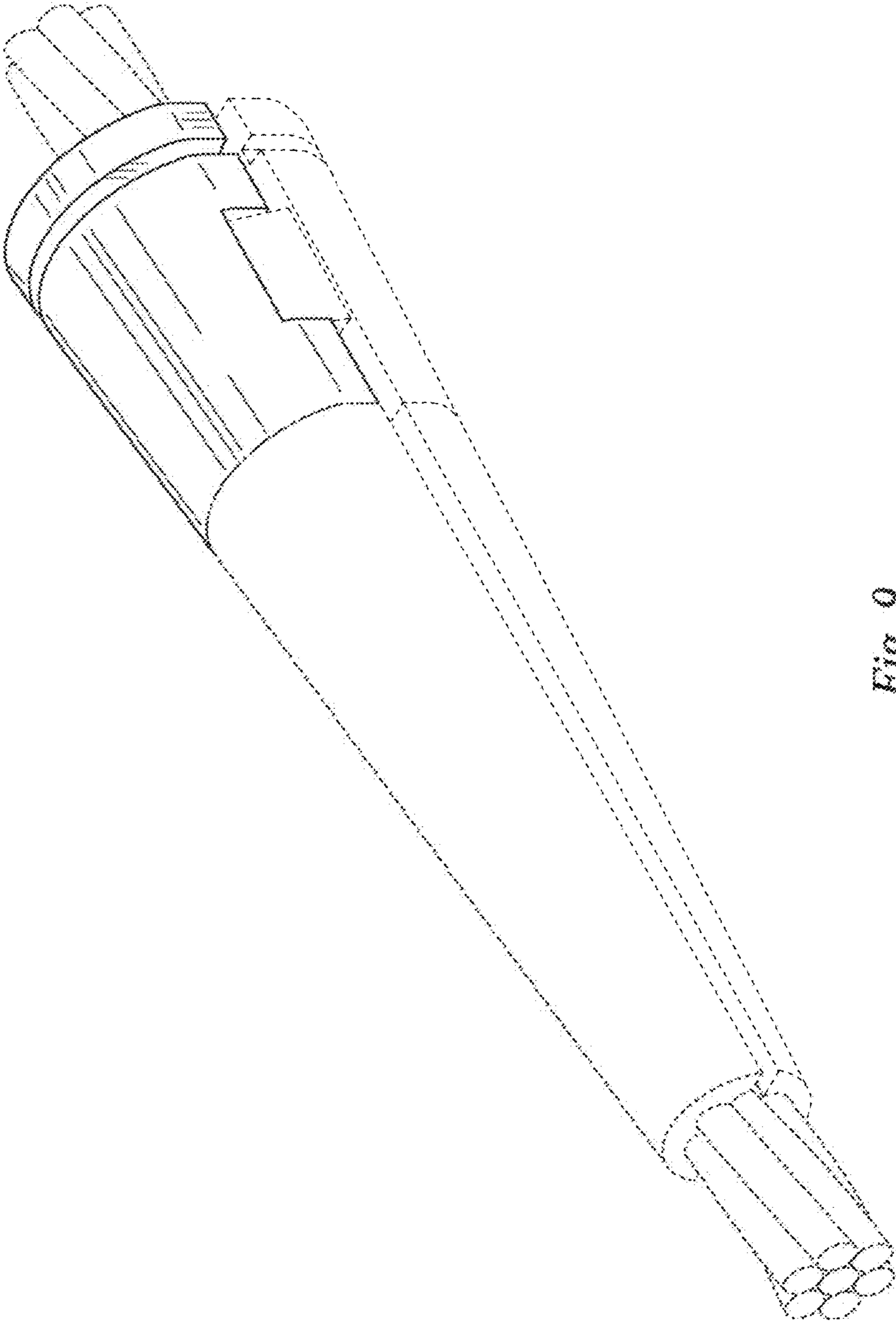


Fig. 9