



US00D815939S

(12) **United States Design Patent** (10) **Patent No.:** **US D815,939 S**
Geiger et al. (45) **Date of Patent:** **** *Apr. 24, 2018**

(54) **BLIND HOLE MOUNT**

FOREIGN PATENT DOCUMENTS

(71) Applicant: **HellermannTyton Corporation**,
Milwaukee, WI (US)

DE 3542669 A1 6/1987
GB 5836 A 10/2013

(72) Inventors: **Gerard G. Geiger**, Jackson, WI (US);
Justin Gallion, Milwaukee, WI (US);
Jonathan Zick, Waukesha, WI (US)

OTHER PUBLICATIONS

International Search Report pertaining to PCT/US2016/048705,
dated Oct. 28, 2016, 8 pages.

(73) Assignee: **HELLERMANN TYTON**
CORPORATION, Milwaukee, WI
(US)

Primary Examiner — Sandra Snapp
Assistant Examiner — Ieisha Price

(74) *Attorney, Agent, or Firm* — Craig A. Baldwin

(*) Notice: This patent is subject to a terminal dis-
claimer.

(57) **CLAIM**

The ornamental design for a blind hole mount, as shown and
described.

(**) Term: **15 Years**

DESCRIPTION

(21) Appl. No.: **29/575,516**

(22) Filed: **Aug. 25, 2016**

(51) **LOC (11) Cl.** **08-08**

(52) **U.S. Cl.**
USPC **D8/382**

(58) **Field of Classification Search**
USPC D8/14, 16, 71, 72, 106, 349, 354, 355,
D8/366, 373, 380, 382, 394, 398, 499
CPC F16B 2/20; F16B 5/12; F16B 7/04; F16B
9/023; F16B 12/10; F16B 12/20; F16B
12/32; F16B 5/06; F16B 21/073; F16B
5/0614; Y10T 24/44026; Y10T 24/44641;
H02G 3/32

See application file for complete search history.

(56) **References Cited**

U.S. PATENT DOCUMENTS

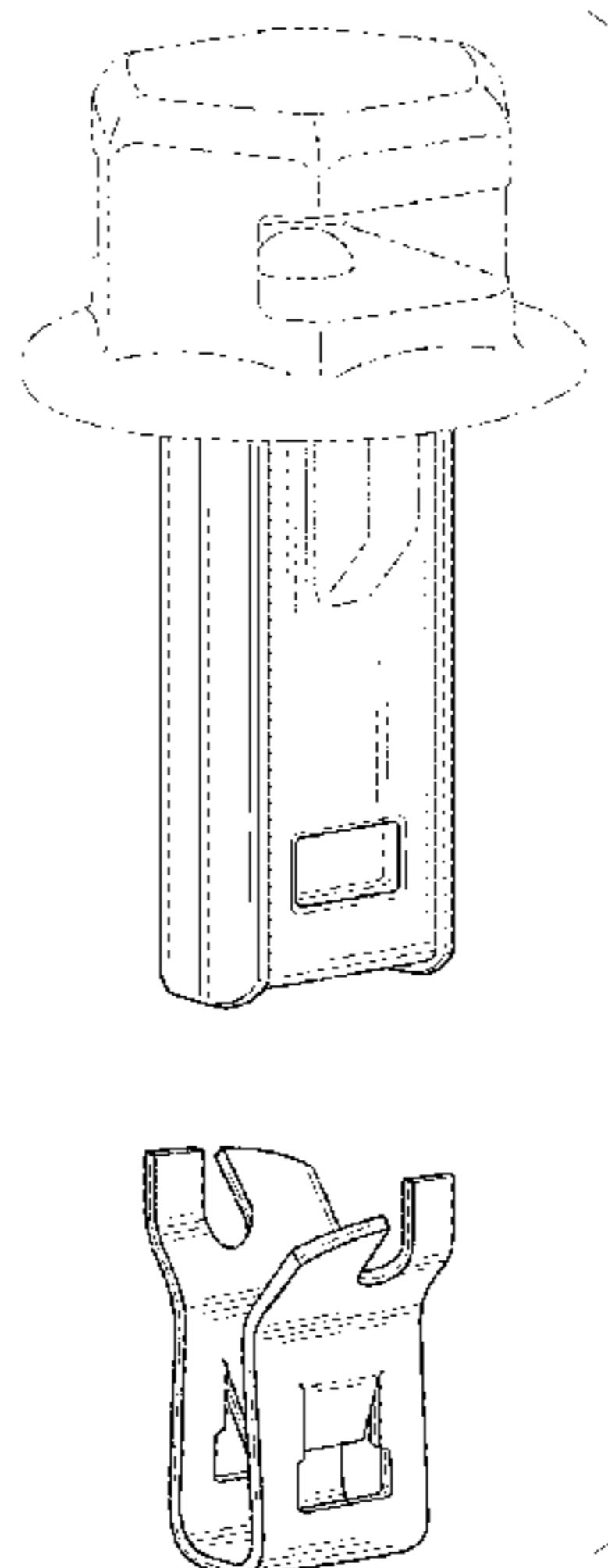
2,278,691 A 3/1938 Cotter
2,940,145 A * 6/1960 Fernberg F16B 5/06
40/666
3,024,509 A * 3/1962 Hamann F16B 5/06
24/453

FIG. 1 is a perspective view of the clip portion of the blind
hole mount of FIG. 6, the clip portion removed for ease of
illustration;
FIG. 2 is a front elevation view thereof, the rear elevation
view being identical thereto;
FIG. 3 is a right side elevation view thereof, the left side
elevation view being identical thereto;
FIG. 4 is a top plan view thereof;
FIG. 5 is a bottom plan view thereof;
FIG. 6 is an exploded perspective view of the blind hole
mount, the blind hole mount comprised of a base portion and
a clip portion;
FIG. 7 is a perspective view of the blind hole mount;
FIG. 8 is a front elevation view thereof, the rear elevation
view being identical thereto;
FIG. 9 is a right side elevation view thereof, the left side
elevation view being identical thereto;
FIG. 10 is a top plan view thereof; and,
FIG. 11 is a bottom plan view thereof.

The broken lines are for the purpose of illustrating the
environment of the article only and form no part of the
claimed design.

(Continued)

1 Claim, 3 Drawing Sheets



(56)

References Cited

U.S. PATENT DOCUMENTS

3,276,800	A *	10/1966	Loudon	F16L 3/24	D722,491	S	2/2015	Ramsauer
					248/228.7	D722,492	S	2/2015	Ramsauer
3,525,129	A *	8/1970	Holton	F16B 2/241	D722,493	S	2/2015	Ramsauer
					24/295	D730,161	S	5/2015	Veilleux
3,673,643	A *	7/1972	Kindell	F16B 2/241	D737,116	S	8/2015	Lussier
					126/190	D739,221	S	9/2015	Sendra-Gonzalez
D315,673	S *	3/1991	Paul	D8/382	D743,184	S	11/2015	Lin
5,127,577	A	7/1992	Lynch			D762,105	S	7/2016	Prevost
5,148,981	A	9/1992	Lynch			D763,066	S	8/2016	Sugimoto
5,347,690	A	9/1994	Mansoor			D767,372	S *	9/2016	Itou
5,388,791	A	2/1995	McCrary						H02G 3/26 D8/356
5,563,450	A	10/1996	Bader			D769,107	S	10/2016	McLaren Hall
5,887,319	A	3/1999	Smith			D774,872	S	12/2016	Prevost
D532,291	S	11/2006	Geers			2002/0001502	A1 *	1/2002	Smith
D545,183	S	6/2007	French						F16B 2/20 403/194
D572,129	S *	7/2008	Keays	24/297	2004/0072457	A1	4/2004	Conway
D613,589	S	4/2010	Goodman			2005/0217082	A1 *	10/2005	Vassiliou
D616,431	S	5/2010	Hijmans						F16B 5/0614 24/294
8,544,229	B2 *	10/2013	Kilgore	E04F 15/02044	2005/0242247	A1	11/2005	Geiger
					52/177	2008/0271297	A1 *	11/2008	Dubost
D716,641	S	11/2014	Goodman						B60R 13/0206 24/293
						2012/0217355	A1	8/2012	Geiger et al.
						2016/0320034	A1	11/2016	Wessel
						2017/0059060	A1 *	3/2017	Gallion
									F16B 1/00

* cited by examiner

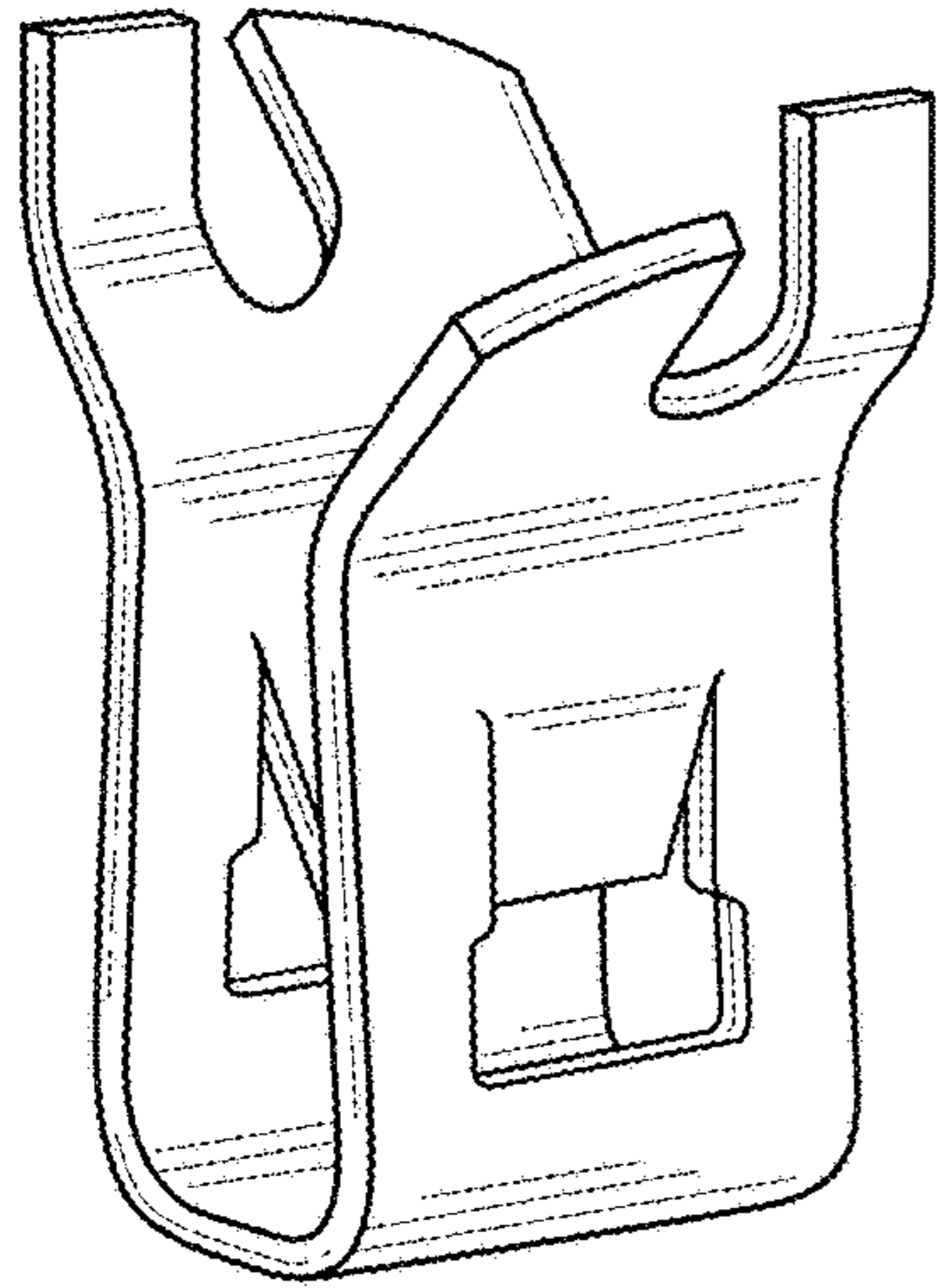


Fig. 1

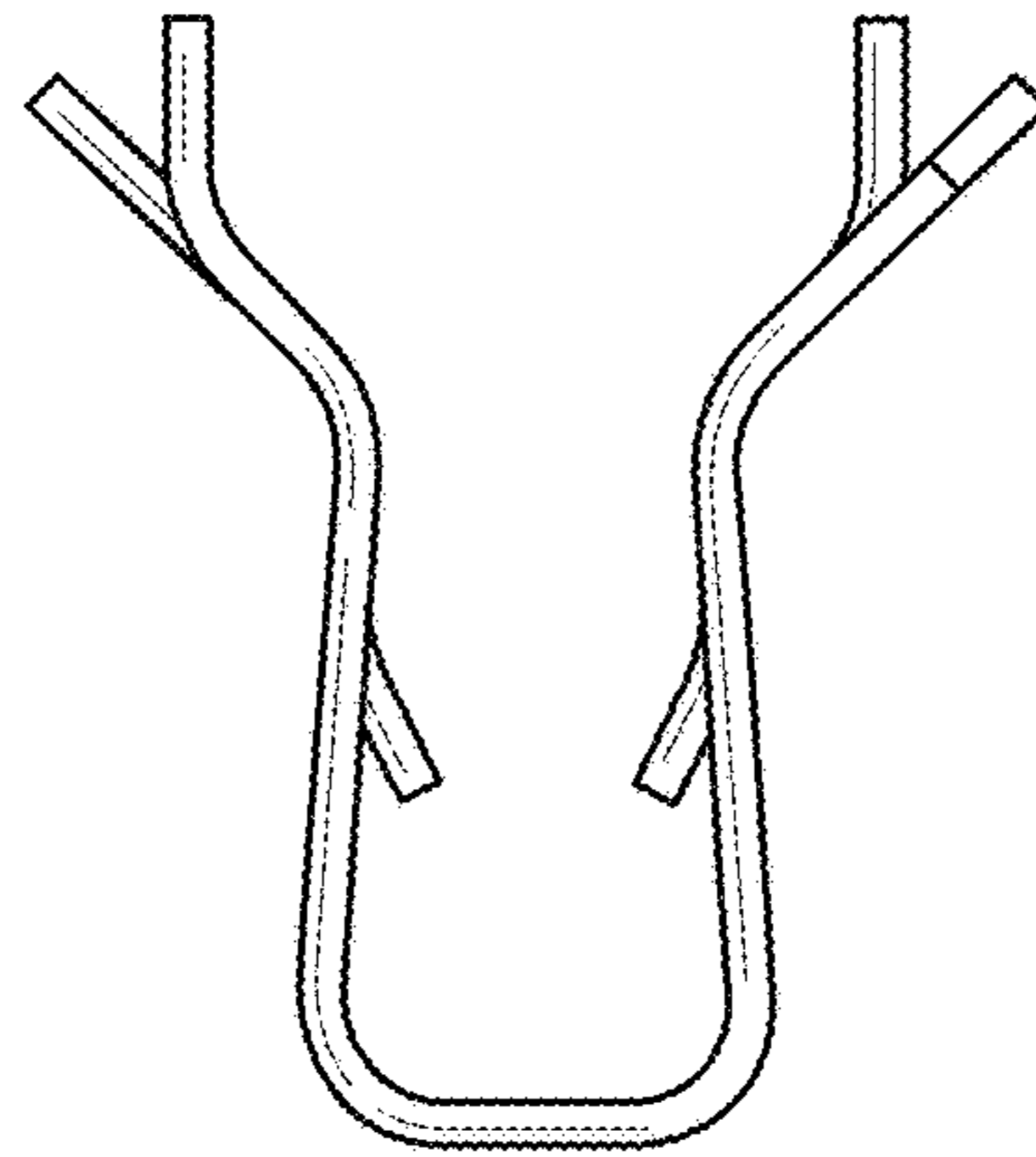


Fig. 2

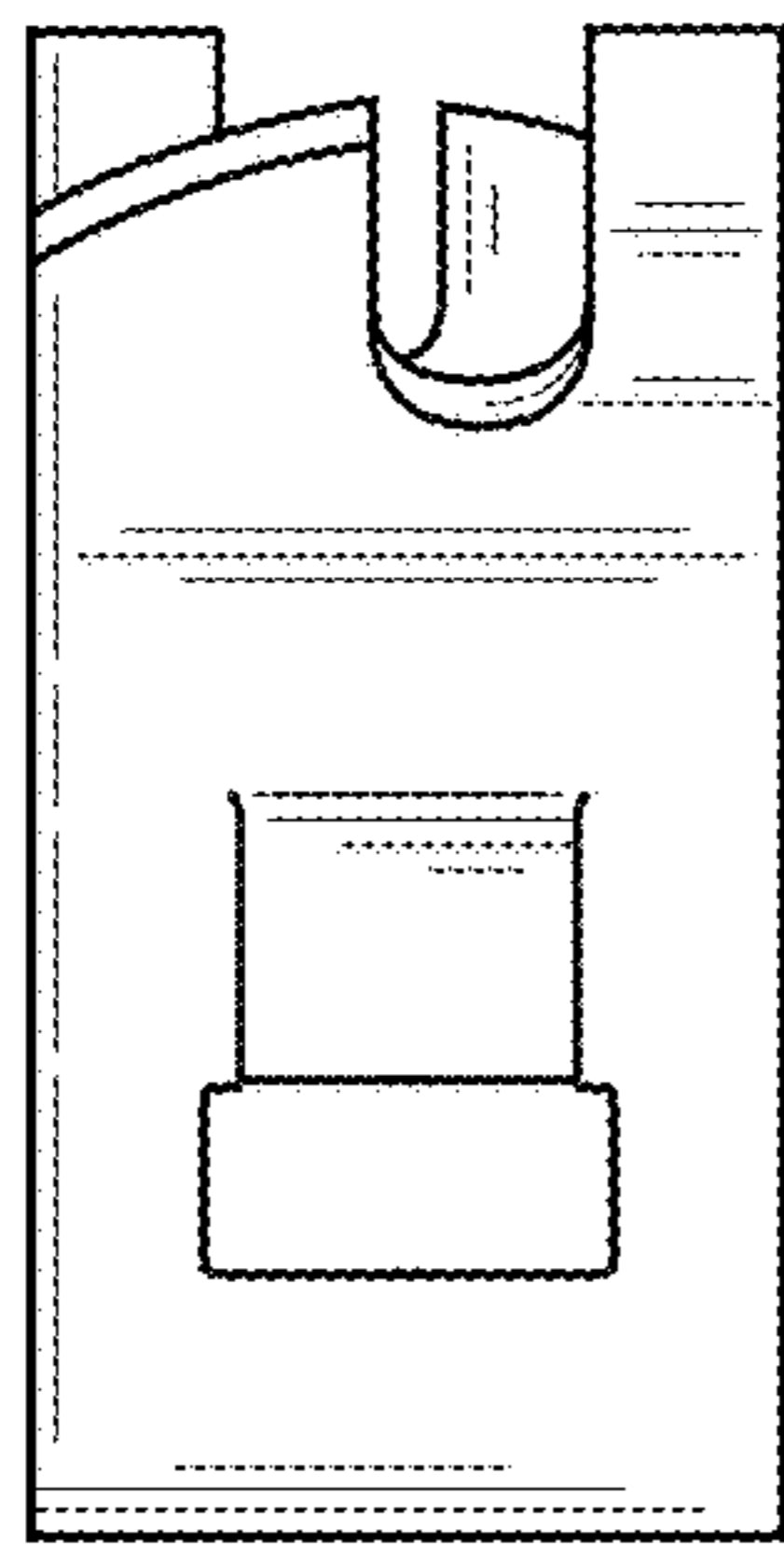


Fig. 3

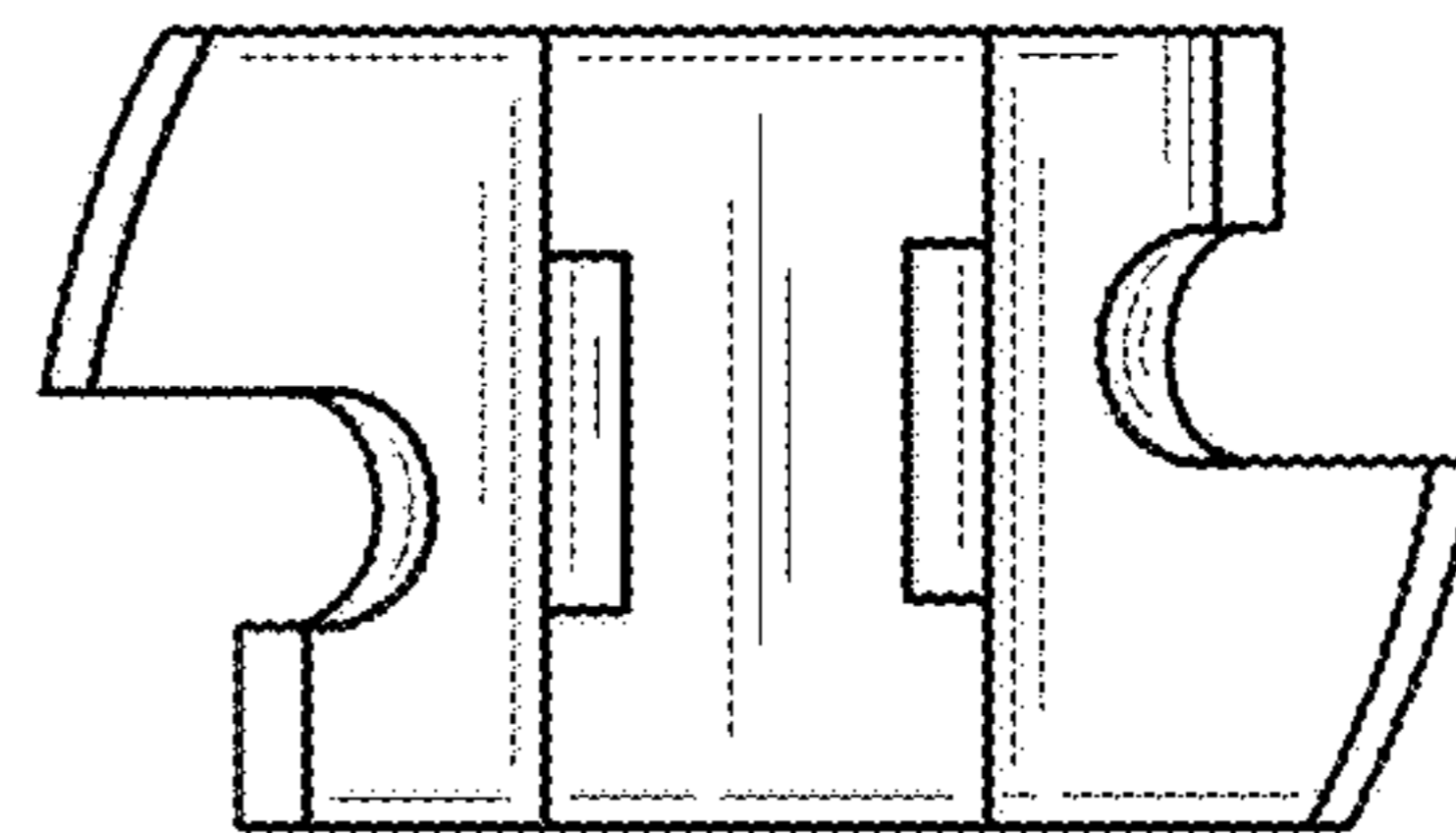


Fig. 4

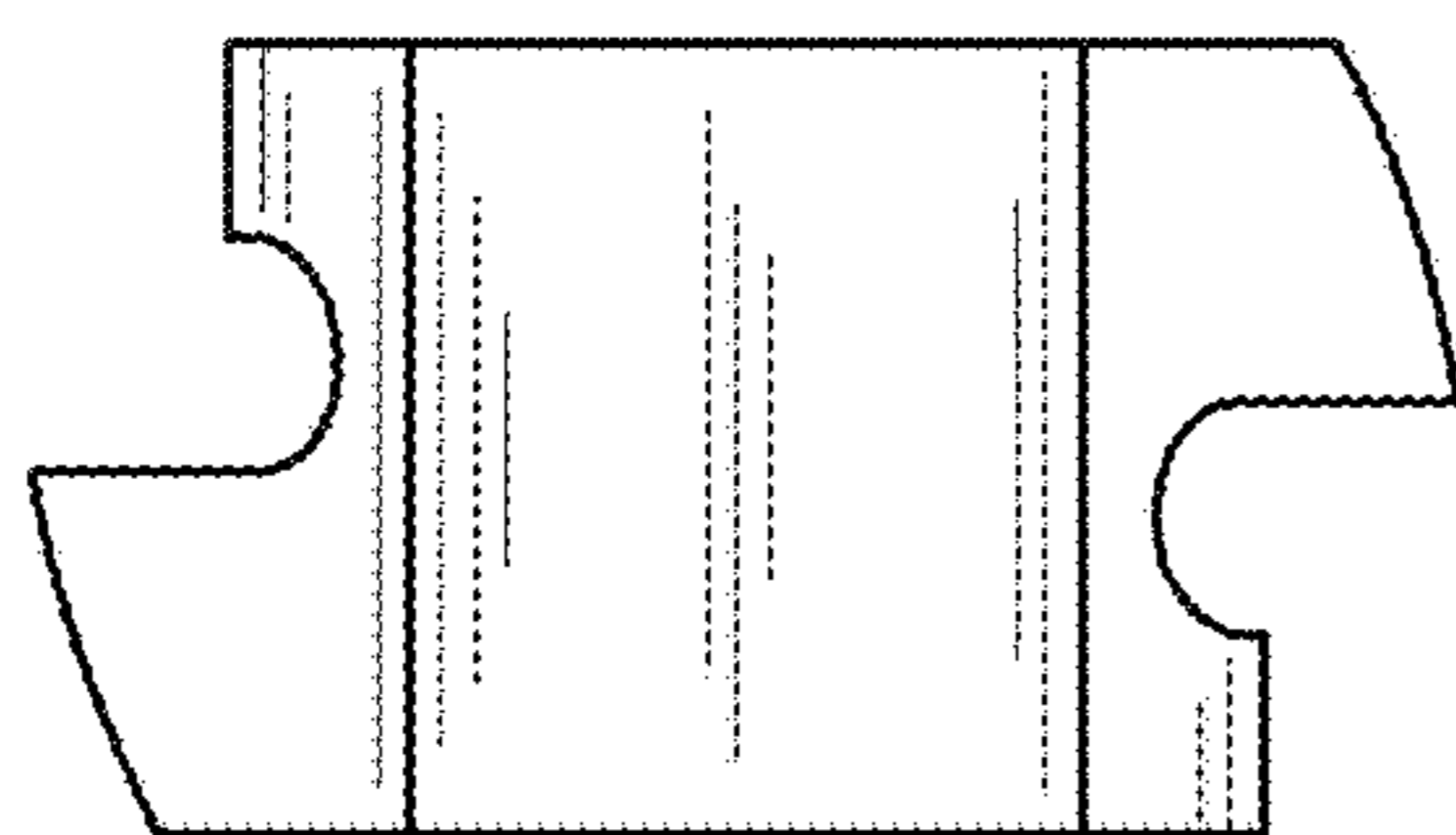


Fig. 5

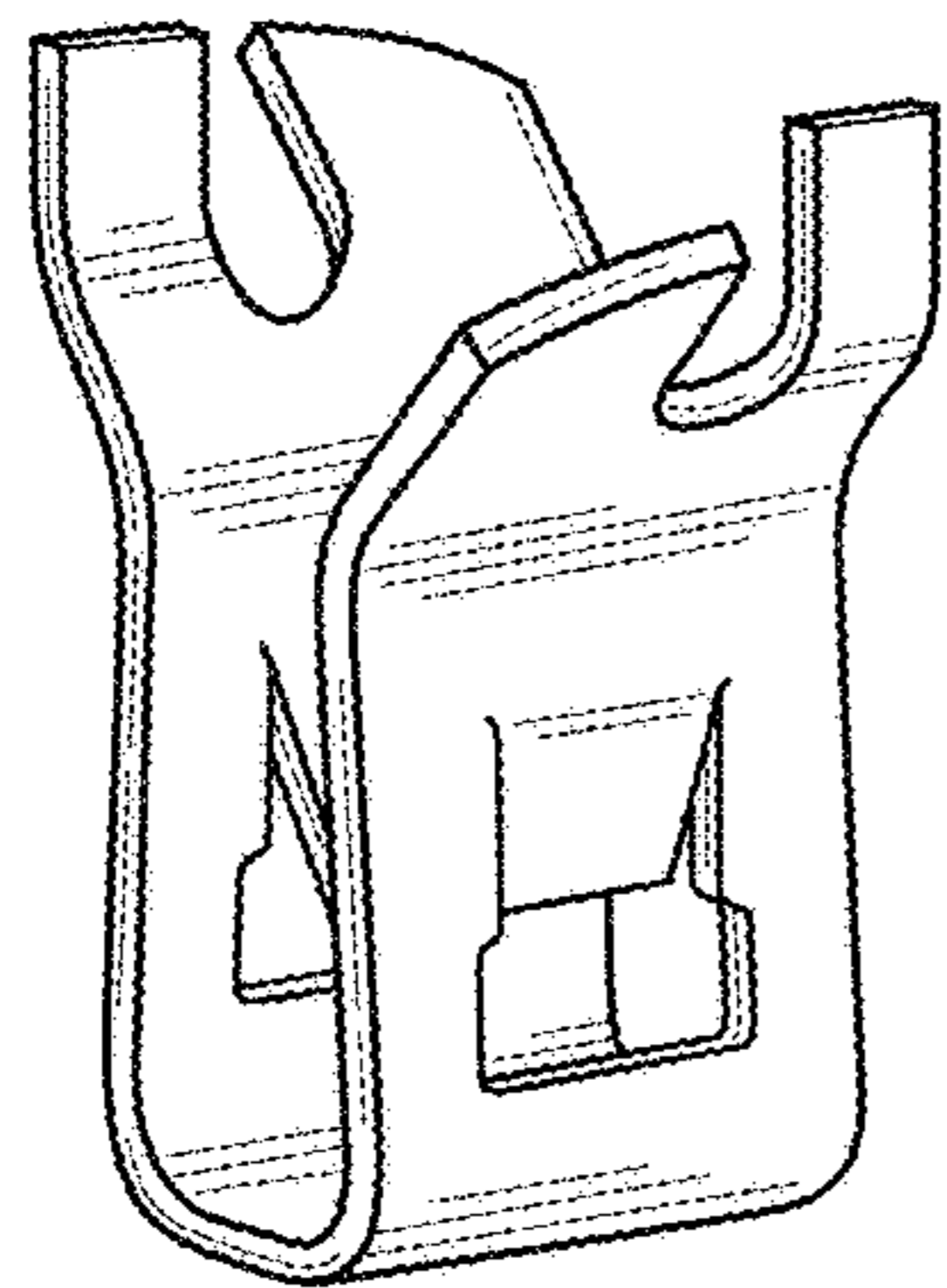
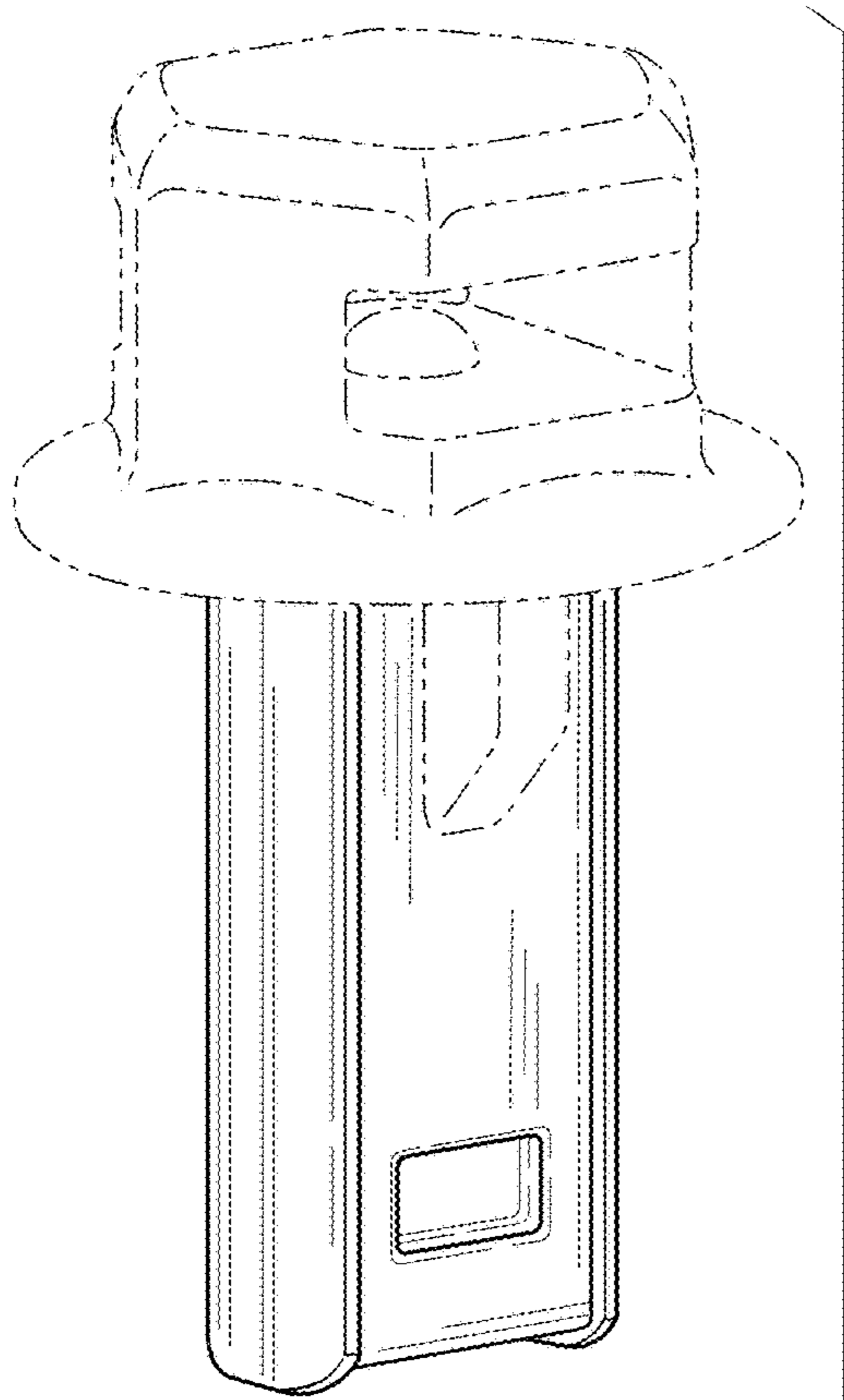


Fig. 6

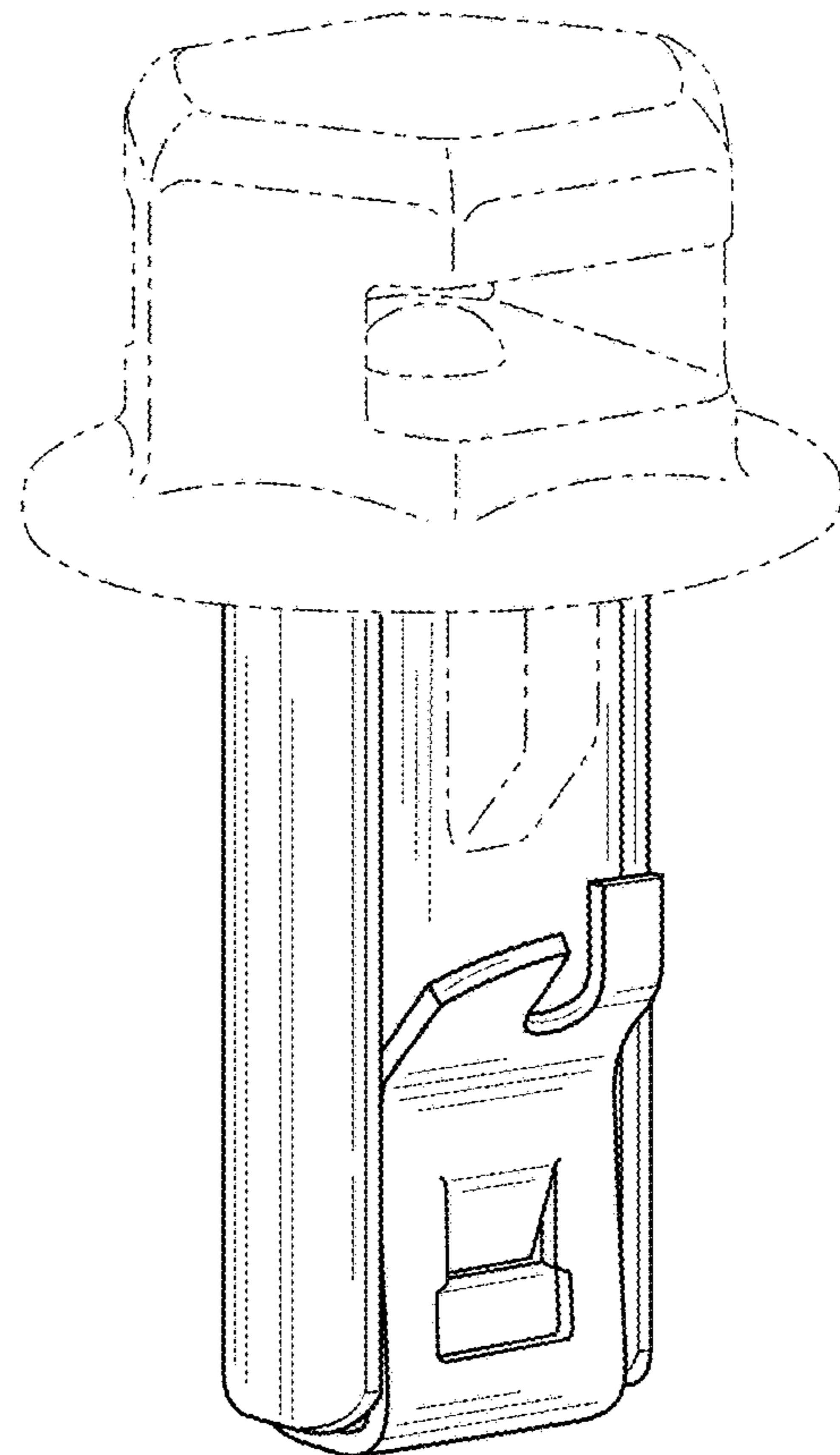


Fig. 7

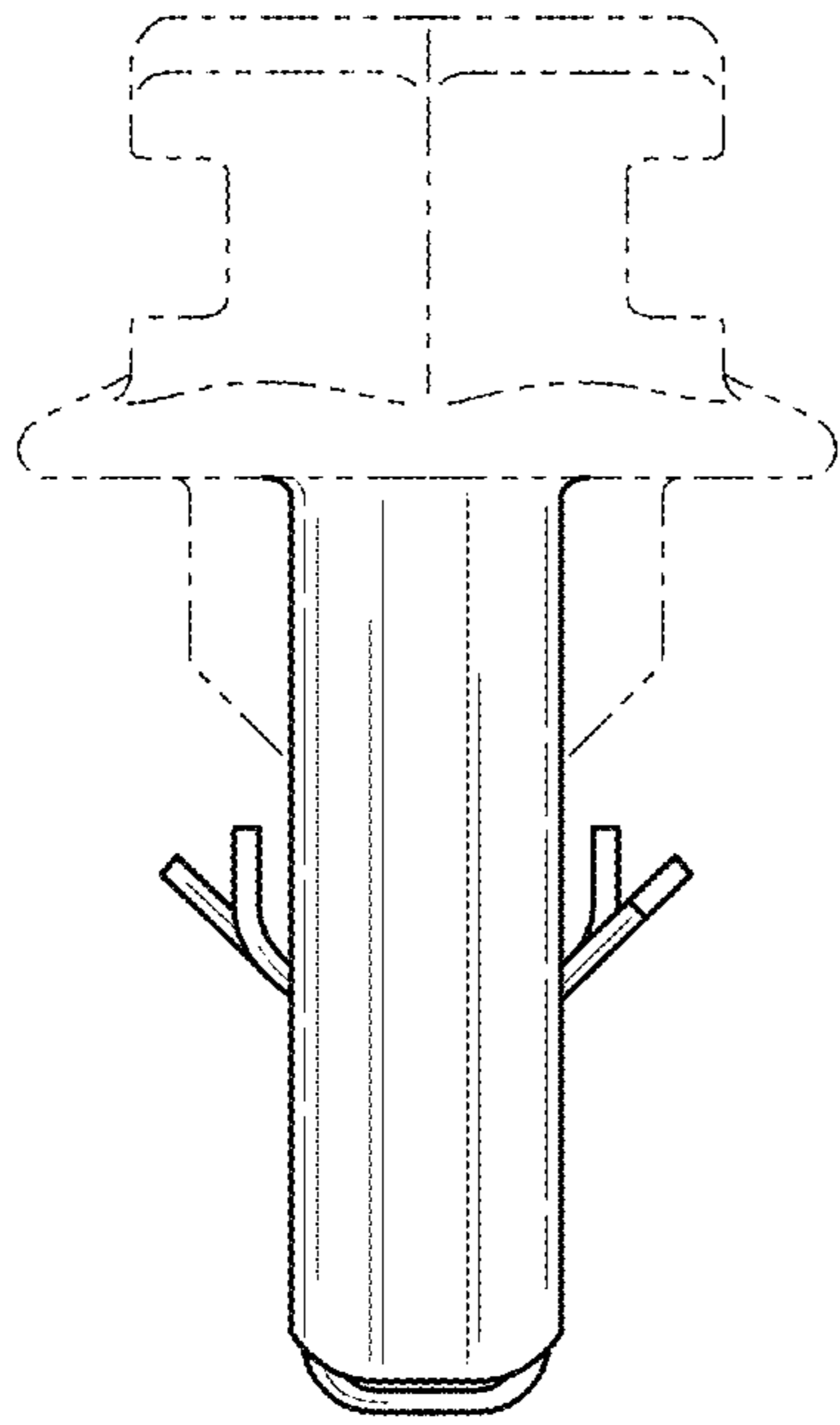


Fig. 8

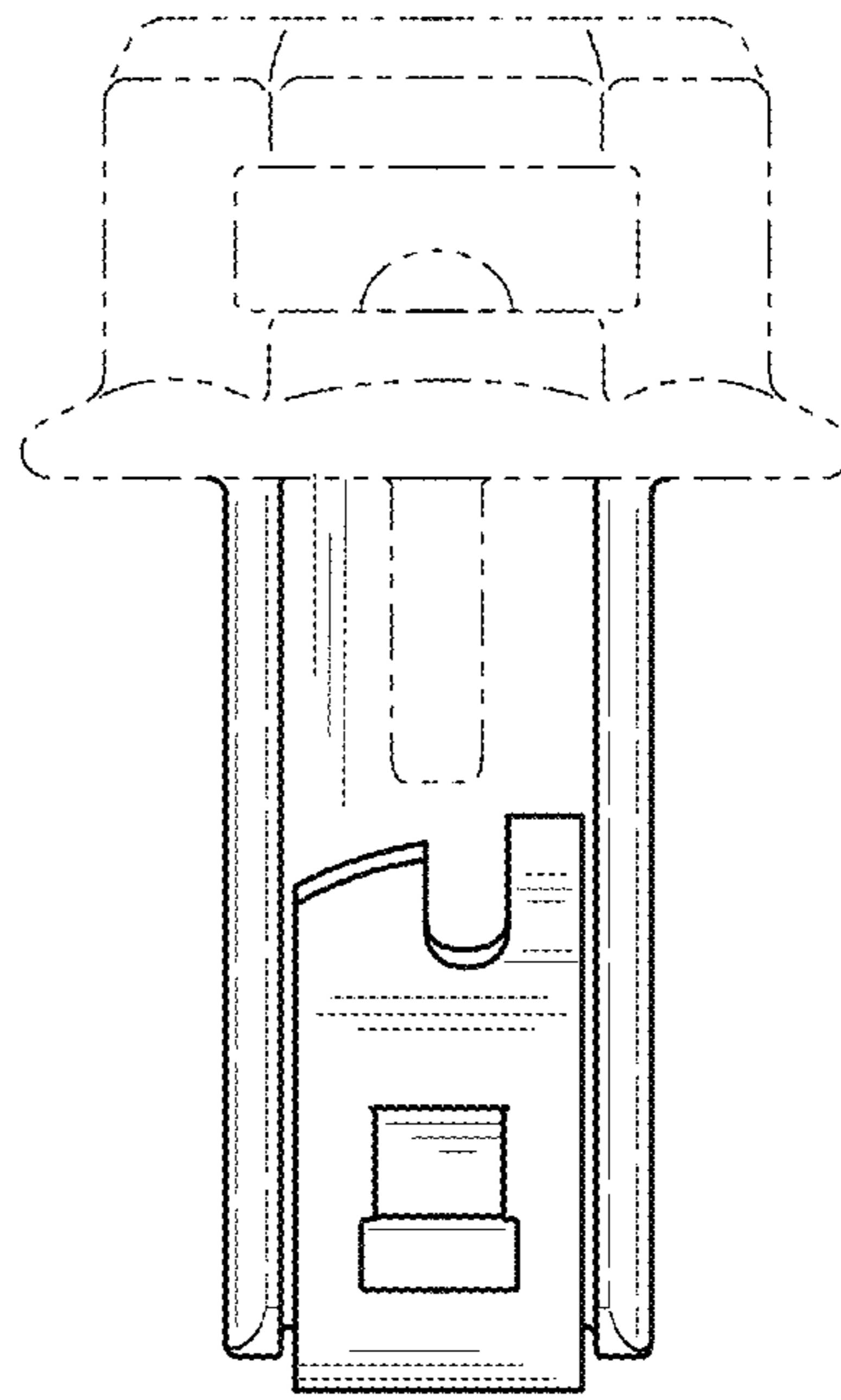


Fig. 9

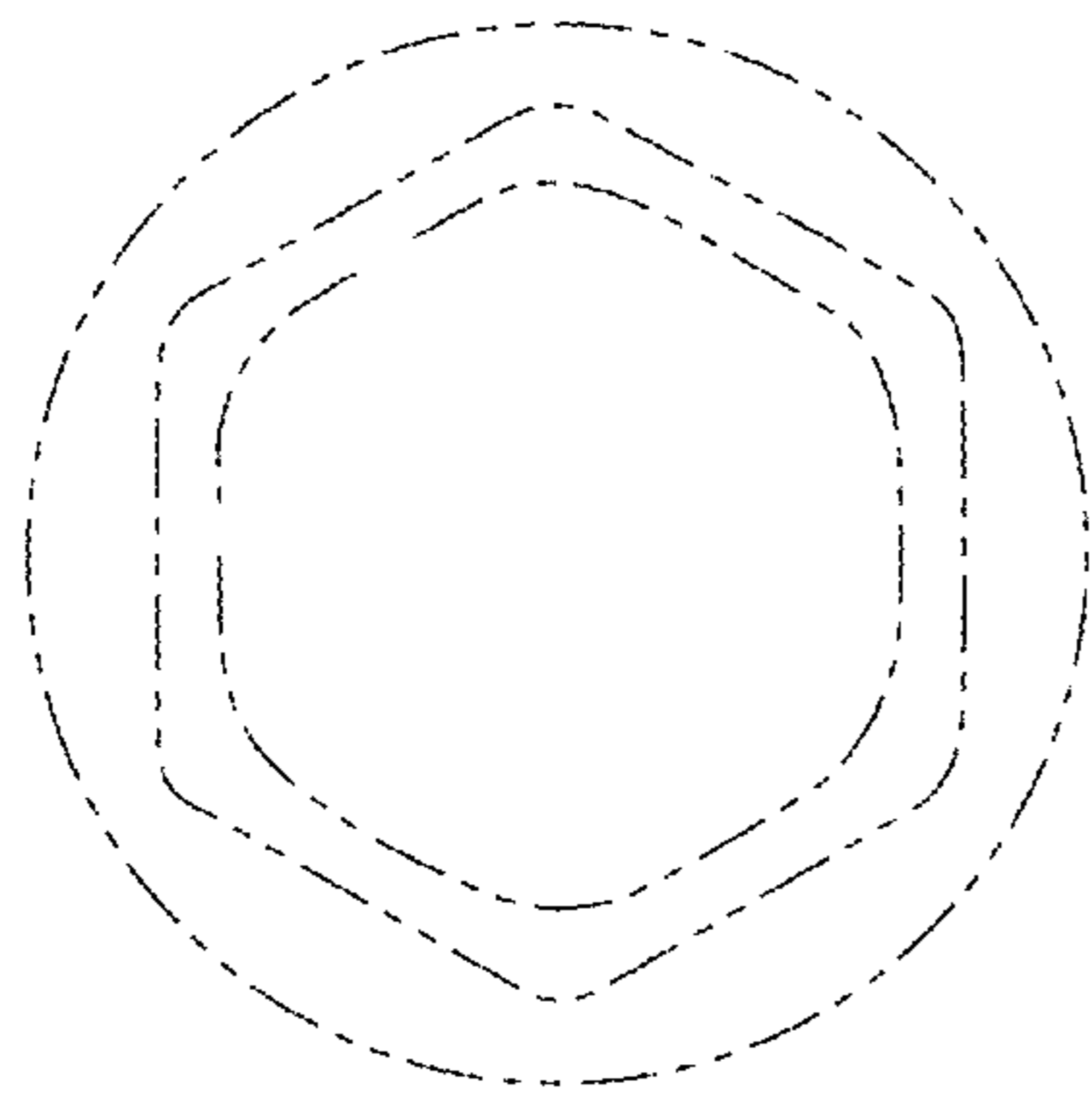


Fig. 10

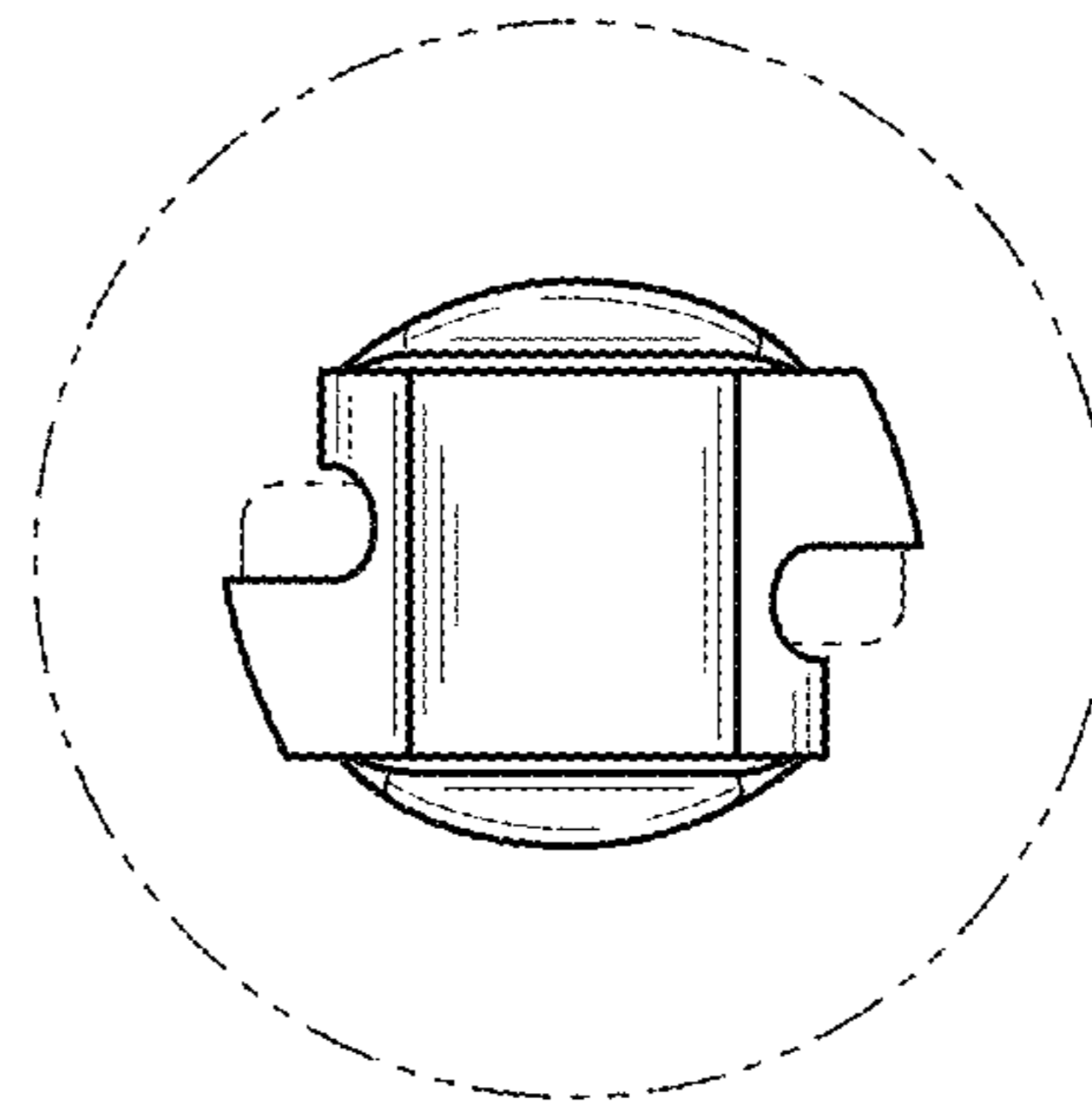


Fig. 11