



US00D815938S

(12) **United States Design Patent**
MacDonald et al.

(10) **Patent No.:** **US D815,938 S**
(45) **Date of Patent:** **** Apr. 24, 2018**

- (54) **CONNECTOR**
- (71) Applicants: **Robert A. MacDonald**, Plymouth, MN (US); **Robert John Lundell**, Stillwater, MN (US)
- (72) Inventors: **Robert A. MacDonald**, Plymouth, MN (US); **Robert John Lundell**, Stillwater, MN (US)
- (73) Assignee: **KEYSTONE RETAINING WALL SYSTEMS LLC**, West Chester, OH (US)

2,707,052	A *	4/1955	Brown	A47K 1/09
					211/120
3,946,877	A *	3/1976	Galicia	A47K 1/09
					211/65
4,263,765	A	4/1981	Maloney		
D269,851	S *	7/1983	Kimura	D8/356
D274,601	S *	7/1984	Helmle	D8/356
4,703,602	A	11/1987	Pardo		
4,765,109	A	8/1988	Boeshart		
D317,112	S *	5/1991	Newuirth	D8/356
D333,256	S *	2/1993	Newcomer	D8/356
D379,060	S *	5/1997	Laga	D8/373

(Continued)

FOREIGN PATENT DOCUMENTS

WO WO 2011/109621 A1 9/2011

(**) Term: **15 Years**

(21) Appl. No.: **29/571,777**

(22) Filed: **Jul. 21, 2016**

(51) **LOC (11) Cl.** **08-08**

(52) **U.S. Cl.**
USPC **D8/382**

(58) **Field of Classification Search**
USPC D8/349, 354, 373, 380, 382, 388, 389, D8/390, 394
CPC E04B 2/00; E04B 2002/0202; E04B 2001/405; E04B 1/35; E04B 1/41; E04B 1/4178; E04F 13/07; E04F 13/21; E04F 13/22; E04F 13/24; E04F 13/26; E04F 2201/0511; E04F 2201/0517
See application file for complete search history.

(56) **References Cited**

U.S. PATENT DOCUMENTS

1,366,470	A *	1/1921	Lampert	E04B 1/41
					52/379
1,593,297	A	7/1926	Gilmer		
1,962,906	A	6/1934	Mueller		
2,316,819	A	4/1943	Tedrow		
2,569,021	A *	9/1951	Rozanski	A47F 5/0884
					211/120

OTHER PUBLICATIONS

Oct. 23, 2017 PCT Invitation to Pay Additional Fees in corresponding International Application No. PCT/US2017/042761 (12 pages).

(Continued)

Primary Examiner — Sandra Snapp
Assistant Examiner — Ieisha Price
(74) *Attorney, Agent, or Firm* — Popvich, Wiles & O'Connell, P.A.

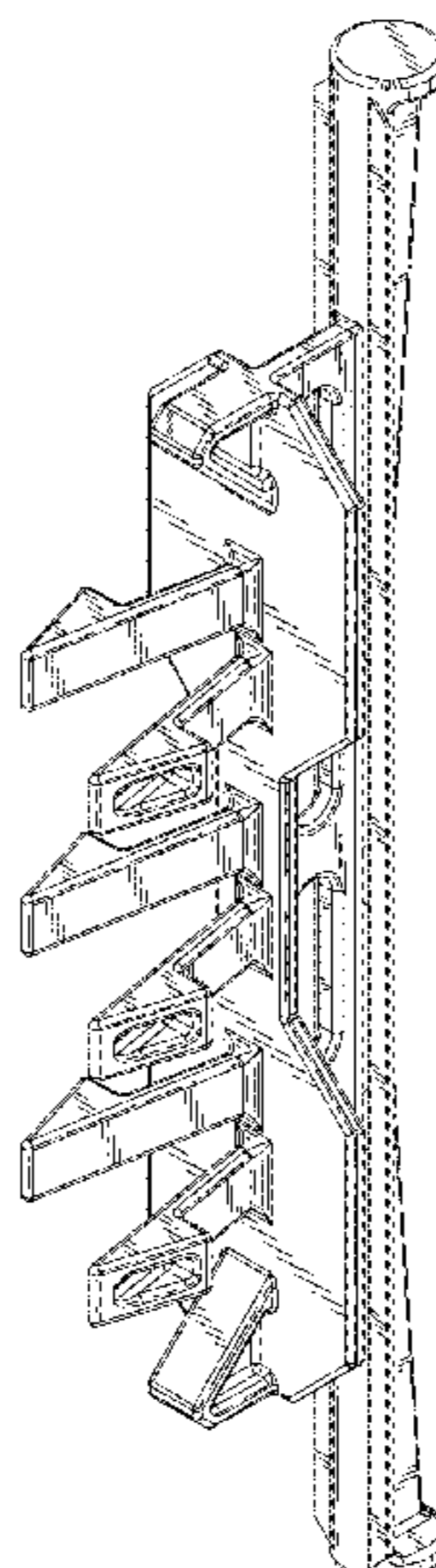
(57) **CLAIM**

The ornamental design for a connector, as shown and described.

DESCRIPTION

FIG. 1 is a right side perspective view of a connector; FIG. 2 is a front side elevational view thereof; FIG. 3 is a top plan view thereof; FIG. 4 is a left side elevational view thereof; FIG. 5 is a right side elevational view thereof; FIG. 6 is a rear side elevational view thereof; and, FIG. 7 is a bottom plan view thereof.

1 Claim, 4 Drawing Sheets



(56)

References Cited

U.S. PATENT DOCUMENTS

5,735,643 A 4/1998 Castonguay et al.
 5,788,423 A 8/1998 Perkins
 5,845,448 A 12/1998 Potvin
 6,148,576 A 11/2000 Janopaul, Jr.
 6,230,462 B1 5/2001 Beliveau
 6,247,280 B1 6/2001 Grinshpun et al.
 6,314,697 B1 11/2001 Moore, Jr.
 6,318,040 B1* 11/2001 Moore, Jr. E04B 2/8617
 52/379
 D454,740 S * 3/2002 Baggott D6/534
 6,393,789 B1 5/2002 Lanclos
 6,401,419 B1 6/2002 Beliveau
 6,526,713 B2 3/2003 Moore, Jr.
 6,536,994 B2 3/2003 Race
 6,668,503 B2 12/2003 Beliveau
 6,792,729 B2 9/2004 Beliveau
 6,978,581 B1 12/2005 Spakousky
 7,082,731 B2 8/2006 Patz et al.
 7,082,732 B2* 8/2006 Titishov E04B 2/8617
 52/426
 7,415,805 B2 8/2008 Nickerson
 D584,599 S * 1/2009 Chavez D8/356
 D610,436 S * 2/2010 Bremmon D8/373
 7,827,752 B2 11/2010 Scherrer
 D651,592 S * 1/2012 Hunter D14/238
 8,234,828 B2 8/2012 MacDonald

8,402,701 B2 3/2013 Artoon
 8,511,024 B2 8/2013 MacDonald et al.
 8,656,678 B2 2/2014 MacDonald
 8,919,067 B2* 12/2014 Crosby E04C 5/00
 249/191
 D746,661 S * 1/2016 Shetti D8/354
 D756,535 S * 5/2016 Schlipf D25/68
 D767,981 S * 10/2016 Bilge D8/382
 D774,381 S * 12/2016 Huang D8/354
 D777,561 S * 1/2017 Huang D8/354
 D785,442 S * 5/2017 Tseng D8/354
 2004/0216408 A1* 11/2004 Hohmann, Jr. E04B 1/7637
 52/426
 2005/0252144 A1 11/2005 MacDonald et al.
 2007/0044426 A1 3/2007 Deans
 2007/0151190 A1 7/2007 Huff et al.
 2008/0313988 A1 12/2008 MacDonald
 2009/0151281 A1 6/2009 MacDonald et al.
 2011/0072753 A1 3/2011 Macdonald
 2016/0168865 A1* 6/2016 Pervan E04F 15/02016
 52/309.1

OTHER PUBLICATIONS

Jan. 2, 2018 PCT Transmittal of the International Search Report and the Written Opinion in corresponding International Application No. PCT/US2017/042761 (16 pages).

* cited by examiner

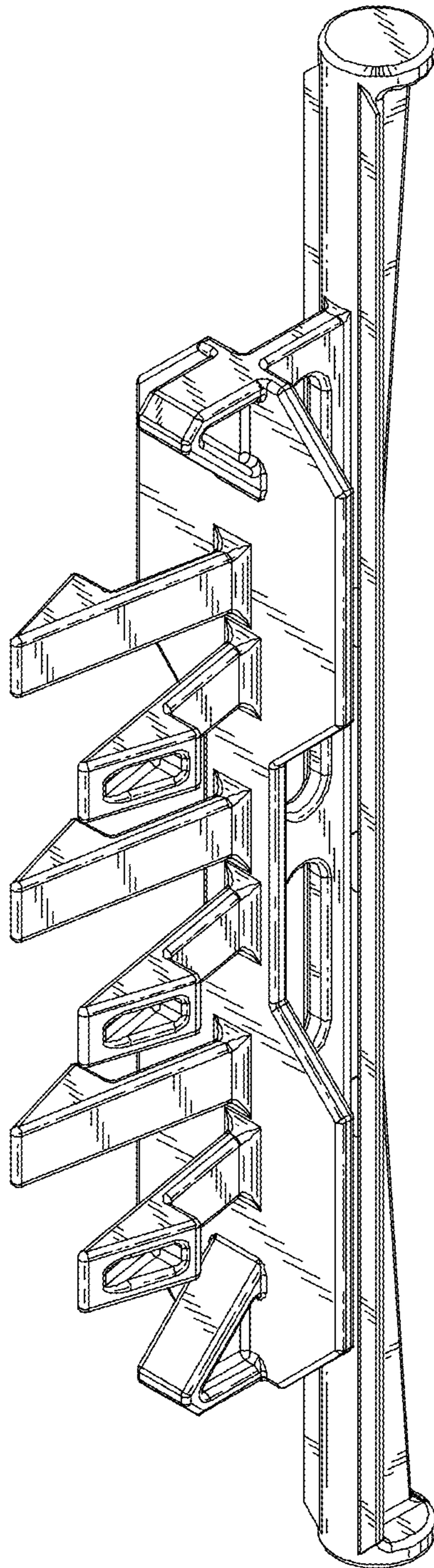


Fig. 1

Fig. 2

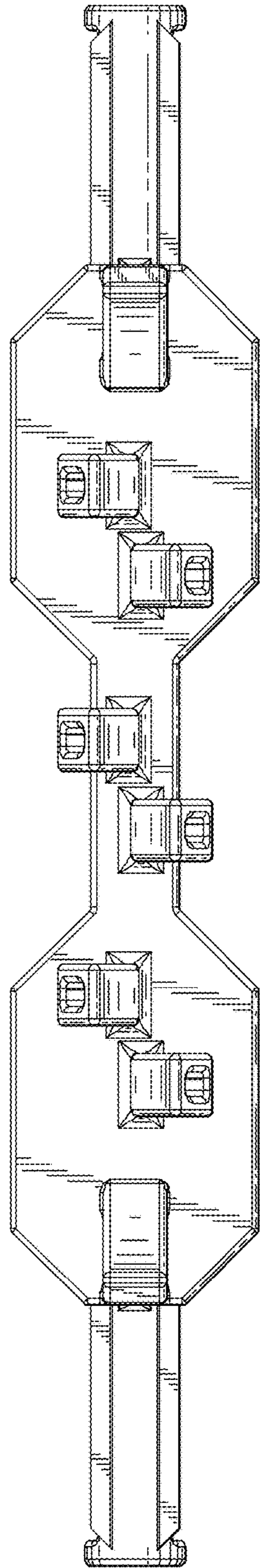
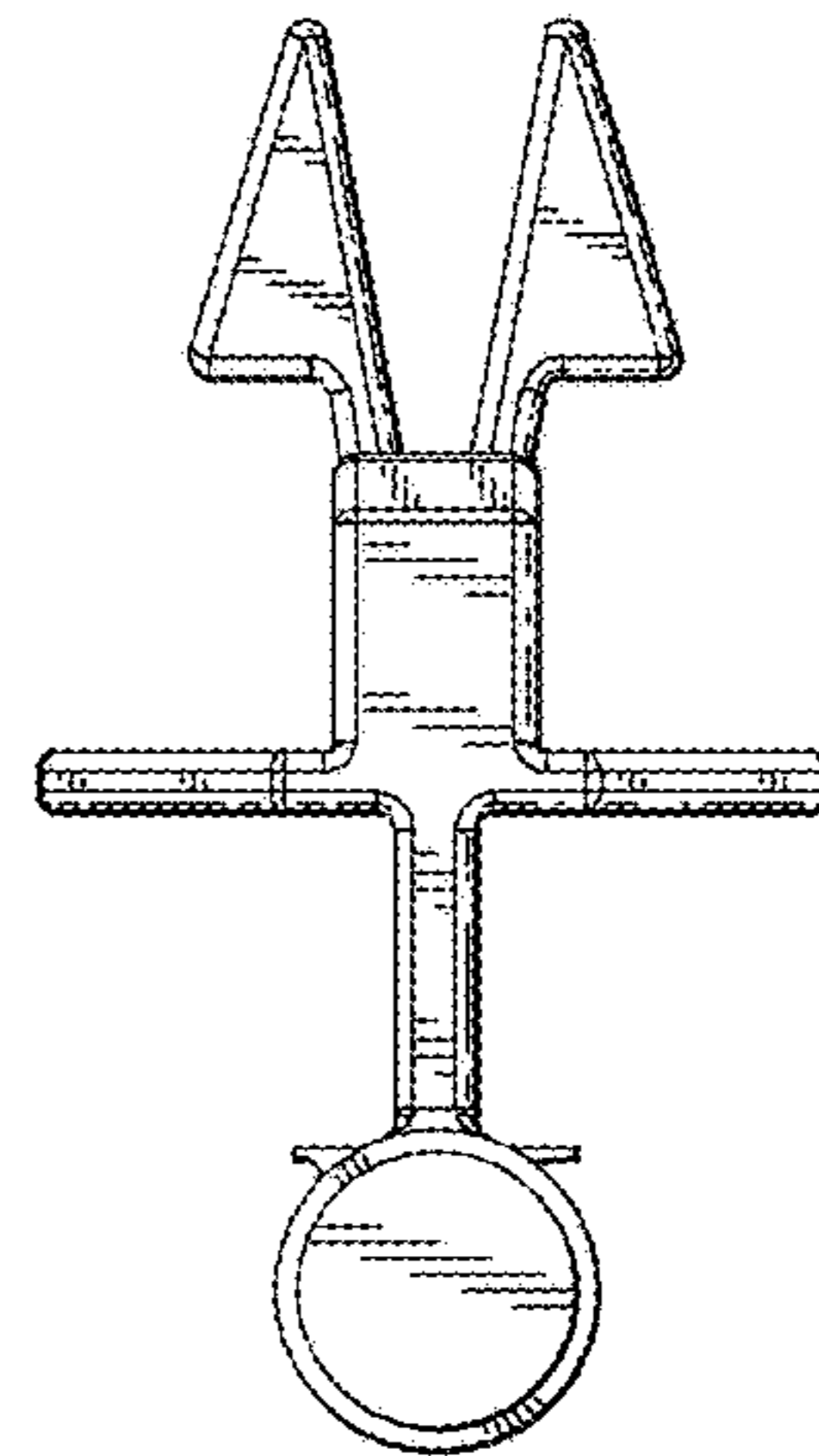


Fig. 3



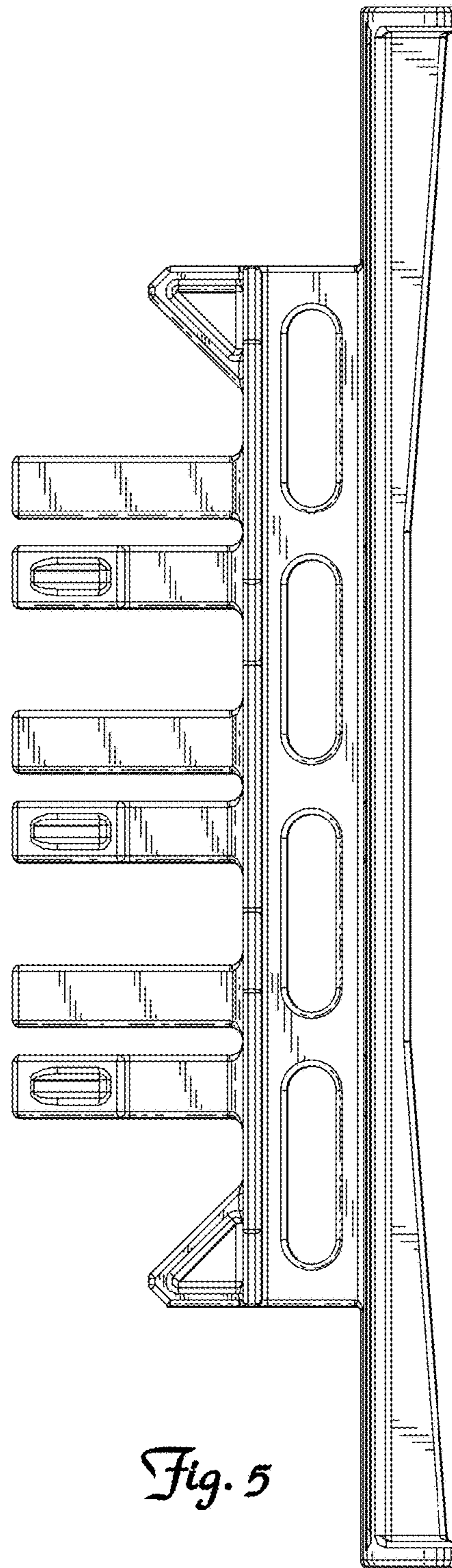
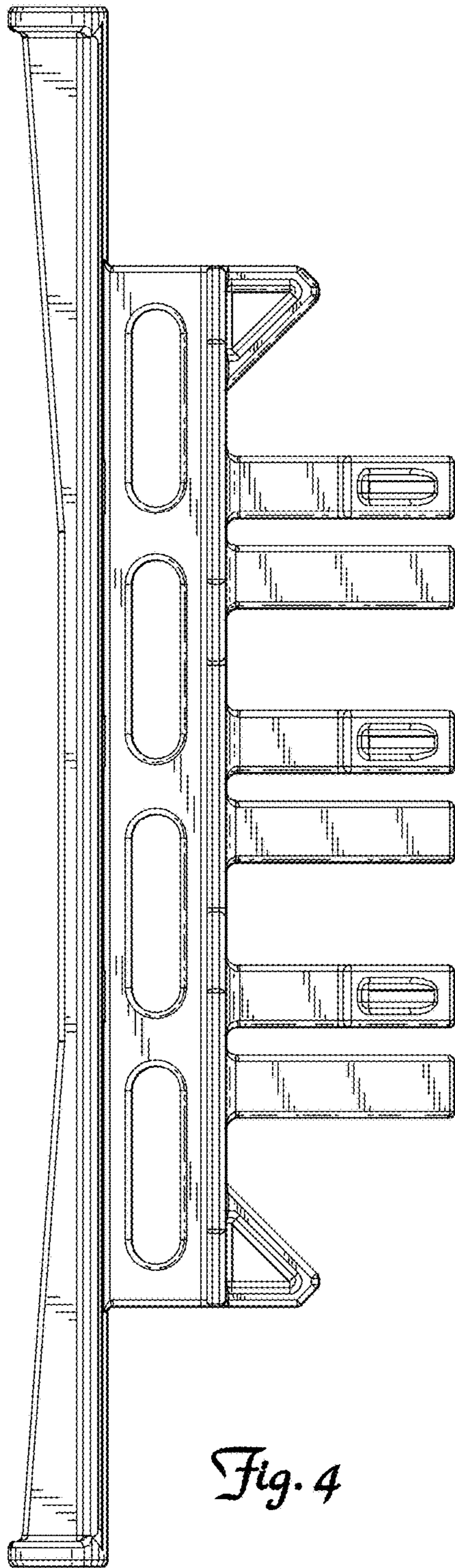


Fig. 6

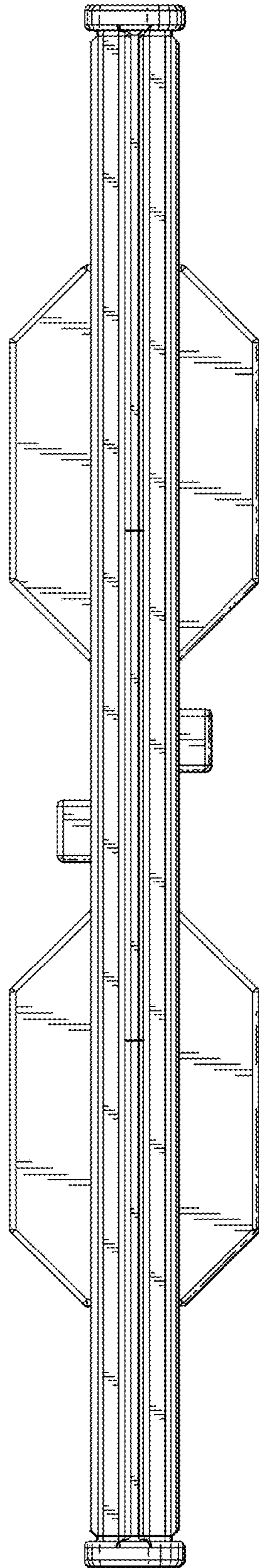


Fig. 7

