



US00D815937S

(12) **United States Design Patent** (10) **Patent No.:** **US D815,937 S**
Long (45) **Date of Patent:** **** Apr. 24, 2018**

(54) **FASTENER**

(71) Applicant: **E M & C Limited**, Ilford Essex (GB)

(72) Inventor: **Ng Boon Long**, Singapore (SG)

(**) Term: **15 Years**

(21) Appl. No.: **29/561,199**

(22) Filed: **Apr. 14, 2016**

(30) **Foreign Application Priority Data**

Oct. 27, 2015 (EM) 1442792
Oct. 27, 2015 (EM) 2837591

(51) **LOC (11) Cl.** **08-05**

(52) **U.S. Cl.**
USPC **D8/380**

(58) **Field of Classification Search**
USPC D8/380, 382, 394, 373; D11/221;
403/232.1
CPC B21K 1/463; B25B 15/005; B25B 15/004;
F16B 23/0007
See application file for complete search history.

(56) **References Cited**

U.S. PATENT DOCUMENTS

3,204,905 A * 9/1965 Gutierrez F16B 12/46
248/188
D290,223 S * 6/1987 Westerheim 403/232.1
(Continued)

OTHER PUBLICATIONS

5 Wood Bed Rail, posted at etsy.com, posting date not given,
[online], [site visited Jan. 20, 2017]. Available from Internet, <URL:
<https://www.etsy.com/listing/473382077/5woodbedrailfurniturehookzinc>>.*

(Continued)

Primary Examiner — George D. Kirschbaum

Assistant Examiner — Maria J Edwards

(74) *Attorney, Agent, or Firm* — Cionca IP Law P.C.;
Marin Cionca

(57) **CLAIM**

The ornamental design for a fastener, as shown and described.

DESCRIPTION

FIG. 1 is a top front right perspective view of a fastener showing the new design;
FIG. 2 is a right side elevation view thereof;
FIG. 3 is a top plan view thereof;
FIG. 4 is a front elevation view thereof;
FIG. 5 is a top front right perspective view of the fastener from FIG. 1 in a fastened state;
FIG. 6 is a right side elevation view of the fastener from FIG. 5;
FIG. 7 is a top plan view of the fastener from FIG. 5;
FIG. 8 is a front elevation view of the fastener from FIG. 5;
FIG. 9 is a top front left perspective view of a second embodiment of the new design;
FIG. 10 is a left side elevation view of the design from FIG. 9;
FIG. 11 is a top plan view of the design from FIG. 9;
FIG. 12 is a front elevation view of the design from FIG. 9;
FIG. 13 is a top front left perspective view of the design from FIG. 9 in a fastened state;
FIG. 14 is a left side elevation view of the design from FIG. 13;
FIG. 15 is a top plan view of the design from FIG. 13;
FIG. 16 is a front elevation view of the design from FIG. 13;
FIG. 17 is a top front left perspective view of a third embodiment of the new design;
FIG. 18 is a left side elevation view of the design from FIG. 17;
FIG. 19 is a top plan view of the design from FIG. 17;
FIG. 20 is a front elevation view of the design from FIG. 17;
FIG. 21 is a top front left perspective view of the design from FIG. 17 in a fastened state;
FIG. 22 is a left side elevation view of the design from FIG. 21;
FIG. 23 is a top plan view of the design from FIG. 21;

(Continued)

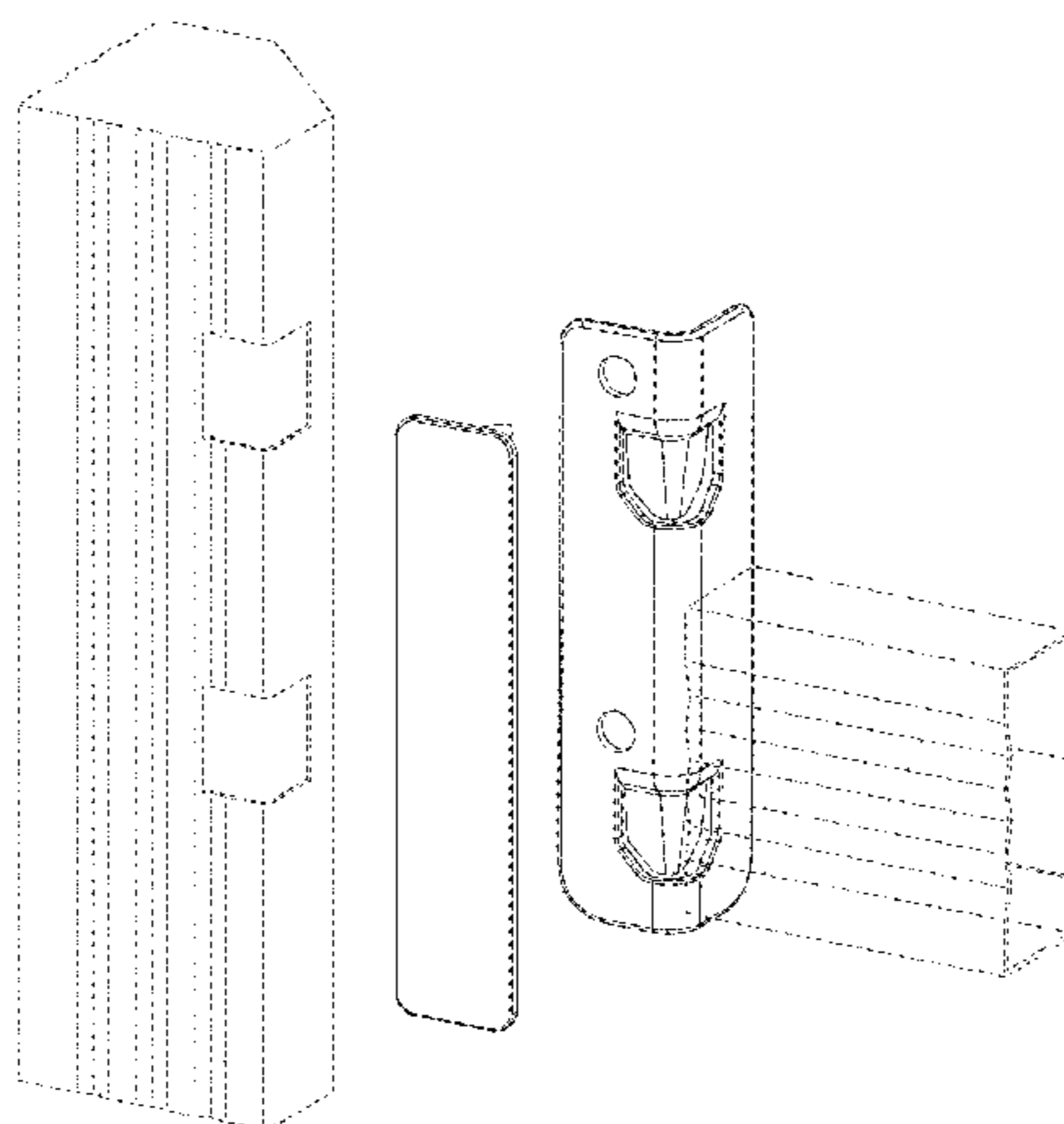


FIG. 24 is a front elevation view of the design from FIG. 21;
 FIG. 25 is a top front left perspective view of a fourth embodiment of the new design;
 FIG. 26 is a left side elevation view of the design from FIG. 25;
 FIG. 27 is a top plan view of the design from FIG. 25;
 FIG. 28 is a front elevation view of the design from FIG. 25;
 FIG. 29 is a top front left perspective view of the design from FIG. 25 in a fastened state;
 FIG. 30 is a left side elevation view of the design from FIG. 29;
 FIG. 31 is a top plan view of the design from FIG. 29;
 FIG. 32 is a front elevation view of the design from FIG. 29;
 FIG. 33 is a top front right perspective view of a fifth embodiment of the new design;
 FIG. 34 is a right side elevation view of the design from FIG. 33;
 FIG. 35 is a top plan view of the design from FIG. 33;
 FIG. 36 is a front elevation view of the design from FIG. 33;
 FIG. 37 is a top front right perspective view of the design from FIG. 33 in a fastened state;
 FIG. 38 is a right side elevation view of the design from FIG. 37;
 FIG. 39 is a top plan view of the design from FIG. 37;
 FIG. 40 is a front elevation view of the design from FIG. 37;
 FIG. 41 is a top front left perspective view of a sixth embodiment of the new design;
 FIG. 42 is a left side elevation view of the design from FIG. 41;
 FIG. 43 is a top plan view of the design from FIG. 41;
 FIG. 44 is a front elevation view of the design from FIG. 41;
 FIG. 45 is a top front left perspective view of the design from FIG. 41 in a fastened state;
 FIG. 46 is a left side elevation view of the design from FIG. 45;
 FIG. 47 is a top plan view of the design from FIG. 45; and,
 FIG. 48 is a front elevation view of the design from FIG. 45.
 The broken lines shown in the drawings are included for the purpose of illustrating environmental structure and form no part of the claimed design.

1 Claim, 48 Drawing Sheets

(56)

References Cited

U.S. PATENT DOCUMENTS

D295,496 S	*	5/1988	Burke	D8/382
D327,214 S	*	6/1992	Stuart	D8/373

D359,442 S	*	6/1995	Johansson	D6/300
D359,443 S	*	6/1995	Johansson	D6/300
D359,444 S	*	6/1995	Johansson	D6/300
D415,716 S	*	10/1999	Watanabe	D11/221
D637,897 S	*	5/2011	Tedesco	D8/380
D638,286 S	*	5/2011	Tedesco	D8/380
D638,287 S	*	5/2011	Tedesco	D8/380
D708,051 S	*	7/2014	Wojtowicz	D8/394
D730,545 S	*	5/2015	Stauffer	D25/133
D732,708 S	*	6/2015	Stauffer	D25/133

OTHER PUBLICATIONS

Bed Rail Fasteners, posted at alibaba.com, posting date not given, [online], [site visited Jan. 20, 2017]. Available from Internet, <URL: https://www.alibaba.com/productdetail/ChinesemanufacturerssupplyGalvanizedBedRail_60478030920.html>.*

Metal Bed Brackets Corner Brace, posted at alibaba.com, posting date not given, [online], [site visited Jan. 20, 2017]. Available from Internet, <URL: https://www.alibaba.com/productdetail/ChinesemanufacturerssupplyMetalbedbrackets_60493763776.html>.*

Planet Bed—Bed Snap 910, posted at planetbed.com, posting date not given, [online], [site visited Jan. 20, 2017]. Available from Internet, <URL: <https://www.planetbed.com/bedframefurnitureparts/bedsnapbrackets/bedsnap910heavydutywoodrailbedfittingsetof4.html>>.*

Surface Mounted Keyhole Bed Rail Brackets, posted at rockler.com, posting date May 16, 2009, [online], [site visited Jan. 20, 2017]. Available from Internet, <URL: <http://www.rockler.com/surfacemountedkeyholebedrailbrackets>>.*

“Sunshine BLP, booth no. 5.1D15,” flyer from trade show: China International Furniture Fair (CIFF), China Import and Export Fair Pazhou Complex, Guangzhou, China; Mar. 18-22, 2015.

Transmittal Letter with references to additional trade shows; Jul. 8, 2016.

Argos catalog #84, spring 2015 (Apr.-Sep. 2015) edition.

Boltzero bunk bed advertisement, displayed at CIFF trade show Mar. 18-22, 2015.

“CIFF Trade Show Photos, Spring 2015,” photos from CIFF trade show, Guangzhou, China; Mar. 18-22, 2015.

* cited by examiner

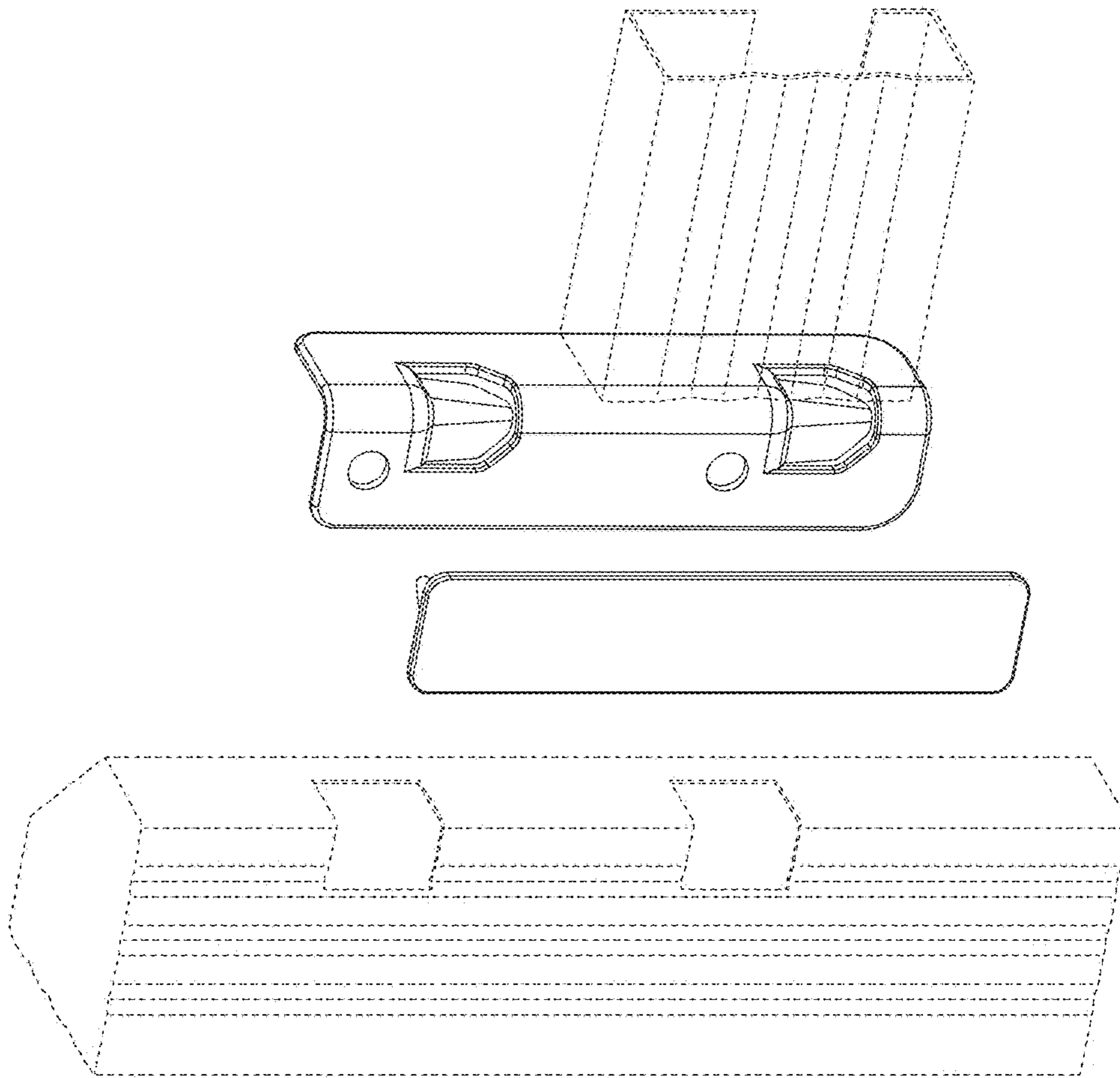


FIG. 1

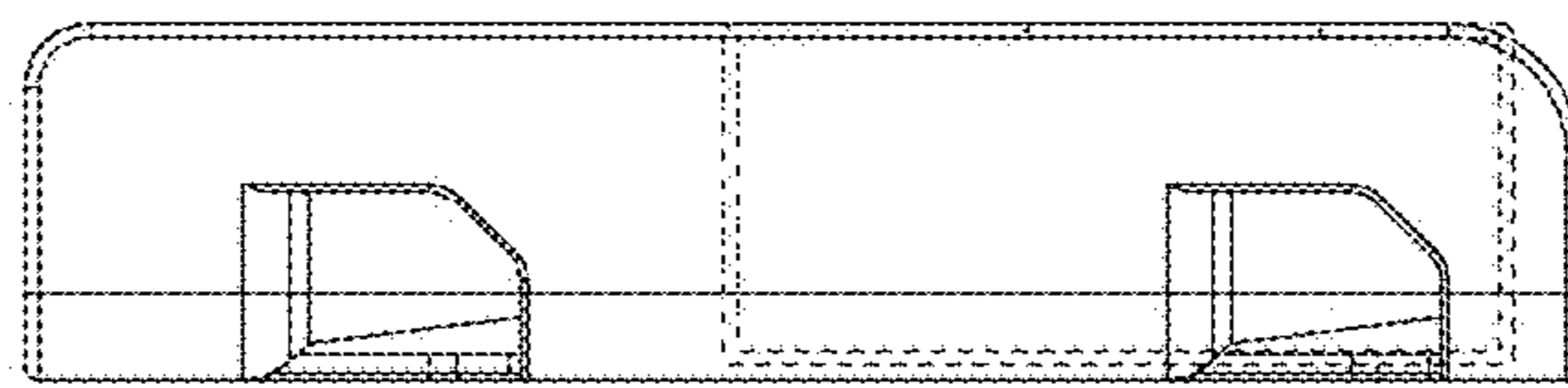
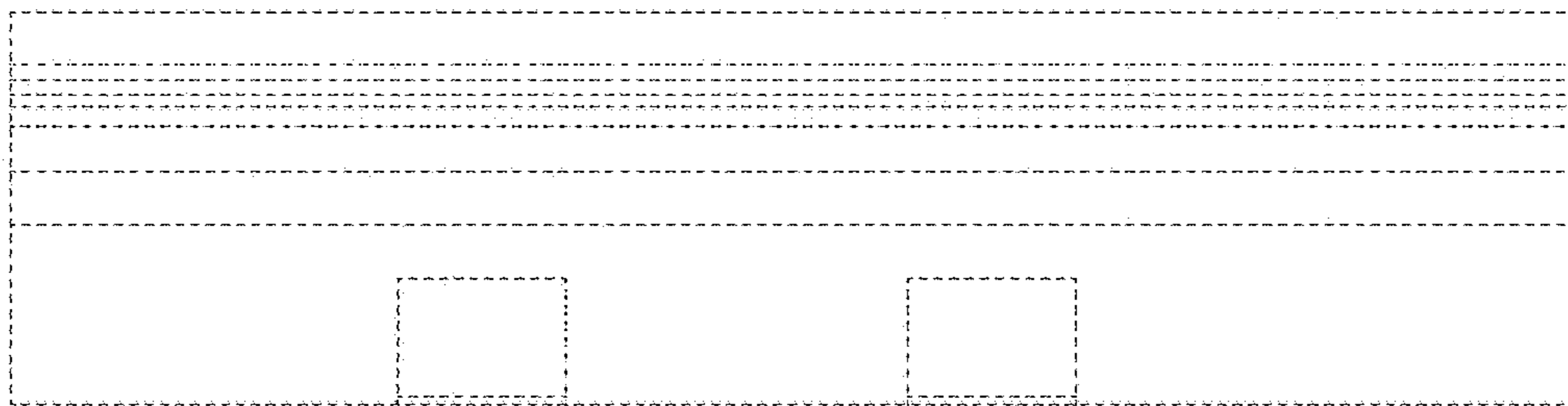


FIG. 2

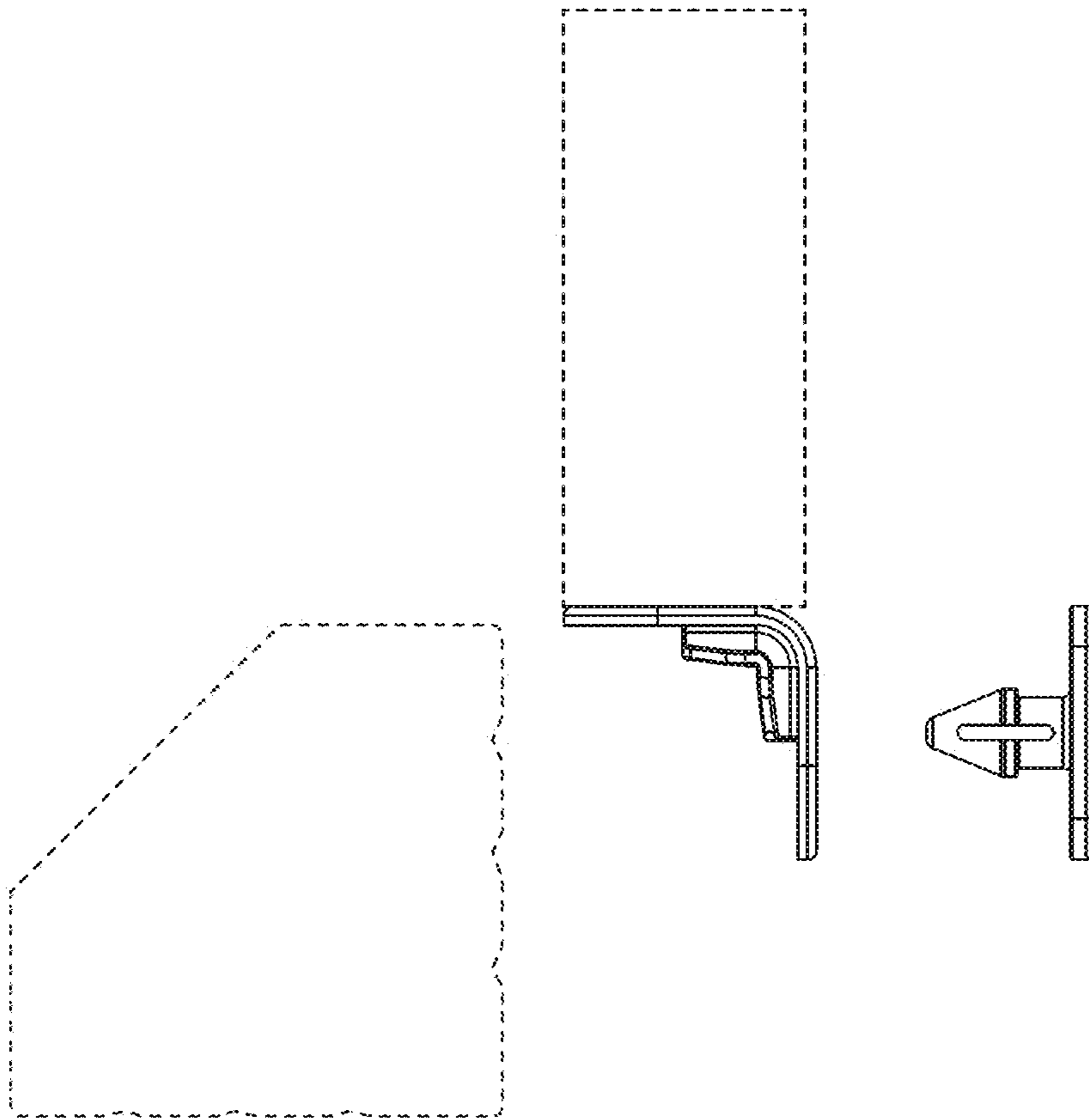


FIG. 3

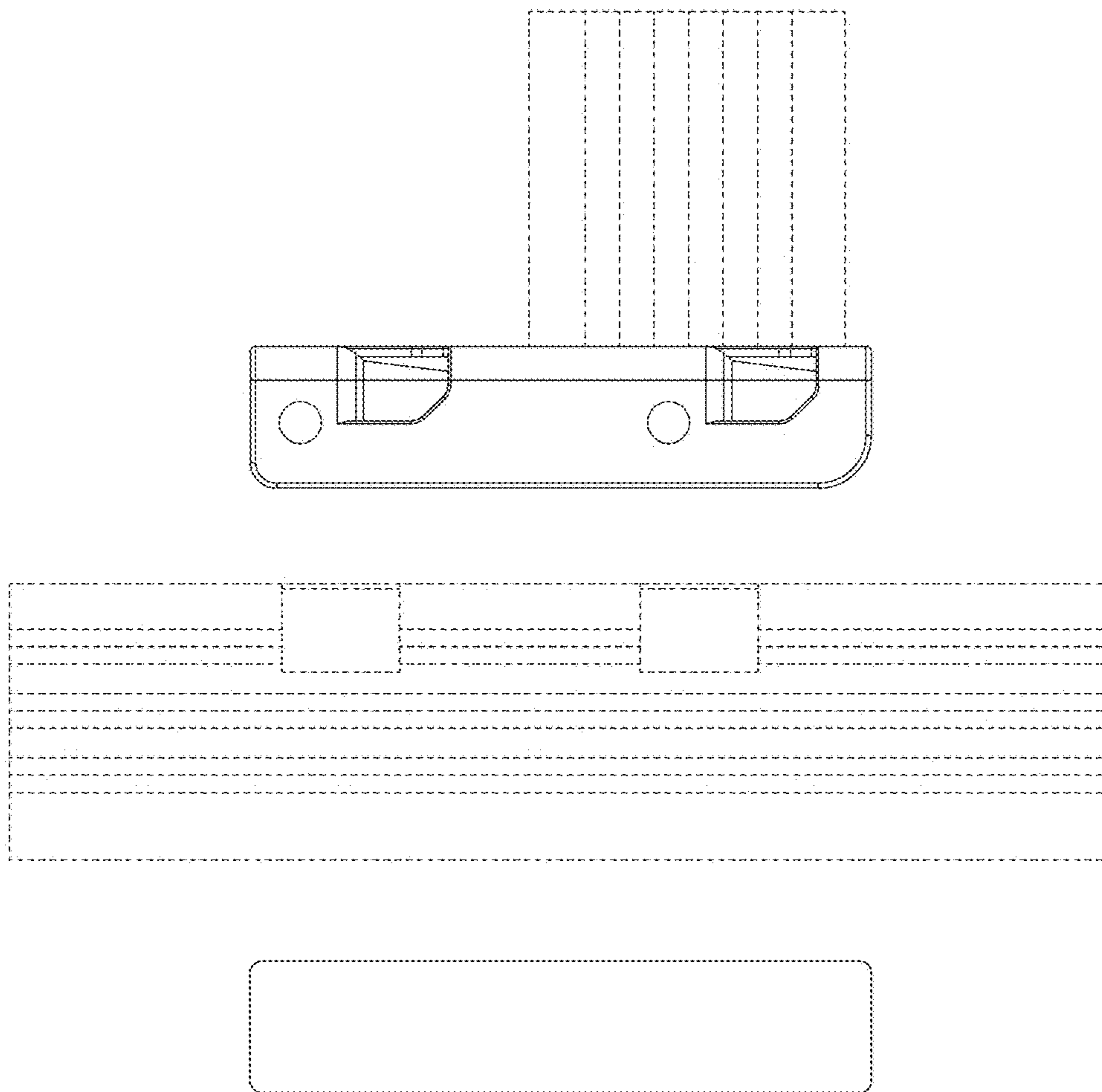


FIG. 4

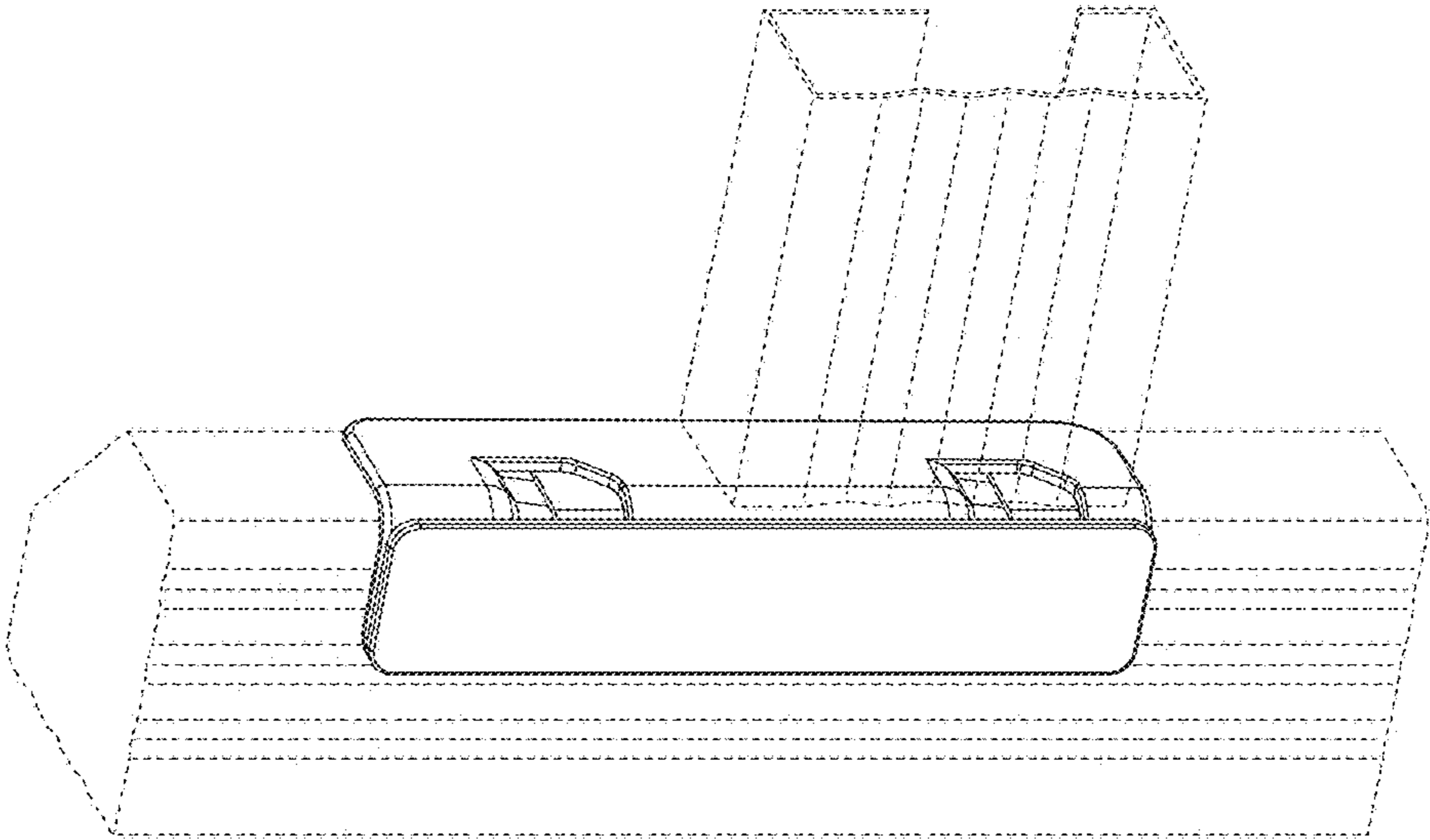


FIG. 5

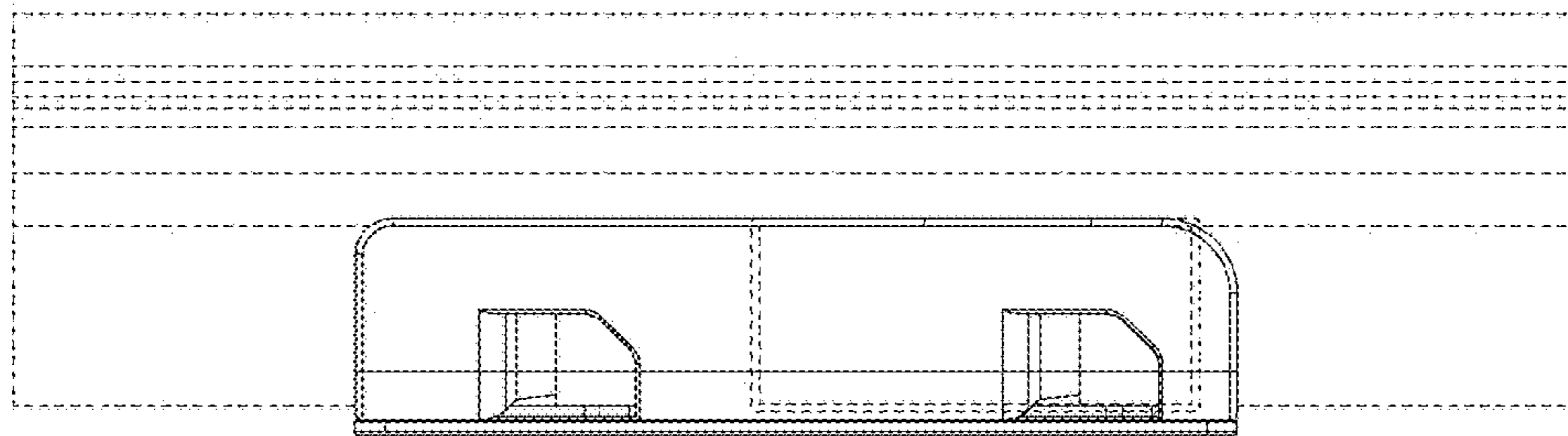


FIG. 6

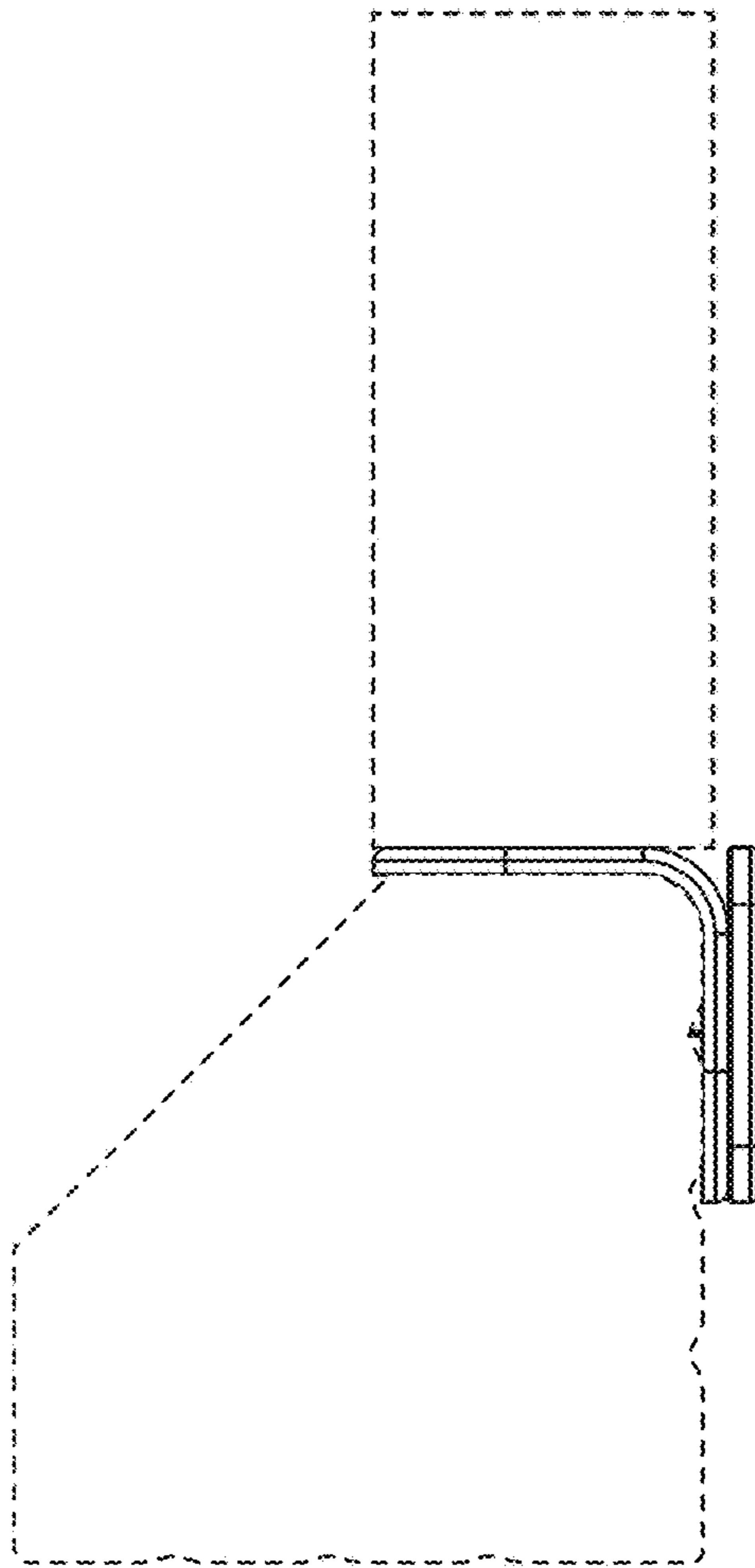


FIG. 7

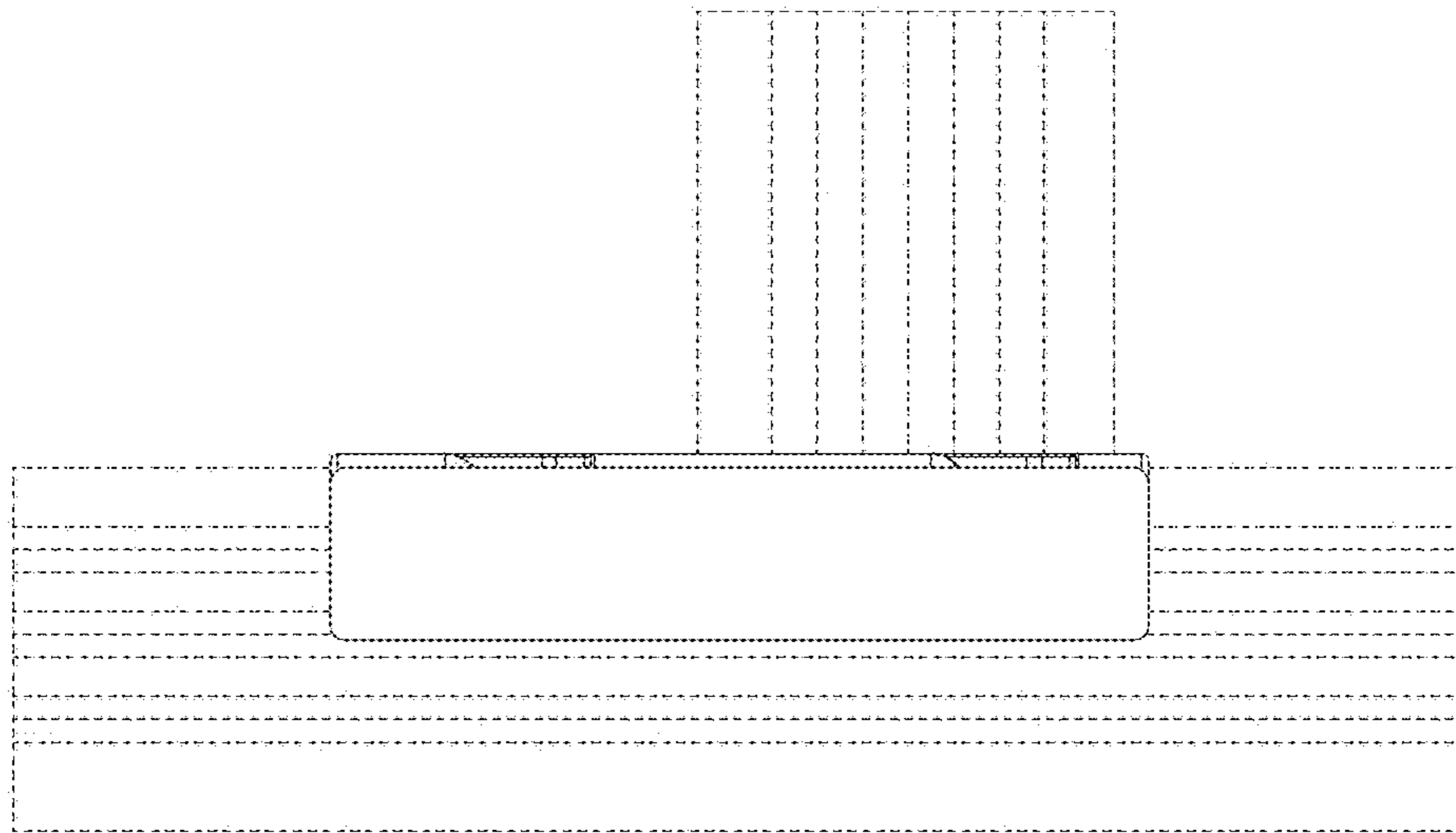


FIG. 8

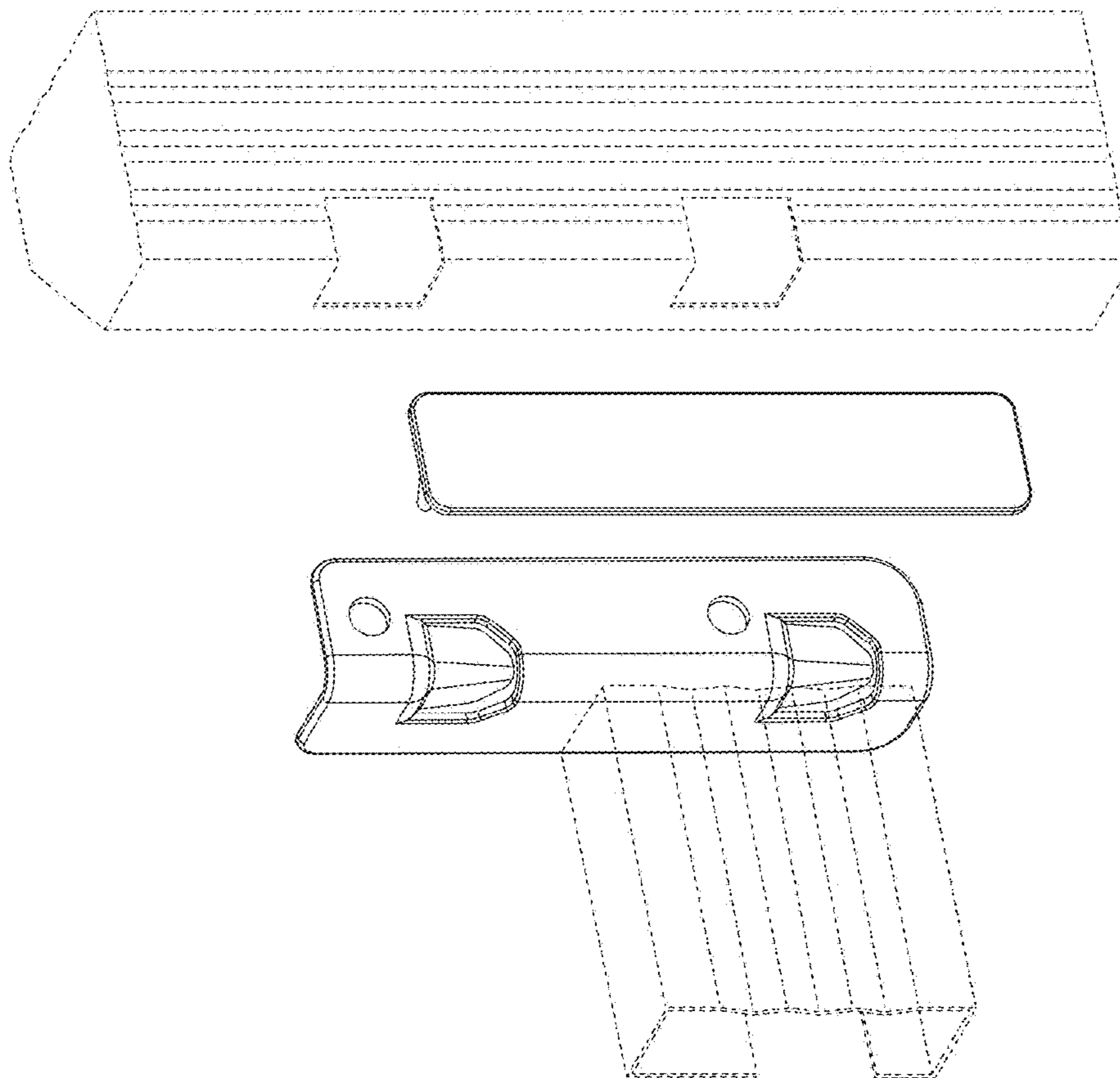


FIG. 9

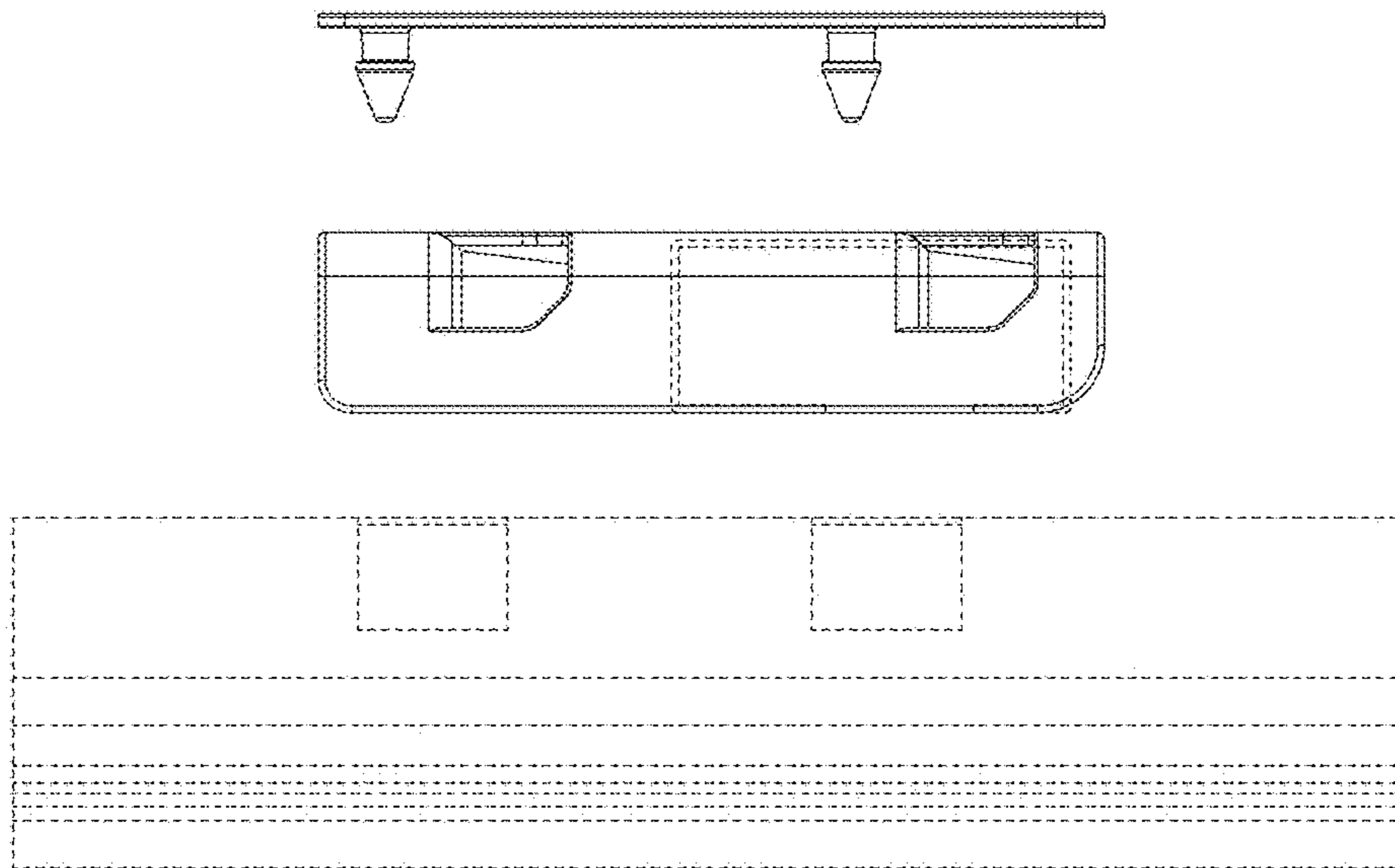


FIG. 10

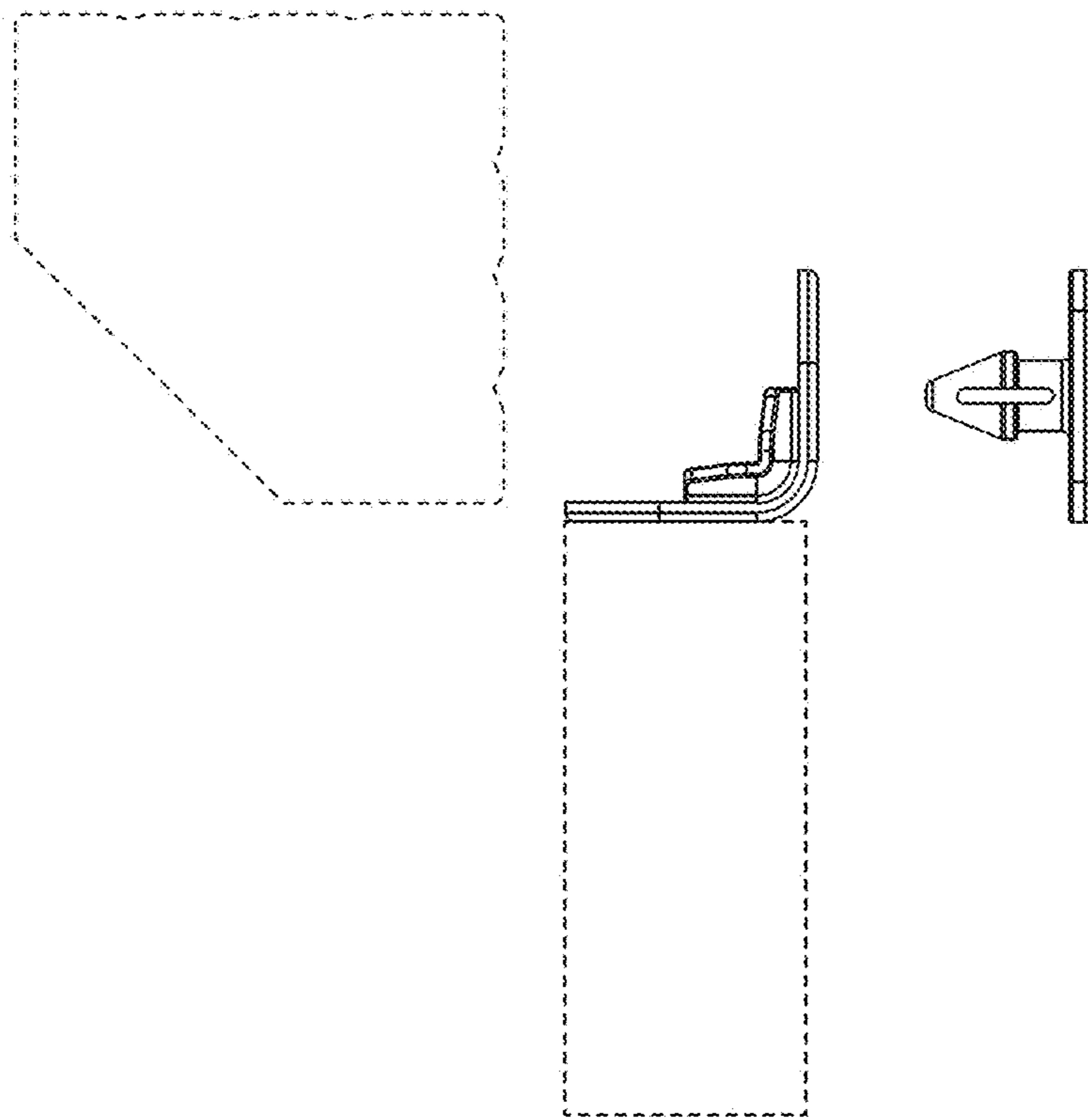


FIG. 11

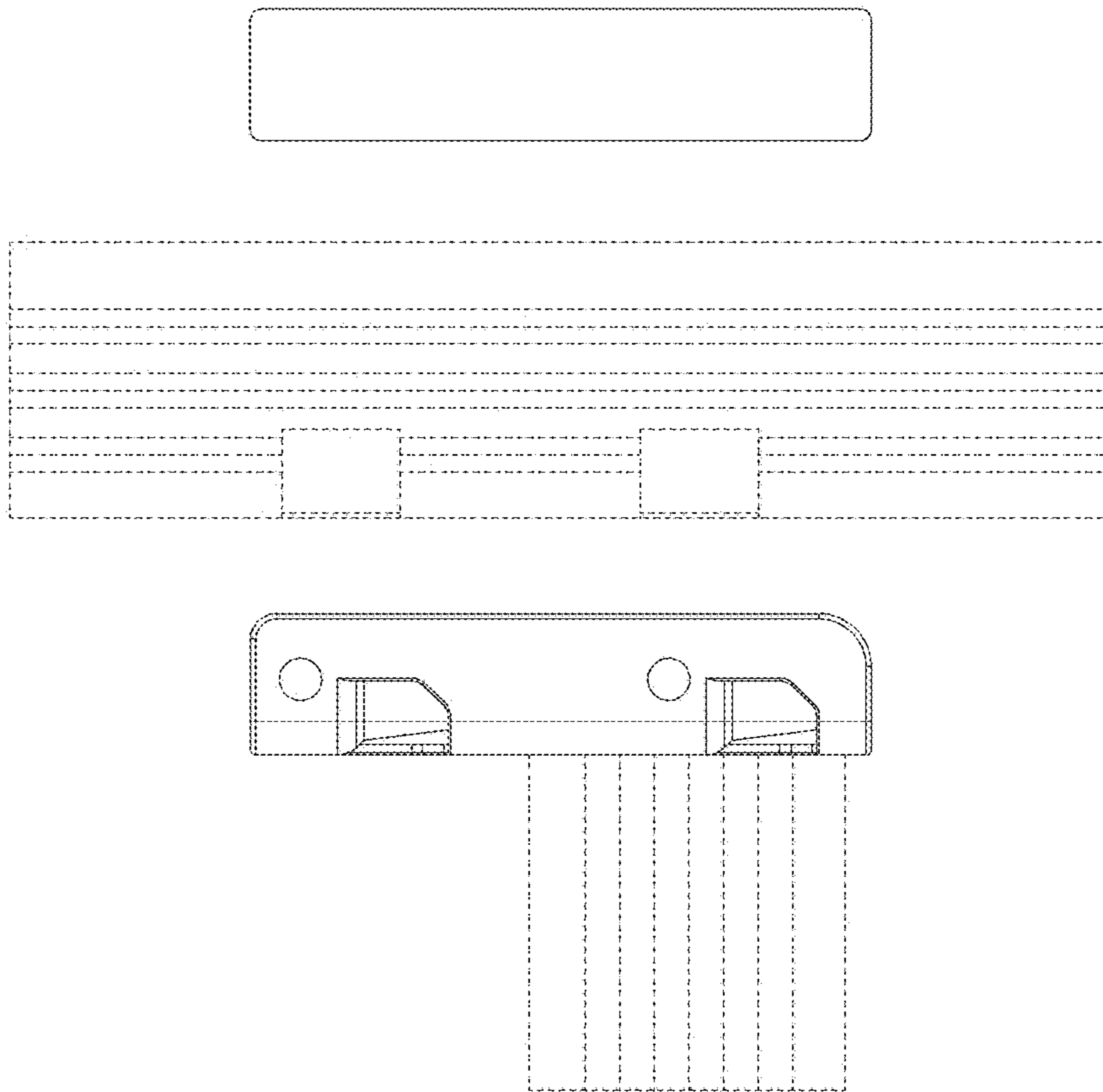


FIG. 12

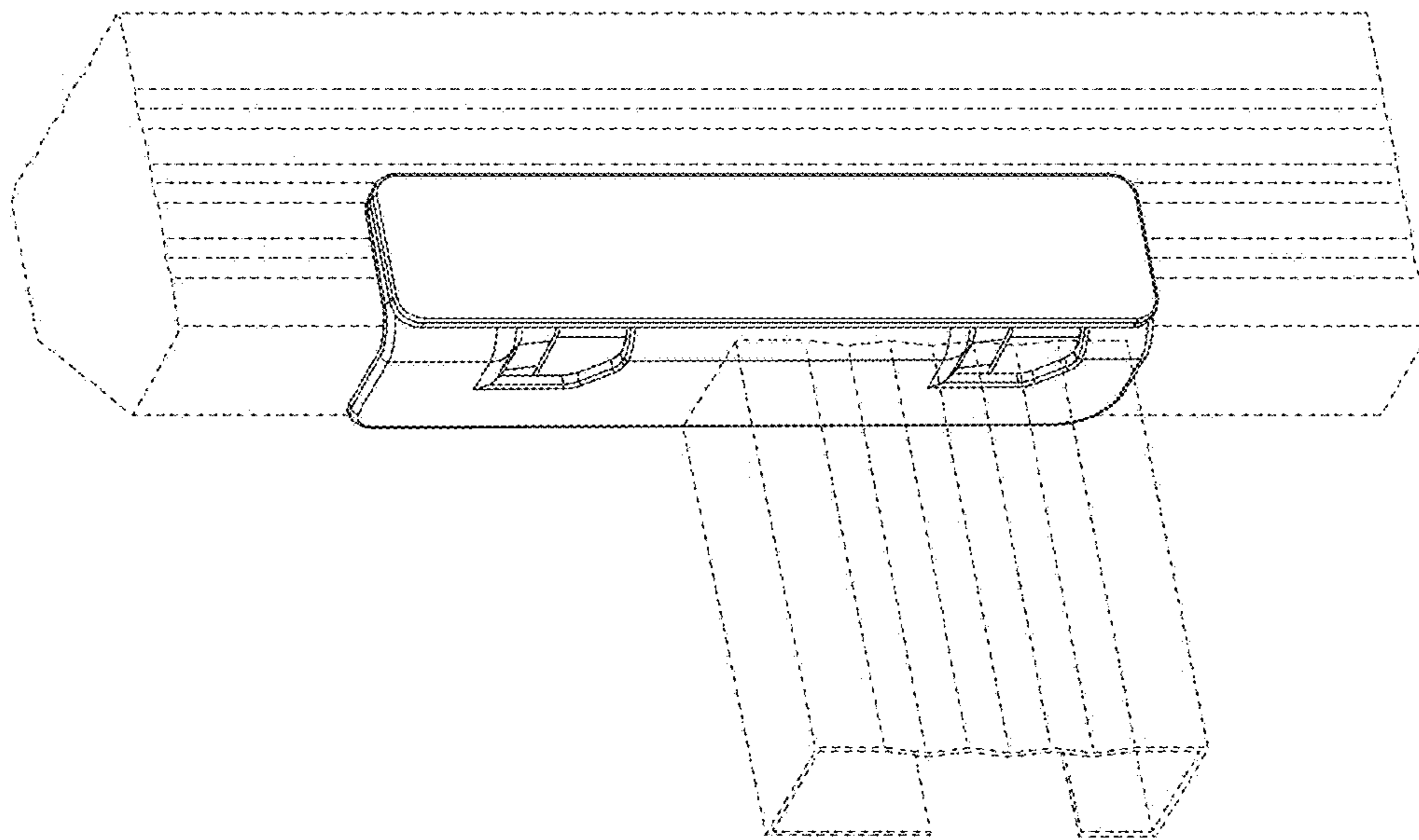


FIG. 13

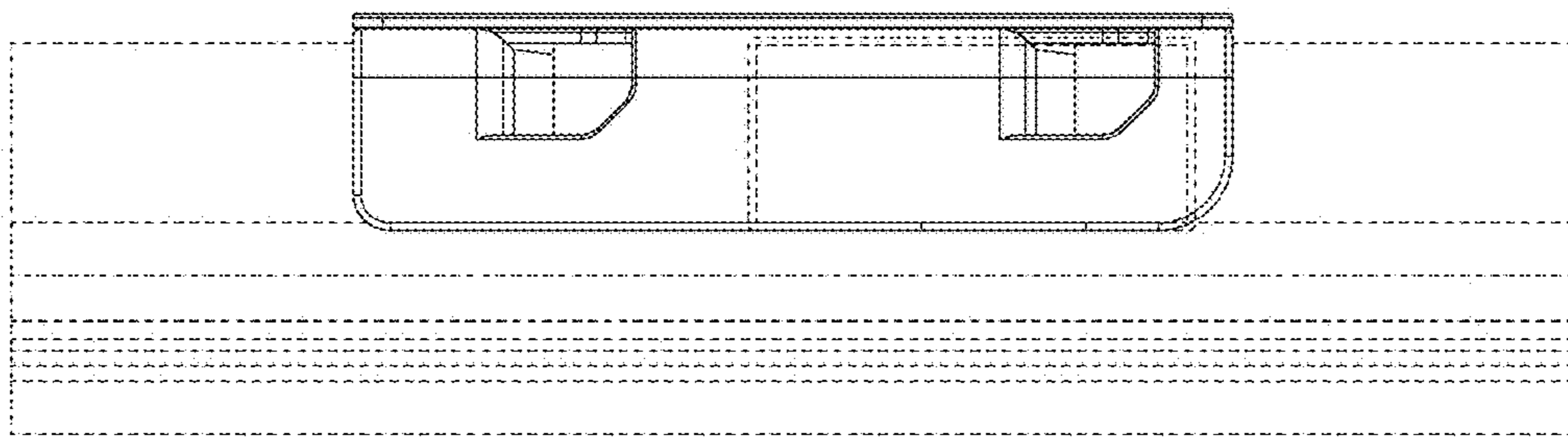


FIG. 14

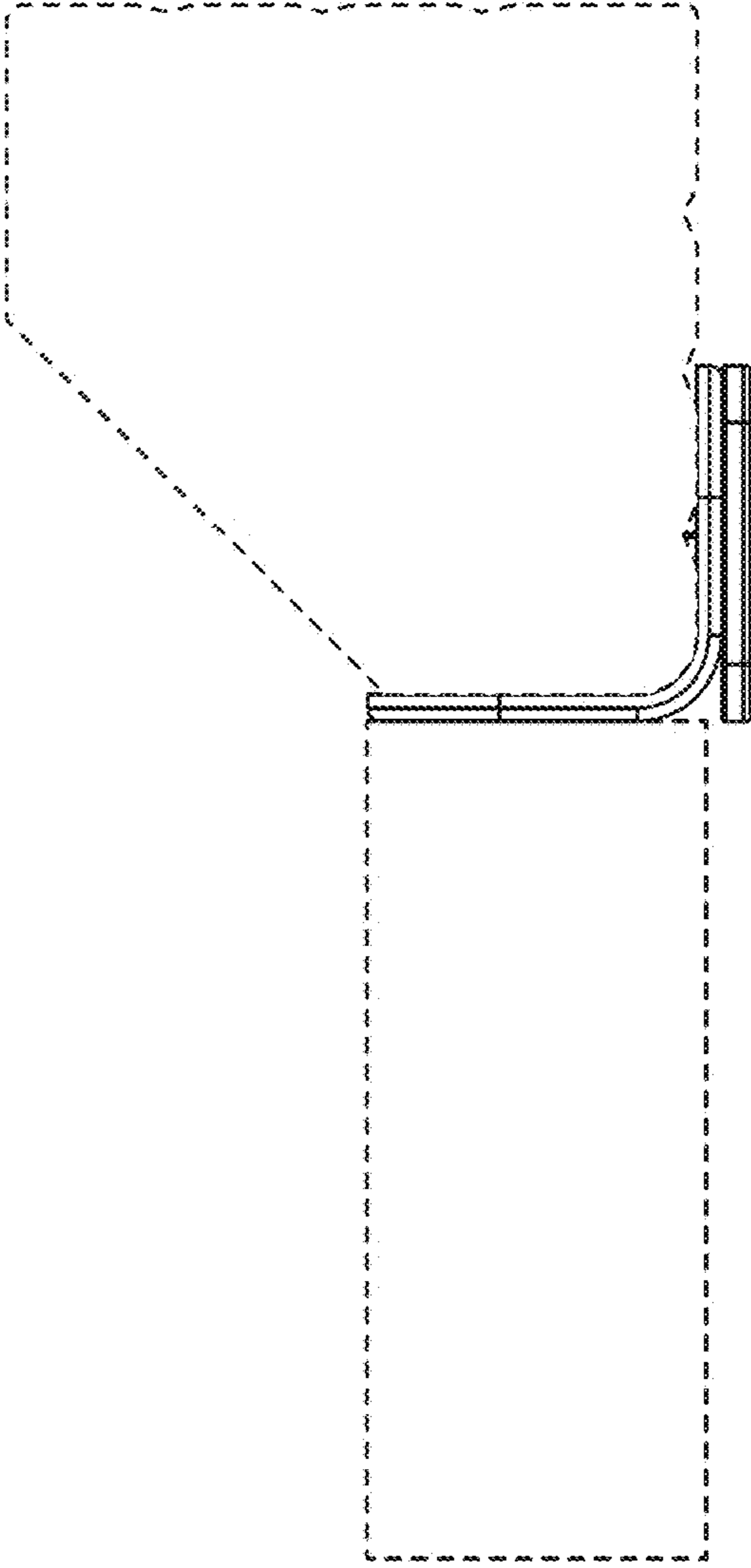


FIG. 15

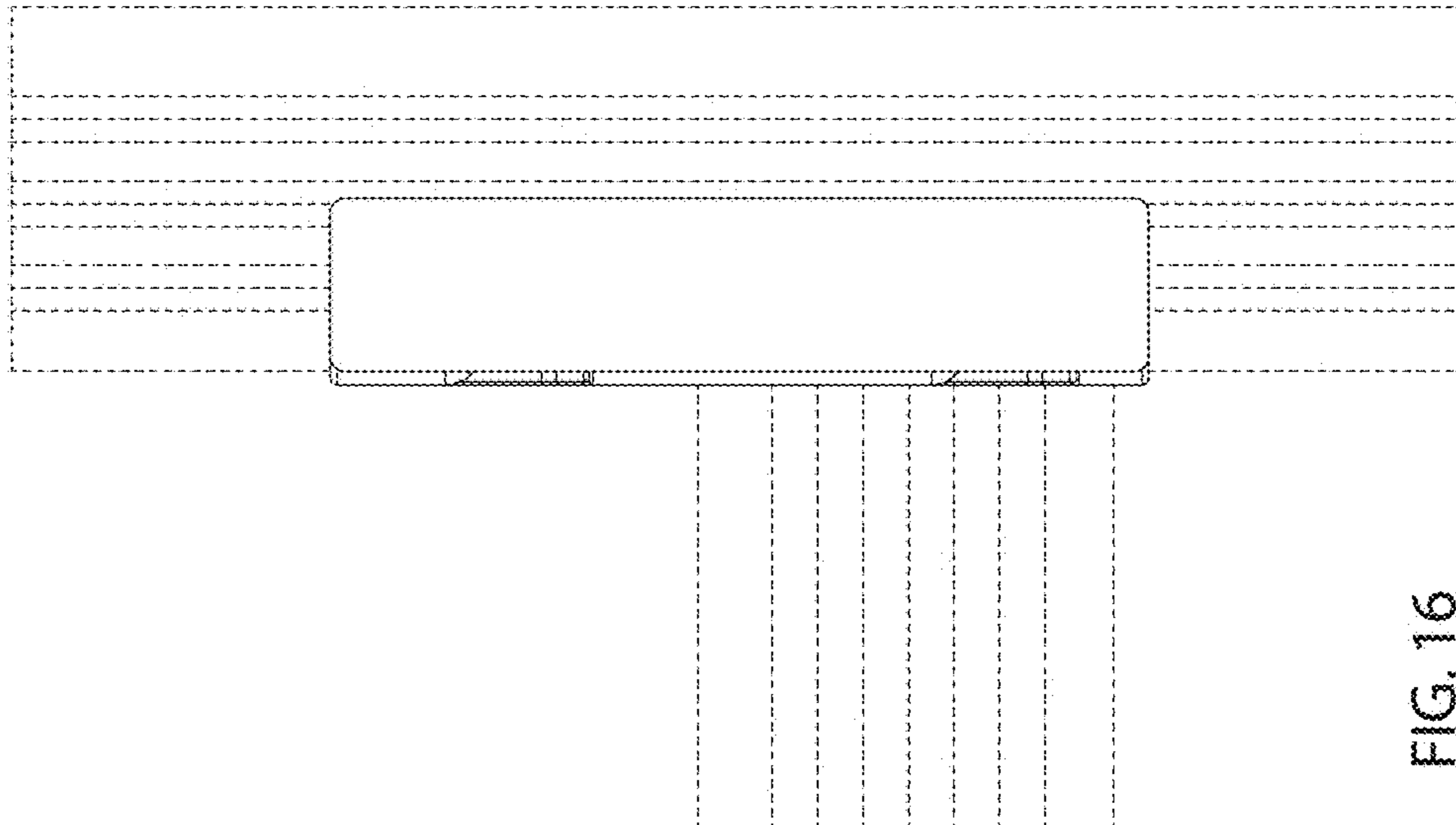


FIG. 16

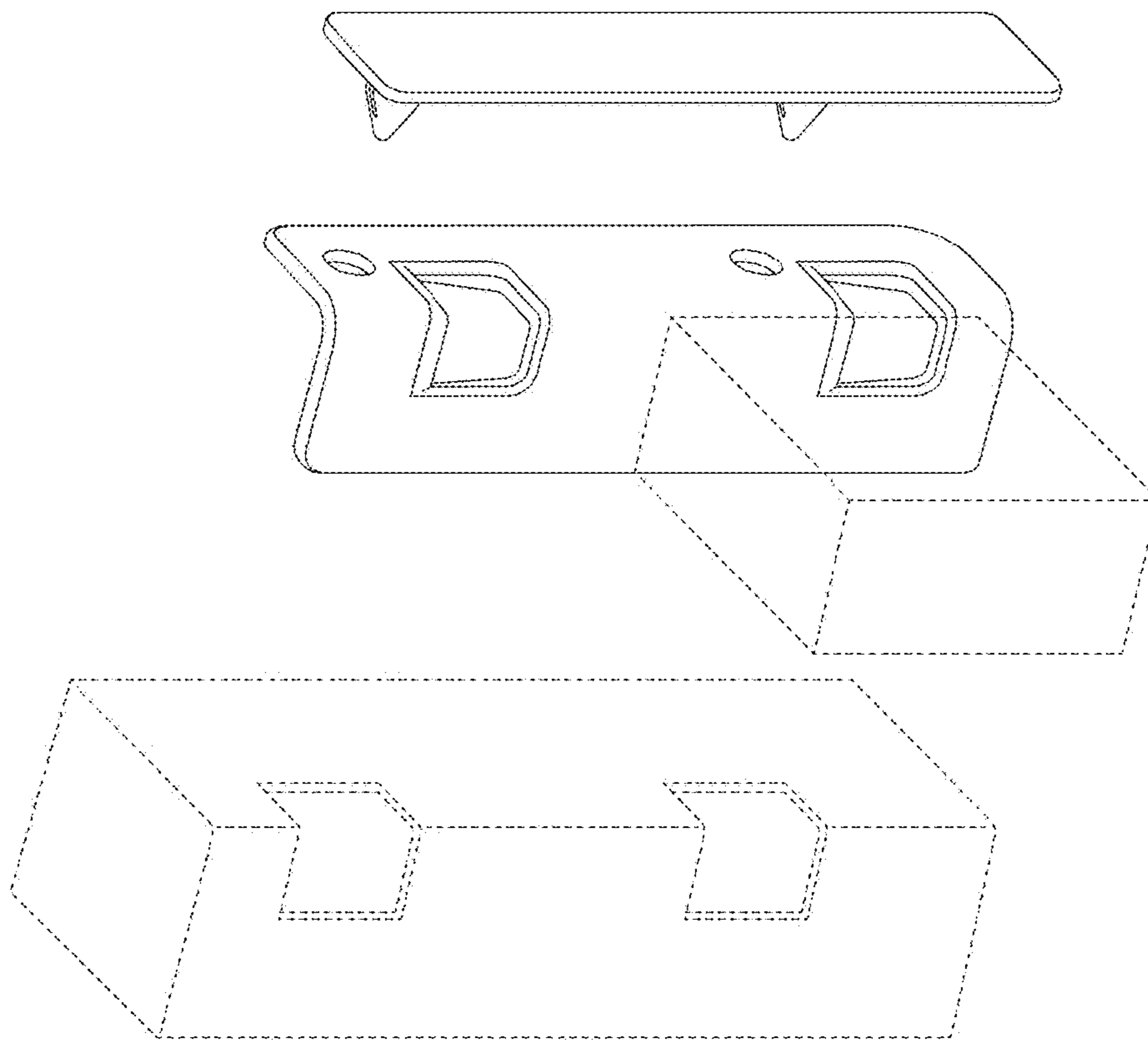


FIG. 17

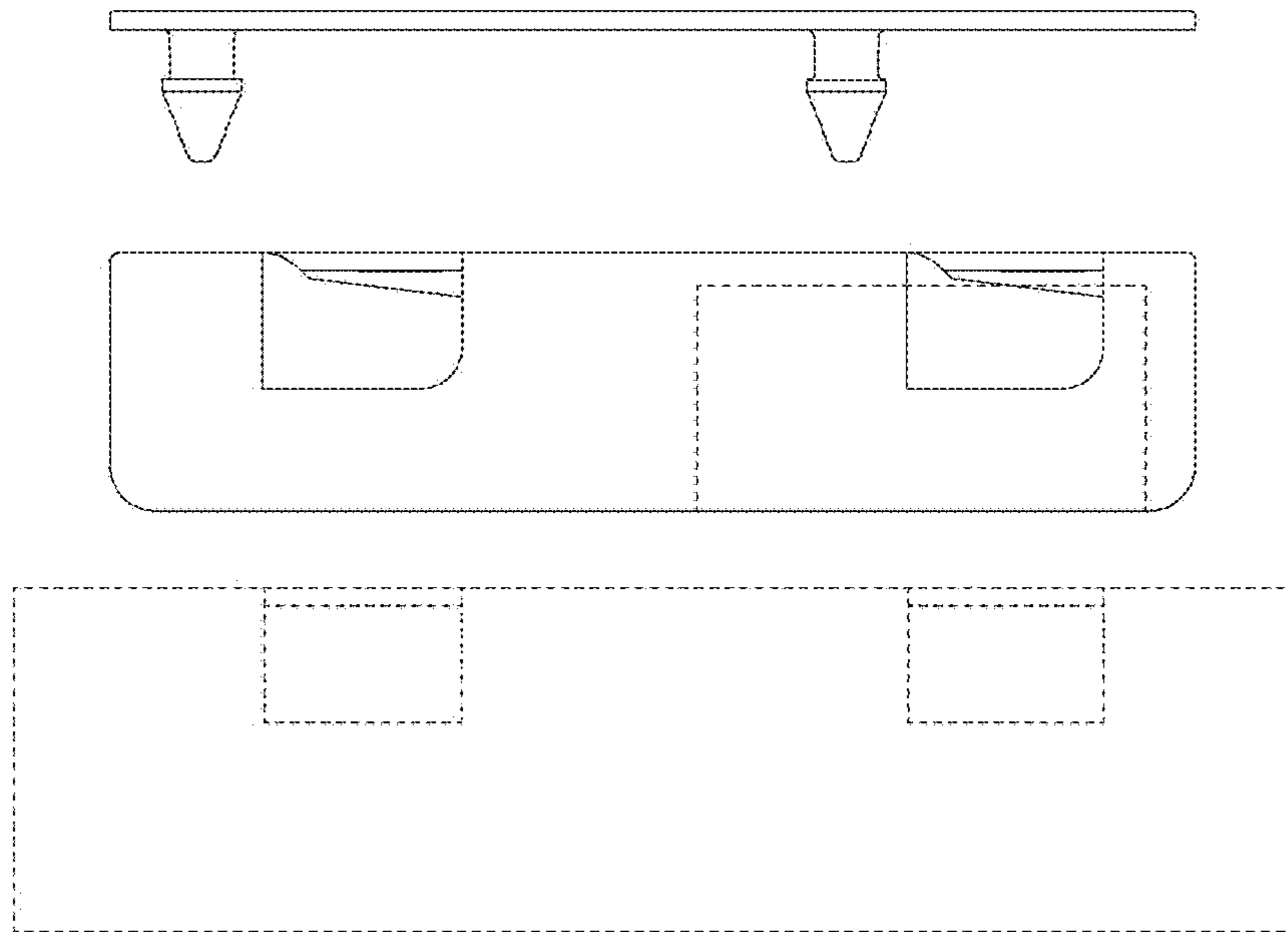


FIG. 18

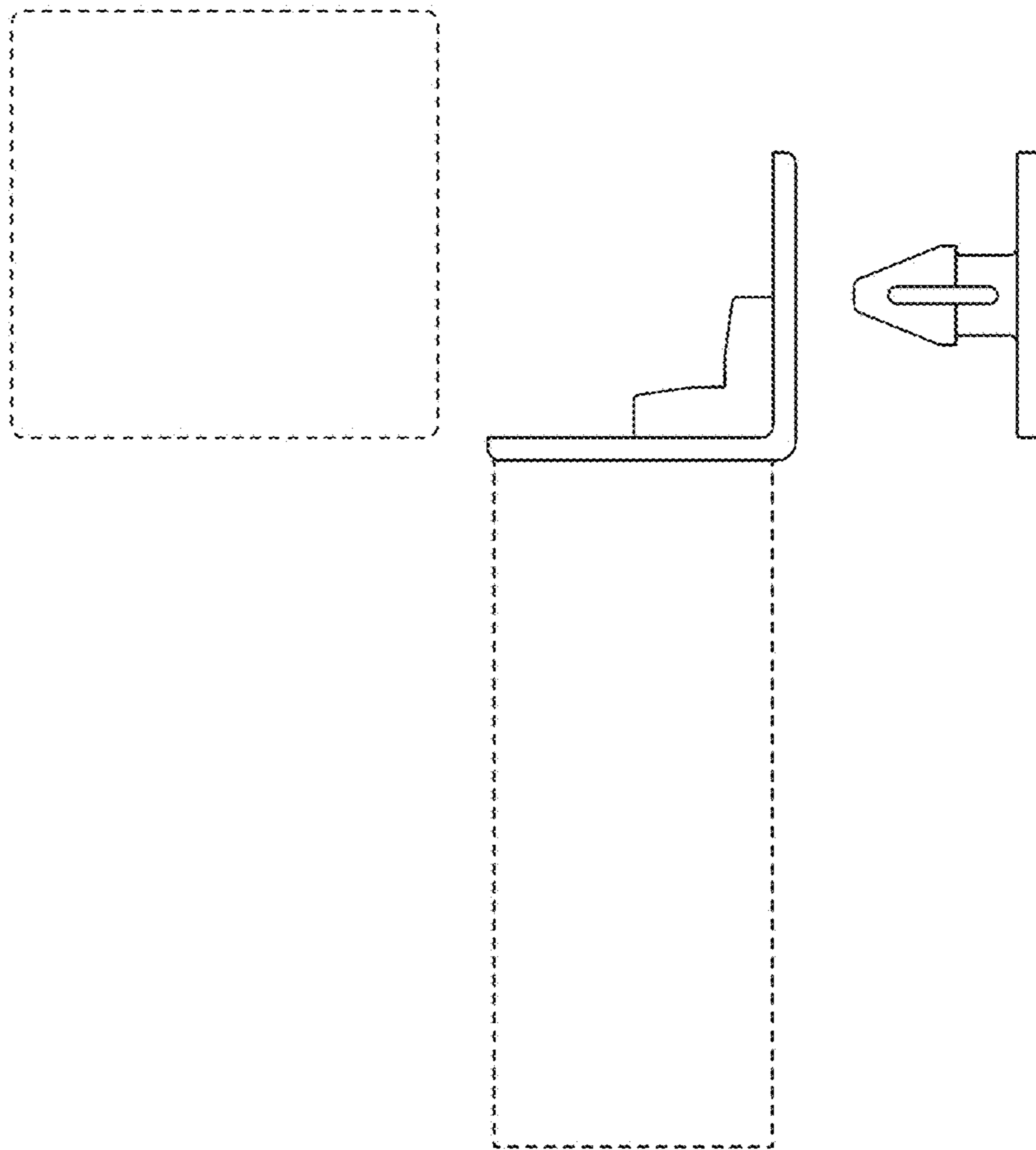


FIG. 19

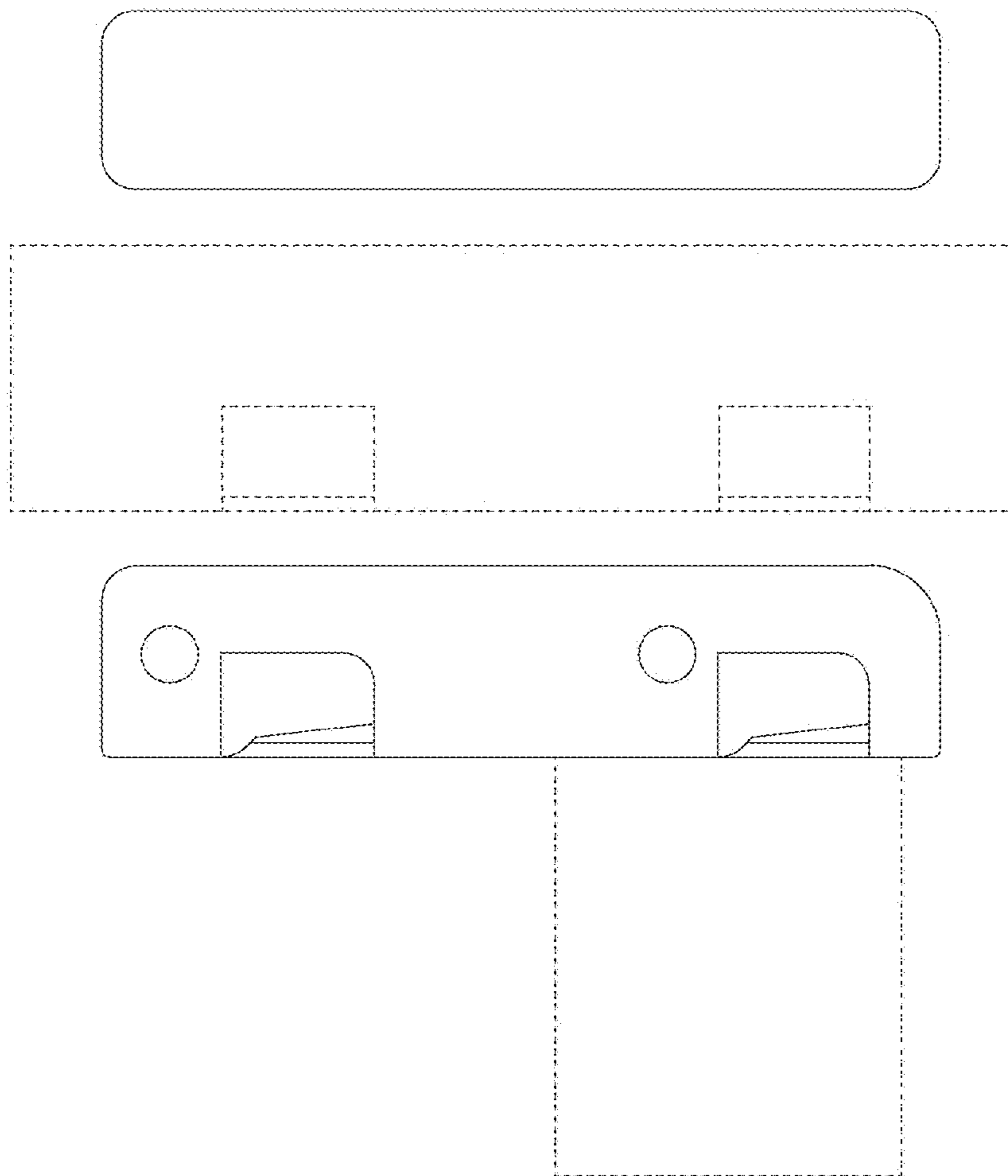


FIG. 20

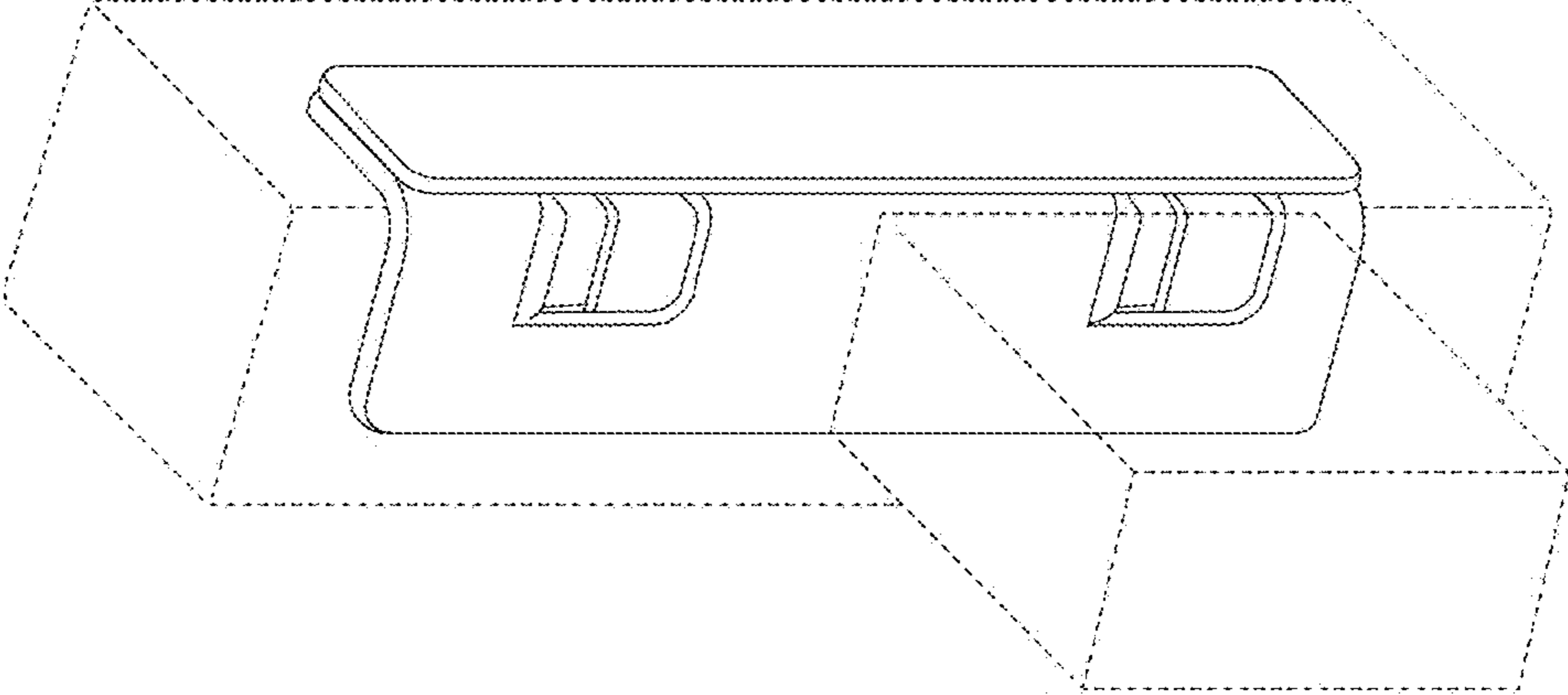


FIG. 21

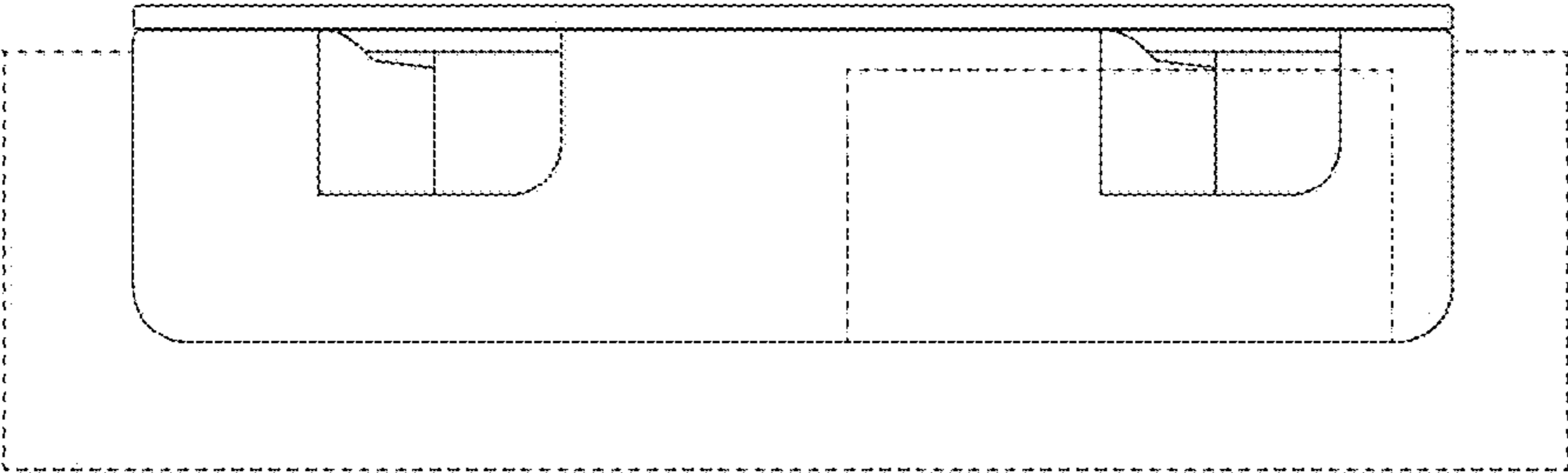


FIG. 22

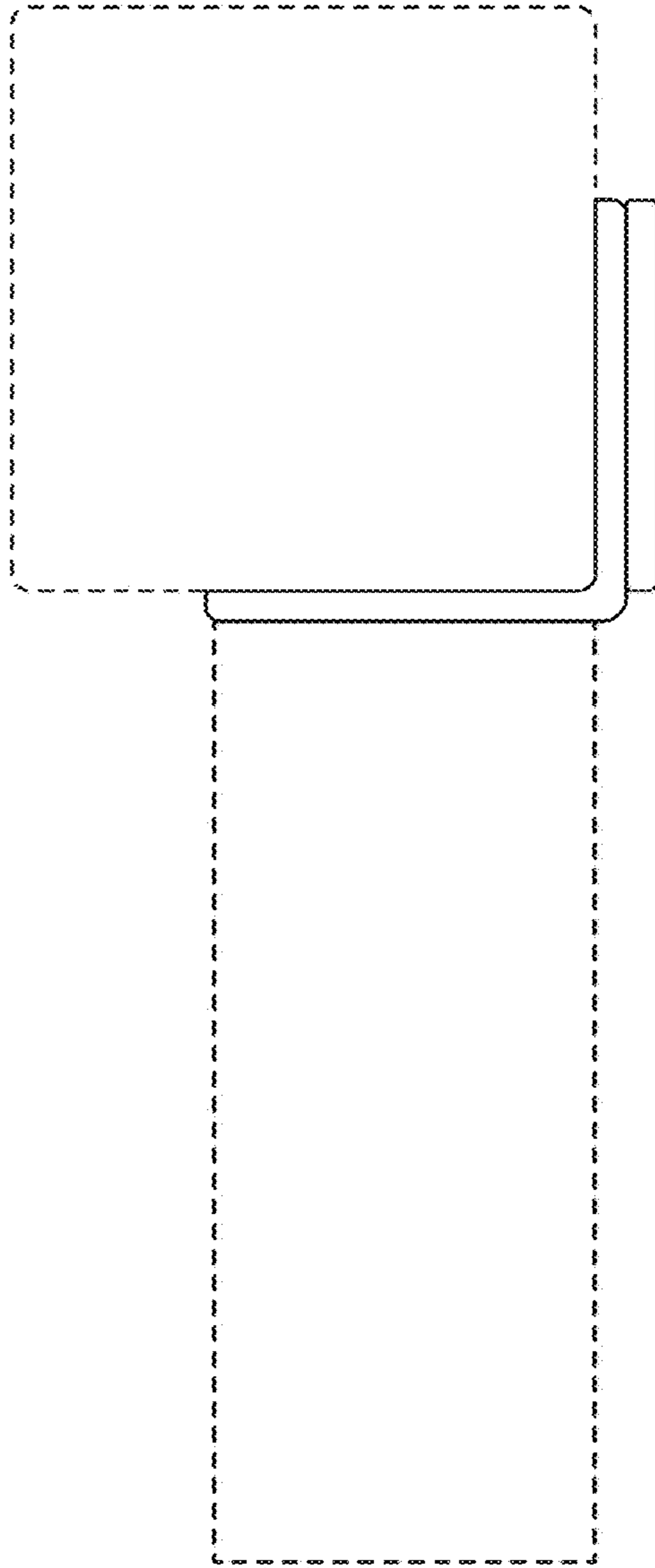


FIG. 23

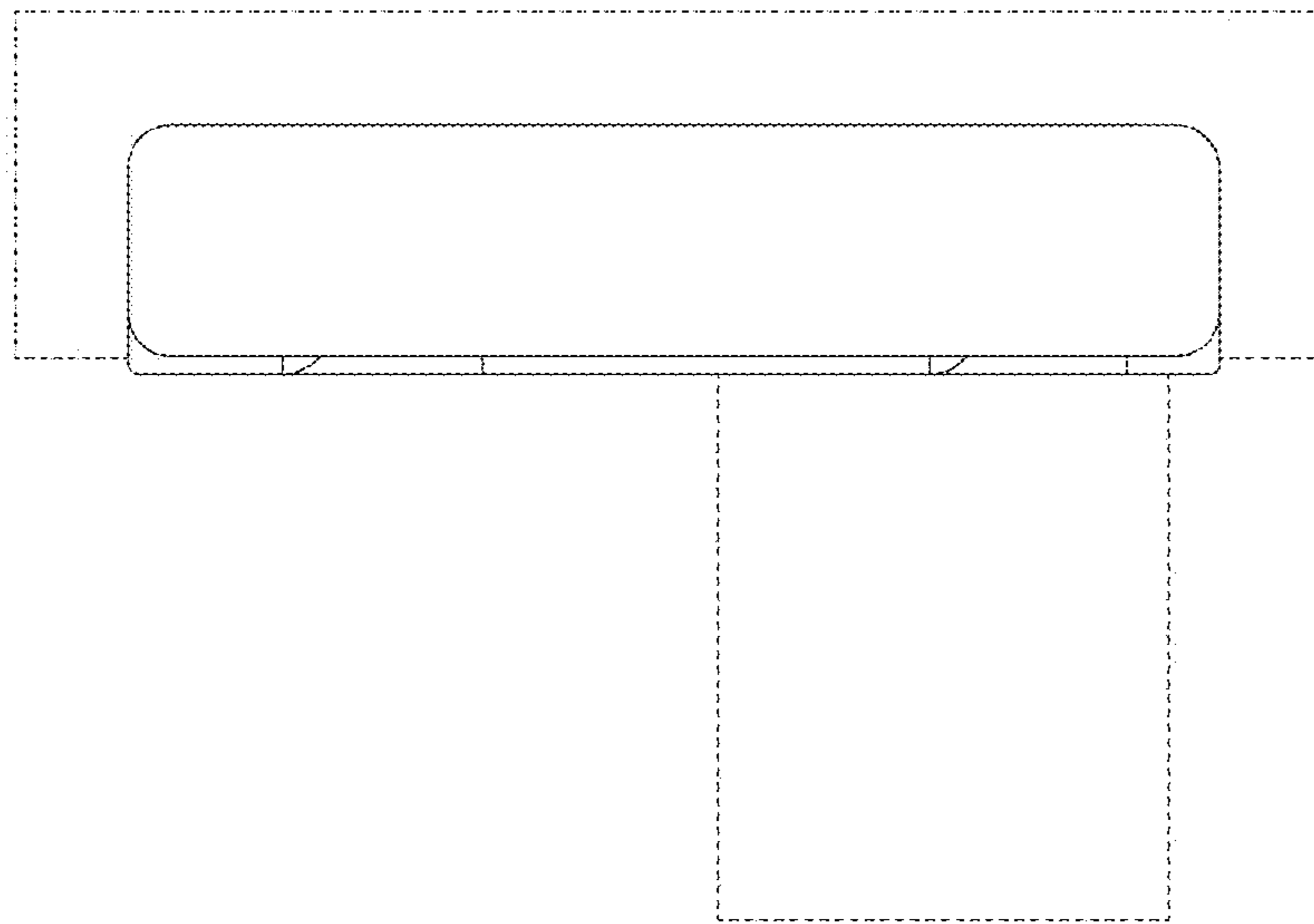


FIG. 24

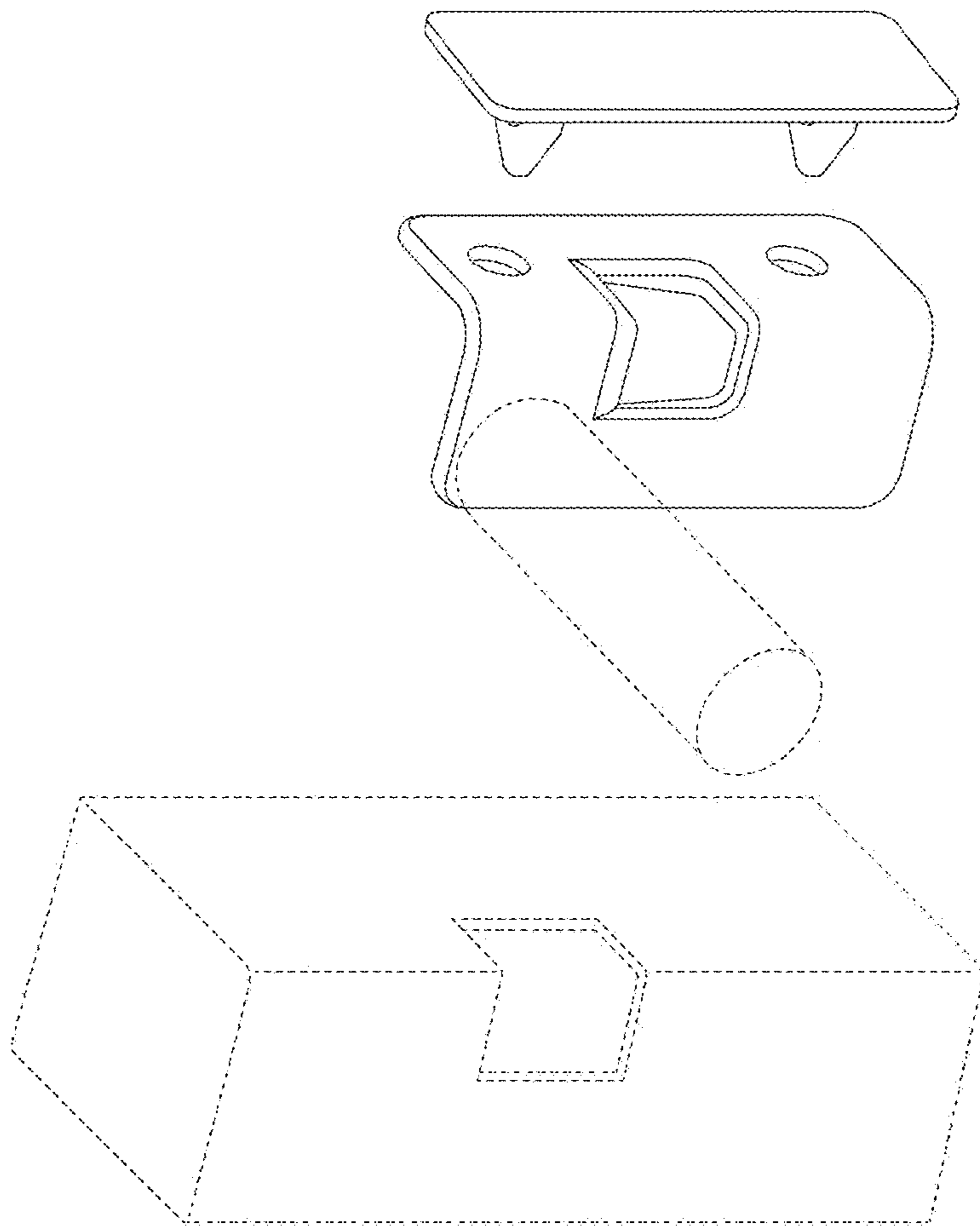


FIG. 25

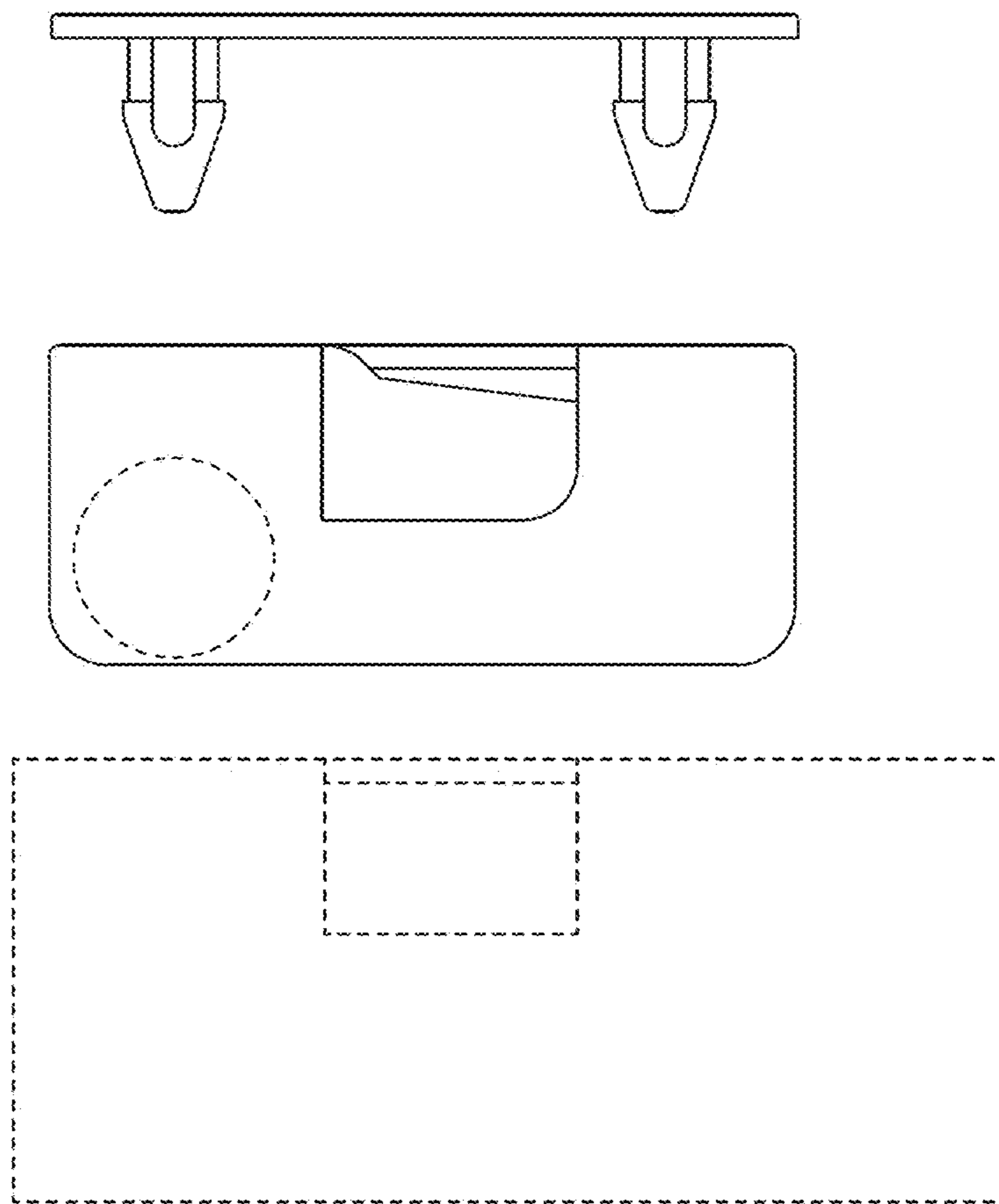


FIG. 26

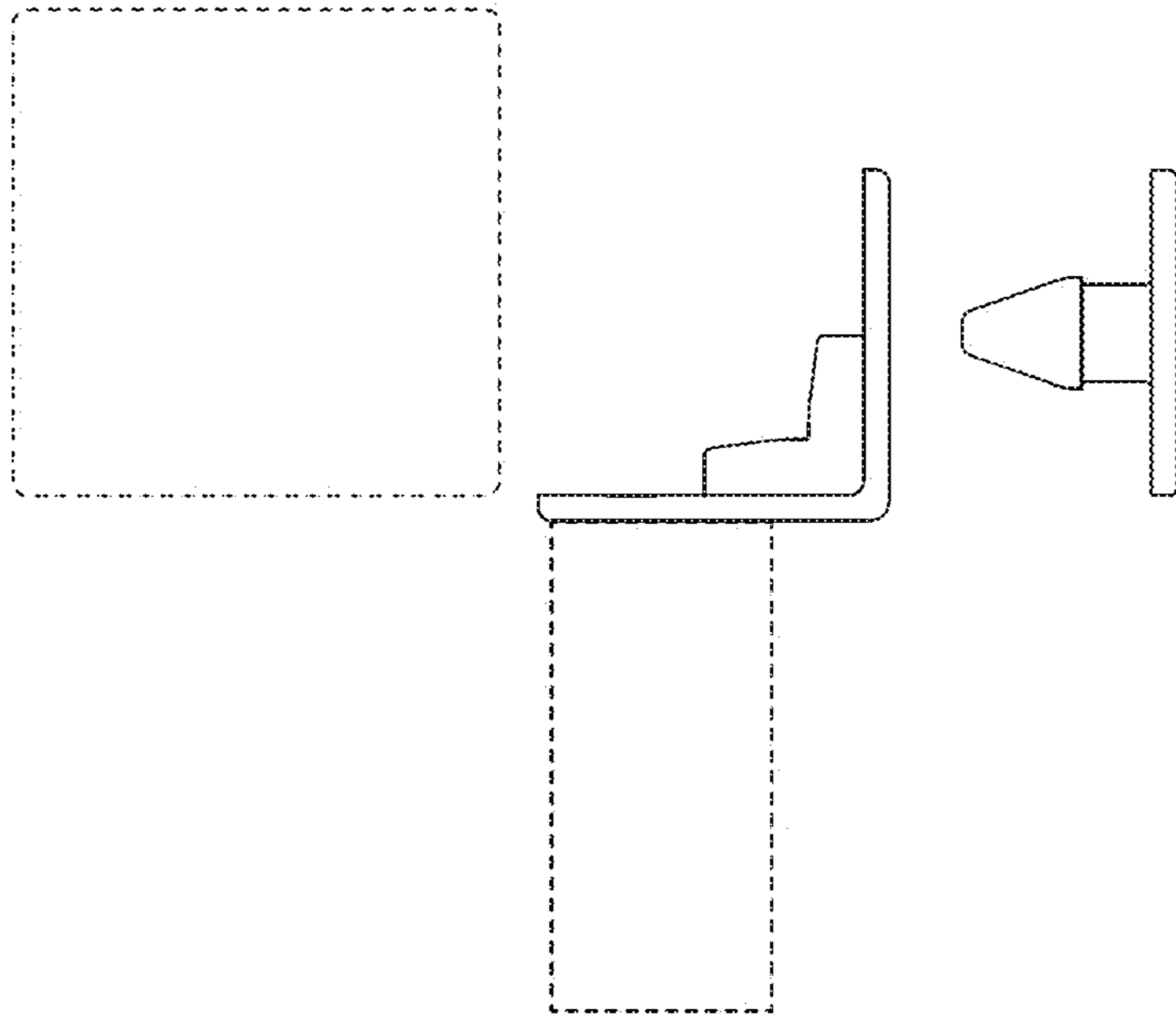


FIG. 27

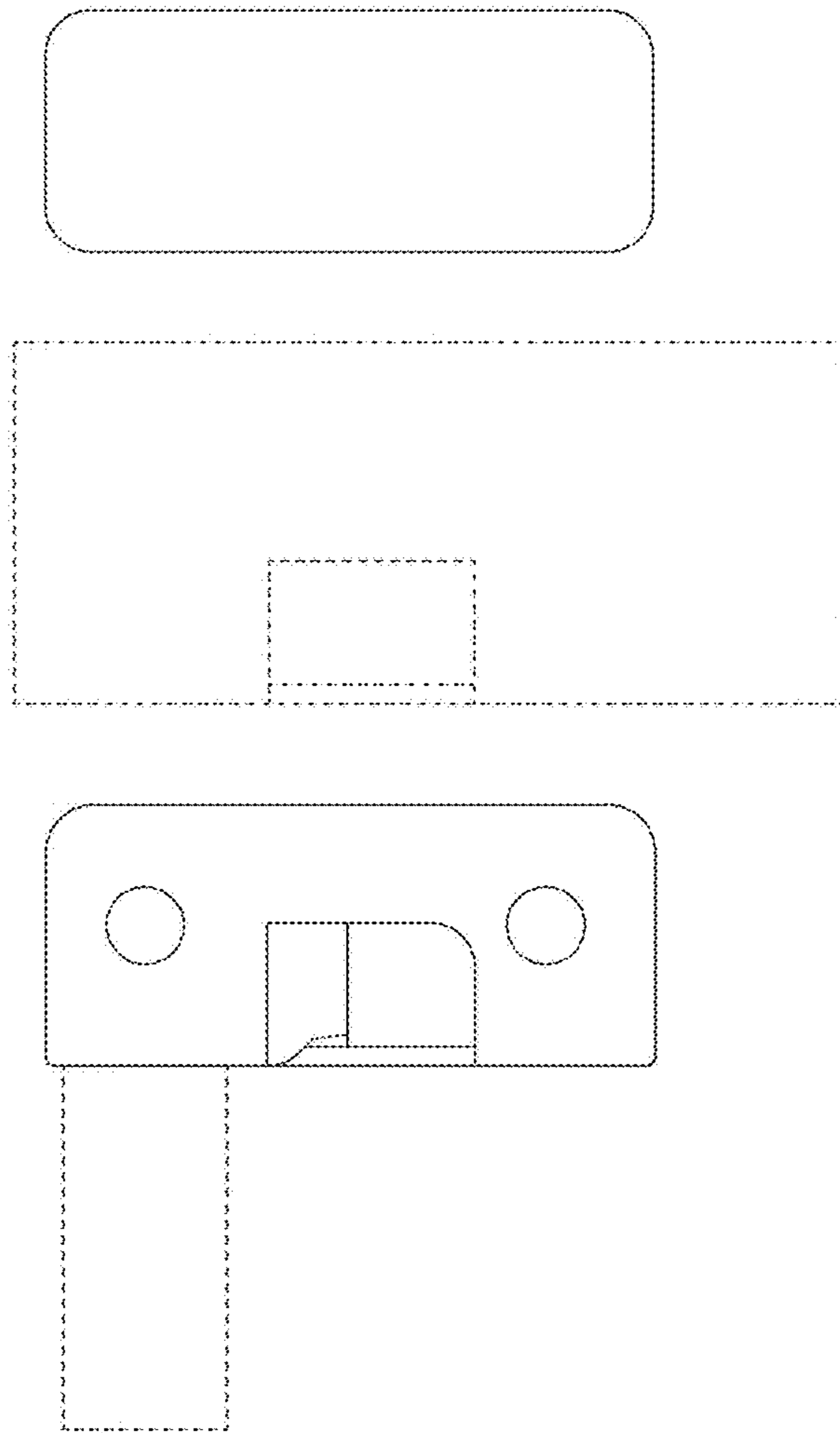


FIG. 28

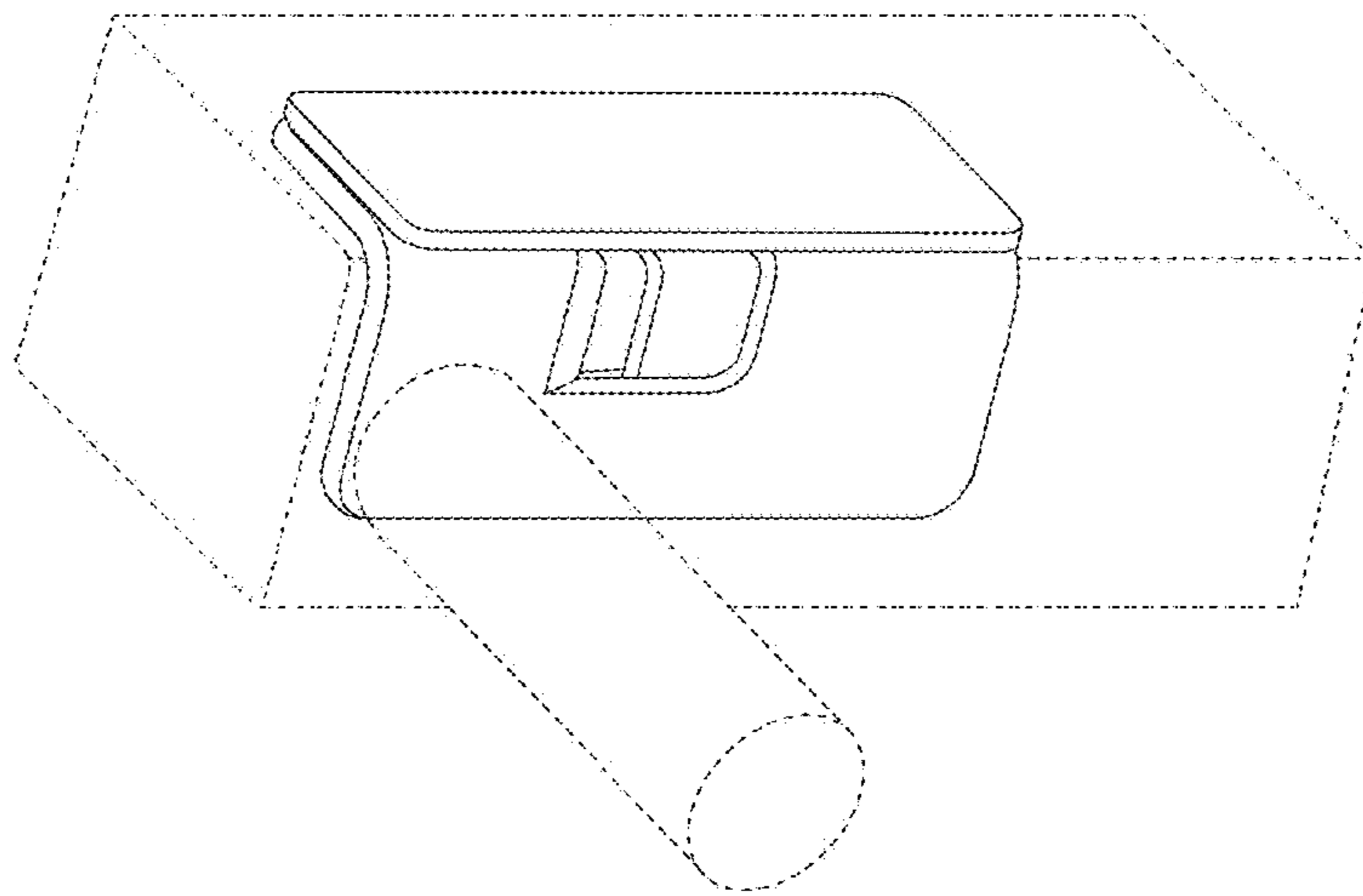


FIG. 29

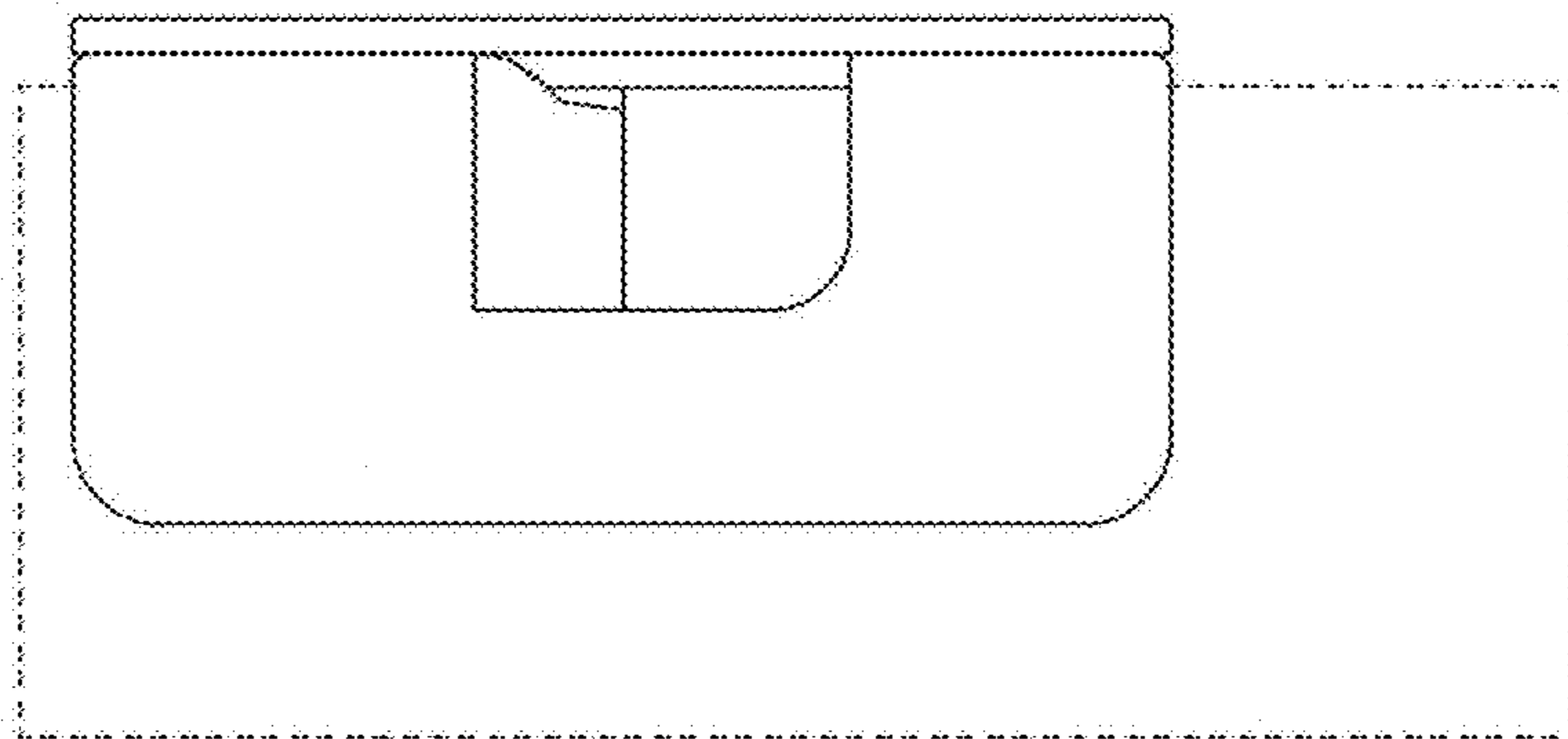


FIG. 30

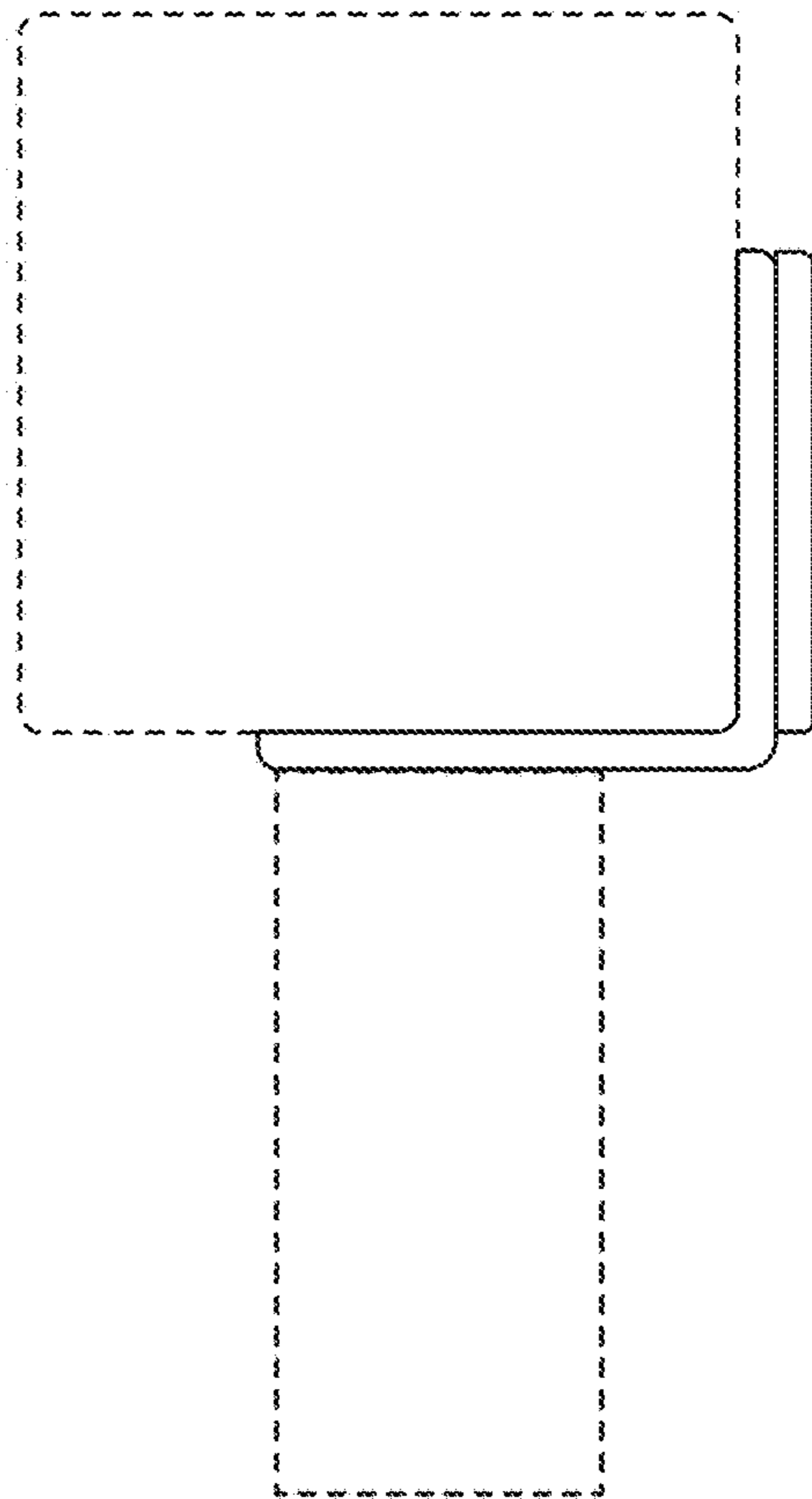


FIG. 31

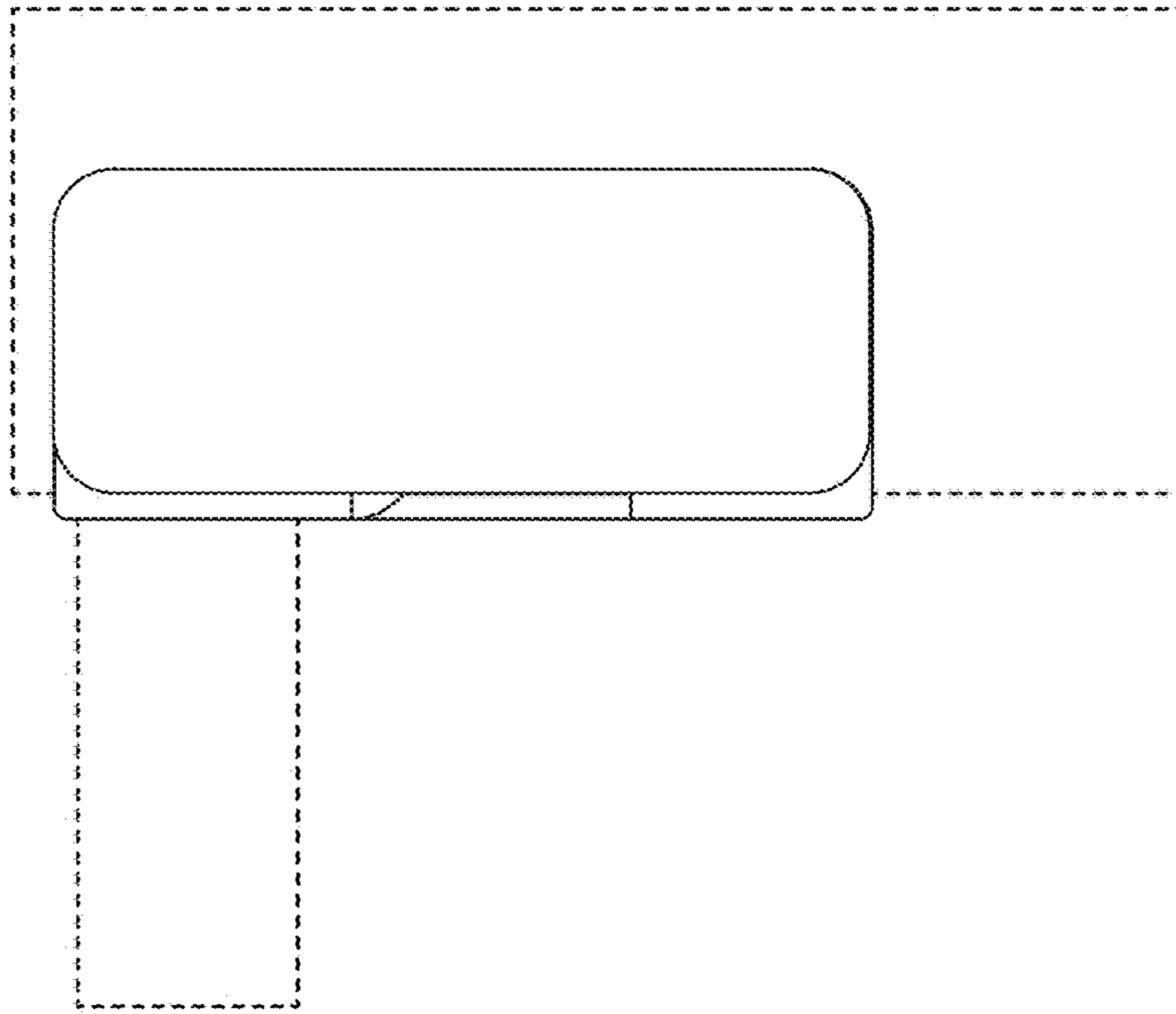


FIG. 32

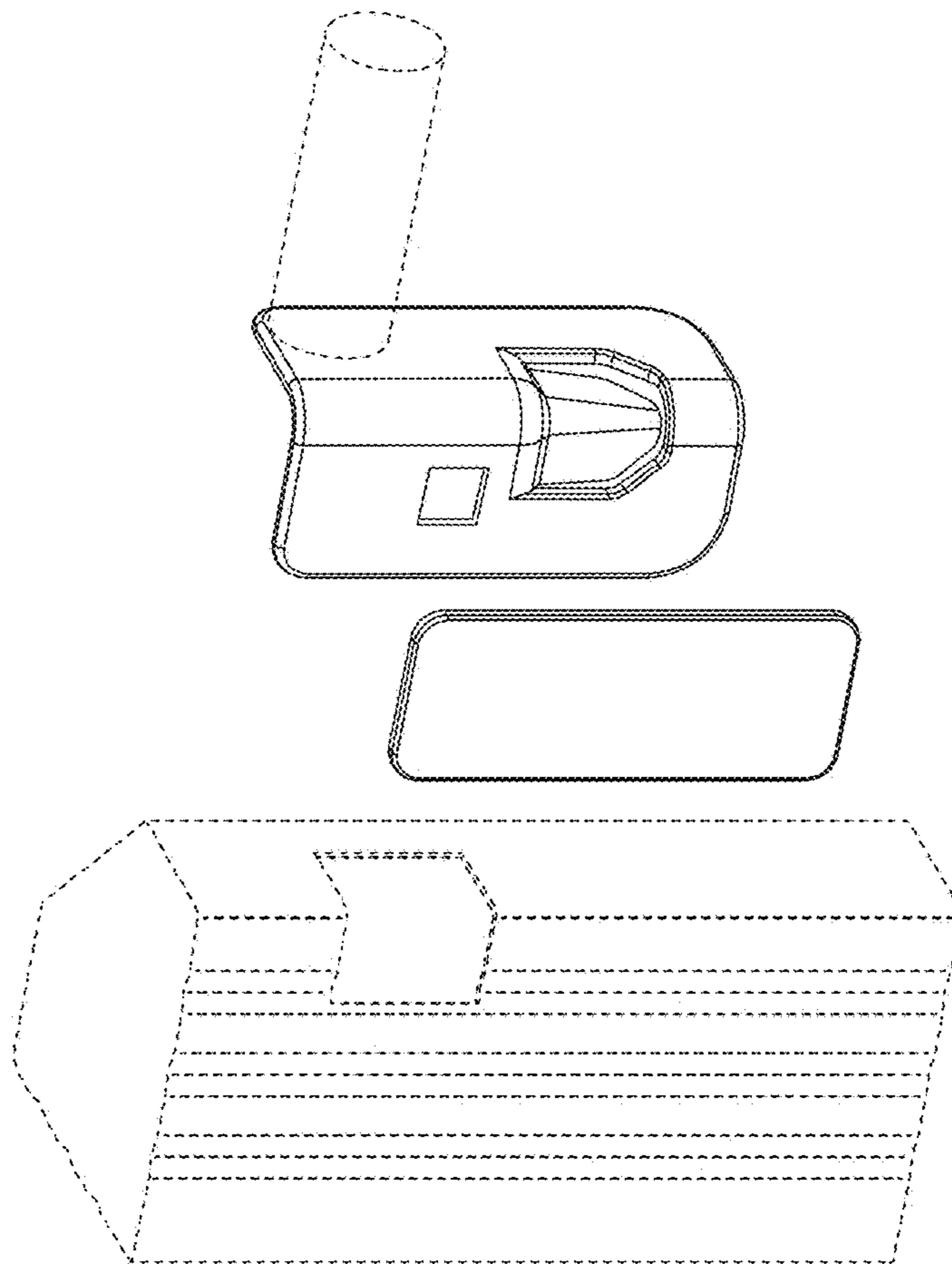


FIG. 33

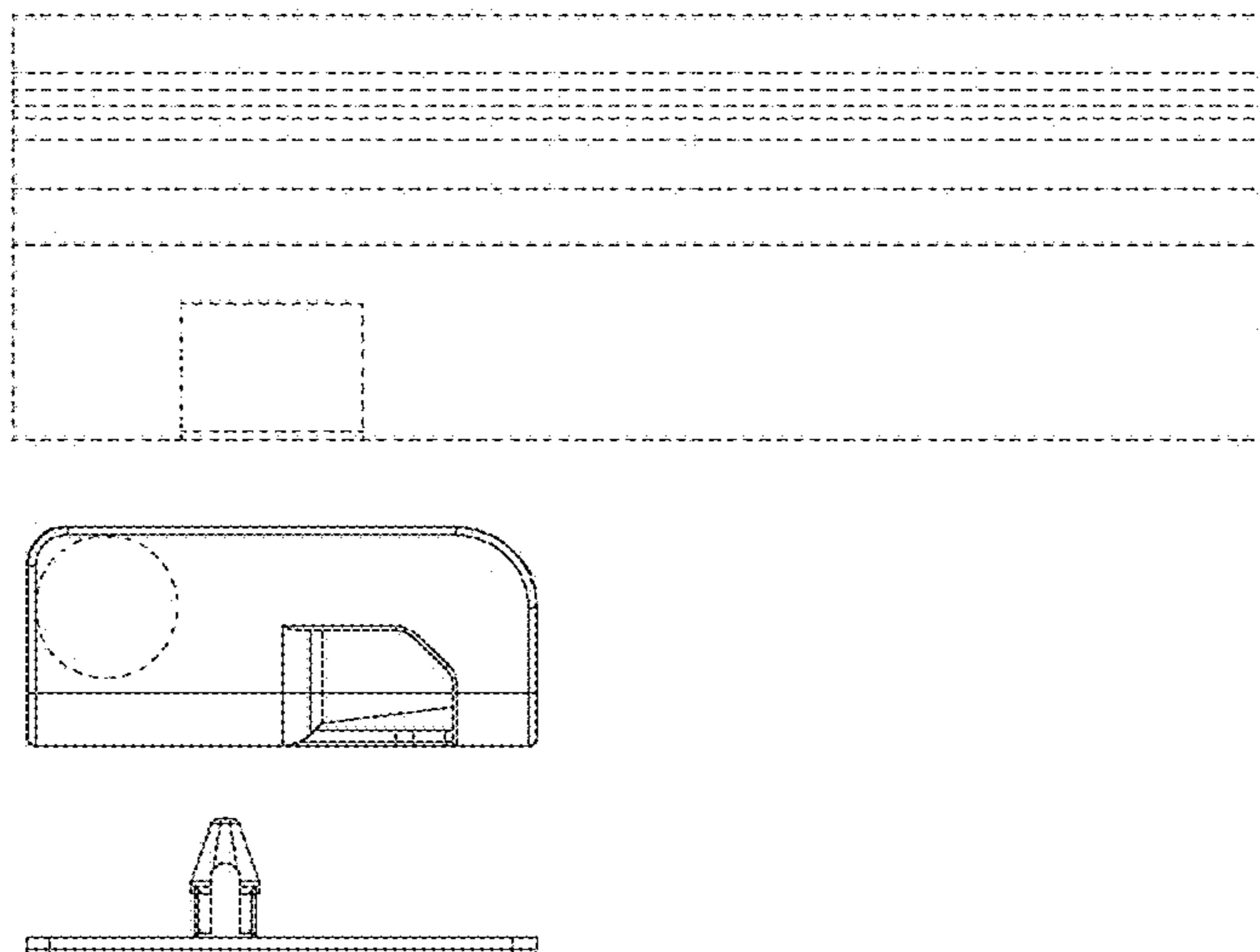


FIG. 34

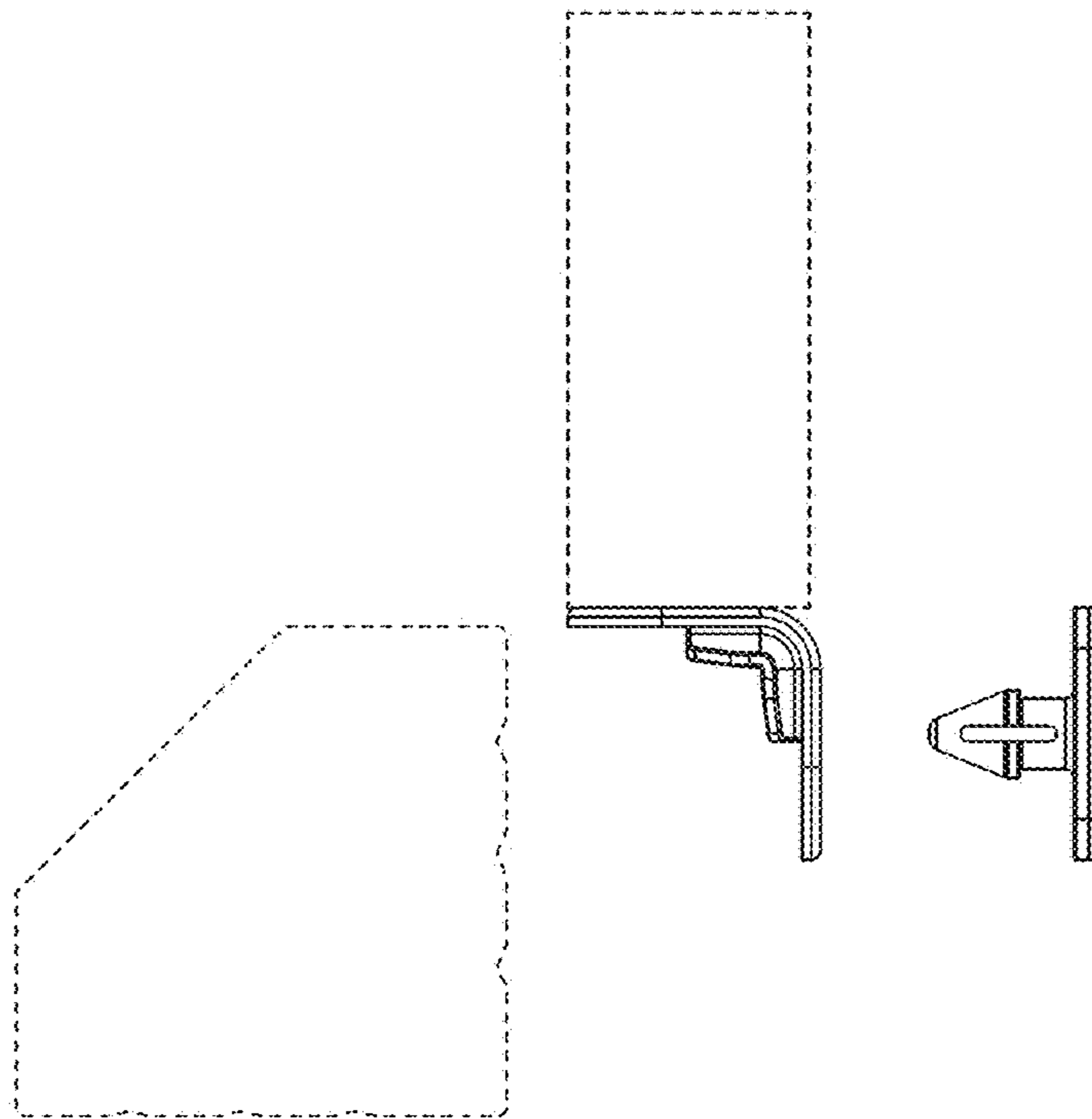


FIG. 35

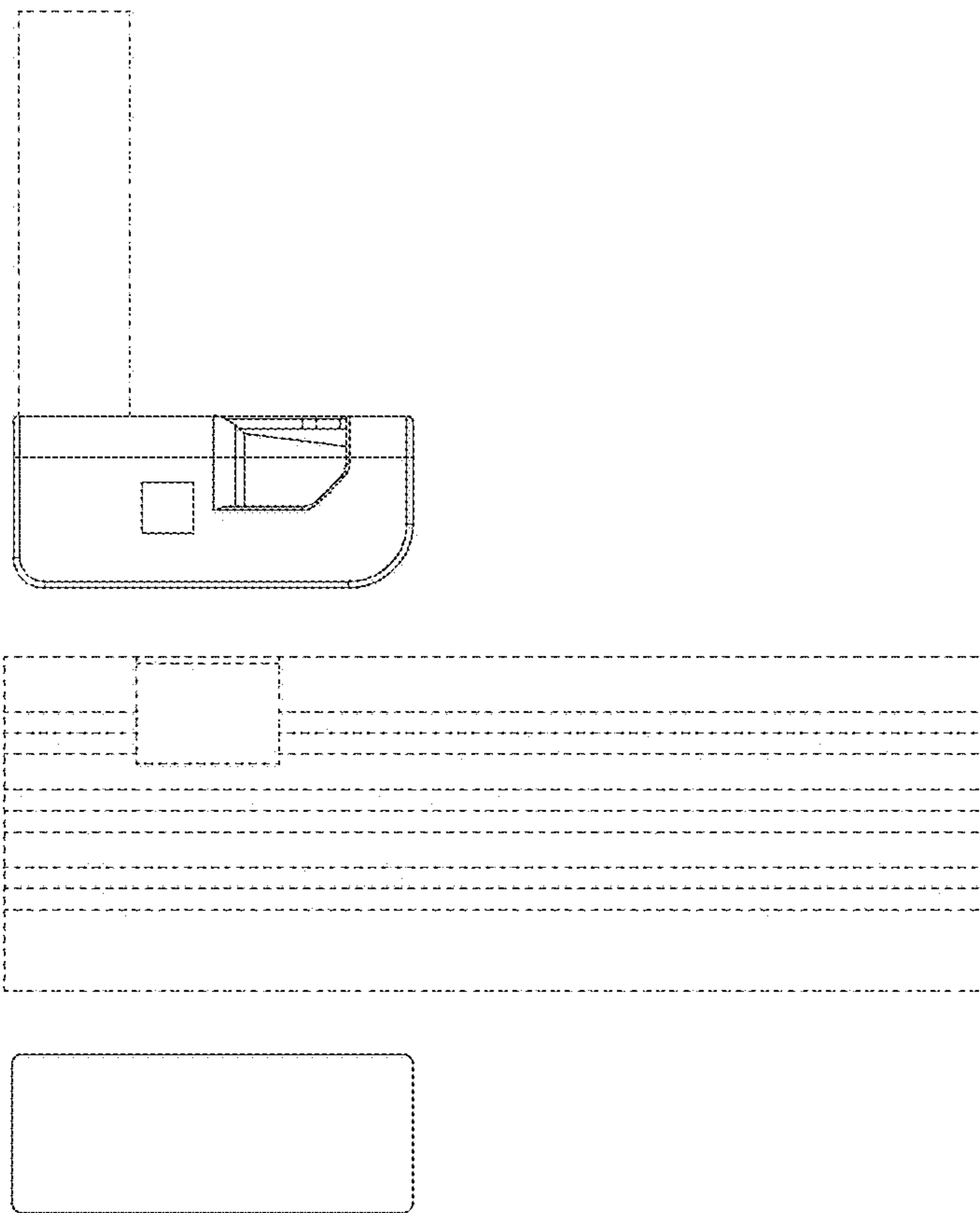


FIG. 36

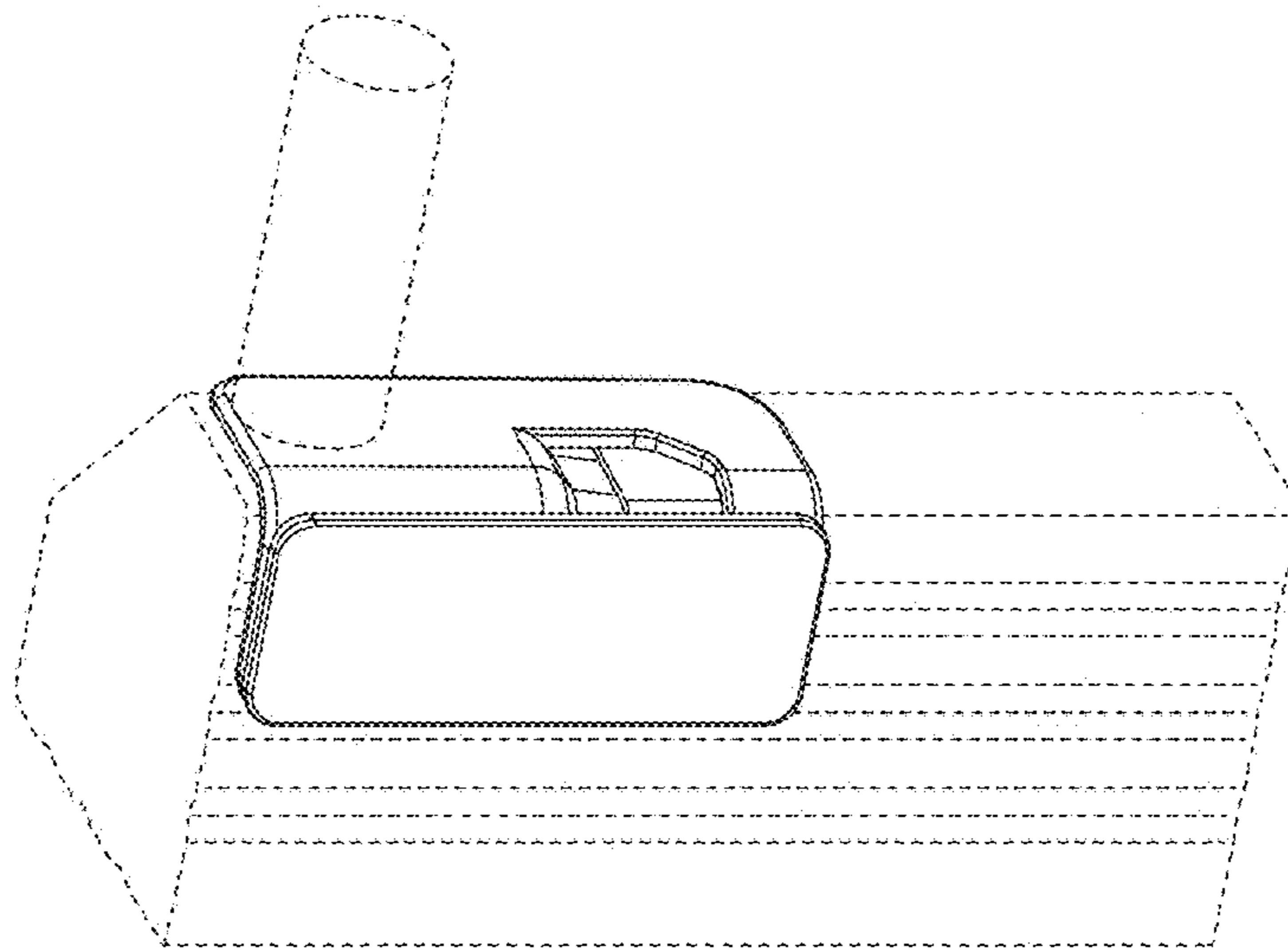


FIG. 37

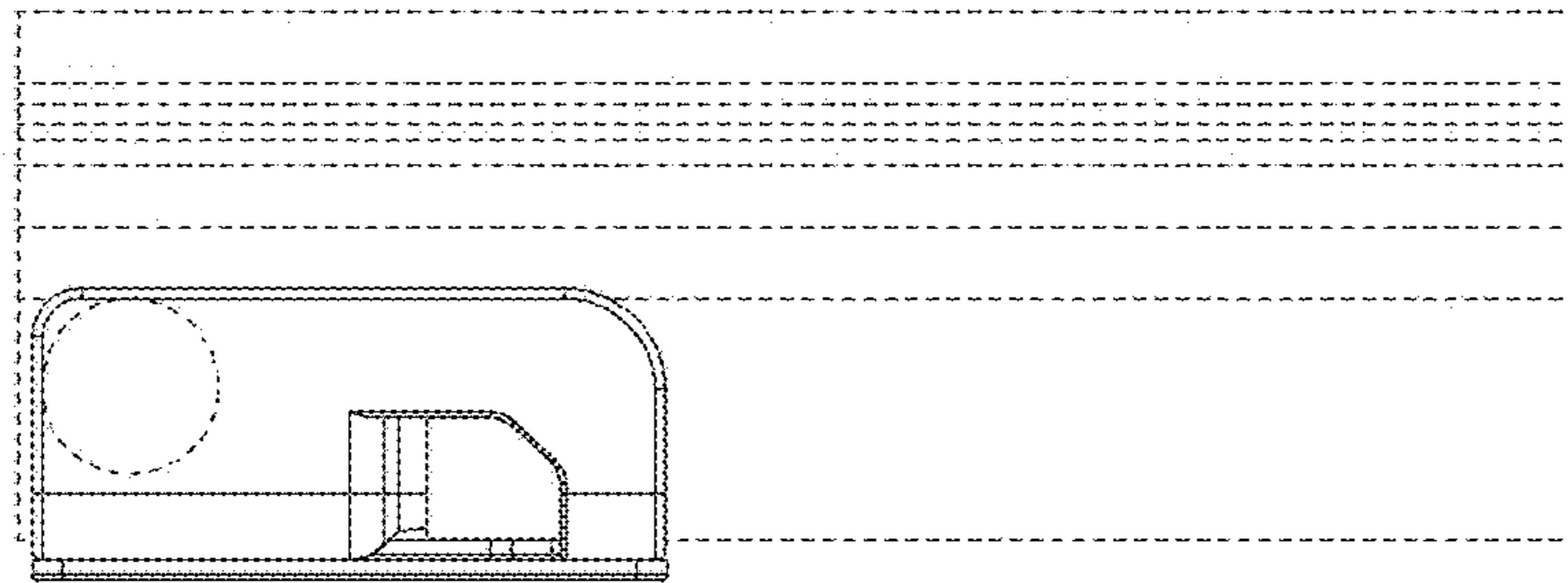


FIG. 38

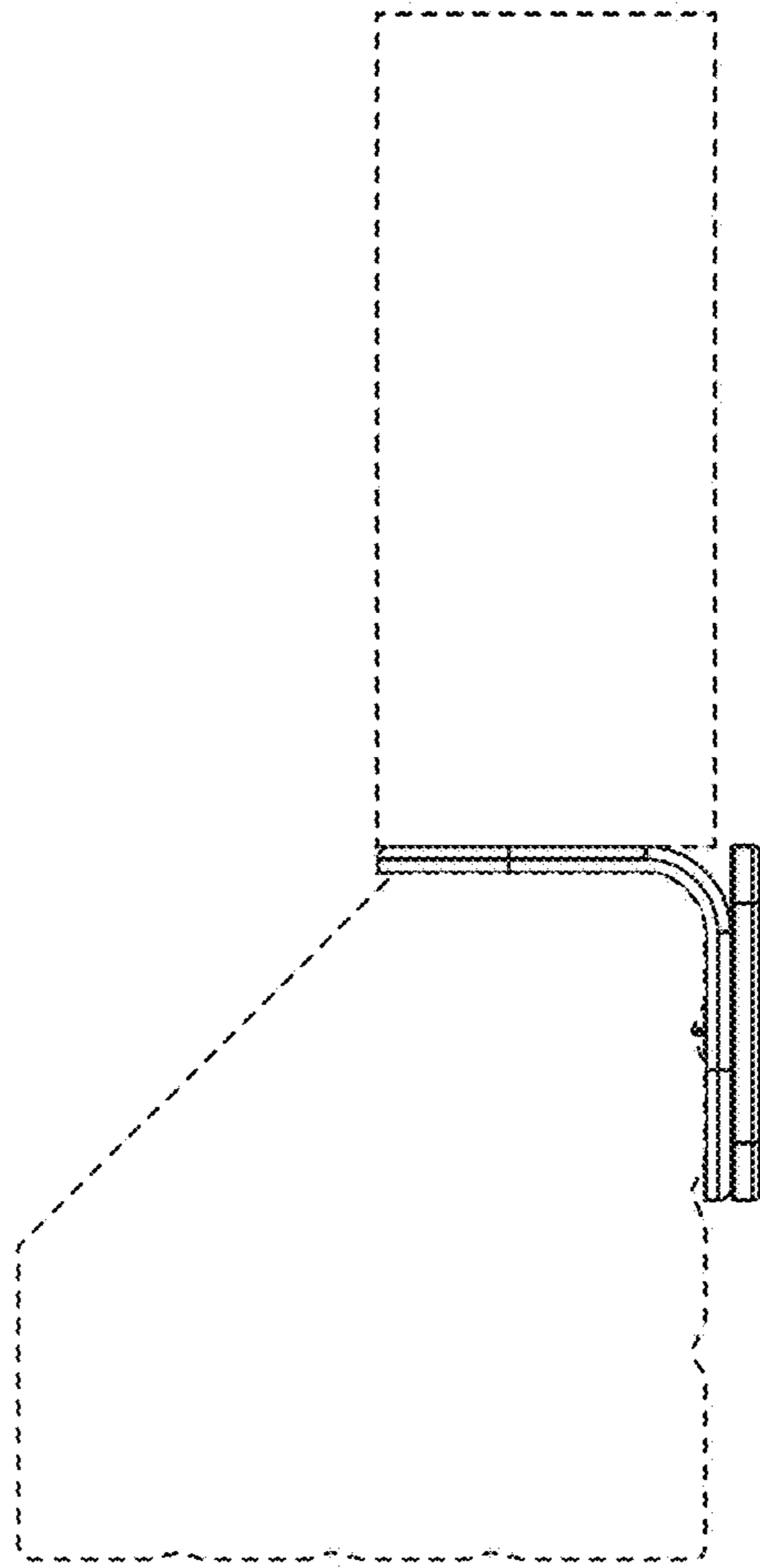


FIG. 39

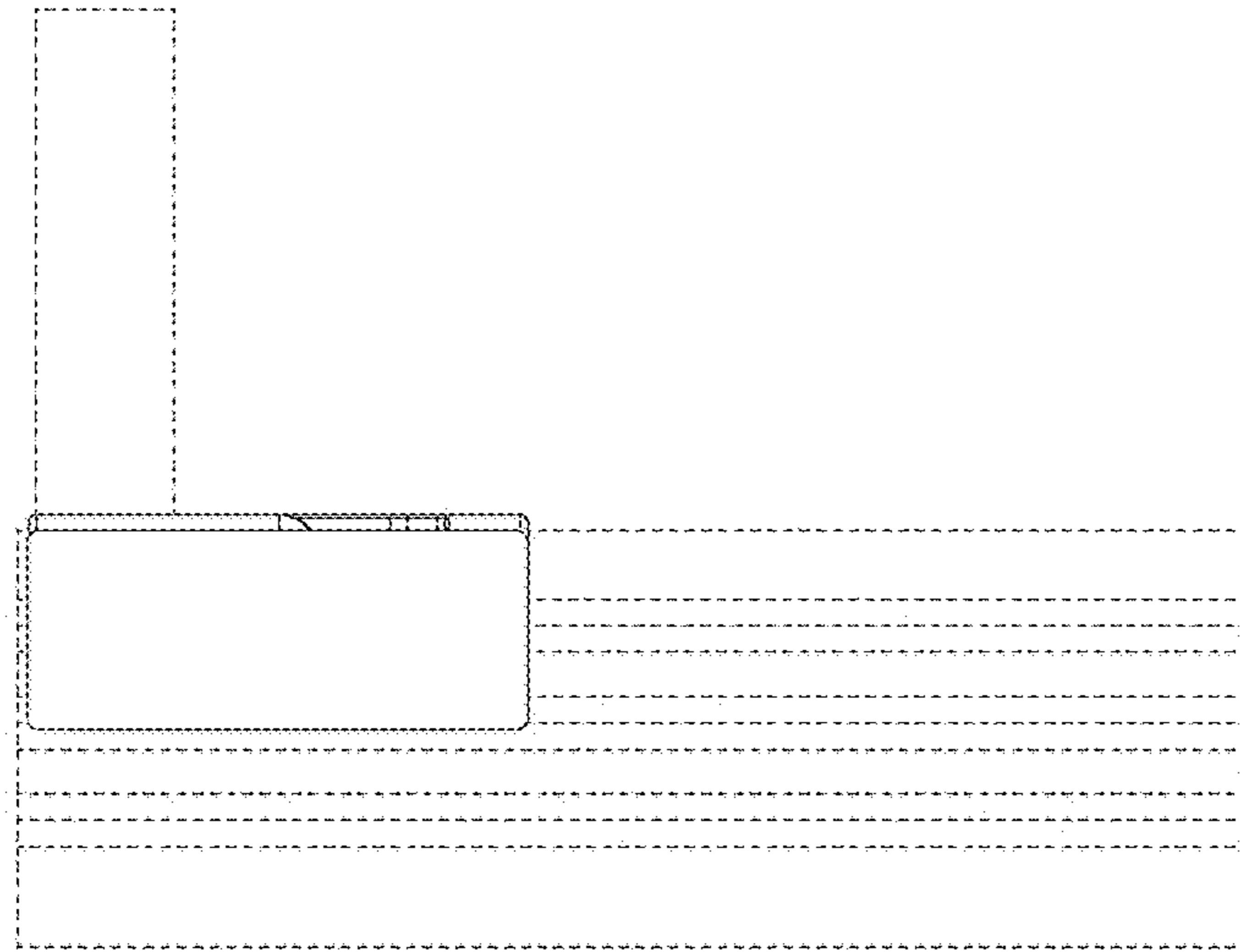


FIG. 40

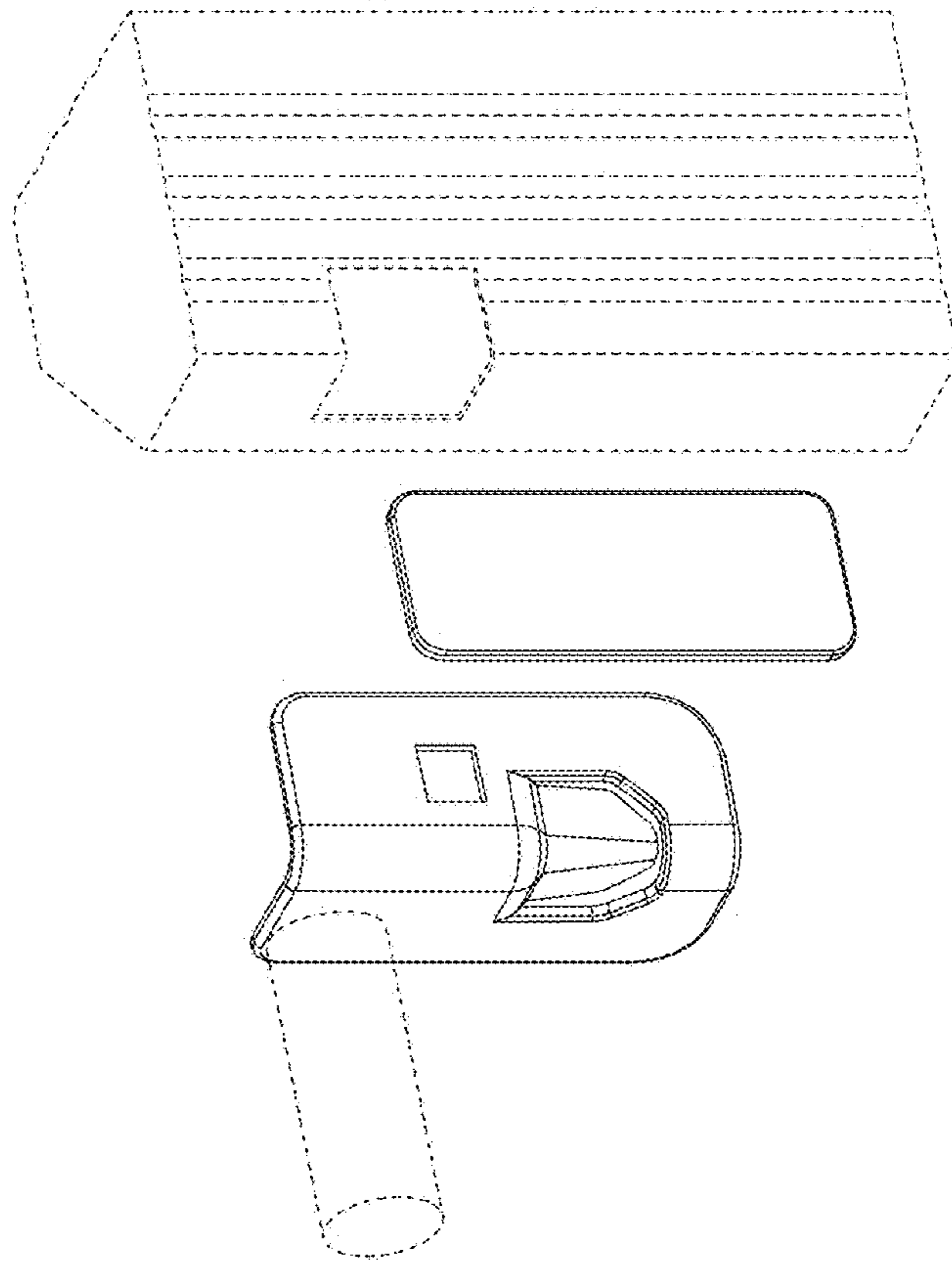


FIG. 41

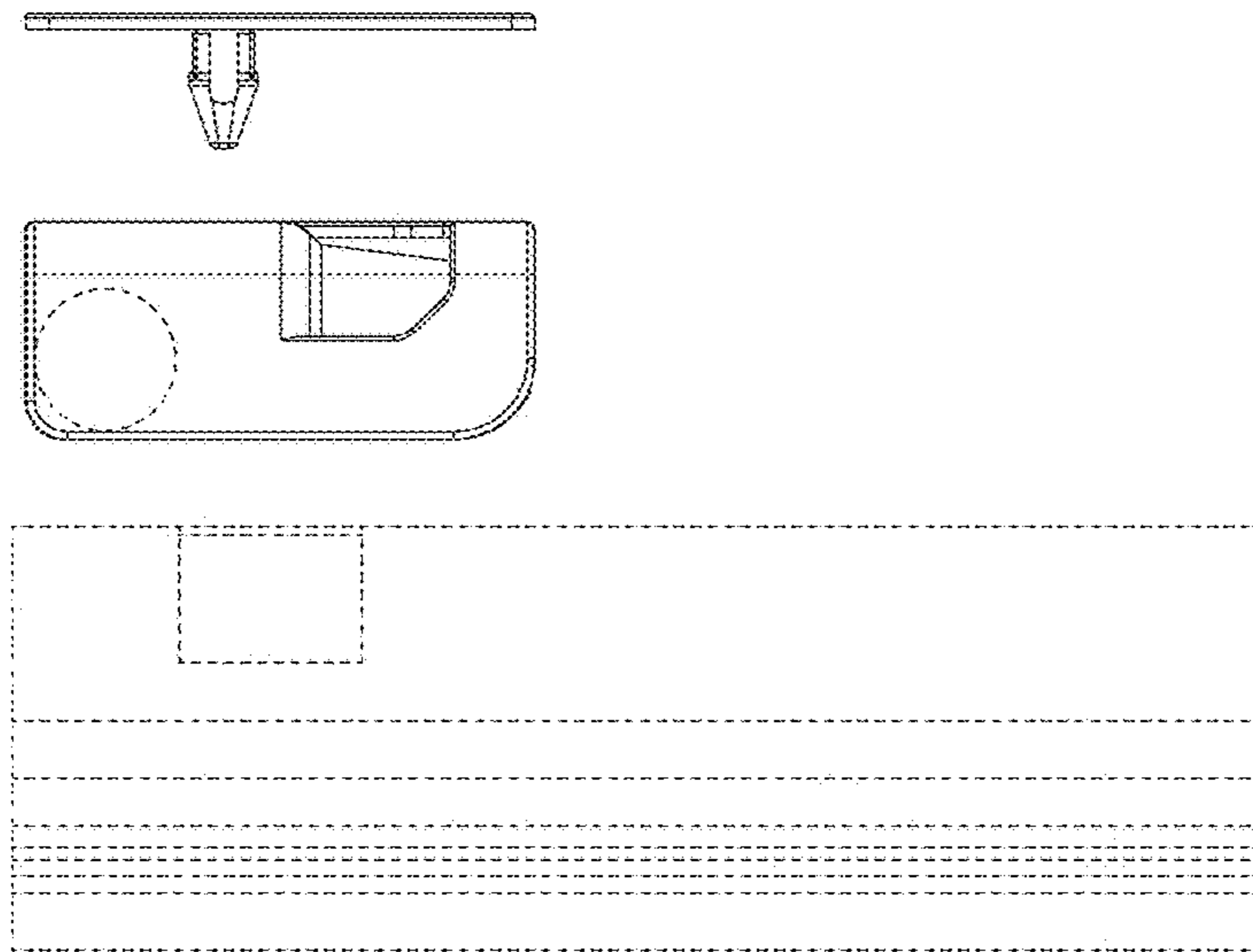


FIG. 42

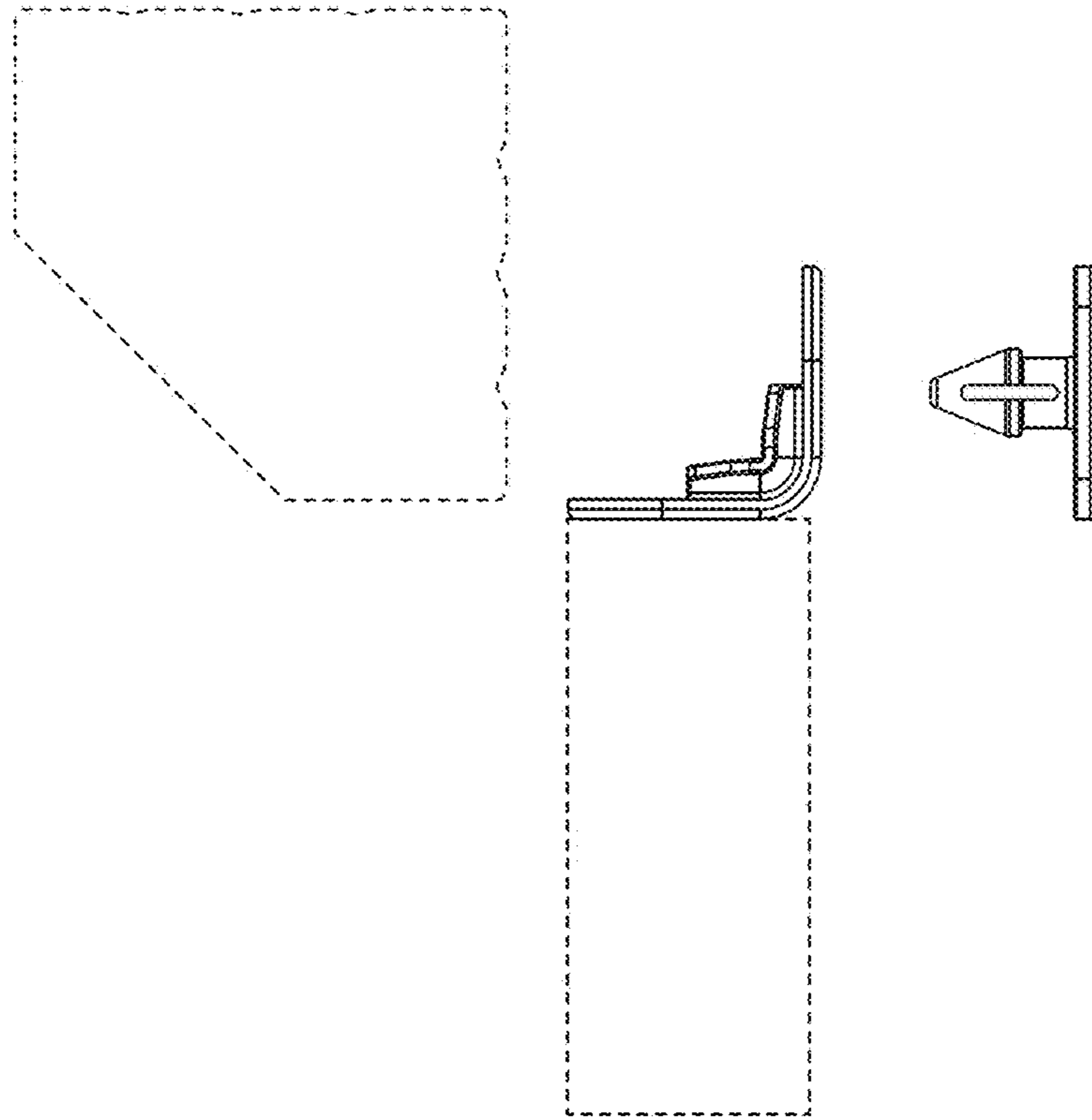


FIG. 43

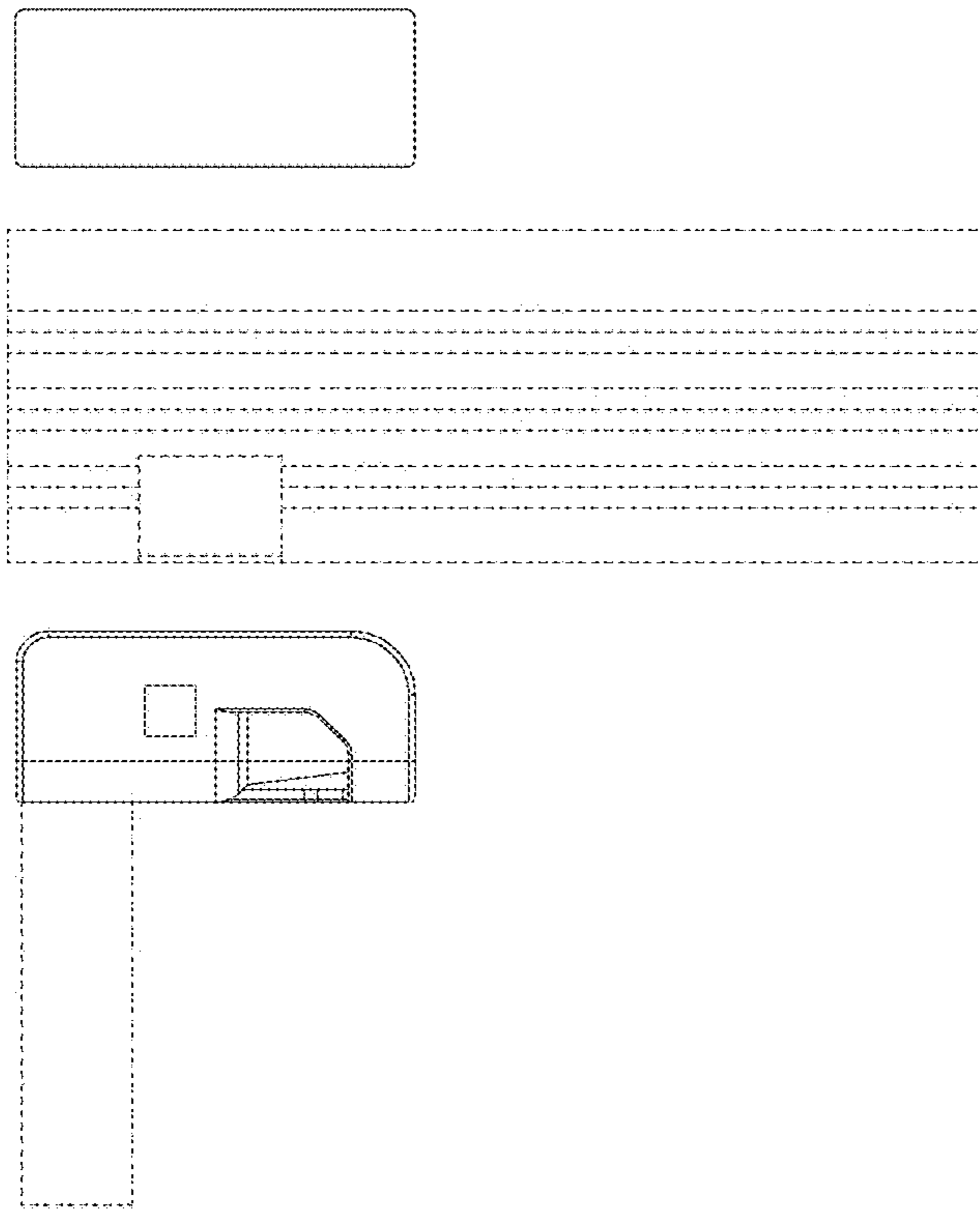


FIG. 44

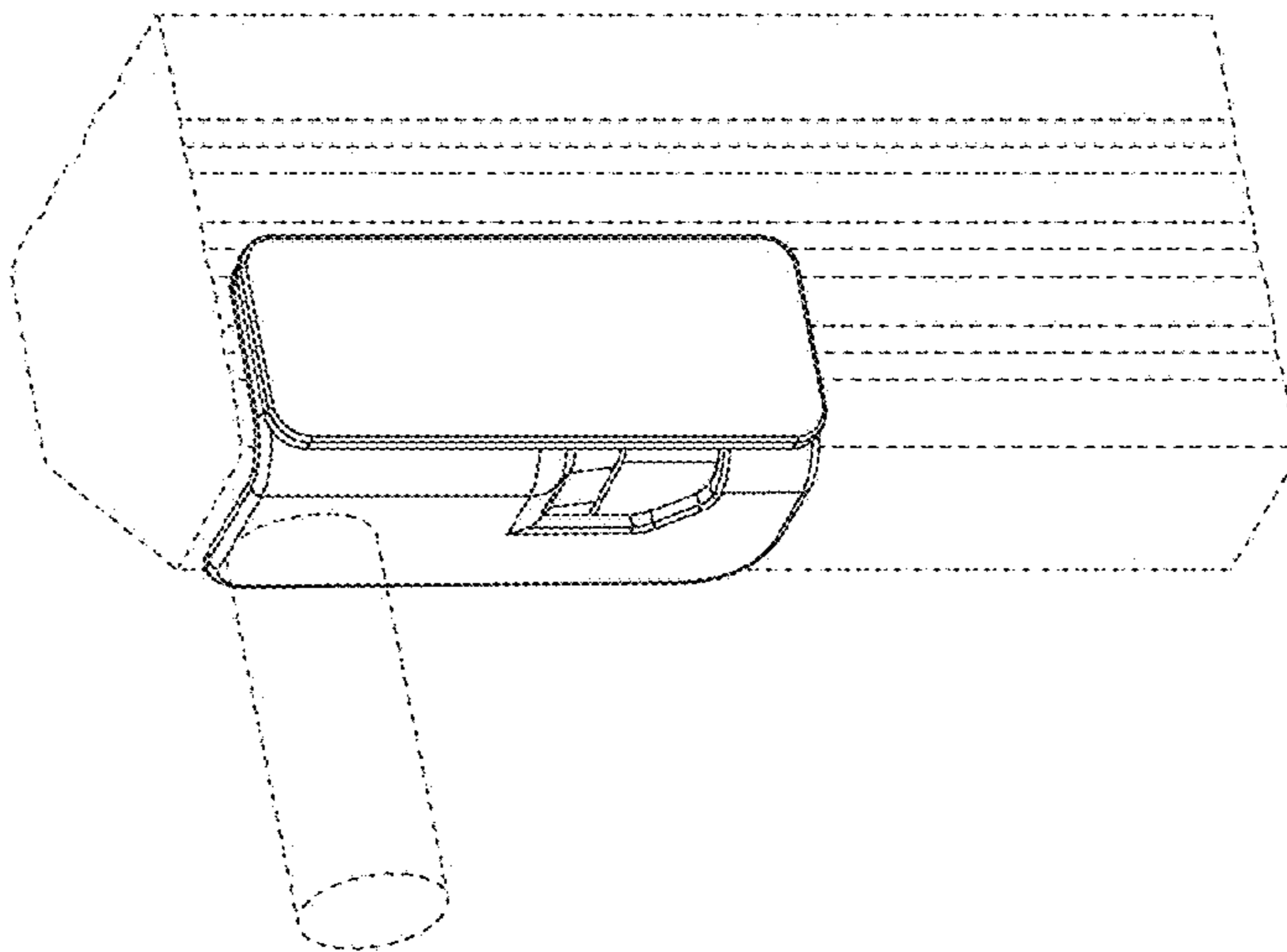


FIG. 45

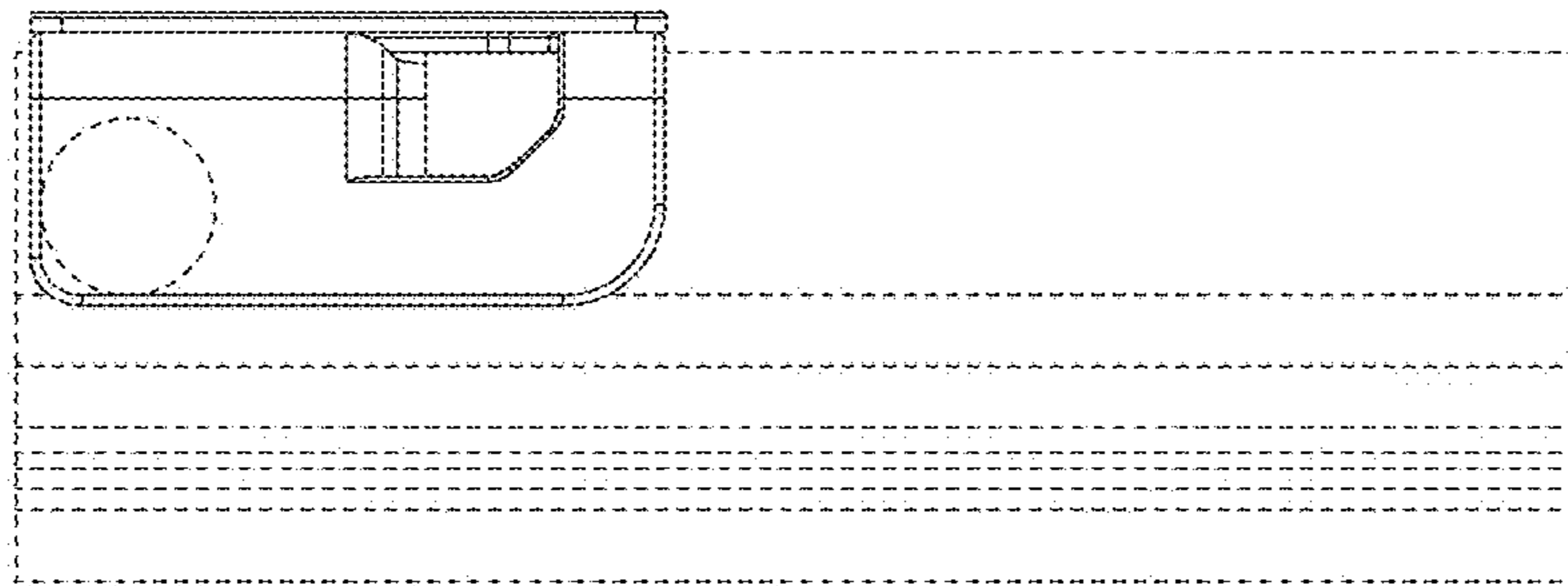


FIG. 46

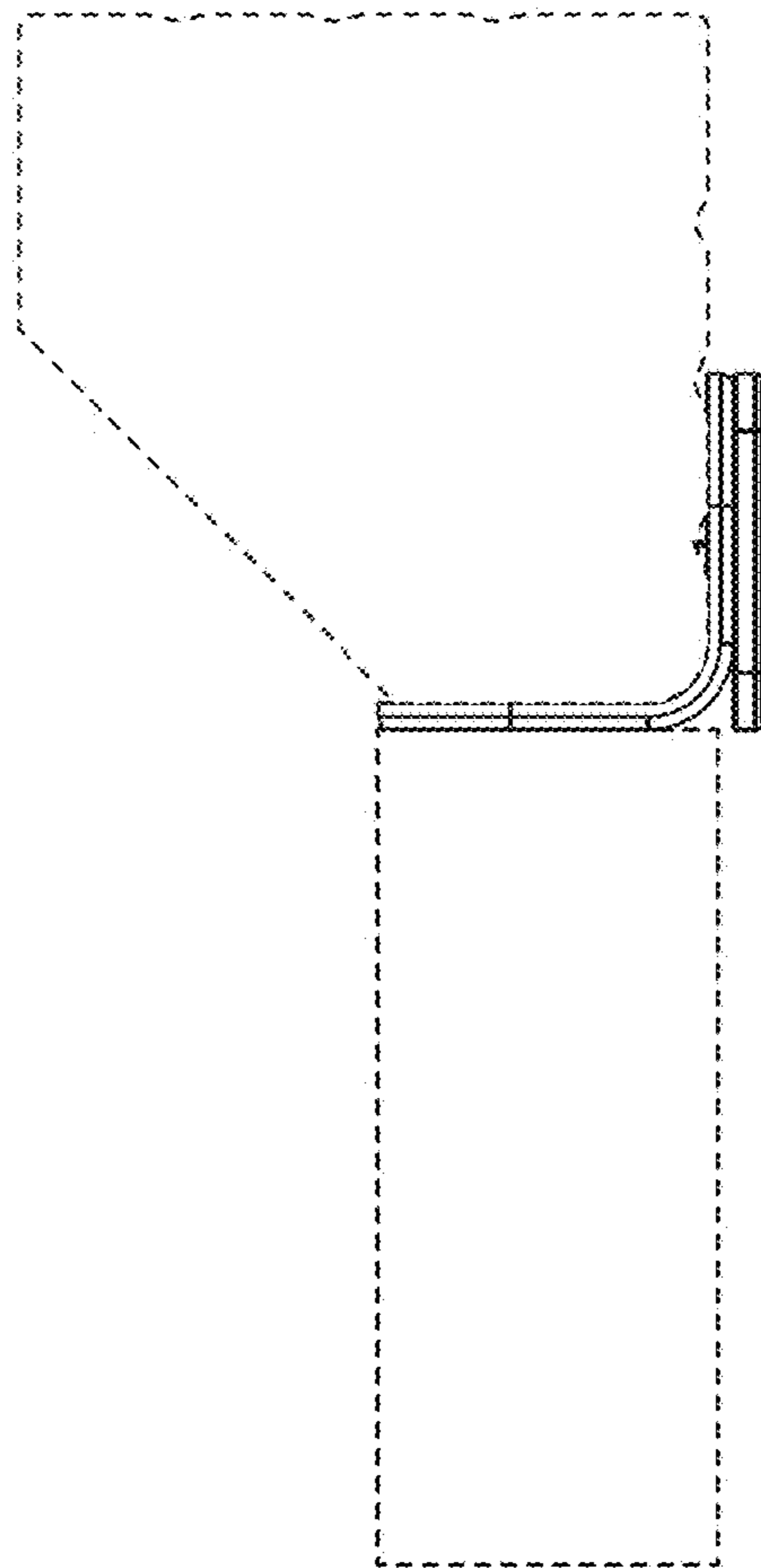


FIG. 47

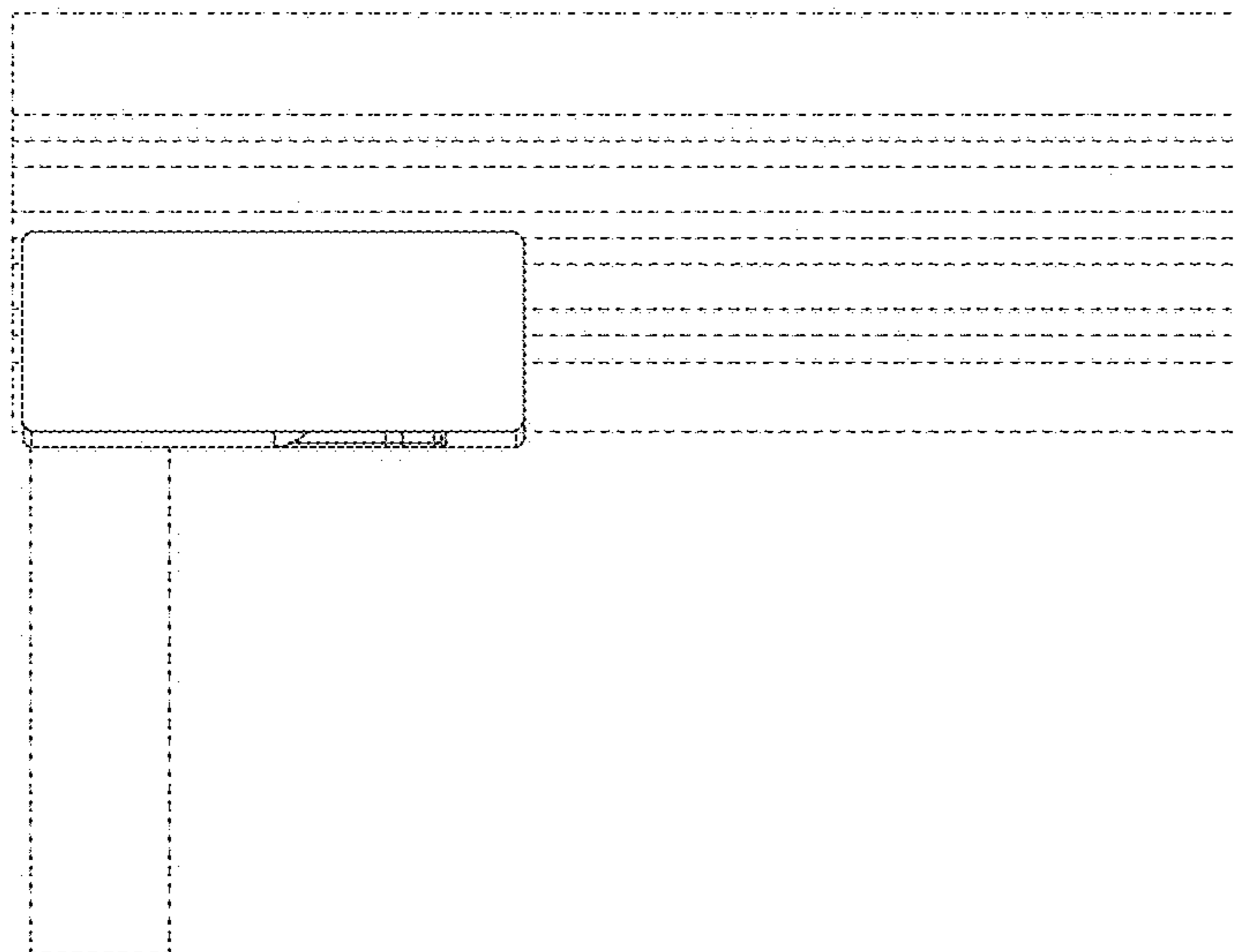


FIG. 48