



US00D815936S

(12) **United States Design Patent**  
**Näslund et al.**

(10) **Patent No.:** **US D815,936 S**  
(45) **Date of Patent:** **\*\* Apr. 24, 2018**

(54) **HOSE BRACKET**  
(71) Applicant: **HUSQVARNA AB**, Huskvarna (SE)  
(72) Inventors: **Jens Näslund**, Spånga (SE); **Taras Czornyj**, Järna (SE)  
(73) Assignee: **HUSQVARNA AB**, Huskvarna (SE)  
(\*\*) Term: **15 Years**  
(21) Appl. No.: **29/580,167**

D462,254 S \* 9/2002 Wright ..... B65H 75/366  
D8/356  
D486,379 S \* 2/2004 Olson ..... D8/370  
D607,312 S \* 1/2010 Silverman ..... D8/373  
D628,465 S \* 12/2010 Hernandez ..... D8/356  
D639,147 S \* 6/2011 Surles ..... D8/356  
D669,341 S \* 10/2012 Hernandez ..... D8/356  
8,286,892 B1 \* 10/2012 Schwanebek ..... B05B 15/062  
239/1  
D708,050 S \* 7/2014 Sauer ..... D8/382  
D724,934 S \* 3/2015 Lu ..... D8/356  
D735,560 S \* 8/2015 Anderson ..... D8/356

(Continued)

(22) Filed: **Oct. 6, 2016**

**FOREIGN PATENT DOCUMENTS**

(30) **Foreign Application Priority Data**

TW D130923 S 9/2009  
TW D168081 S 6/2015

Apr. 8, 2016 (EM) ..... 003060276-0002

*Primary Examiner* — Mark Goodwin

(51) **LOC (11) Cl.** ..... **08-05**

(74) *Attorney, Agent, or Firm* — McNair Law Firm, P.A.

(52) **U.S. Cl.**  
USPC ..... **D8/356; D8/373**

(57) **CLAIM**

(58) **Field of Classification Search**  
USPC .... D8/373, 356, 1, 354, 355, 380, 381, 349,  
D8/358, 359, 499, 382; D21/476, 686;  
D6/553, 681; 248/682, 75, 78, 89, 90,  
248/80; 211/87.01, 32; 137/355.6,  
137/355.18

The ornamental design for a hose bracket, as shown and described.

CPC ..... A47G 25/10; B65G 7/12; B65H 75/366  
See application file for complete search history.

**DESCRIPTION**

(56) **References Cited**

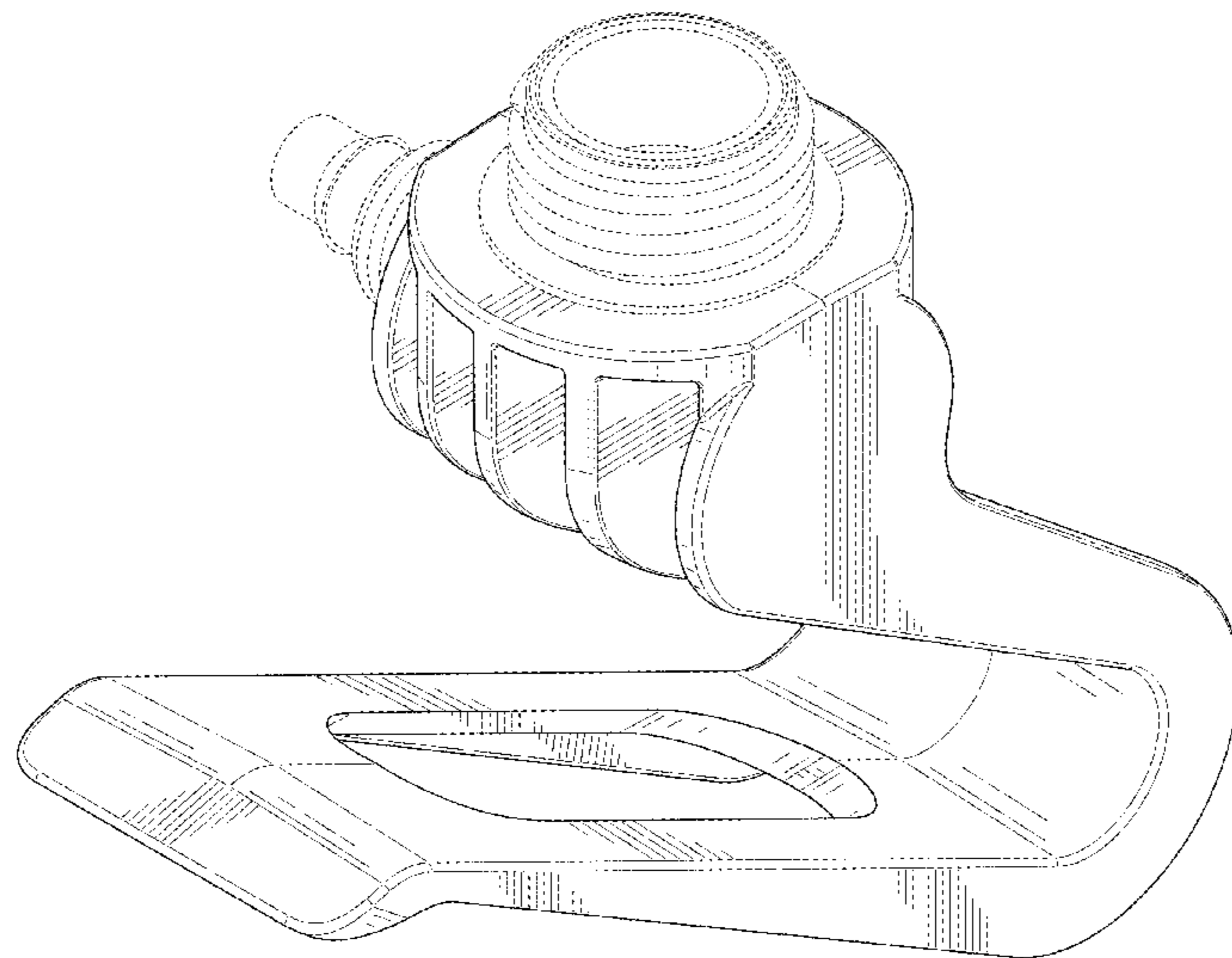
FIG. 1 is a perspective view of a hose bracket in accordance with an embodiment of the present invention;  
FIG. 2 is a front view of the hose bracket of FIG. 1;  
FIG. 3 is a rear view of the hose bracket of FIG. 1;  
FIG. 4 is a right side view of the hose bracket of FIG. 1;  
FIG. 5 is a left side view of the hose bracket of FIG. 1;  
FIG. 6 is a top view of the hose bracket of FIG. 1;  
FIG. 7 is a bottom view of the hose bracket of FIG. 1; and,  
FIG. 8 is a front view of the hose bracket of FIG. 1 attached to a hose.

**U.S. PATENT DOCUMENTS**

401,683 A \* 4/1889 Buell ..... A47G 25/0607  
248/303  
D156,659 S \* 12/1949 Reed ..... D8/371  
D274,487 S \* 7/1984 Eads ..... D6/553  
D281,221 S \* 11/1985 Edmiston ..... D8/356  
D328,857 S \* 8/1992 Ceko ..... D8/356  
D334,529 S \* 4/1993 Guilbert ..... D6/678.4  
D396,405 S \* 7/1998 Zaccardelli ..... D8/373  
6,059,215 A \* 5/2000 Finnis ..... B65H 75/366  
242/400.1

The broken lines of FIGS. 1-8 are illustrative of the visible environmental structure of the hose bracket and form no part of the claimed design.

**1 Claim, 8 Drawing Sheets**



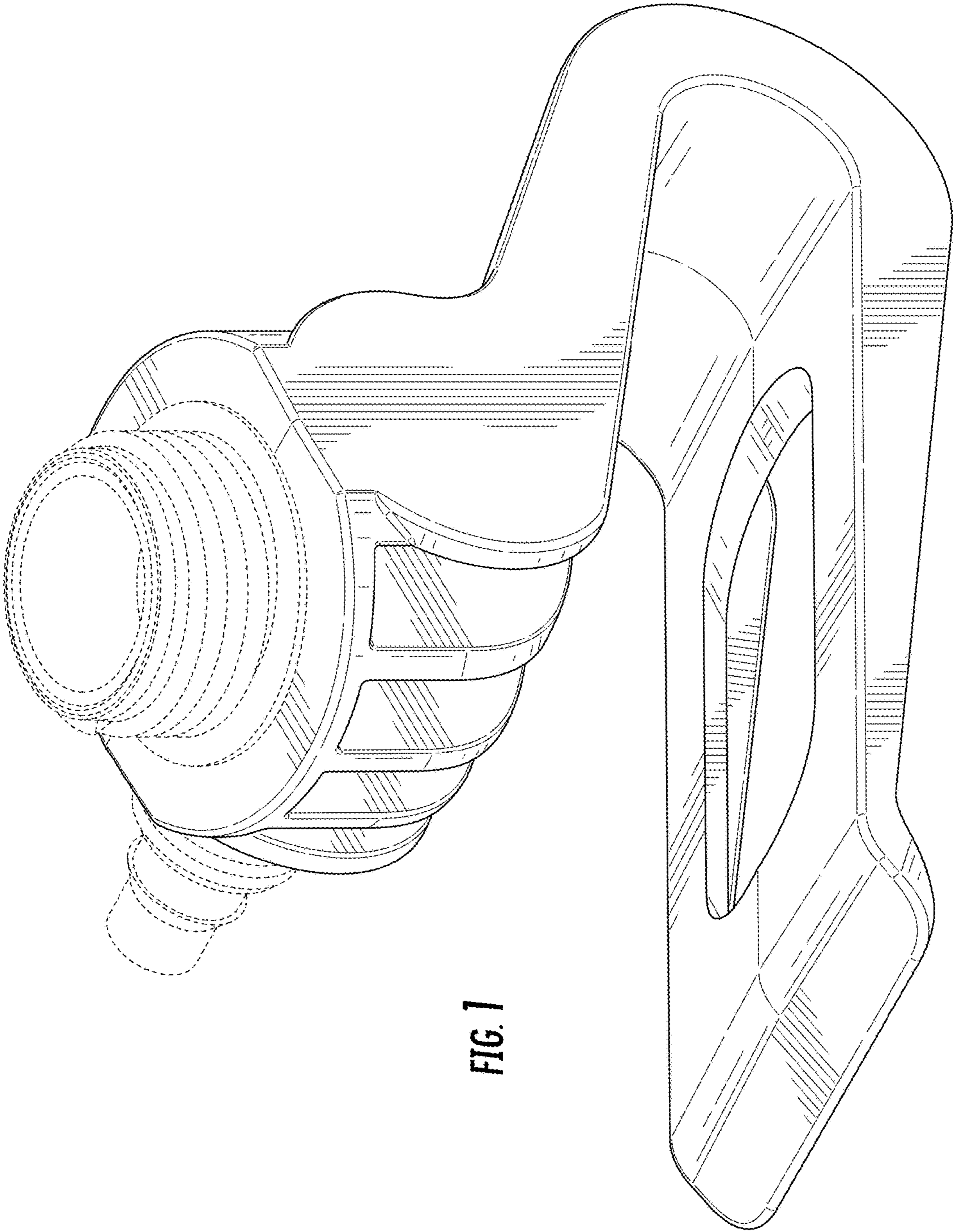
(56)

**References Cited**

U.S. PATENT DOCUMENTS

D763,665 S \* 8/2016 Hallare ..... D8/356  
D766,711 S \* 9/2016 Babbage ..... D8/394  
D769,644 S \* 10/2016 Jacobson ..... D6/553  
9,469,498 B2 \* 10/2016 Harris ..... B65H 75/366  
D772,041 S \* 11/2016 Miner ..... D8/356  
D786,656 S \* 5/2017 Miner ..... D8/356  
D787,920 S \* 5/2017 Knight ..... D8/358  
D798,131 S \* 9/2017 Agneessens ..... D8/373  
D798,700 S \* 10/2017 Byerly ..... D8/396  
D801,785 S \* 11/2017 Thuma ..... D8/358

\* cited by examiner



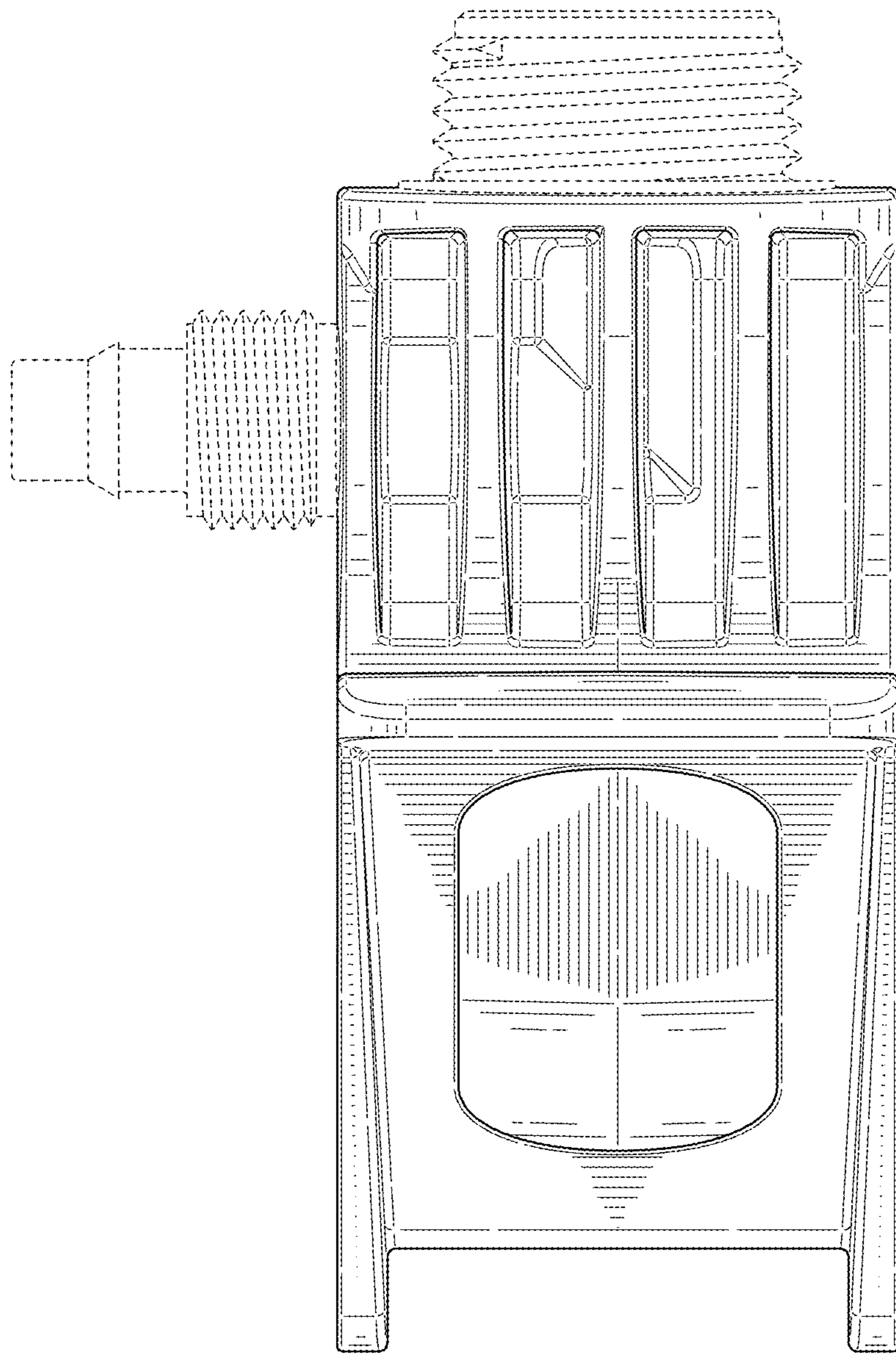
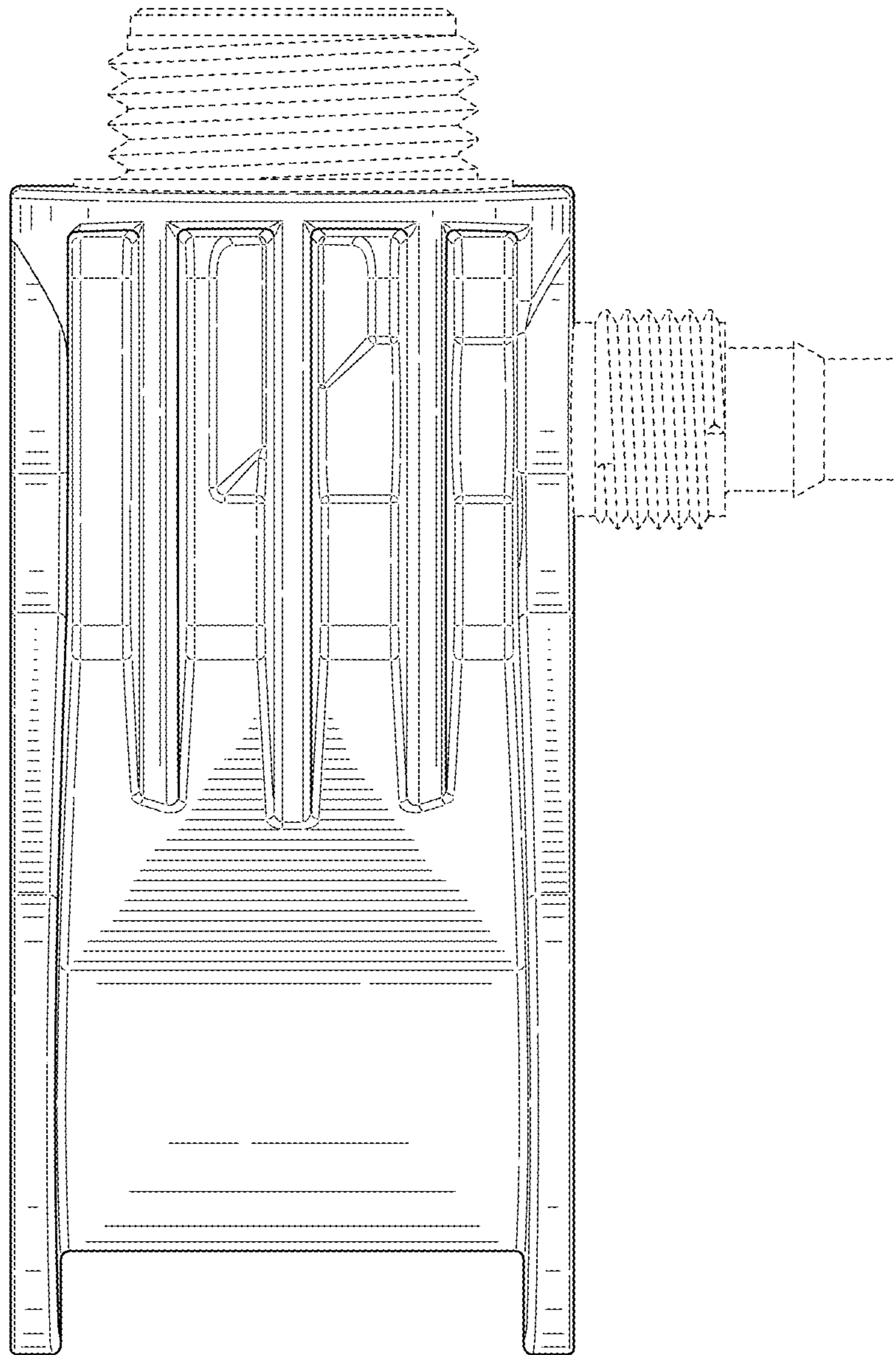


FIG. 2





**FIG. 3**

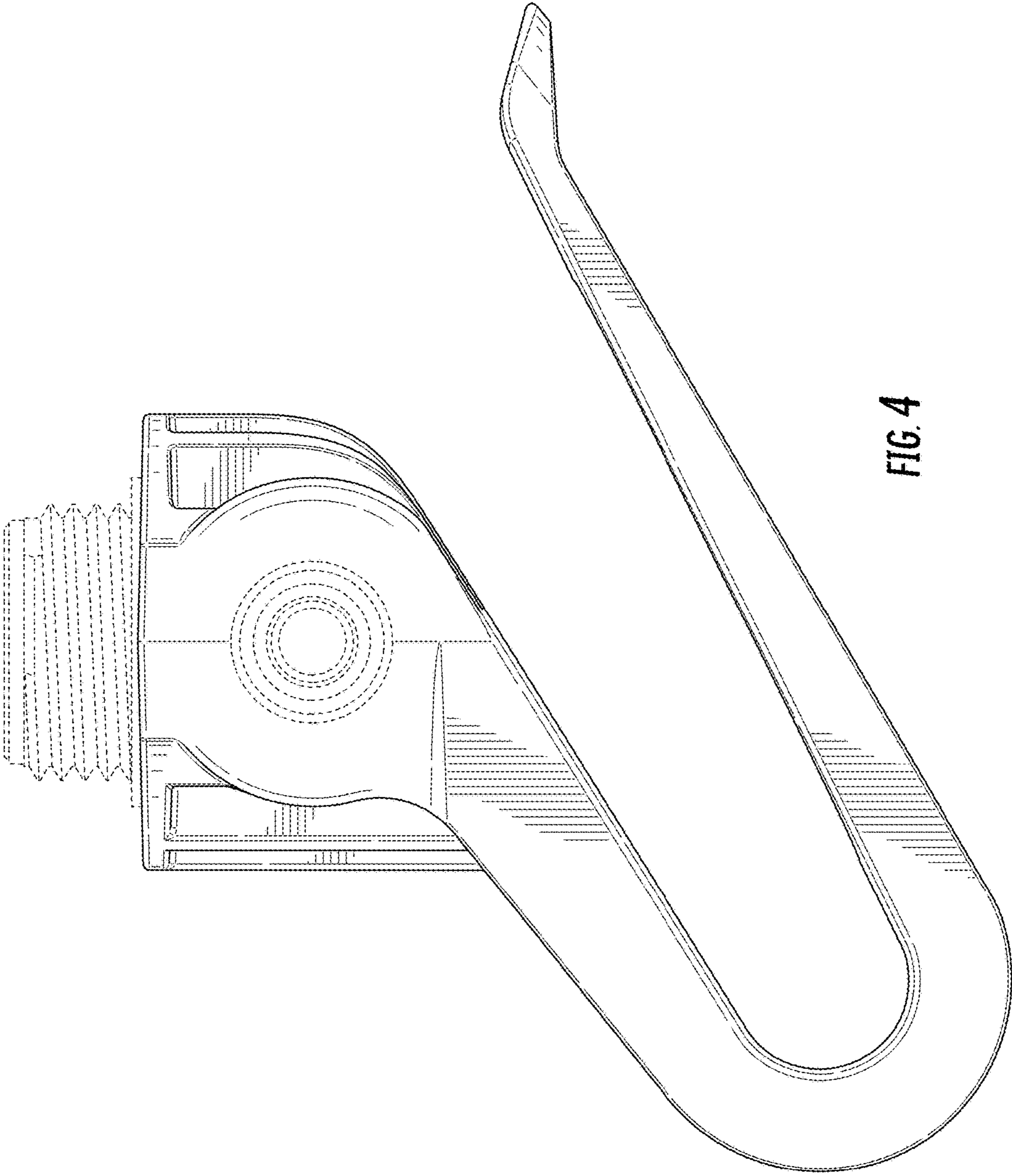
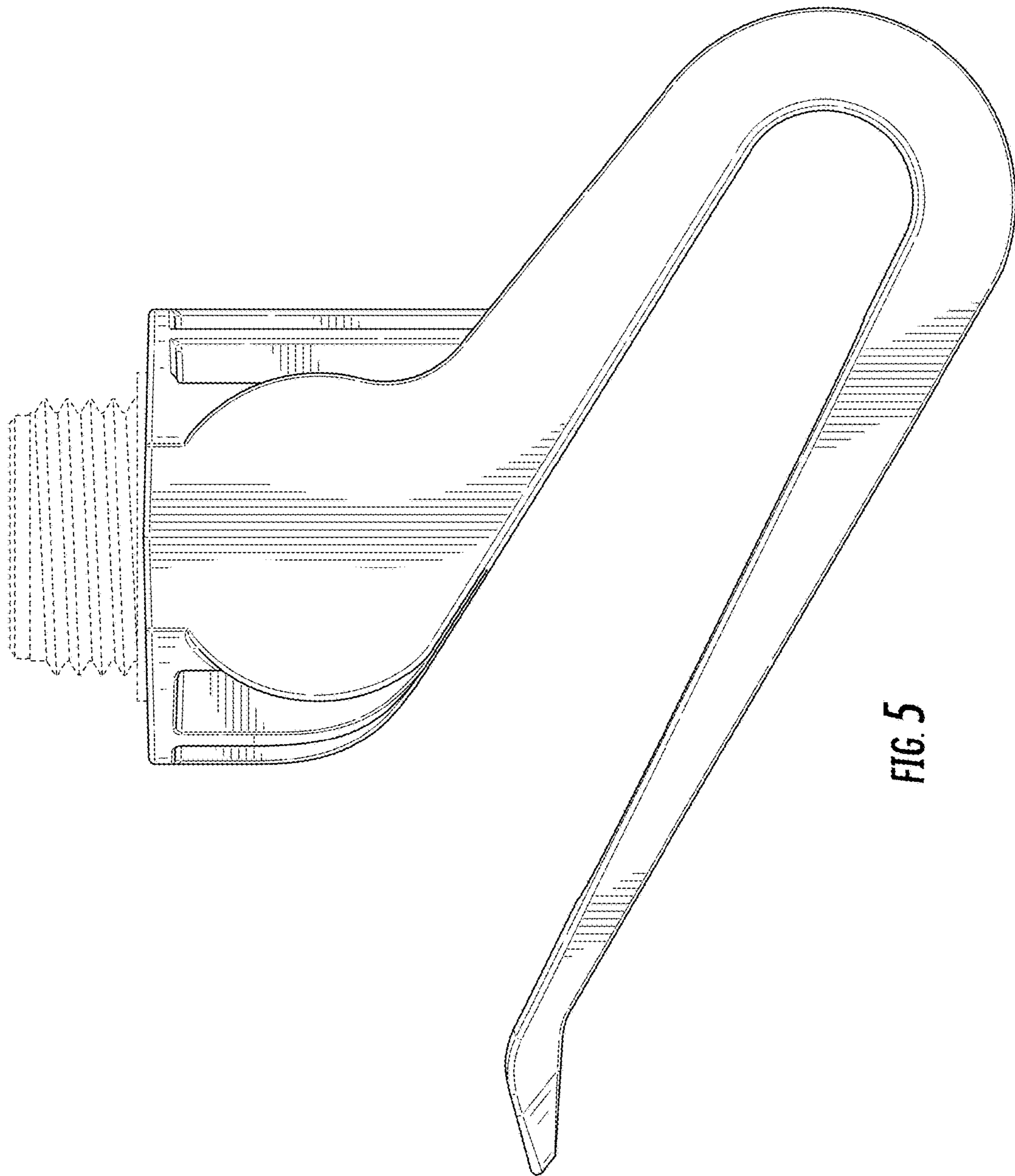


FIG. 4



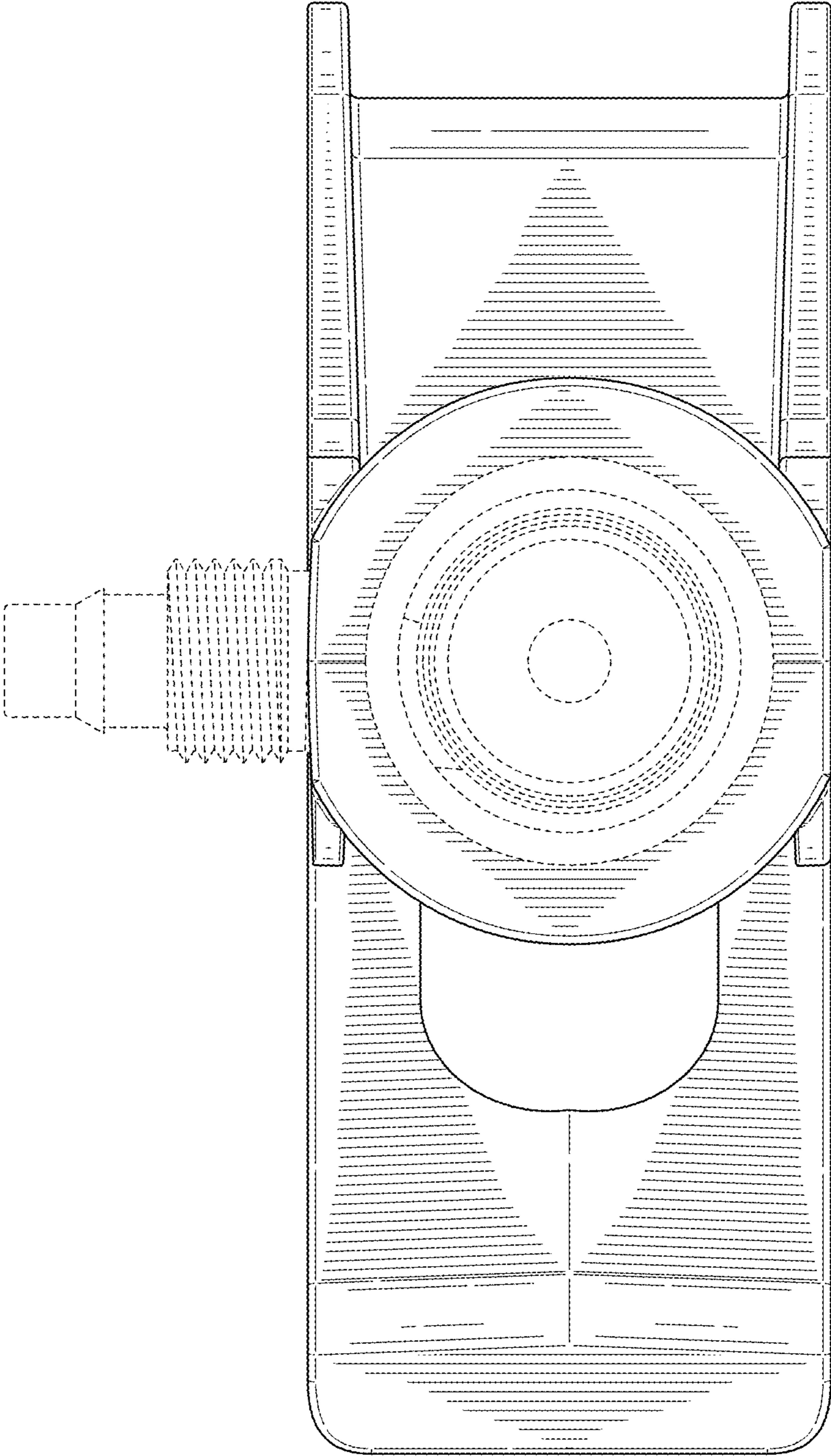


FIG. 6



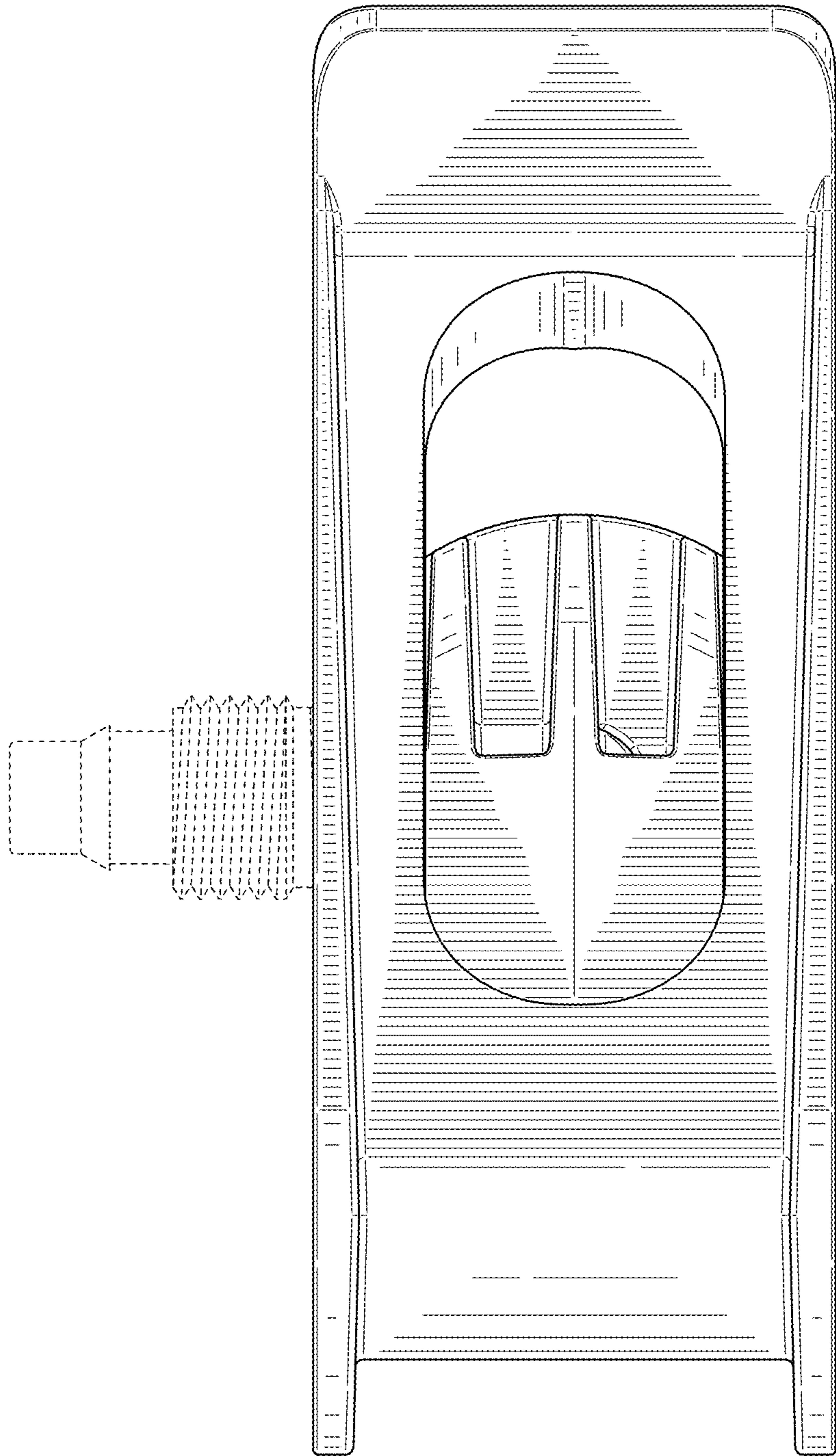


FIG. 7

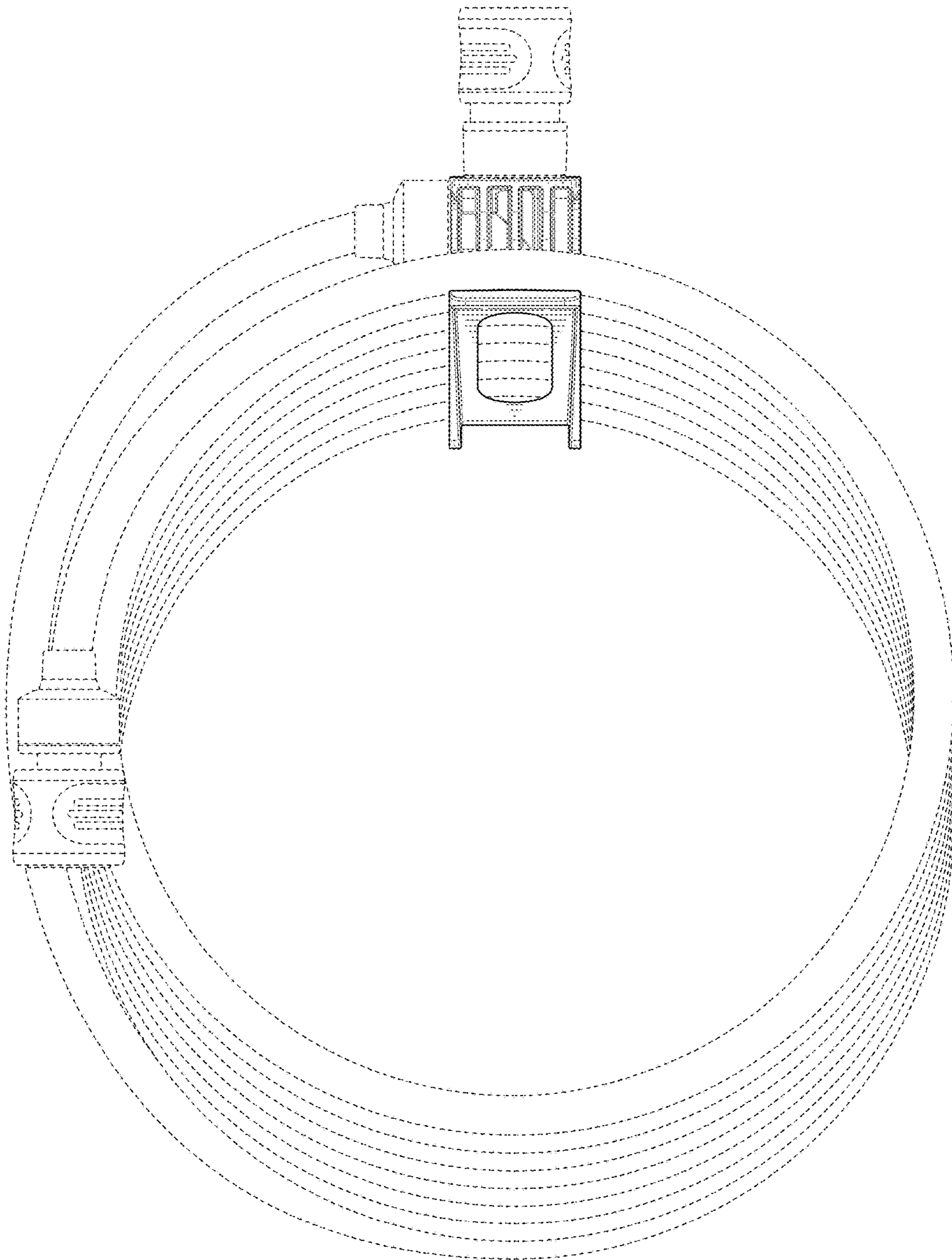


FIG. 8