

US00D815935S

(12) **United States Design Patent**
Barak

(10) **Patent No.:** **US D815,935 S**
(45) **Date of Patent:** **** Apr. 24, 2018**

(54) **MULTI-TOOL**

(71) Applicant: **Alexander Baguma Barak**, Bathurst (AU)

(72) Inventor: **Alexander Baguma Barak**, Bathurst (AU)

(**) Term: **14 Years**

(21) Appl. No.: **29/521,232**

(22) Filed: **Mar. 20, 2015**

(30) **Foreign Application Priority Data**

Oct. 29, 2014 (AU) 358793

(51) **LOC (11) Cl.** **08-05**

(52) **U.S. Cl.**
USPC **D8/105; D8/55**

(58) **Field of Classification Search**
USPC D8/16–21, 33, 40, 89, 105, 26, 85, 87,
D8/81, 98, 76, 52, 54, 55, 99, 100
CPC B25F 1/00; B25F 1/04; B65D 69/00
See application file for complete search history.

(56) **References Cited**

U.S. PATENT DOCUMENTS

D153,746 S *	5/1949	Alexander	D8/99
D360,815 S *	8/1995	Padden	D8/105
D416,581 S *	11/1999	Cheng	D19/65
D431,105 S *	9/2000	Ling	D3/228
D434,624 S *	12/2000	Padden	D8/105
6,571,940 B2 *	6/2003	Newman	A45C 11/00 206/234
D710,179 S *	8/2014	Thomas	D8/105
D765,487 S *	9/2016	Barr	D8/99

D767,363 S *	9/2016	Barr	B26B 1/044 D8/99
2002/0179463 A1 *	12/2002	Newman	A45C 11/00 206/234
2009/0199941 A1 *	8/2009	Toner	A45C 1/06 150/143
2012/0317819 A1 *	12/2012	Pelton	B25F 1/006 30/144

* cited by examiner

Primary Examiner — Janice Hallmark
(74) *Attorney, Agent, or Firm* — Cionca IP Law P.C.;
Marin Cionca

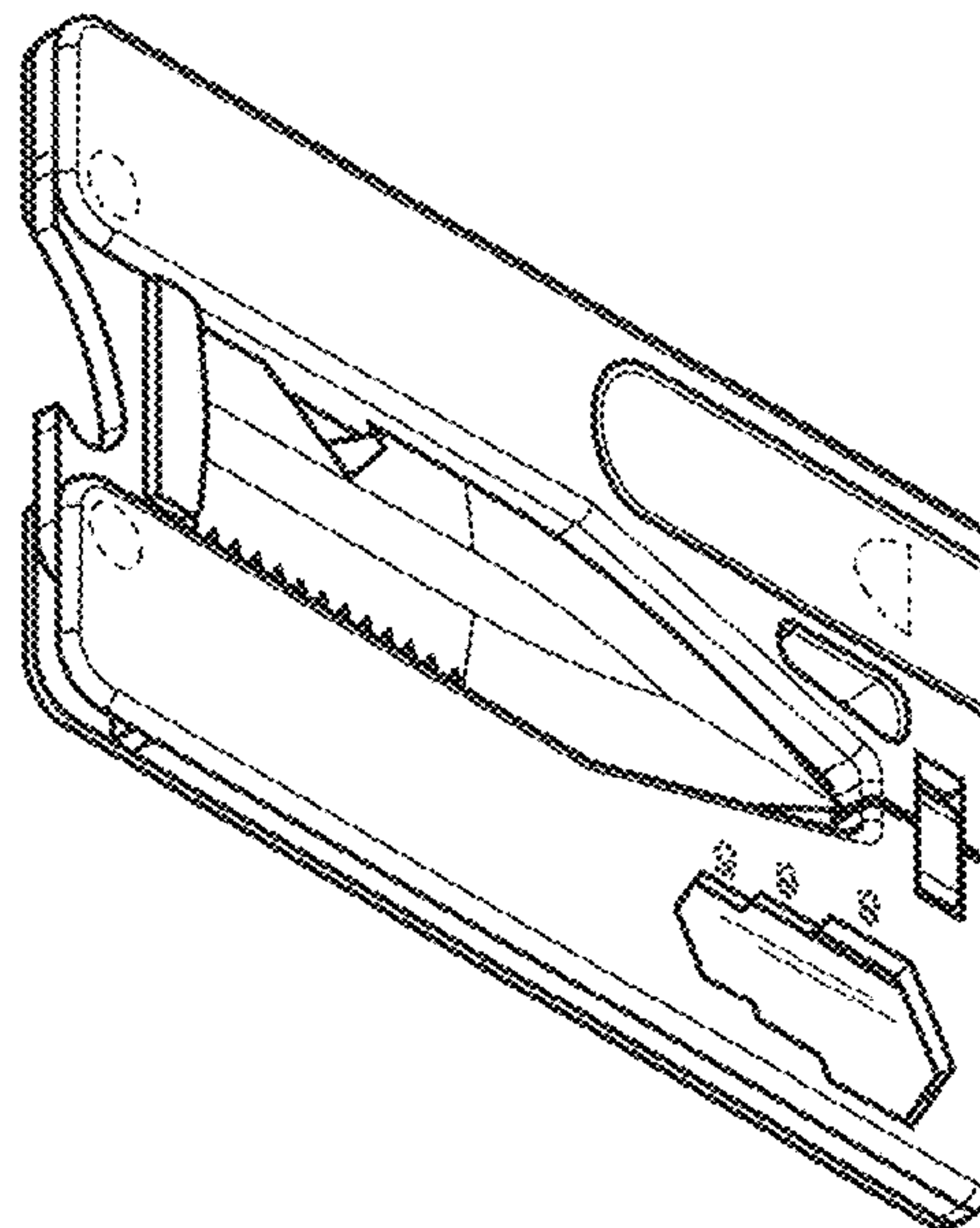
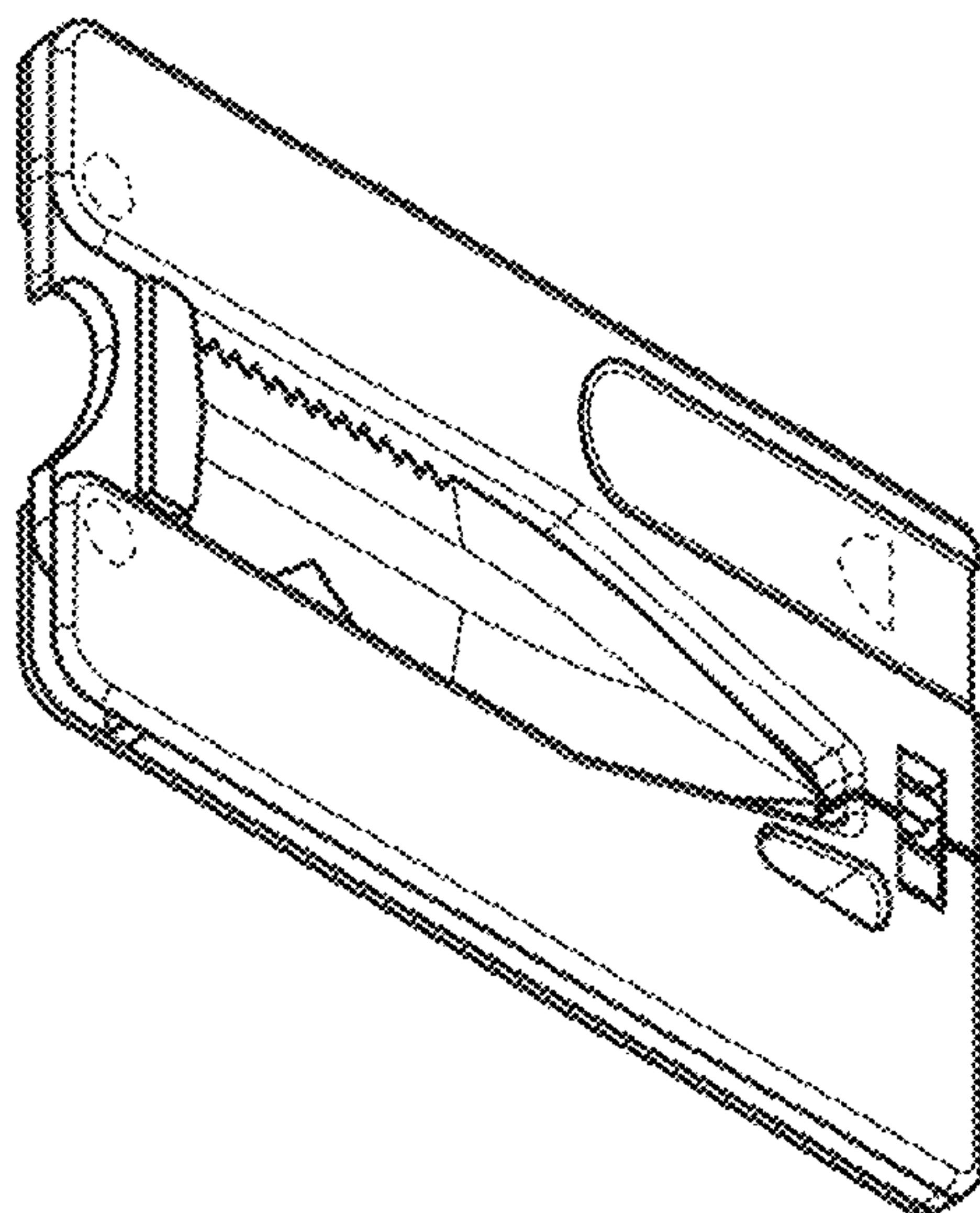
(57) **CLAIM**

The ornamental design for a multi-tool, substantially as shown and described.

DESCRIPTION

FIG. 1 is a top perspective view of a multi-tool, showing my new design in a first folded configuration;
FIG. 2 is a bottom perspective view thereof;
FIG. 3 is a top plan view thereof;
FIG. 4 is a left side view thereof and the right side view is a mirror image;
FIG. 5 is a rear elevation view thereof;
FIG. 6 is a bottom plan view thereof;
FIG. 7 is a front elevation view thereof;
FIG. 8 is a bottom perspective view of the multi-tool of FIG. 1 shown in a second unfolded configuration;
FIG. 9 is a bottom plan view thereof;
FIG. 10 is a left side elevation view thereof; and,
FIG. 11 is a top plan view thereof.

1 Claim, 4 Drawing Sheets



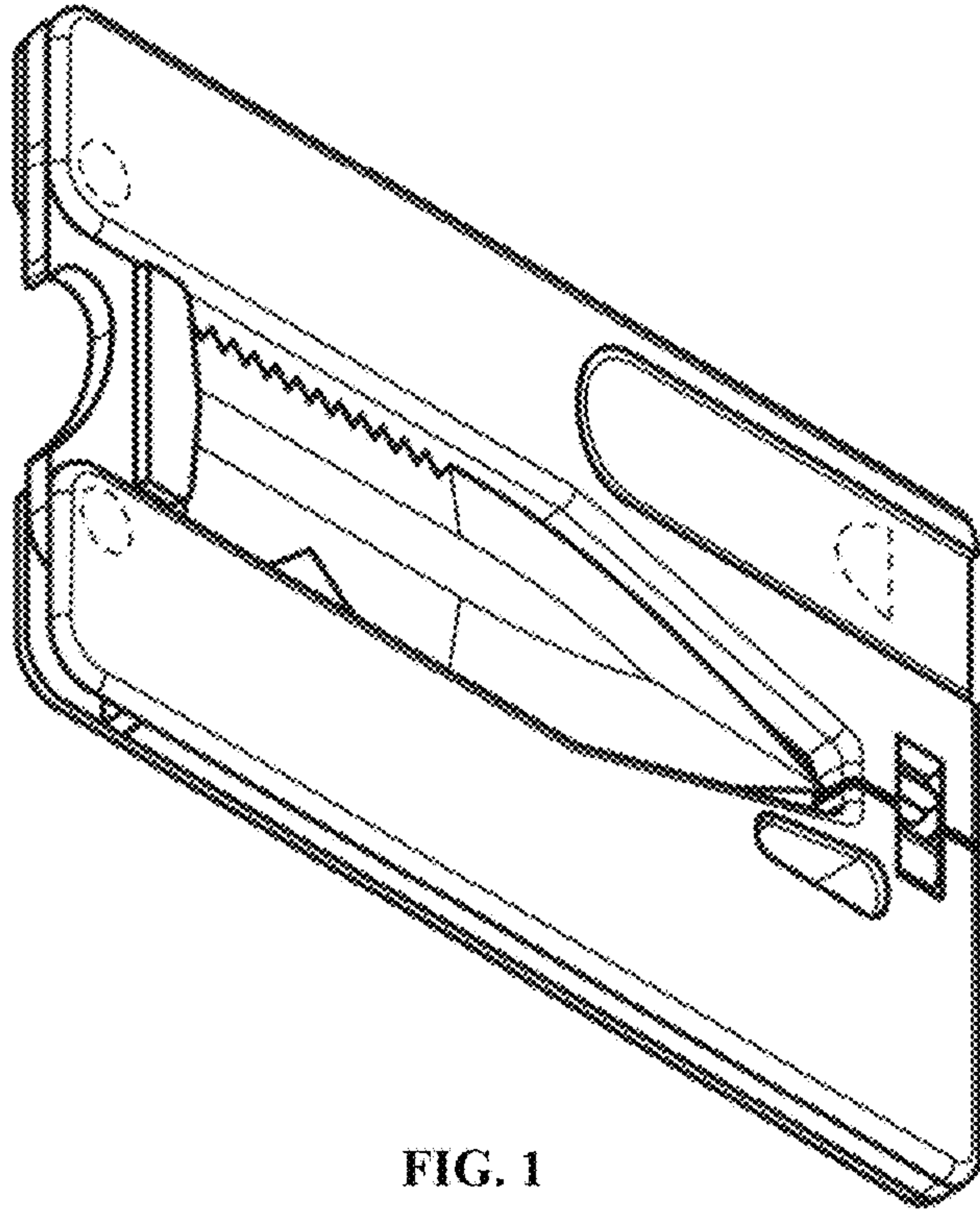


FIG. 1

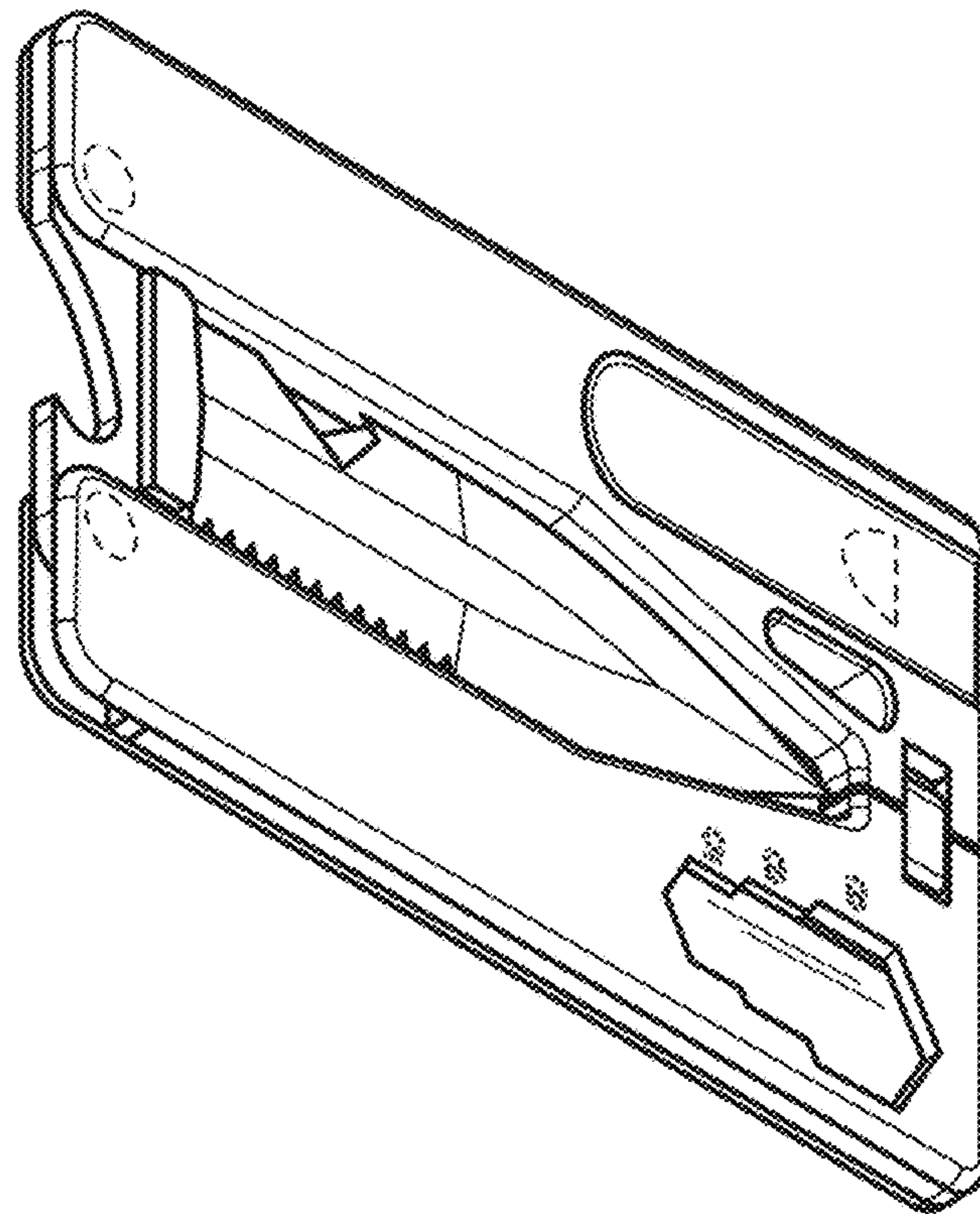


FIG. 2

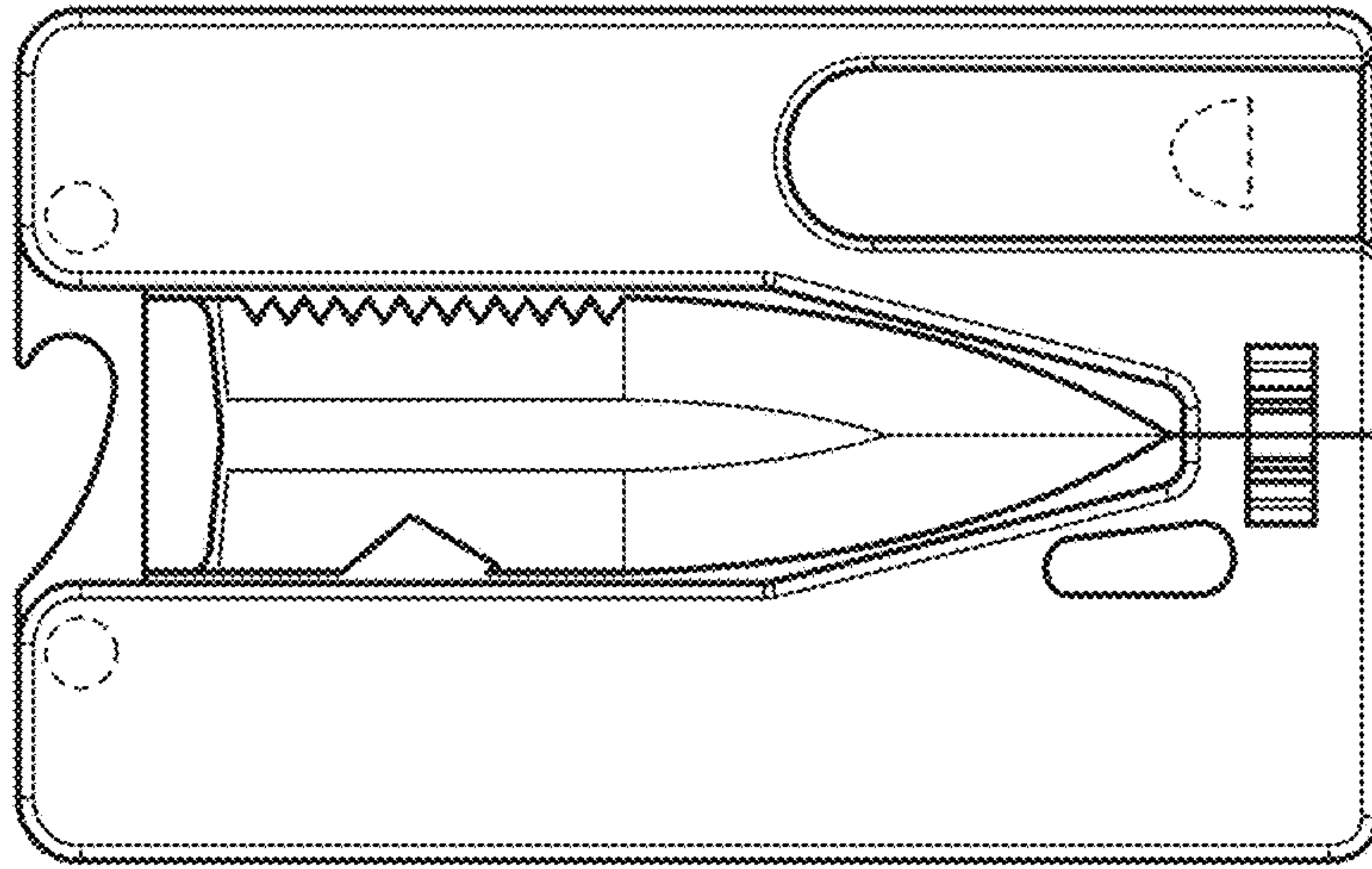


FIG. 3

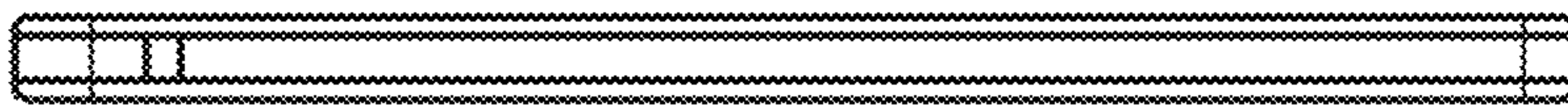


FIG. 4

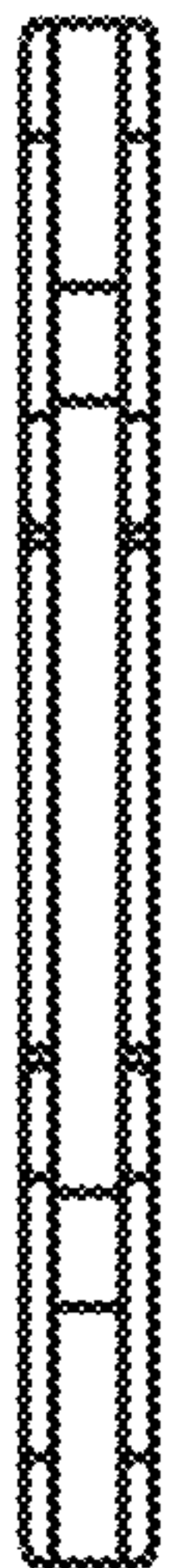


FIG. 5

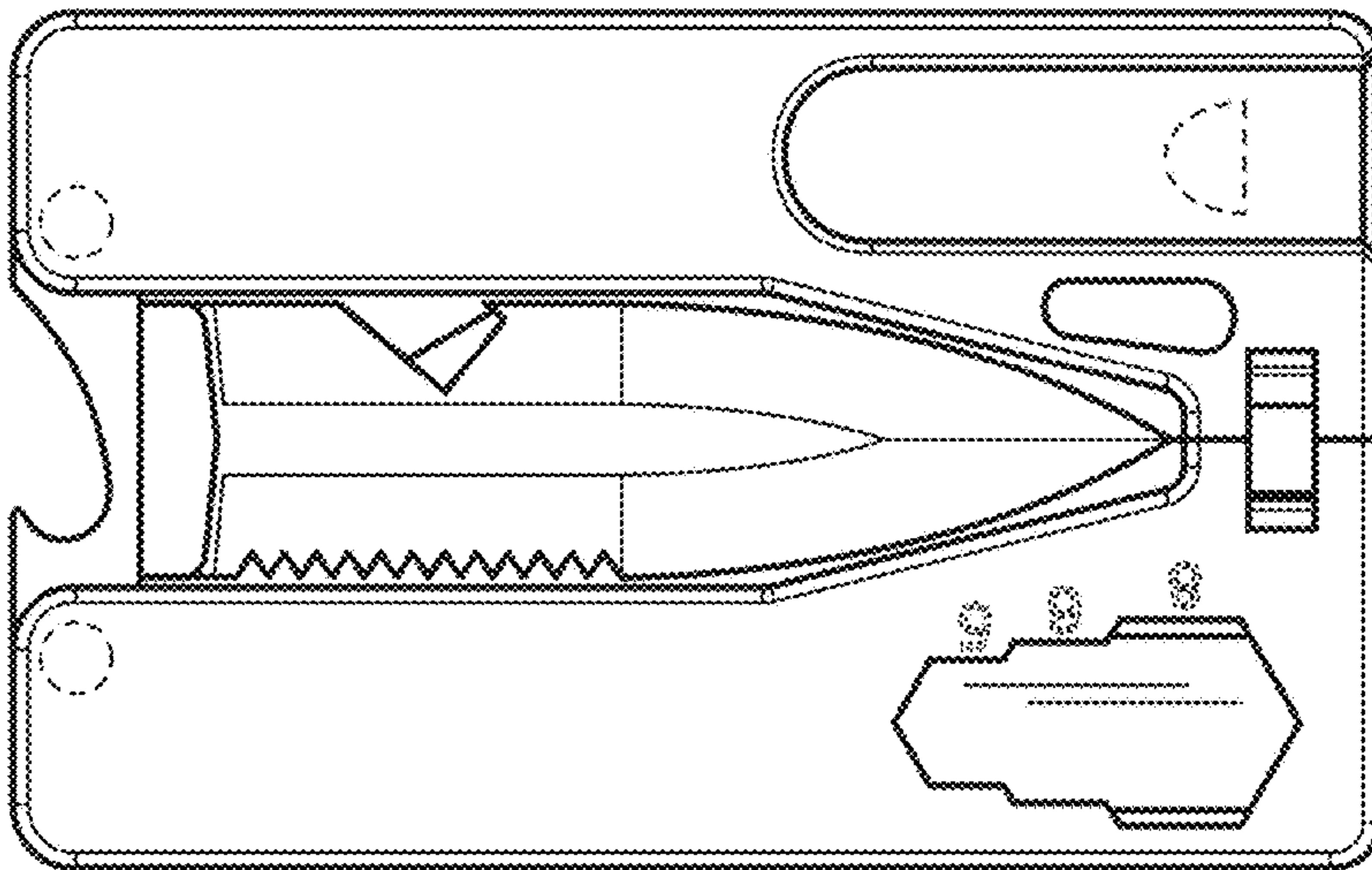


FIG. 6



FIG. 7

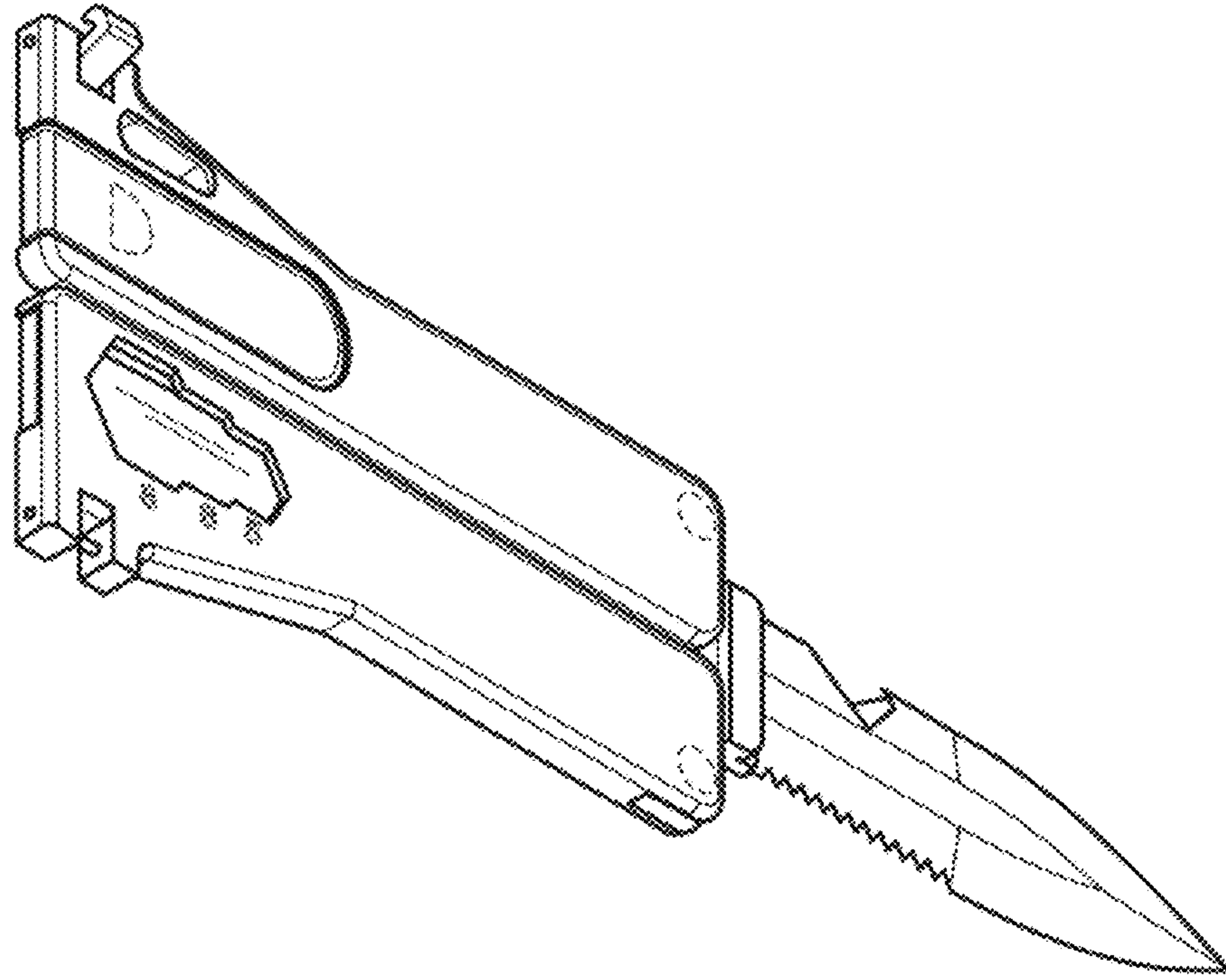


FIG. 8

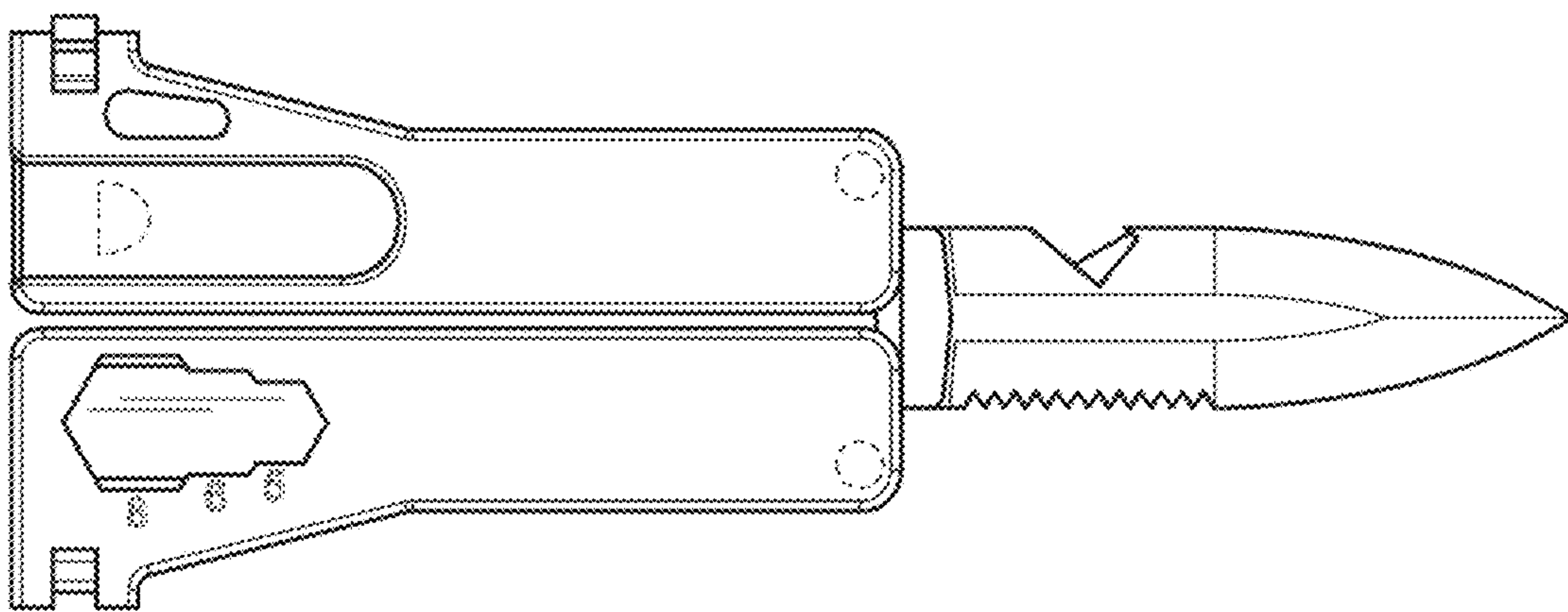


FIG. 9

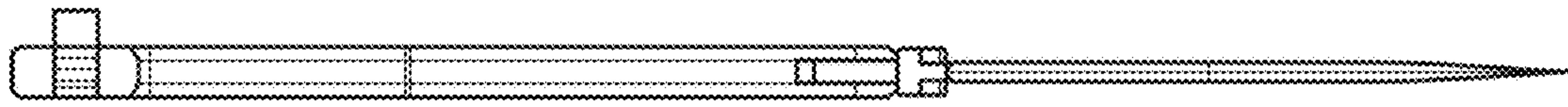


FIG. 10

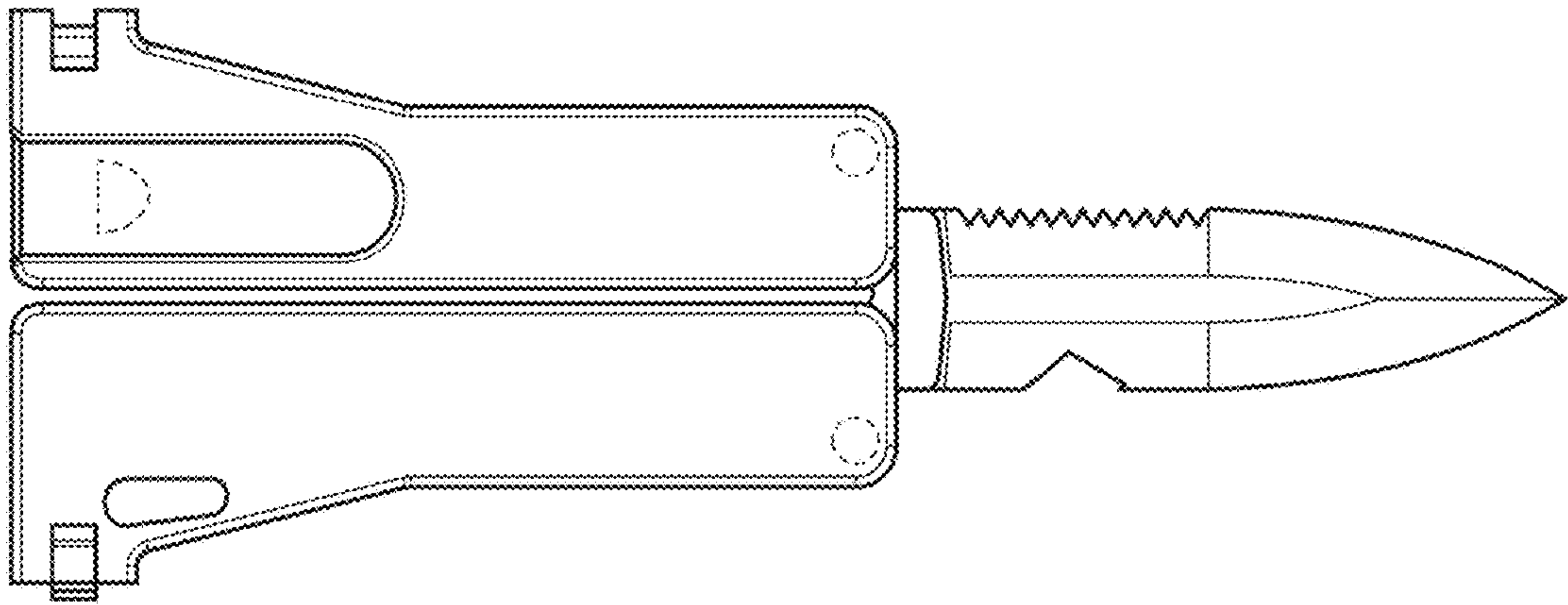


FIG. 11