



US00D815931S

(12) **United States Design Patent** (10) **Patent No.:** **US D815,931 S**
Skruzak (45) **Date of Patent:** **** Apr. 24, 2018**

(54) **REAR WINDOW SETTING BLOCK**
(71) Applicant: **Dell Skruzak**, Lakewood, CO (US)
(72) Inventor: **Dell Skruzak**, Lakewood, CO (US)
(**) Term: **15 Years**
(21) Appl. No.: **29/577,708**
(22) Filed: **Sep. 15, 2016**
(51) **LOC (11) Cl.** **08-05**
(52) **U.S. Cl.**
USPC **D8/14**
(58) **Field of Classification Search**
USPC D25/35, 38.1, 41.1, 47.1, 48.2, 48.3,
D25/48.4, 55, 119-137, 164, 199; D8/14,
D8/349, 353, 354, 355, 363, 373, 376,
D8/380, 381, 382, 403, 499; D6/324,
D6/327, 648.1, 653.11, 654.11, 702, 712,
D6/718.12, 512, 554, 556; D7/637-641
CPC ... E06B 1/00; E06B 1/006; E06B 1/02; E06B
1/04; E06B 1/045; E06B 1/06; E06B
1/12; E06B 1/16; E06B 1/26; E06B 1/30;
E06B 1/32; E06B 1/325; E06B 1/34;
E06B 1/342; E06B 1/345; E06B 1/347;
E06B 1/36; E06B 1/363; E06B 1/366;
E06B 1/38; E06B 1/40; E06B 1/52; E06B
1/522; E06B 1/524; E06B 1/526; E06B
1/528; E06B 1/56; E06B 1/60; E06B
1/6092; E06B 1/62; E06B 1/70; E06B
1/702; E06B 1/705; E06B 1/707; E04B
2/00; E04B 2/74; E04B 2/76; E04B
2/761; E04B 2/762; E04B 2/763; E04B
2/764; E04B 2/765; E04B 2/7854; E04B
2/7863; E04B 2/7872; E04B 2/7881;
E04B 2/789; E04B 2001/2436; E04B
2001/2439; E04B 2001/2442; E04B
2001/2445; E04B 2001/2448; E04B
2001/2451; E04B 2001/2454; E04B
2001/2457; E04B 2001/246; E04B
2001/2463; E04F 2019/0404; E04F
2019/0413; E04F 2019/0422; E04F
2019/0454; B25B 27/00; B25B 27/0092
See application file for complete search history.

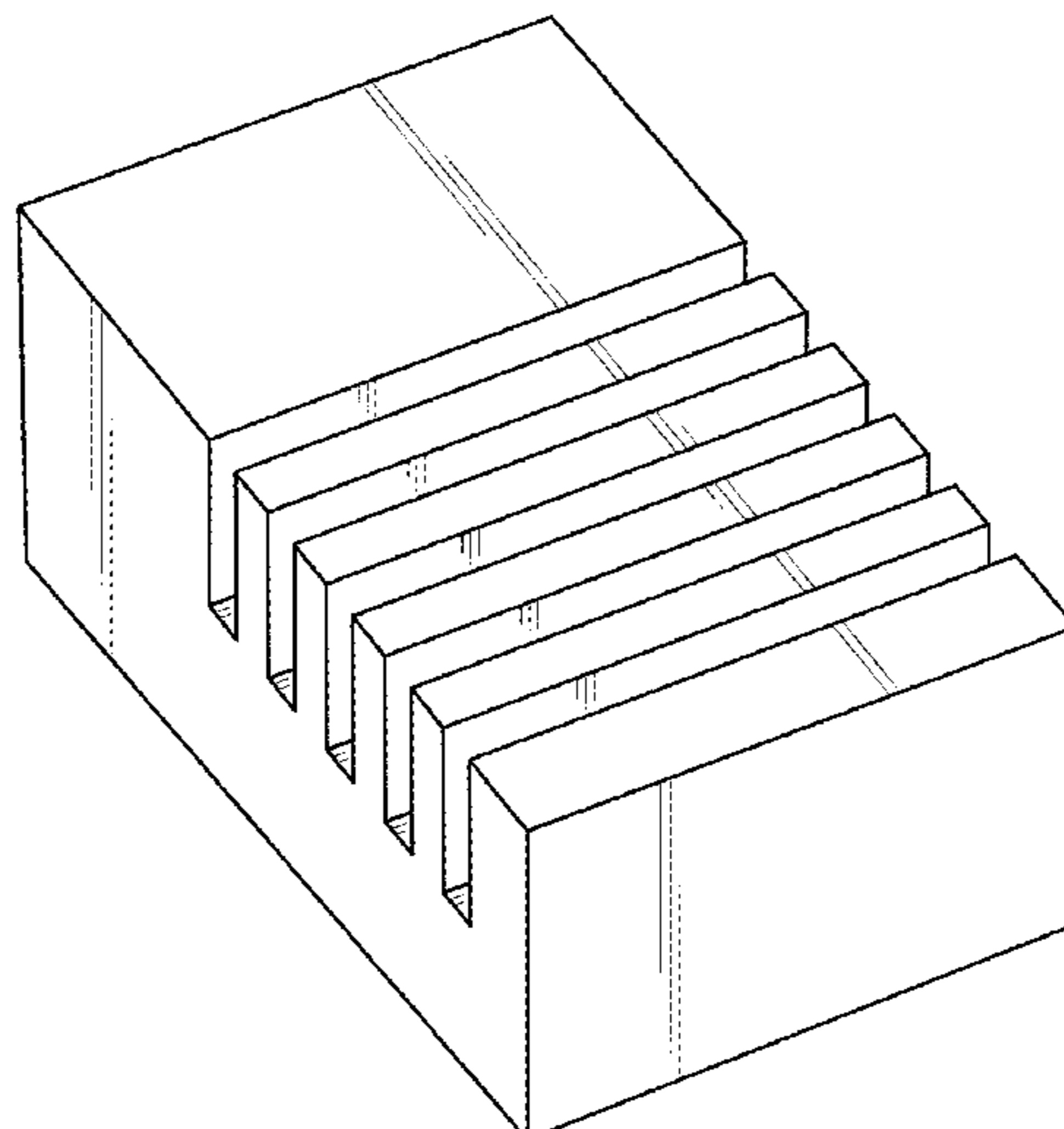
(56) **References Cited**
U.S. PATENT DOCUMENTS
D277,935 S * 3/1985 Beckrot D8/349
D283,445 S * 4/1986 Allard D25/119
4,742,655 A * 5/1988 Kovasna E04G 21/125
D8/354
D321,636 S * 11/1991 Ciciliot D8/14
D343,350 S * 1/1994 Gold D8/354
D386,388 S * 11/1997 Antonucci D8/354
D511,581 S * 11/2005 Holztrager D25/123
D527,957 S * 9/2006 Ranieri D7/637
D532,120 S * 11/2006 Holztrager D25/123
(Continued)

OTHER PUBLICATIONS
GM Windshield Glass Setting Block, available for sale since May 14, 2012, online. Site visited Feb. 16, 2018. Internet URL: <"https://www.clipsandfasteners.com/GM_Windshield_Glass_Setting_Block_With_Adhesive_p/a21195.htm" (Year: 2012).*
Primary Examiner — Cynthia Ramirez
Assistant Examiner — L. Martinez-Rivera
(74) *Attorney, Agent, or Firm* — Donald J. Ersler

(57) **CLAIM**
The ornamental design for a rear window setting block, as shown and described.

DESCRIPTION
FIG. 1 is a top perspective view of a rear window setting block incorporating our new design;
FIG. 2 is a top plan view thereof;
FIG. 3 is a left side view thereof;
FIG. 4 is a bottom plan view thereof;
FIG. 5 is a right side view thereof;
FIG. 6 is a front view thereof; and,
FIG. 7 is a rear view thereof.

1 Claim, 6 Drawing Sheets



(56)

References Cited

U.S. PATENT DOCUMENTS

D533,283 S * 12/2006 Holztrager D25/123
D551,781 S * 9/2007 Abdullah D25/123
7,434,693 B2 * 10/2008 Mosko A47G 21/14
D7/637
D649,265 S * 11/2011 Brabeck D25/125
D733,928 S * 7/2015 Smith D25/48.2
D742,032 S * 10/2015 Smith D25/48.2
D773,902 S * 12/2016 Plant D7/637
D800,513 S * 10/2017 Liu D7/637

* cited by examiner

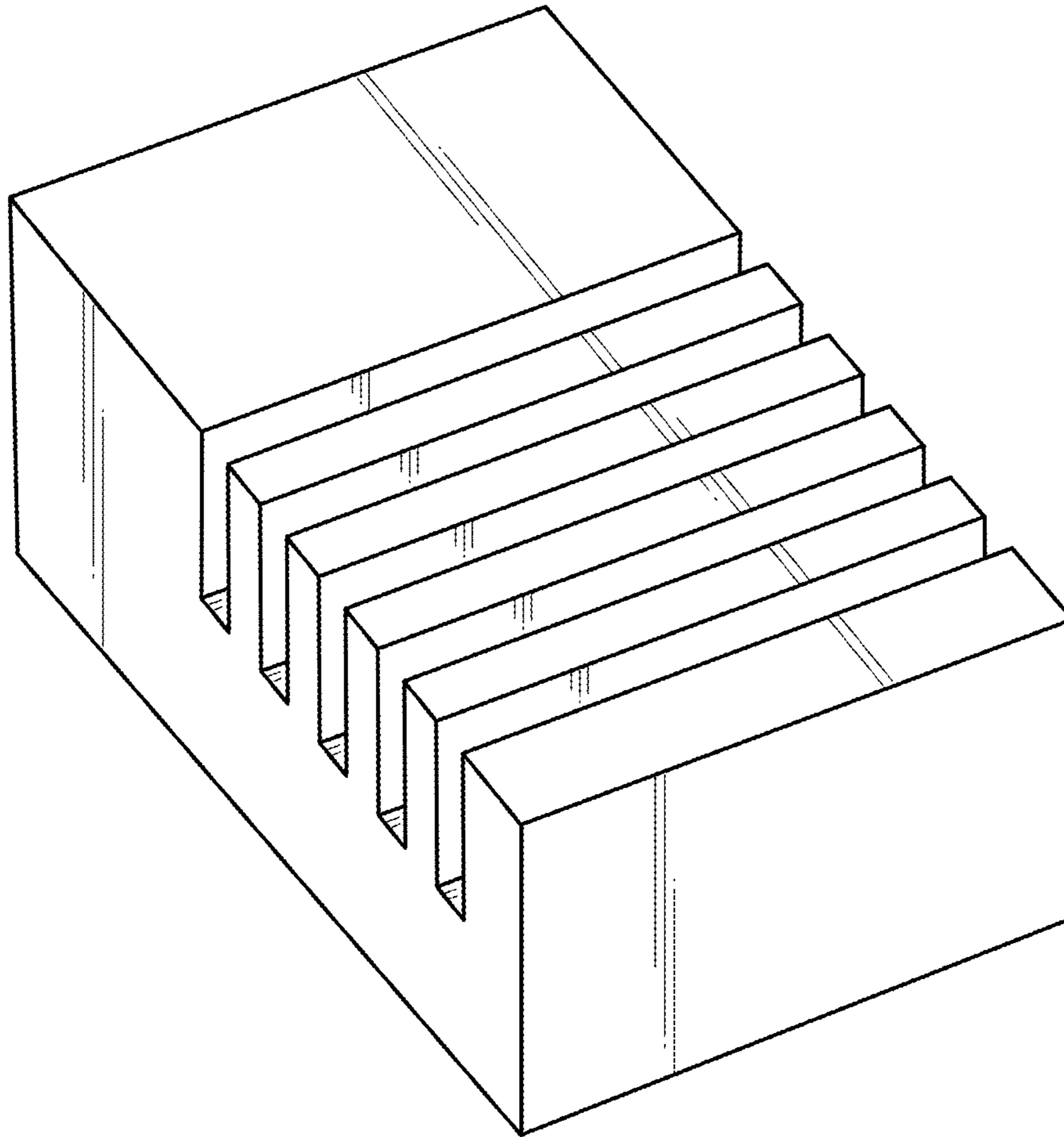


FIG. 1

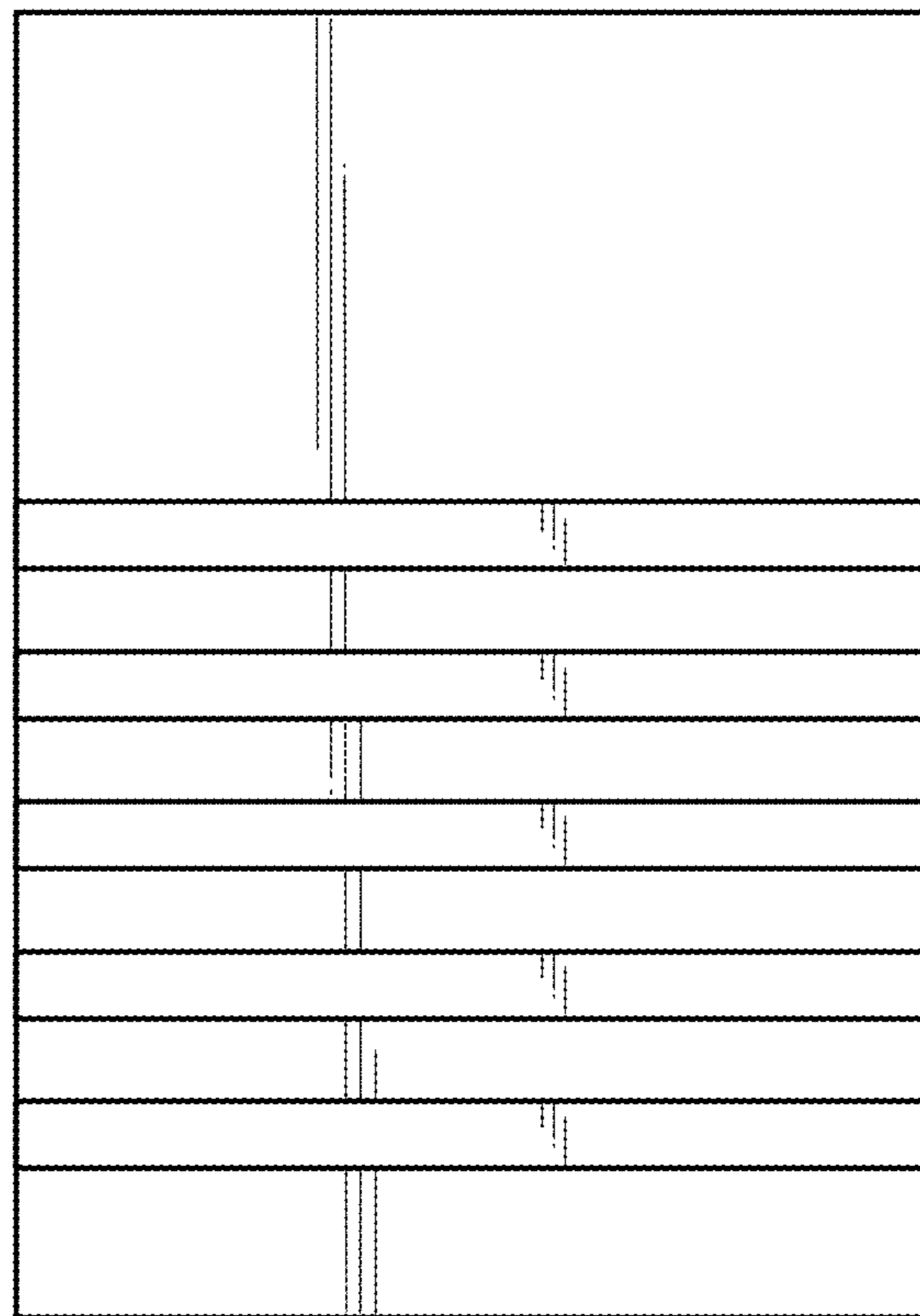


FIG. 2

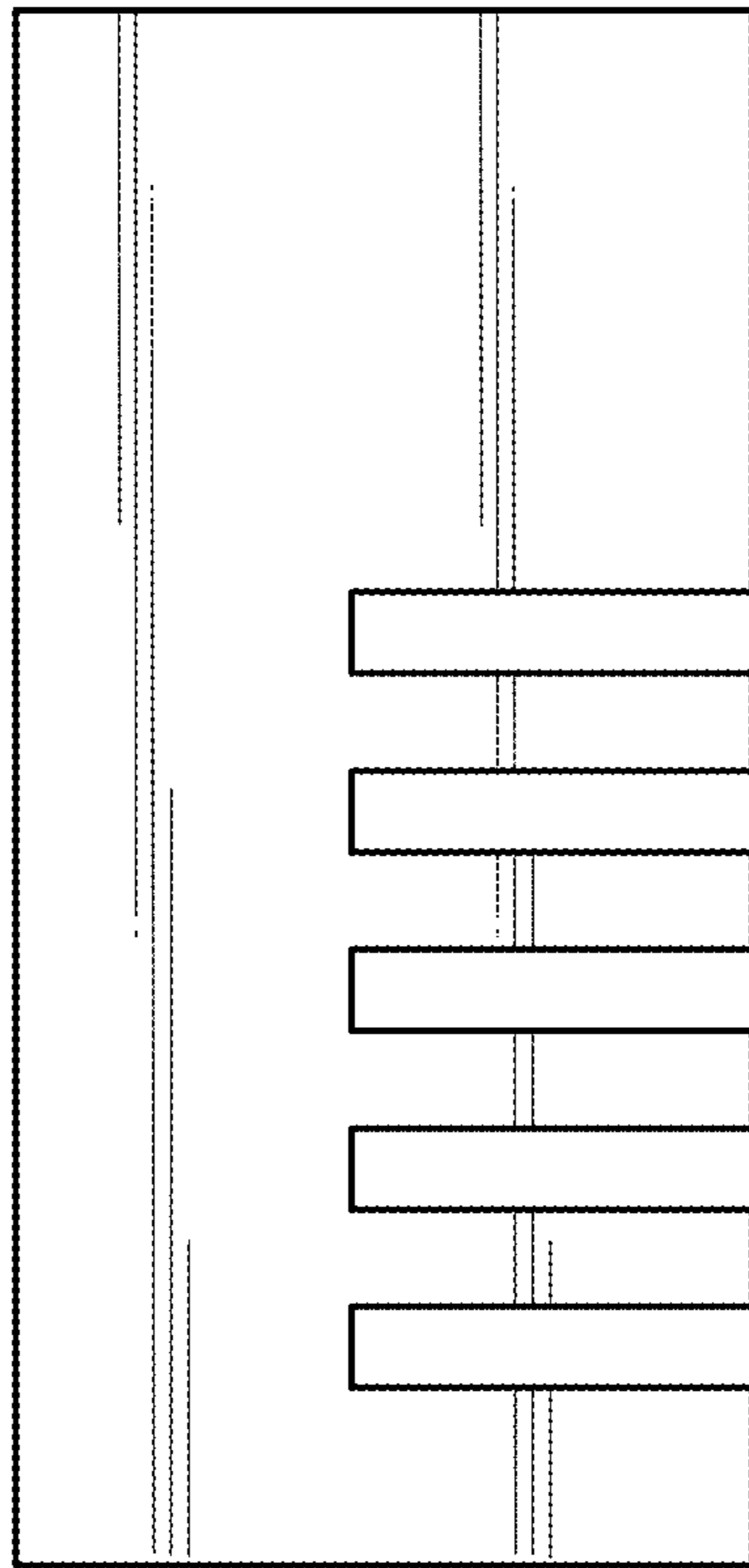


FIG. 3

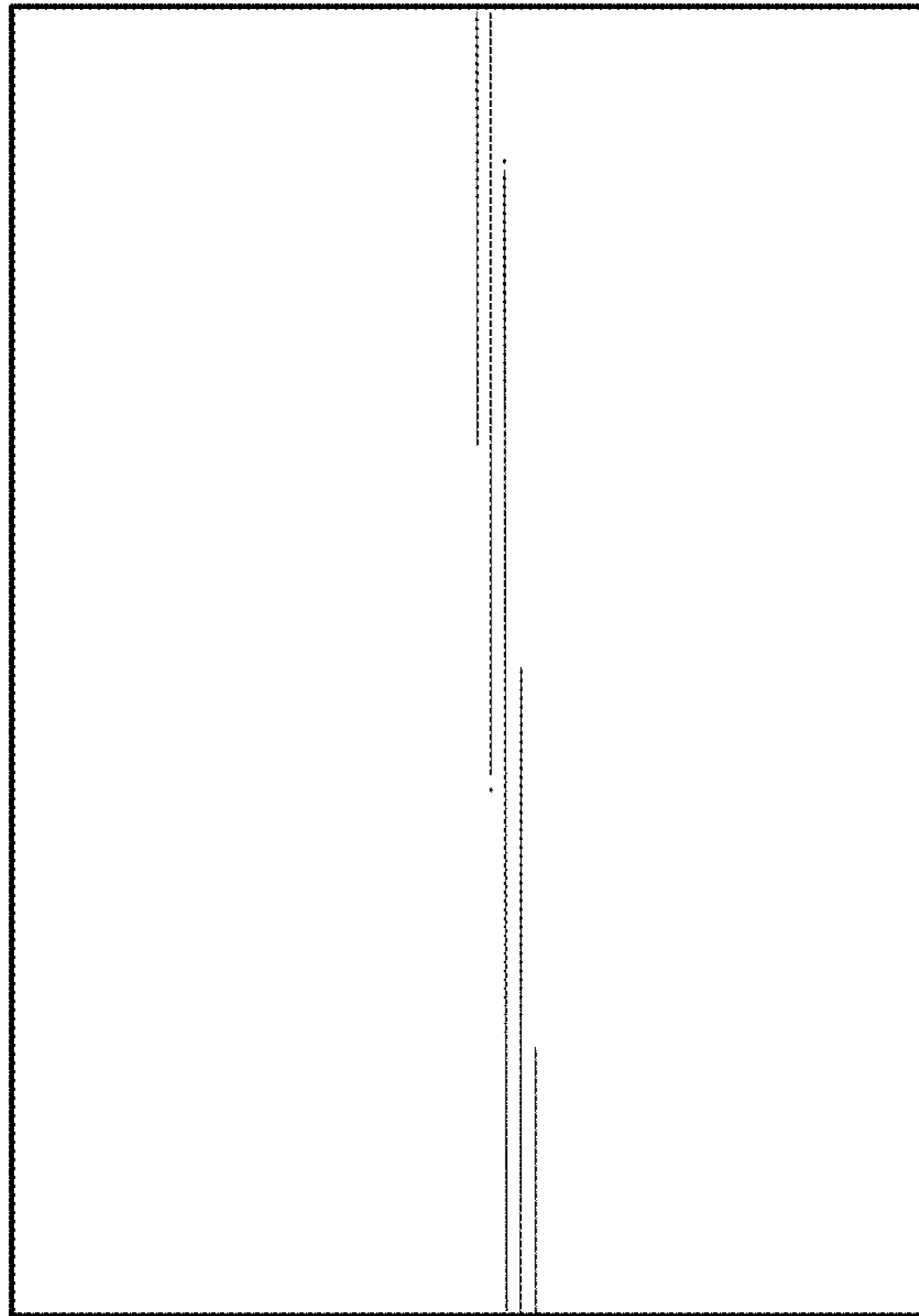


FIG. 4

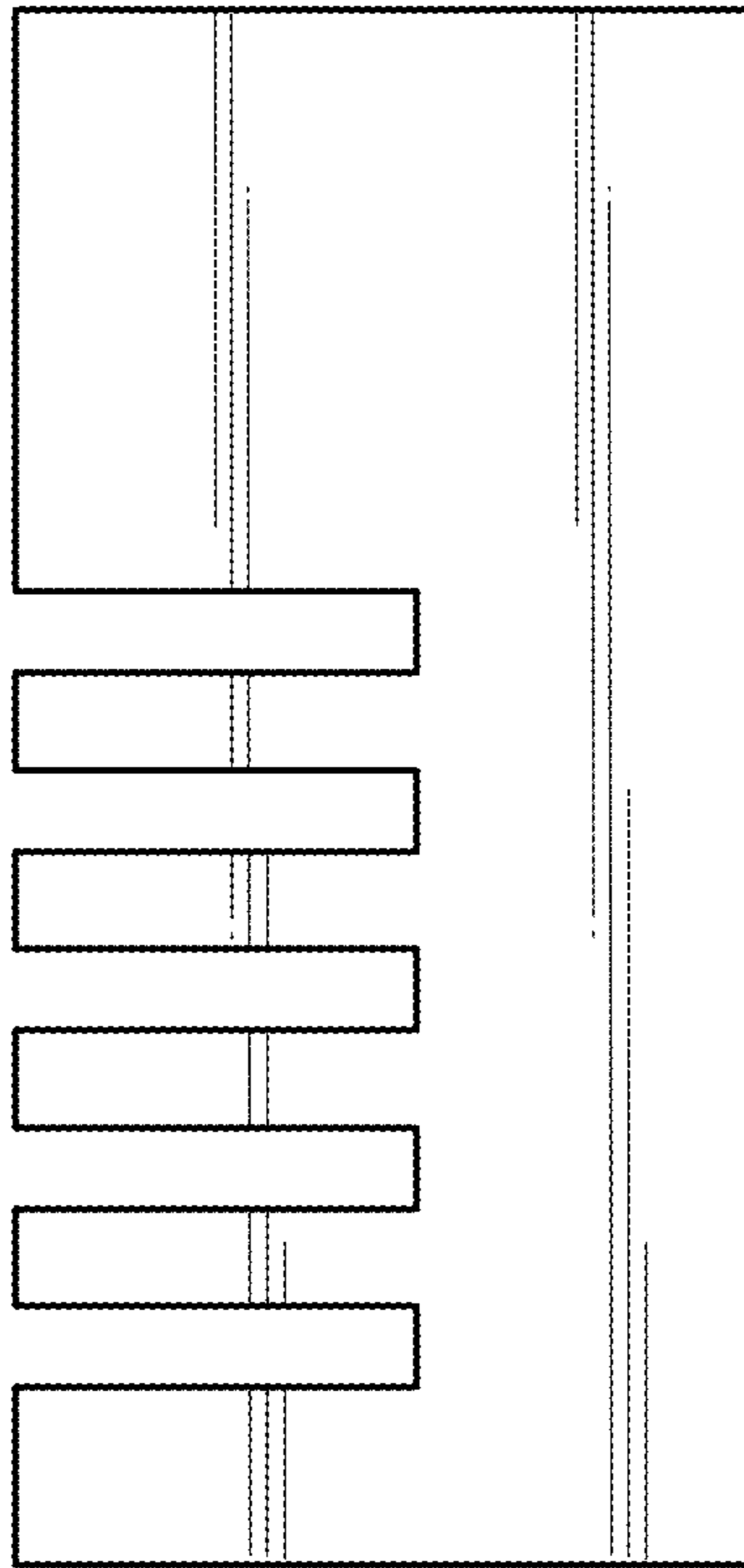


FIG. 5

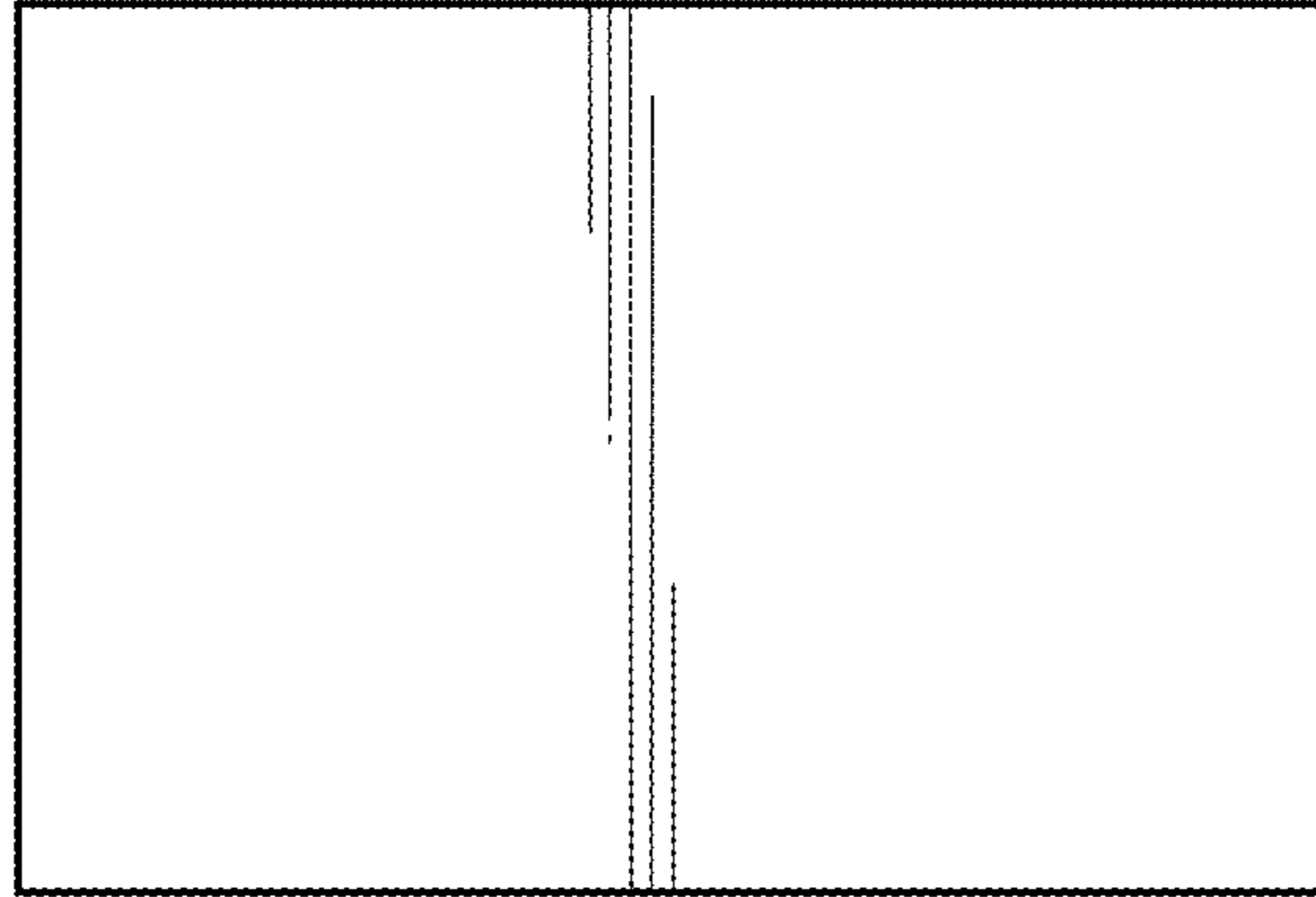


FIG. 6

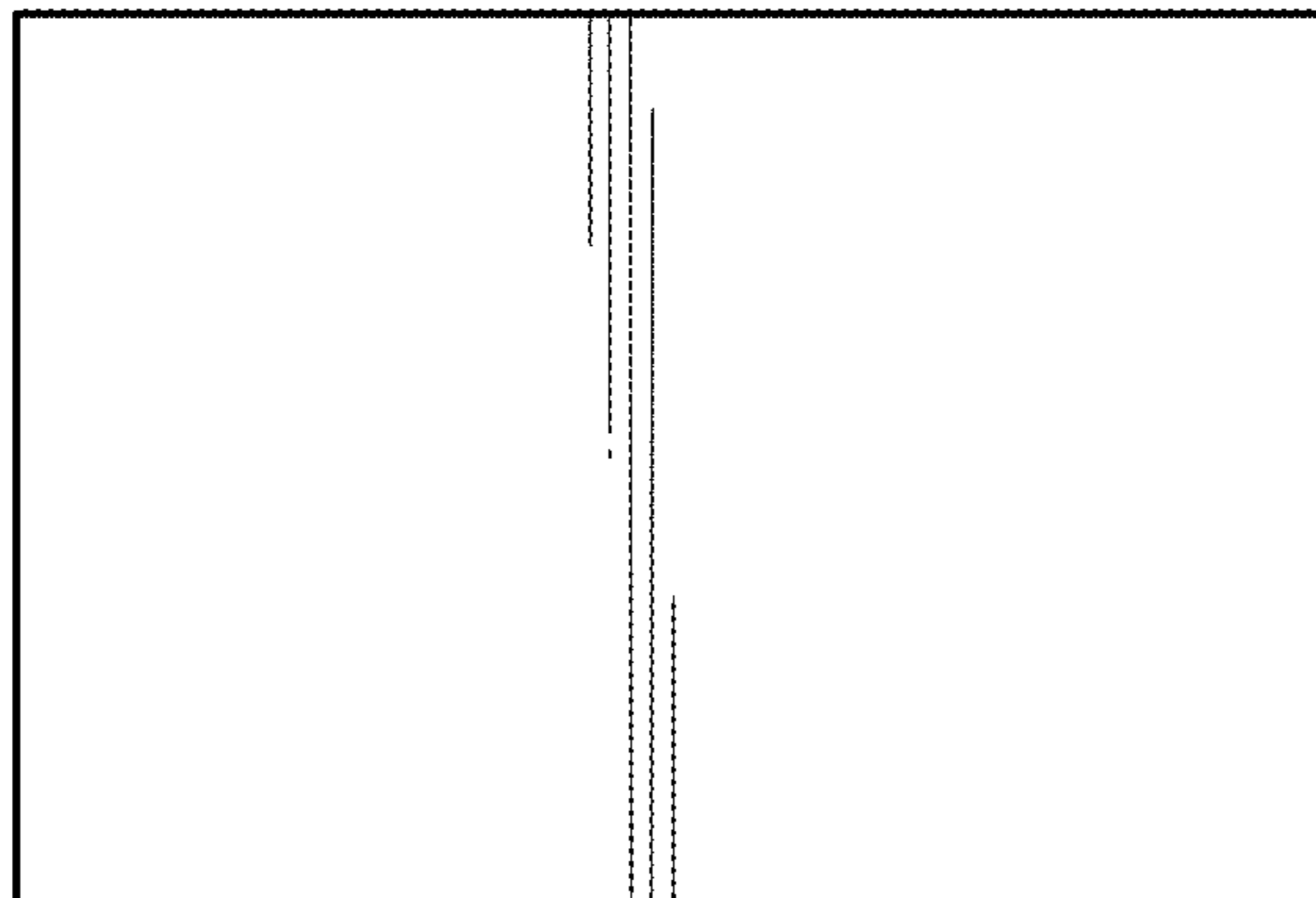


FIG. 7