



US00D815930S

(12) **United States Design Patent**  
**Atanasov**

(10) **Patent No.: US D815,930 S**

(45) **Date of Patent: \*\* \*Apr. 24, 2018**

(54) **LOCK PICK**

(71) Applicant: **LuckyLocks Ltd.**, Sofia (BG)

(72) Inventor: **Daniel Atanasov**, Sofia (BG)

(73) Assignee: **LuckyLocks Ltd.**, Sofia (BG)

(\*) Notice: This patent is subject to a terminal disclaimer.

(\*\*) Term: **15 Years**

(21) Appl. No.: **29/548,190**

(22) Filed: **Dec. 10, 2015**

(51) **LOC (11) Cl.** ..... **08-05**

(52) **U.S. Cl.**  
USPC ..... **D8/14**

(58) **Field of Classification Search**  
USPC ..... D8/14, 82-87, 105, 347; 70/394,  
70/397-398, 401, 409, 493-494  
CPC ..... E05B 19/20; E05B 19/205  
See application file for complete search history.

(56) **References Cited**

U.S. PATENT DOCUMENTS

2,087,423	A *	7/1937	Abrams	.....	E05B 19/20 33/540
3,452,562	A *	7/1969	Loveless	.....	E05B 19/20 70/394
4,006,613	A *	2/1977	Zion	.....	E05B 19/20 7/168
D246,112	S *	10/1977	Biggs	.....	D24/156
4,094,176	A *	6/1978	Hughes	.....	E05B 19/20 70/394
D274,126	S *	6/1984	Flies	.....	D8/347
D329,891	S *	9/1992	Sievers	.....	D23/262
D335,803	S *	5/1993	Ohsumi	.....	D8/14
5,653,712	A *	8/1997	Stern	.....	A61B 17/164 408/153

D407,000	S *	3/1999	Jacoff	.....	D8/107
D407,289	S *	3/1999	Swenson, Jr.	.....	D8/82
5,956,984	A *	9/1999	Hughes	.....	E05B 19/20 70/394
D417,827	S *	12/1999	Gillman	.....	D8/14
D424,396	S *	5/2000	Jacoff	.....	D8/107
6,082,159	A *	7/2000	Larsen	.....	E05B 19/20 33/540
6,138,486	A *	10/2000	Hughes	.....	E05B 19/20 70/394
6,148,652	A *	11/2000	Magini	.....	E05B 19/20 33/540
D593,716	S *	6/2009	Strauss	.....	D30/156
D716,943	S *	11/2014	Bender	.....	D24/133
D717,626	S *	11/2014	Dickrede	.....	D8/70
D744,645	S *	12/2015	Smith	.....	D24/133
2003/0195391	A1 *	10/2003	Shin	.....	E05B 19/20 600/200
2010/0101382	A1 *	4/2010	Chen	.....	B25B 23/0035 81/489

(Continued)

*Primary Examiner* — Philip S Hyder

*Assistant Examiner* — Roselynn Cody

(74) *Attorney, Agent, or Firm* — Andrew Malarz, Esq.

(57) **CLAIM**

The ornamental design for a lock pick, as shown and described.

**DESCRIPTION**

FIG. 1 is a front elevational view of a lock pick showing a new design.

FIG. 2 is a top plan view thereof;

FIG. 3 is a rear elevational view thereof;

FIG. 4 is a bottom plan view thereof;

FIG. 5 is a left side elevational view thereof;

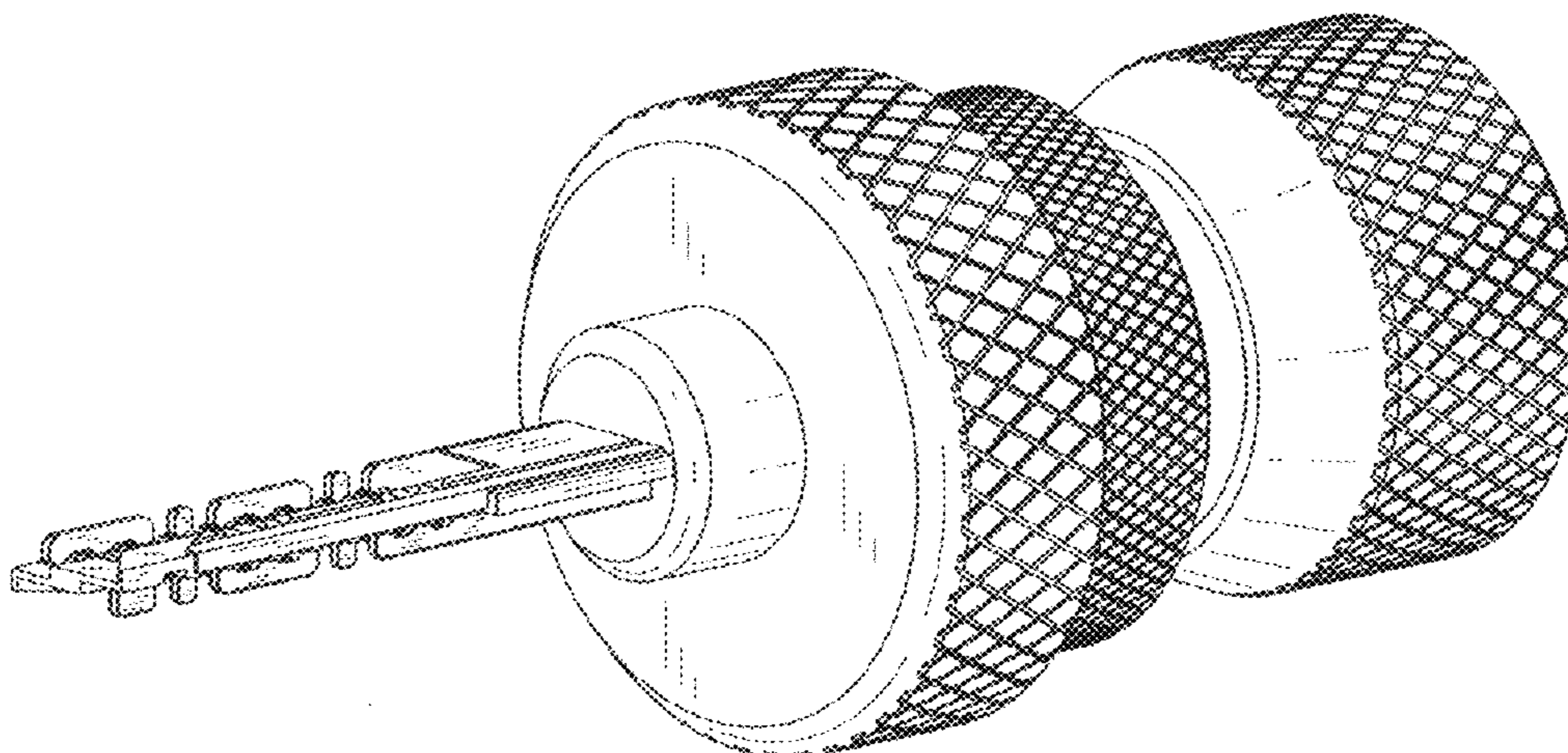
FIG. 6 is a right side elevational view thereof;

FIG. 7 is a perspective view thereof;

FIG. 8 is an additional perspective view thereof; and,

FIG. 9 is another perspective view of the new design thereof.

**1 Claim, 6 Drawing Sheets**



(56)

**References Cited**

U.S. PATENT DOCUMENTS

2016/0010360 A1\* 1/2016 Prater ..... E05B 19/20  
70/394

\* cited by examiner

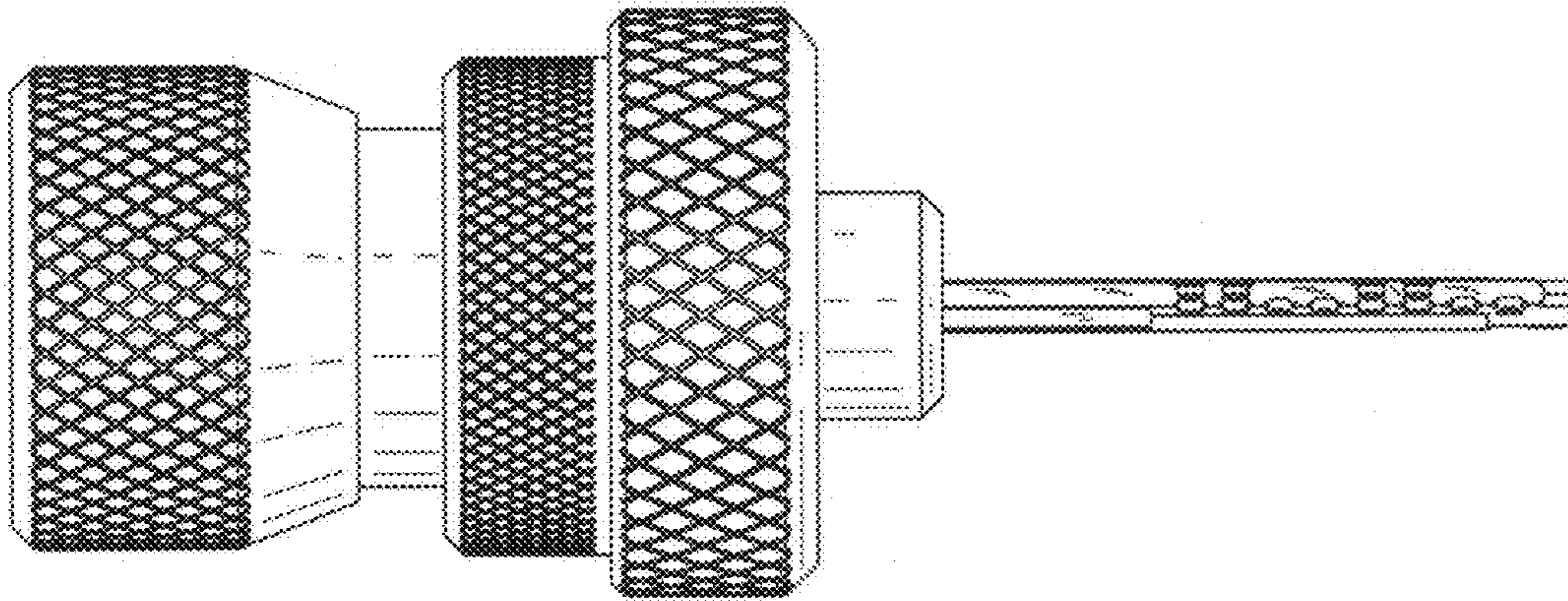


Fig.1

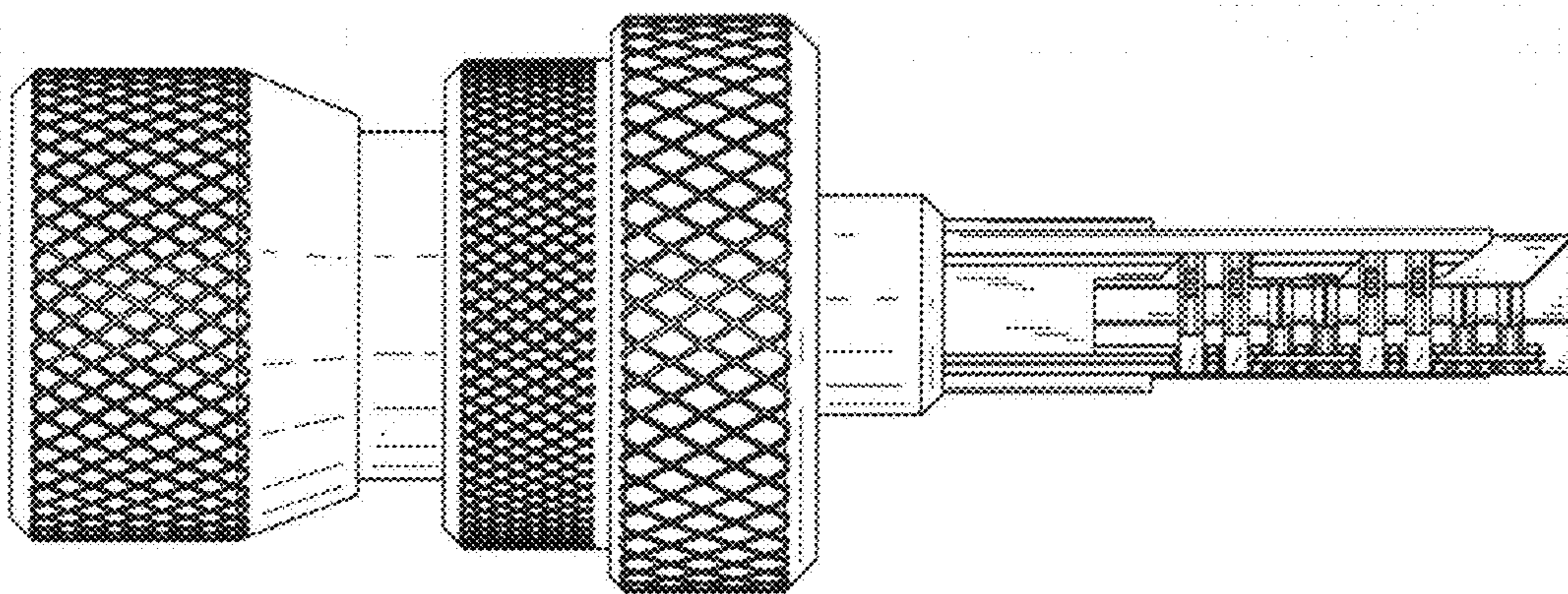


Fig.2

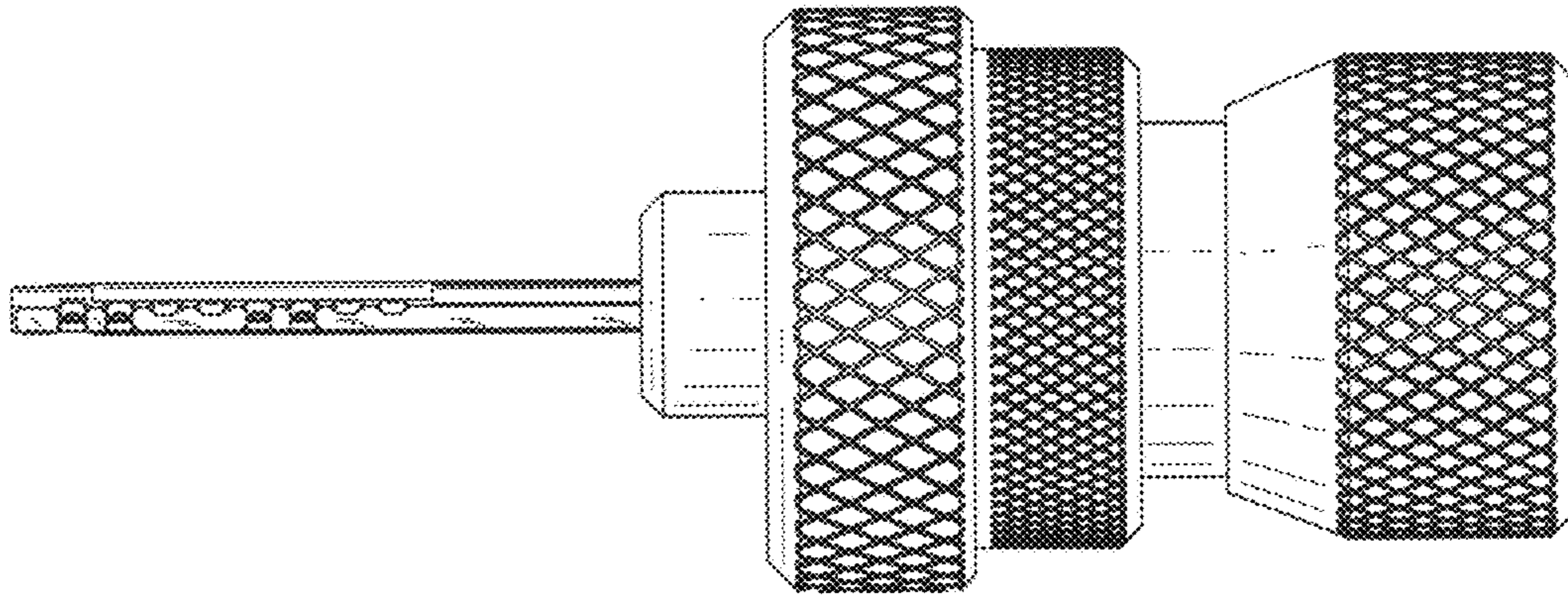


Fig.3

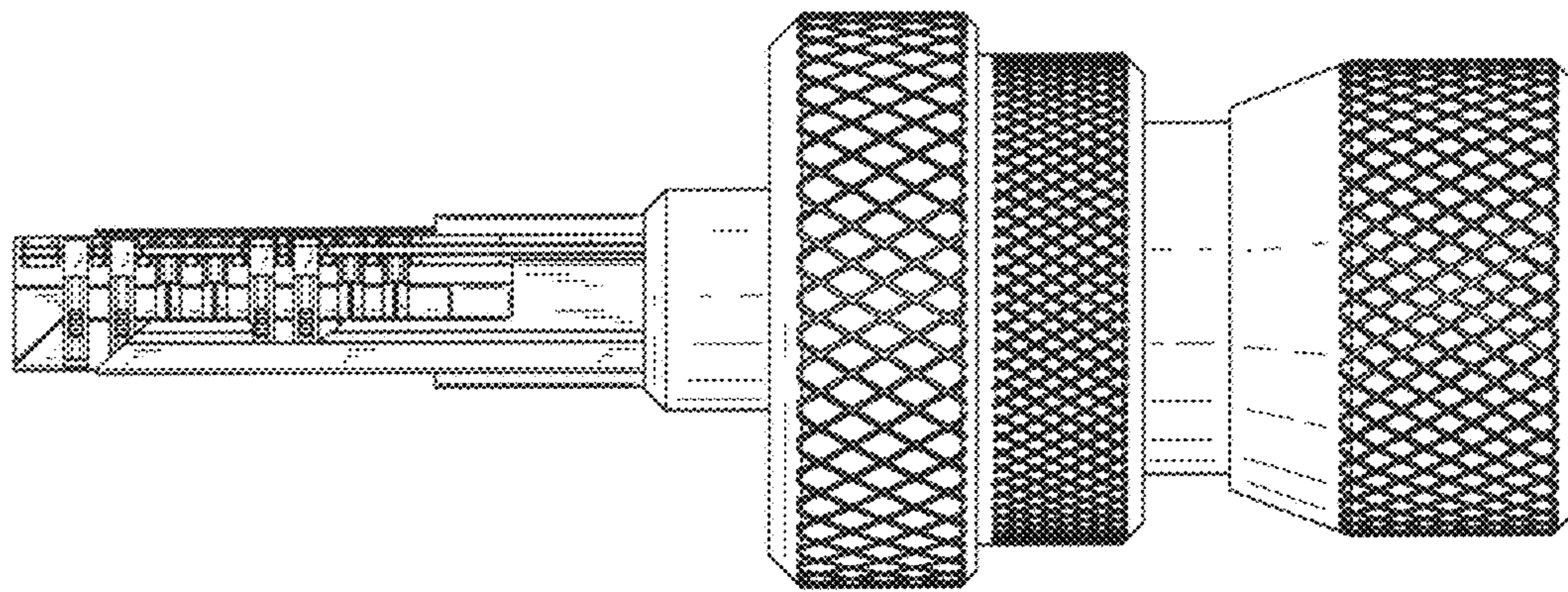


Fig.4

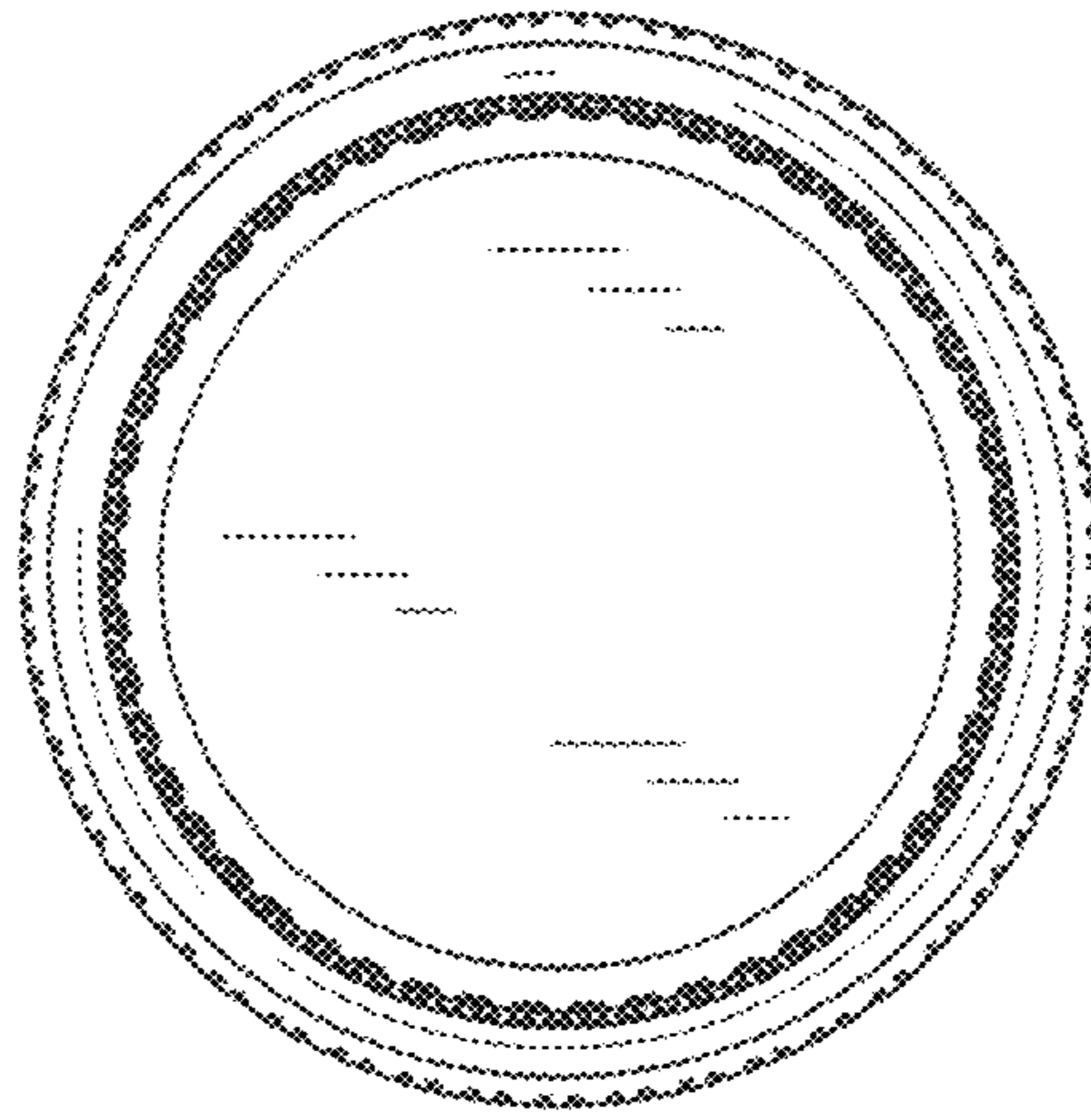


Fig.5

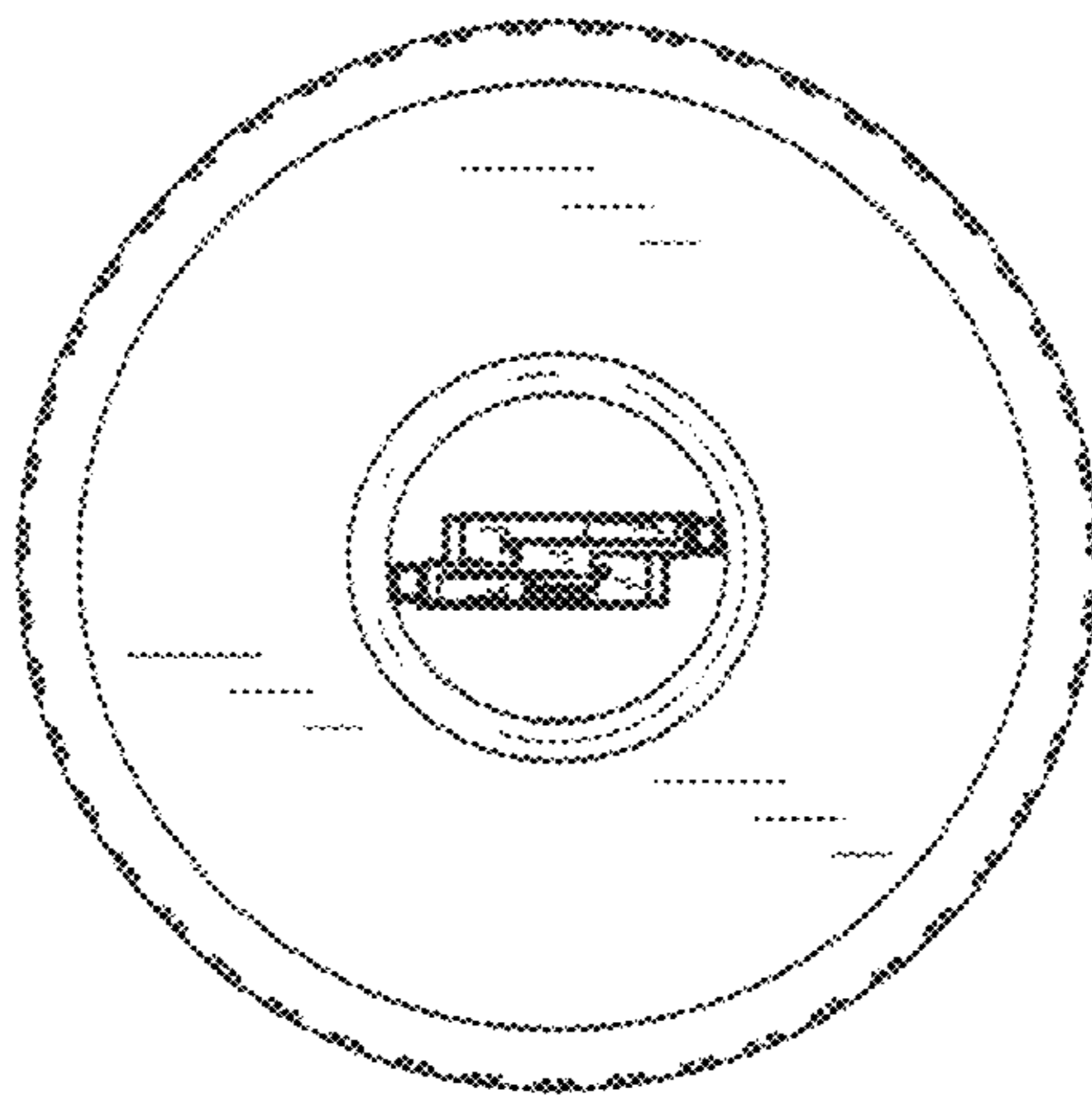


Fig.6

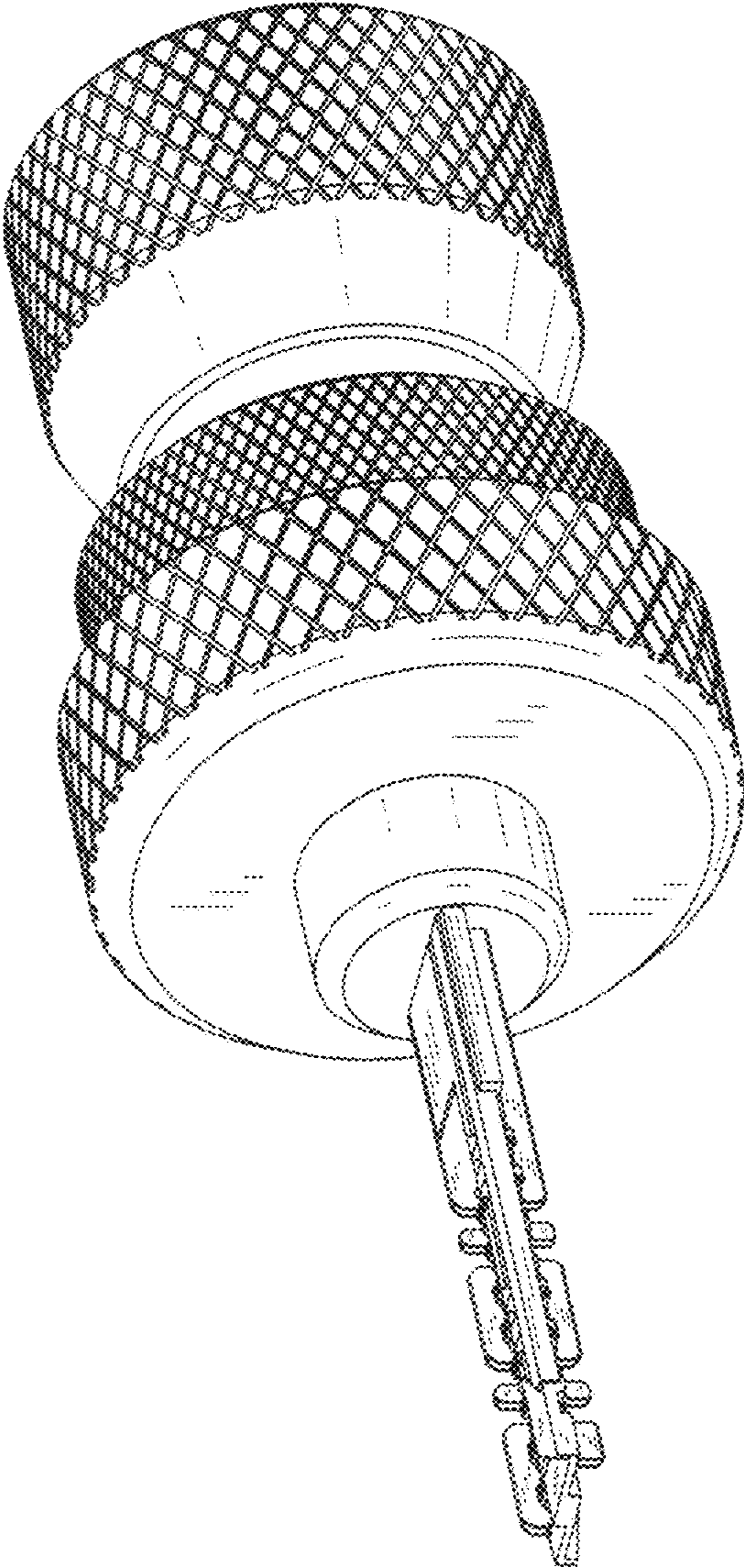


Fig. 7

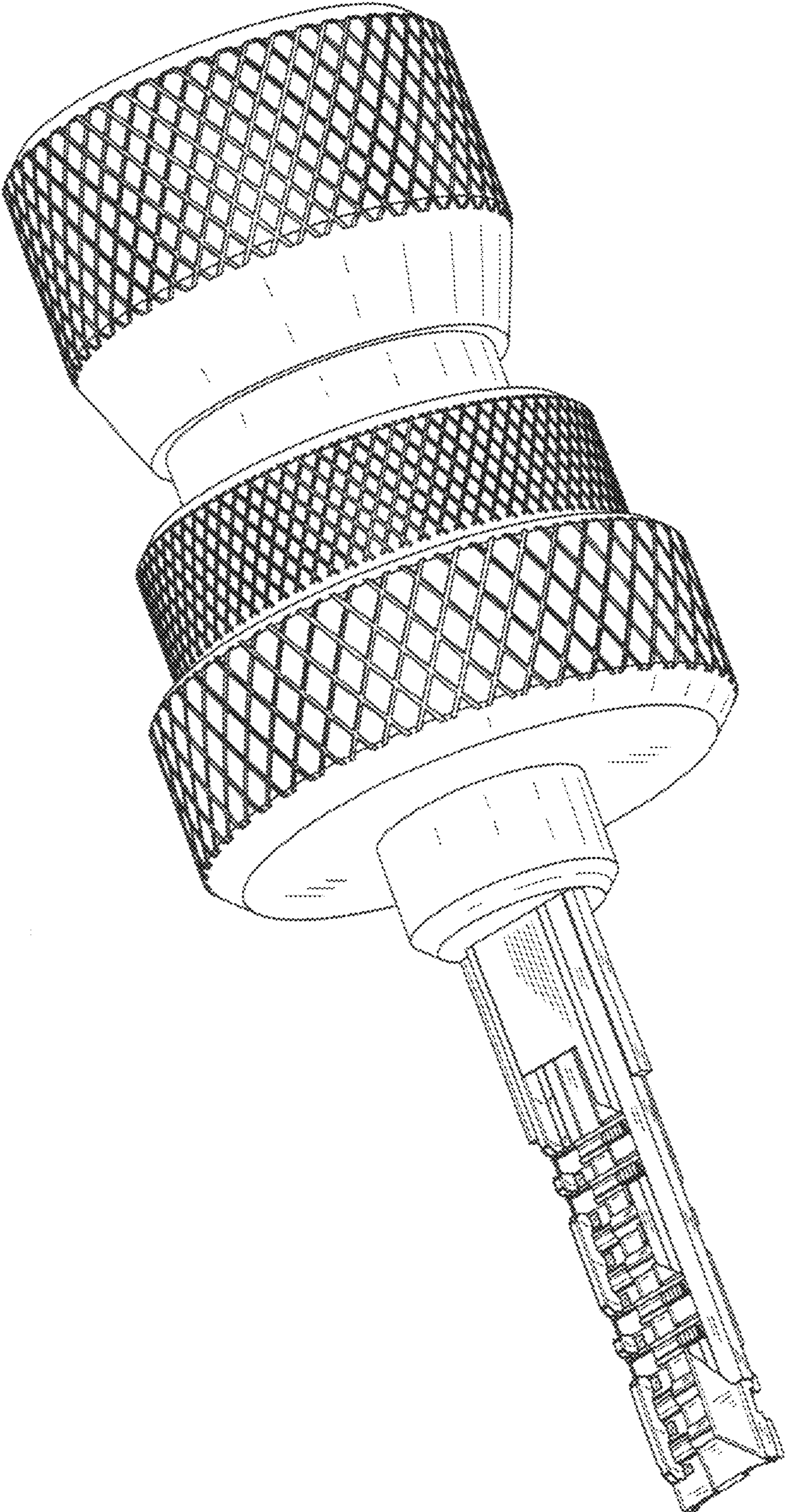


Fig.8

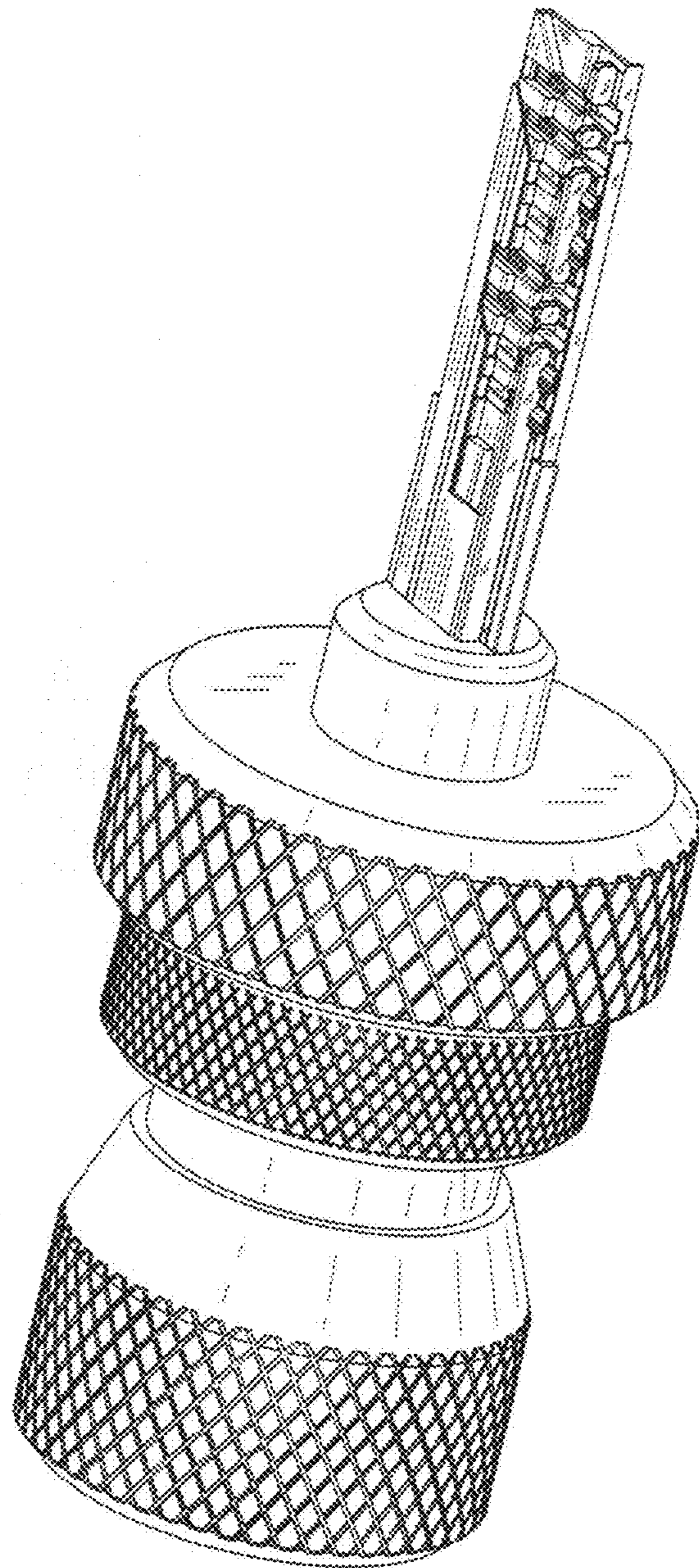


Fig.9