



US00D815927S

(12) **United States Design Patent**
Kimsey

(10) **Patent No.:** **US D815,927 S**
(45) **Date of Patent:** **** Apr. 24, 2018**

- (54) **PRODUCE PEELING TOOL**
- (71) Applicant: **Kevin Kimsey**, Prescott, AZ (US)
- (72) Inventor: **Kevin Kimsey**, Prescott, AZ (US)
- (**) Term: **15 Years**
- (21) Appl. No.: **29/595,238**
- (22) Filed: **Feb. 27, 2017**

| | | | | |
|-------------------|--------|--------------|-------|------------|
| 5,533,442 A * | 7/1996 | Tateno | | A47J 17/02 |
| | | | | 30/114 |
| 5,937,524 A * | 8/1999 | Hornsby | | B26B 3/00 |
| | | | | 30/113.1 |
| D453,450 S * | 2/2002 | Drummond | | D7/693 |
| D488,361 S * | 4/2004 | Bertulis | | D7/693 |
| D514,900 S * | 2/2006 | McGuyer | | D7/678 |
| 7,080,454 B2 * | 7/2006 | Holcomb | | A47J 17/02 |
| | | | | 30/114 |
| 7,263,776 B1 * | 9/2007 | Shieh | | A47J 25/00 |
| | | | | 30/279.6 |
| 7,421,786 B2 * | 9/2008 | Dorion | | A47J 17/02 |
| | | | | 30/114 |
| D631,712 S * | 2/2011 | Hull | | D7/673 |
| D680,821 S * | 4/2013 | Barrows, III | | D7/693 |
| 2004/0117989 A1 * | 6/2004 | Hornig | | B26D 3/26 |
| | | | | 30/114 |

Related U.S. Application Data

- (63) Continuation of application No. 14/298,786, filed on Jun. 6, 2014, now abandoned, which is a continuation of application No. 13/438,640, filed on Apr. 3, 2012, now abandoned.
- (51) **LOC (11) Cl.** **07-06**
- (52) **U.S. Cl.**
USPC **D7/693**
- (58) **Field of Classification Search**
USPC D7/680-696, 368, 669, 393, 395
CPC B26D 3/26; B26D 3/24; A47J 17/02
See application file for complete search history.

* cited by examiner

Primary Examiner — Terry A Wallace

(57) **CLAIM**

An ornamental design for a produce peeling tool, as shown and described.

DESCRIPTION

FIG. 1 is a front perspective view of the produce peeling tool.

FIG. 2 is a front view of the produce peeling tool.

FIG. 3 is a rear view of the produce peeling tool.

FIG. 4 is a side view of the produce peeling tool.

FIG. 5 is a side view of the produce peeling tool.

FIG. 6 is a top view of the produce peeling tool; and,

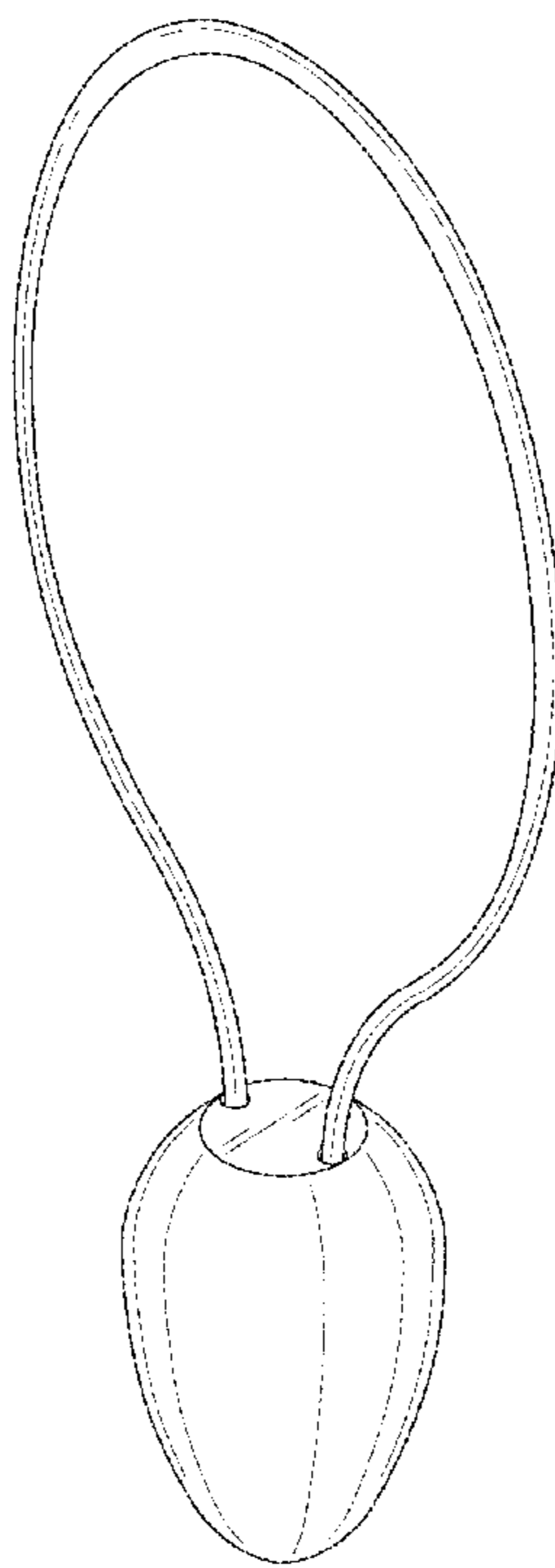
FIG. 7 is a bottom view of the produce peeling tool.

(56) **References Cited**

U.S. PATENT DOCUMENTS

| | | | | |
|---------------|--------|------------|-------|------------|
| 924,124 A * | 6/1909 | Worcester | | A01B 1/08 |
| | | | | 172/376 |
| 1,428,789 A * | 9/1922 | Lawson | | A47J 23/00 |
| | | | | 30/113.1 |
| 2,321,725 A * | 6/1943 | Alderfer | | A47G 21/00 |
| | | | | 30/114 |
| D256,315 S * | 8/1980 | Eskew, Jr. | | D7/690 |

1 Claim, 5 Drawing Sheets



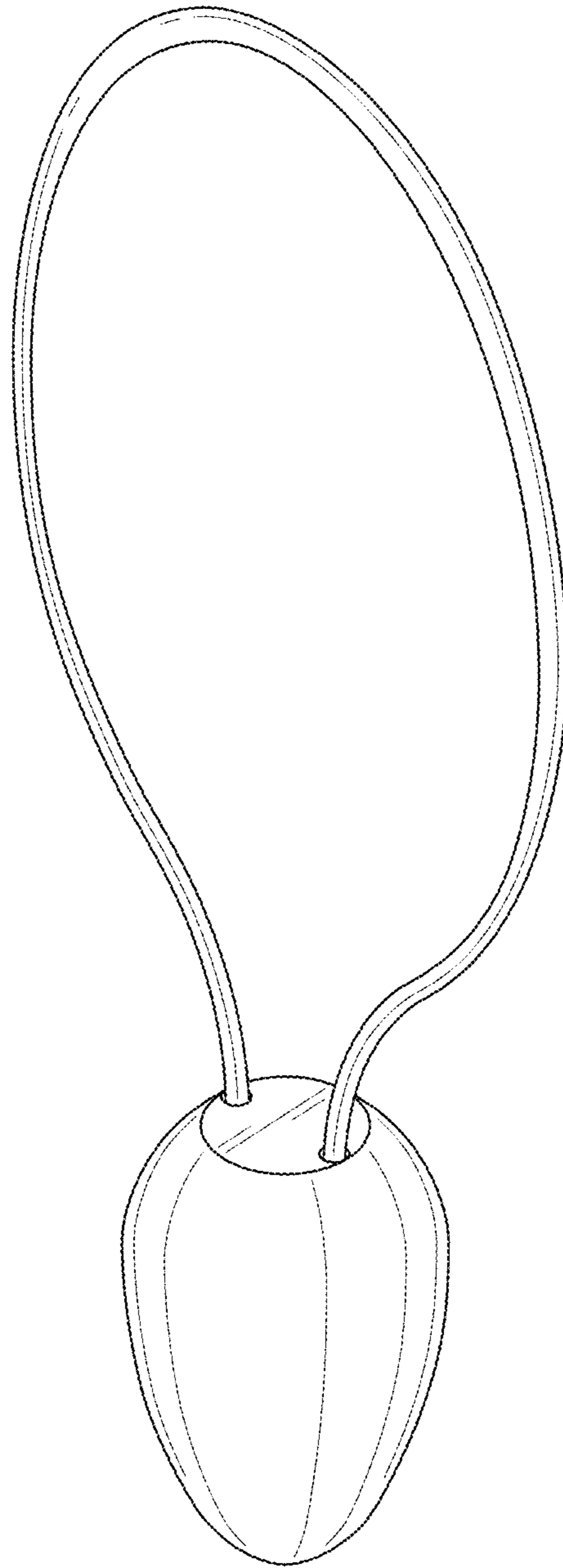


FIG. 1

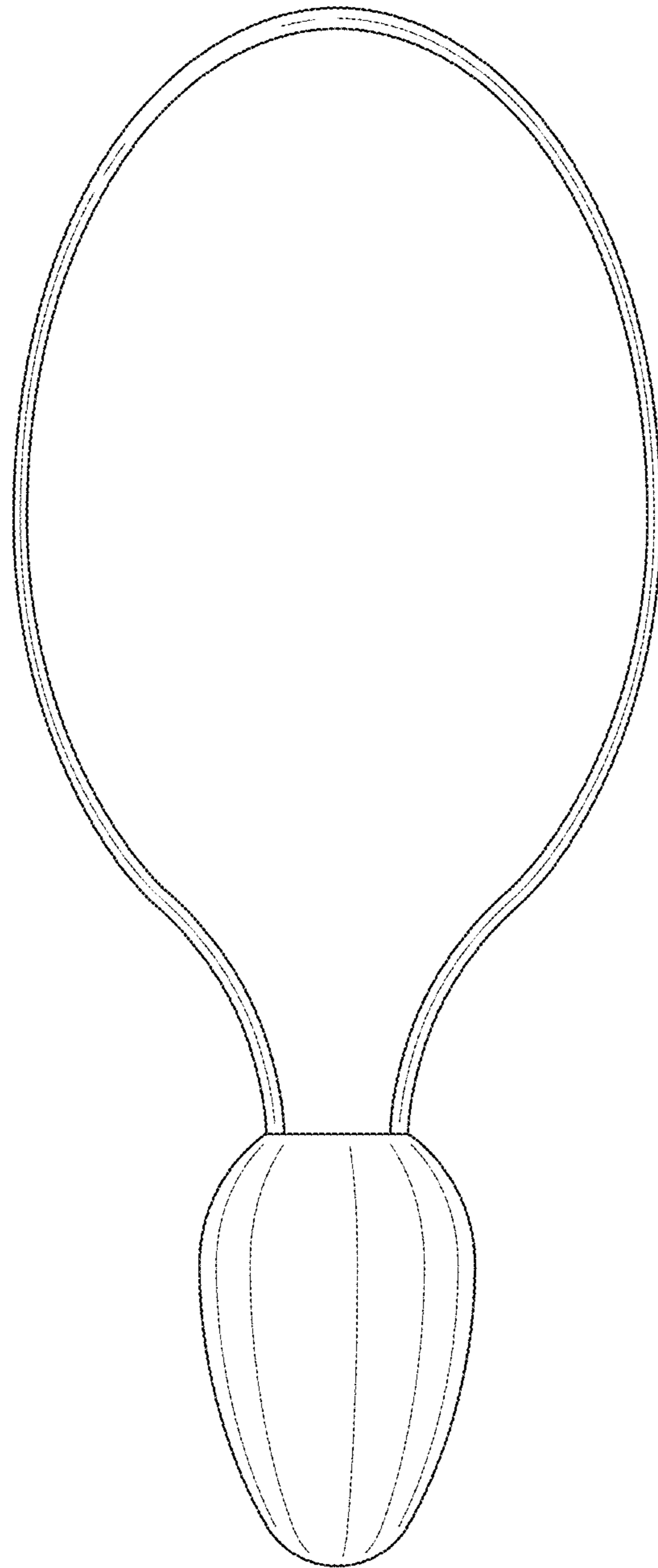


FIG. 2

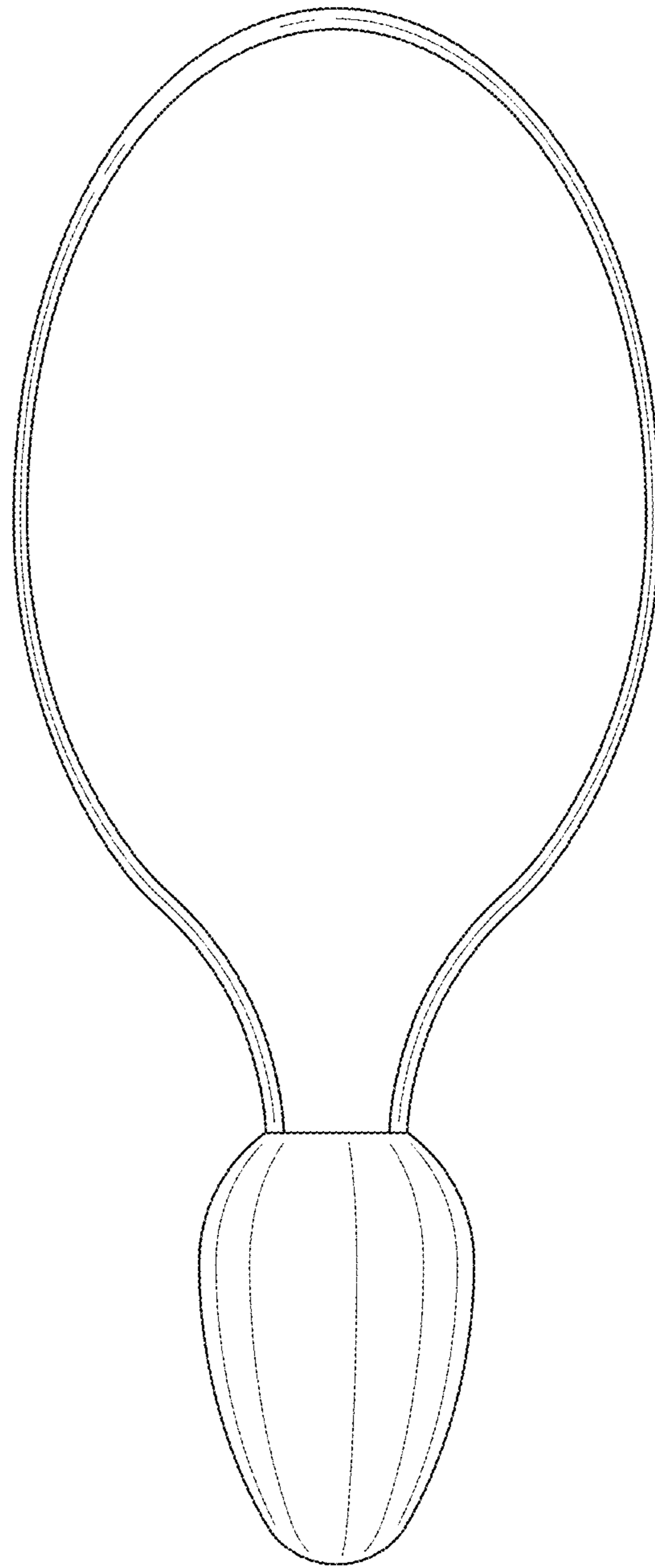


FIG. 3

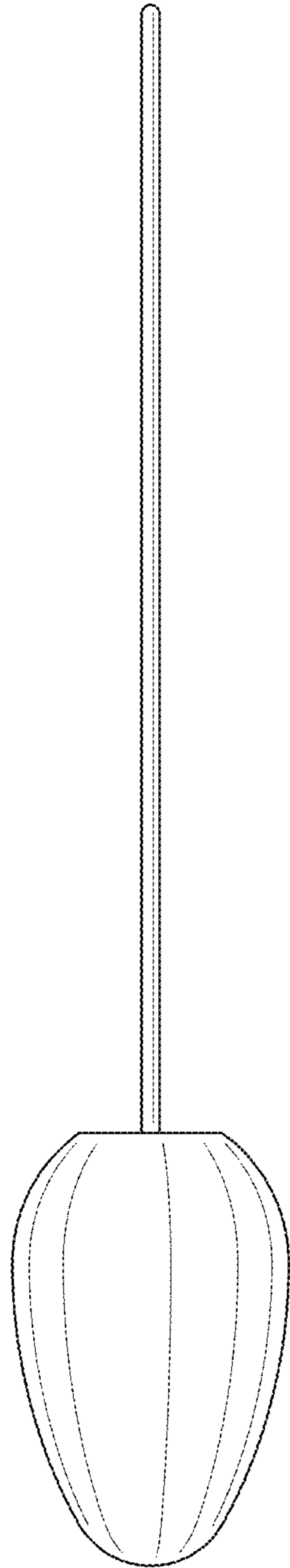


FIG. 4

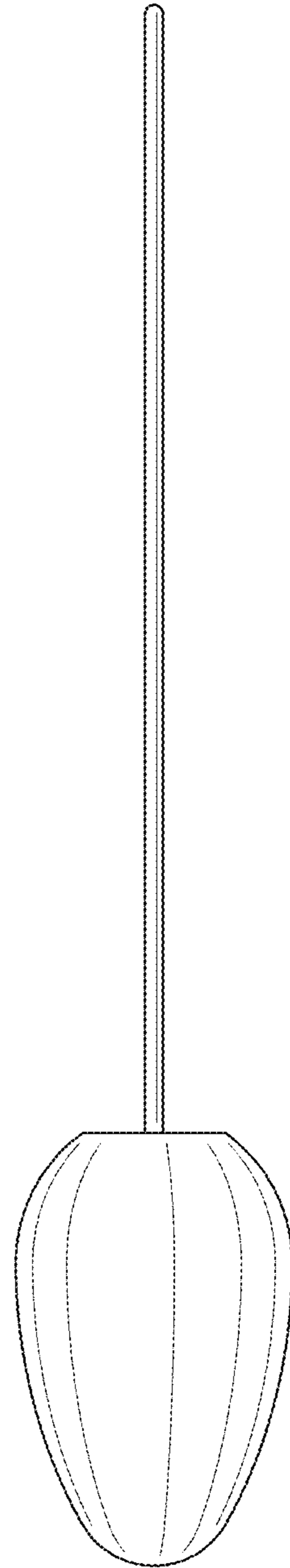


FIG. 5

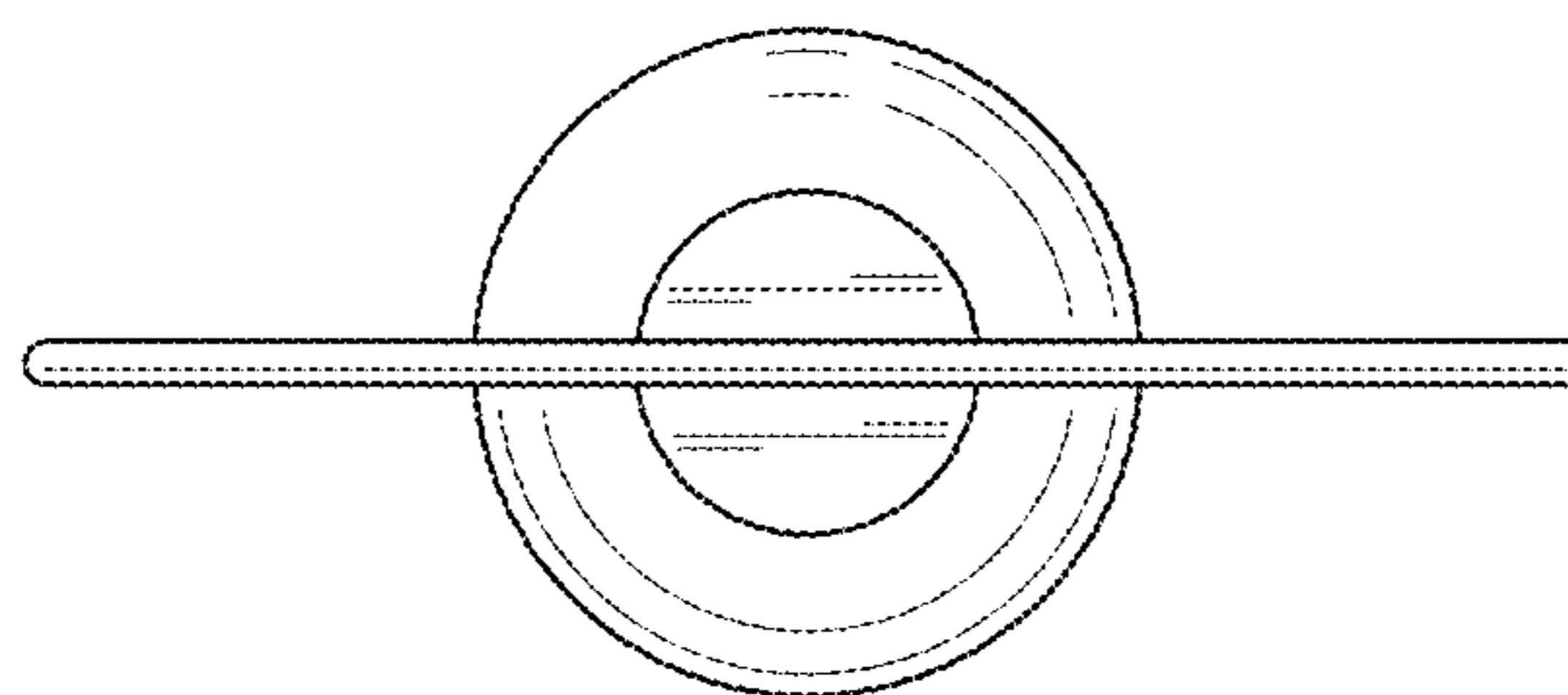


FIG. 6

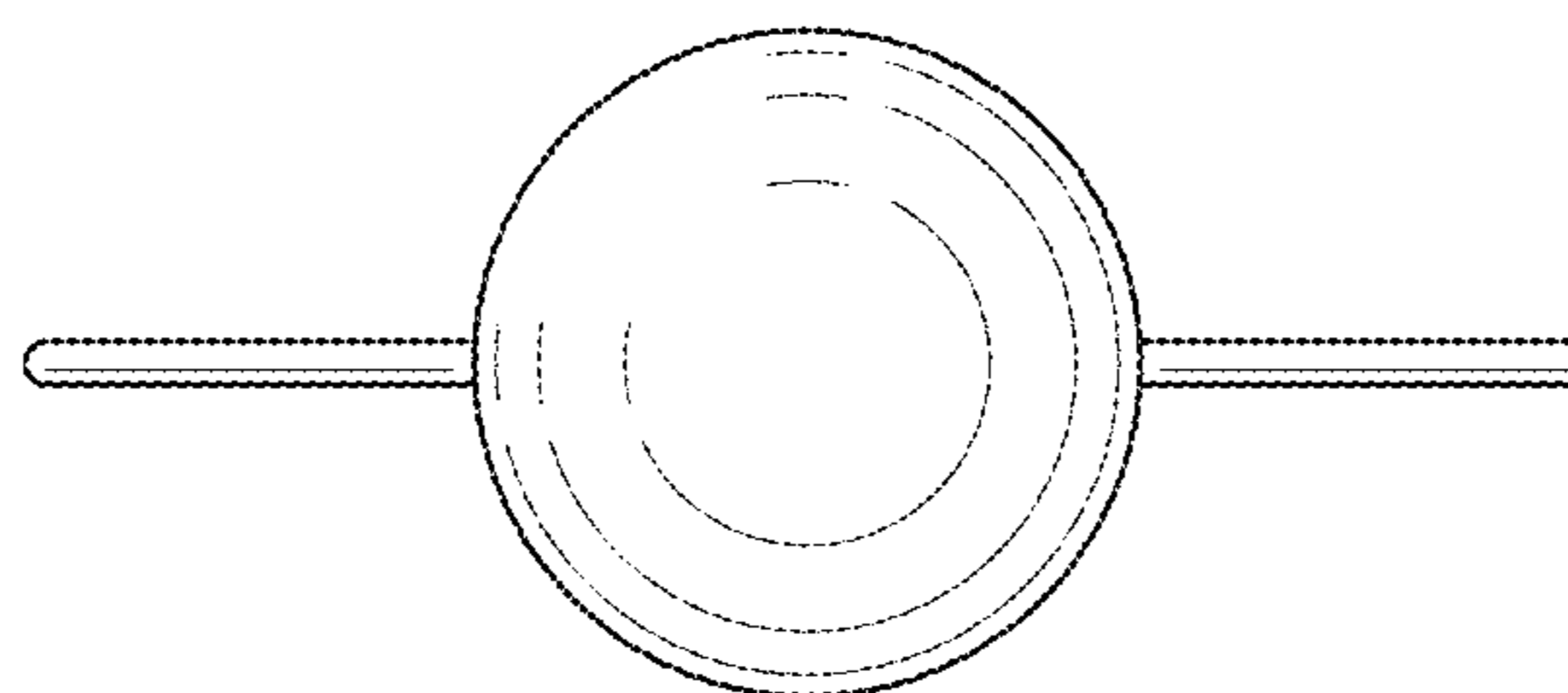


FIG. 7