



US00D815926S

(12) **United States Design Patent** (10) **Patent No.:** **US D815,926 S**
Lee et al. (45) **Date of Patent:** **** Apr. 24, 2018**

(54) **FOOD PRESSING WEIGHT**

(71) Applicant: **CJ CHEILJEDANG CORPORATION**, Seoul (KR)
(72) Inventors: **Byung Kook Lee**, Seoul (KR); **Kwang Soo Park**, Gyeonggi-do (KR); **Gyu Hwan Cha**, Seoul (KR)
(73) Assignee: **CJ CHEILJEDANG CORPORATION**, Seoul (KR)
(**) Term: **15 Years**

(21) Appl. No.: **29/554,908**
(22) Filed: **Feb. 17, 2016**

(30) **Foreign Application Priority Data**

Nov. 2, 2015 (KR) 30-2015-0055254

(51) **LOC (11) Cl.** **07-06**

(52) **U.S. Cl.**
USPC **D7/682; D7/669**

(58) **Field of Classification Search**
USPC D7/669, 682, 554.2, 557, 584-587, 540
CPC .. A47J 47/10; A47J 43/00; A47J 43/18; A47J 37/108; B65D 1/10; B65D 81/245
See application file for complete search history.

(56) **References Cited**

U.S. PATENT DOCUMENTS

5,901,848 A * 5/1999 Gorlich B65D 81/245
206/439
D433,290 S * 11/2000 Khubani D7/669
6,550,630 B1 * 4/2003 Krupa B65D 85/72
220/575
D527,224 S * 8/2006 Roth D7/540
D527,954 S * 9/2006 Roth D7/557
D568,112 S * 5/2008 Epstein D7/554.2
2017/0057726 A1 3/2017 Lee et al.

OTHER PUBLICATIONS

“Kimchi worry is over! Learn how to cook with Hasunjung’s liquid salted and fermented anchovy & Bibigo kimchi,” published Nov. 8, 2017, accessed online at <<http://blog.naver.com/hawamama/221135059171>> on Nov. 28, 2017.

“A new container dictionary of useful knowledge—Pride of Korean food, Bibigo kimchi,” published on Jul. 31, 2017, accessed online at <<http://m.cj.co.kr/cjm-kr/cj/cscenter/faq/937>> on Nov. 28, 2017.

Selected annotated view of “Kimchi worry is over! Learn how to cook with Hasunjung’s liquid salted and fermented anchovy & Bibigo kimchi,” published Nov. 8, 2017, accessed online at <<http://blog.naver.com/hawamama/221135059171>> on Nov. 28, 2017.

Selected annotated view of “A new container dictionary of useful knowledge—Pride of Korean food, Bibigo kimchi,” published on Jul. 31, 2017, accessed online at <<http://m.cj.co.kr/cjm-kr/cj/cscenter/faq/937>> on Nov. 28, 2017.

* cited by examiner

Primary Examiner — Terry A Wallace

(74) *Attorney, Agent, or Firm* — Leydig Voit & Mayer

(57) **CLAIM**

The ornamental design for a food pressing weight, as shown and described.

DESCRIPTION

FIG. 1 is a perspective view of a food pressing weight of the present invention.

FIG. 2 is a front elevational view thereof;

FIG. 3 is a rear elevational view thereof;

FIG. 4 is a left side elevational view thereof;

FIG. 5 is a right side elevational view thereof;

FIG. 6 is a top plan view thereof;

FIG. 7 is a bottom plan view thereof; and,

FIG. 8 is a cross section view thereof taken along line 8-8 of FIG. 1.

1 Claim, 8 Drawing Sheets

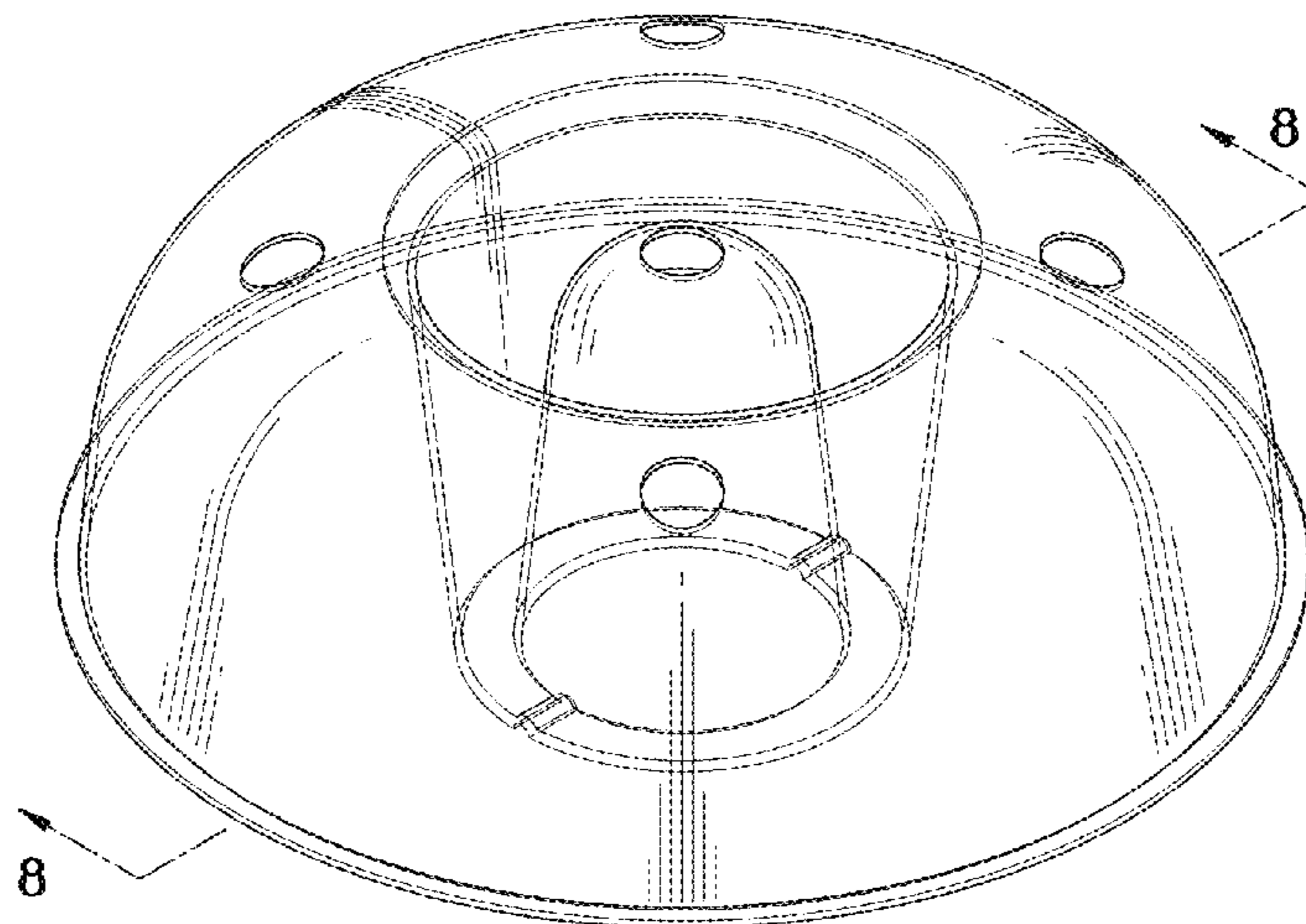


FIG. 1

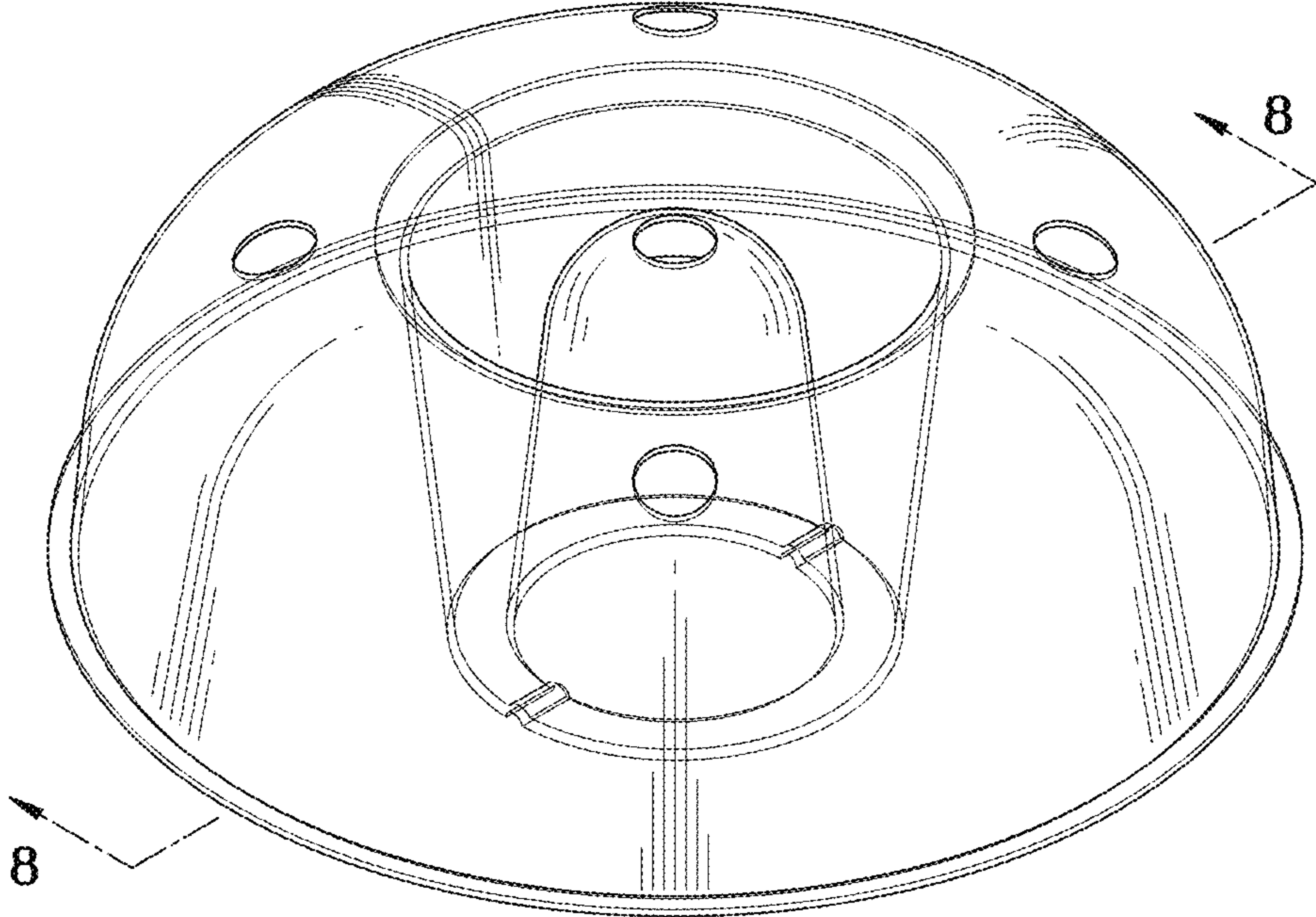


FIG. 2

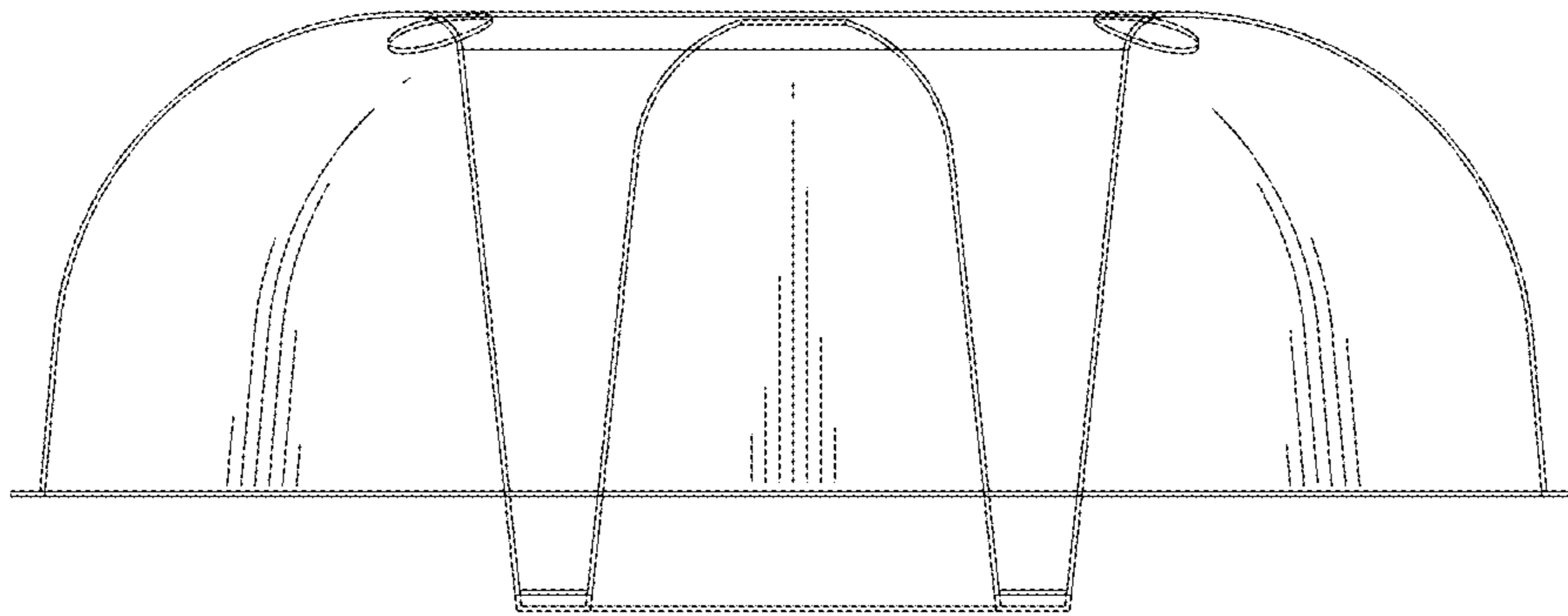


FIG. 3

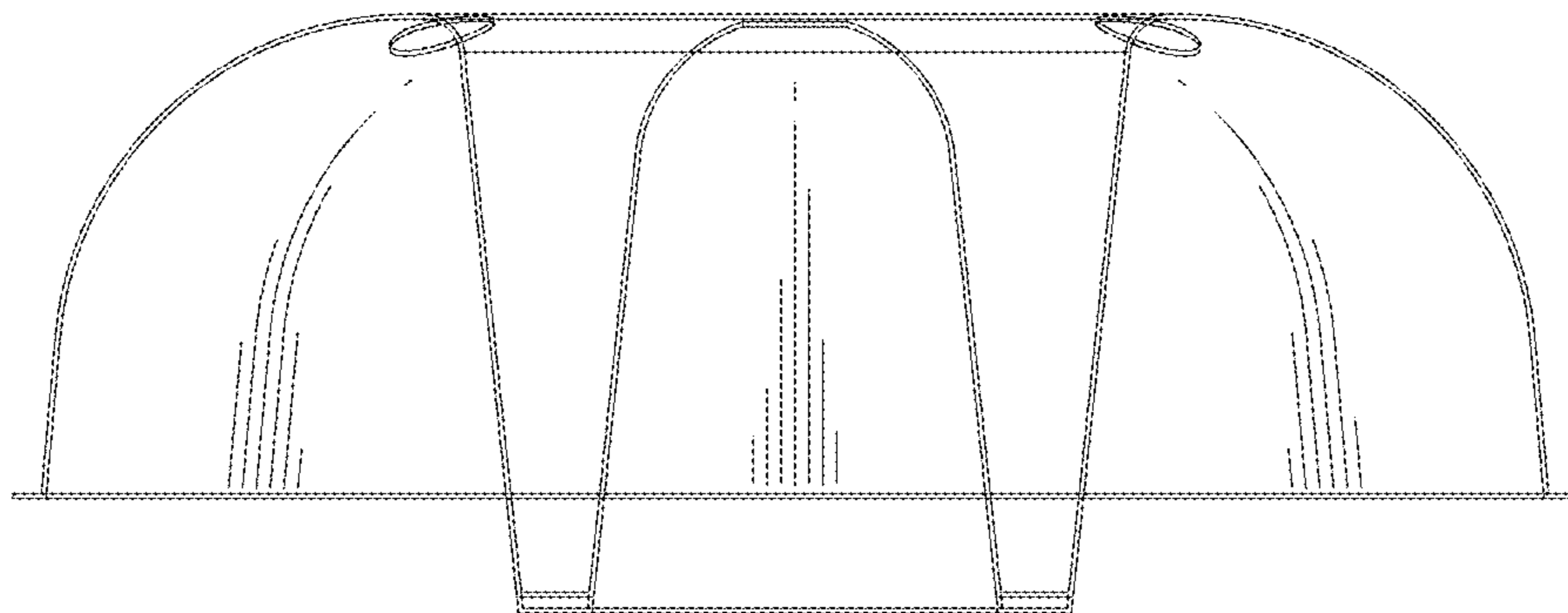


FIG. 4

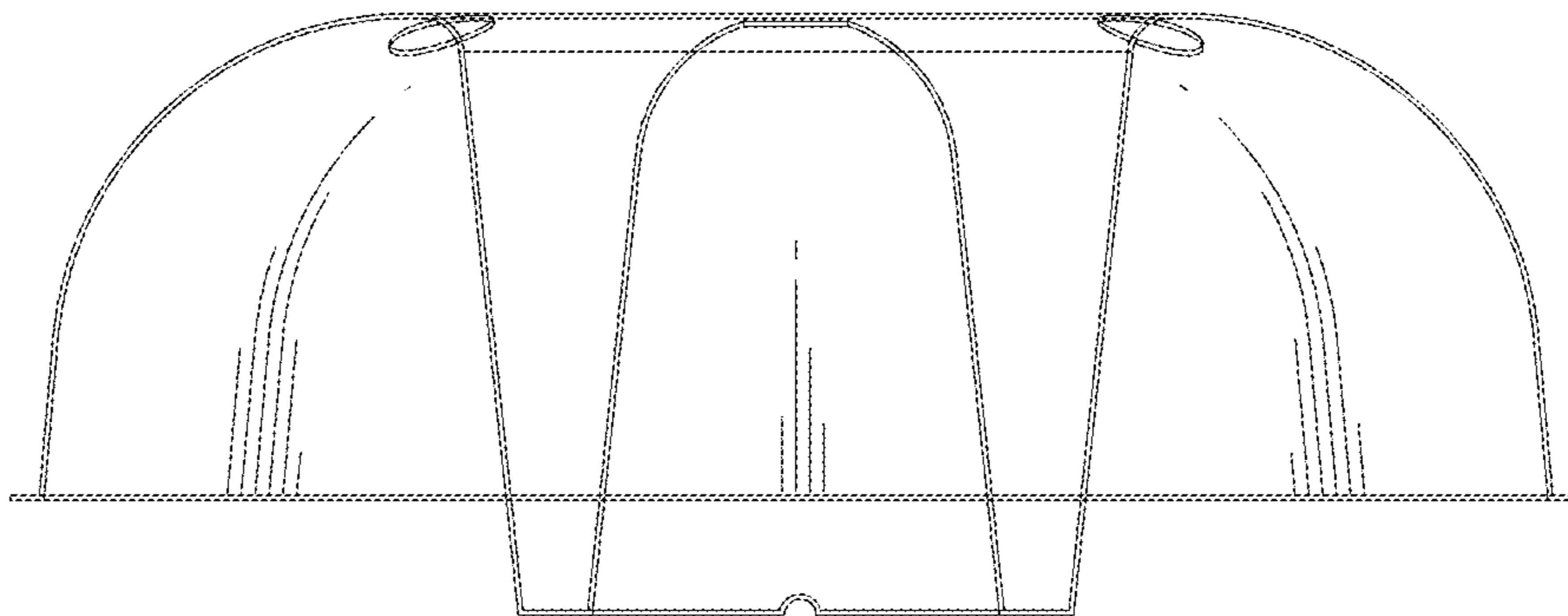


FIG. 5

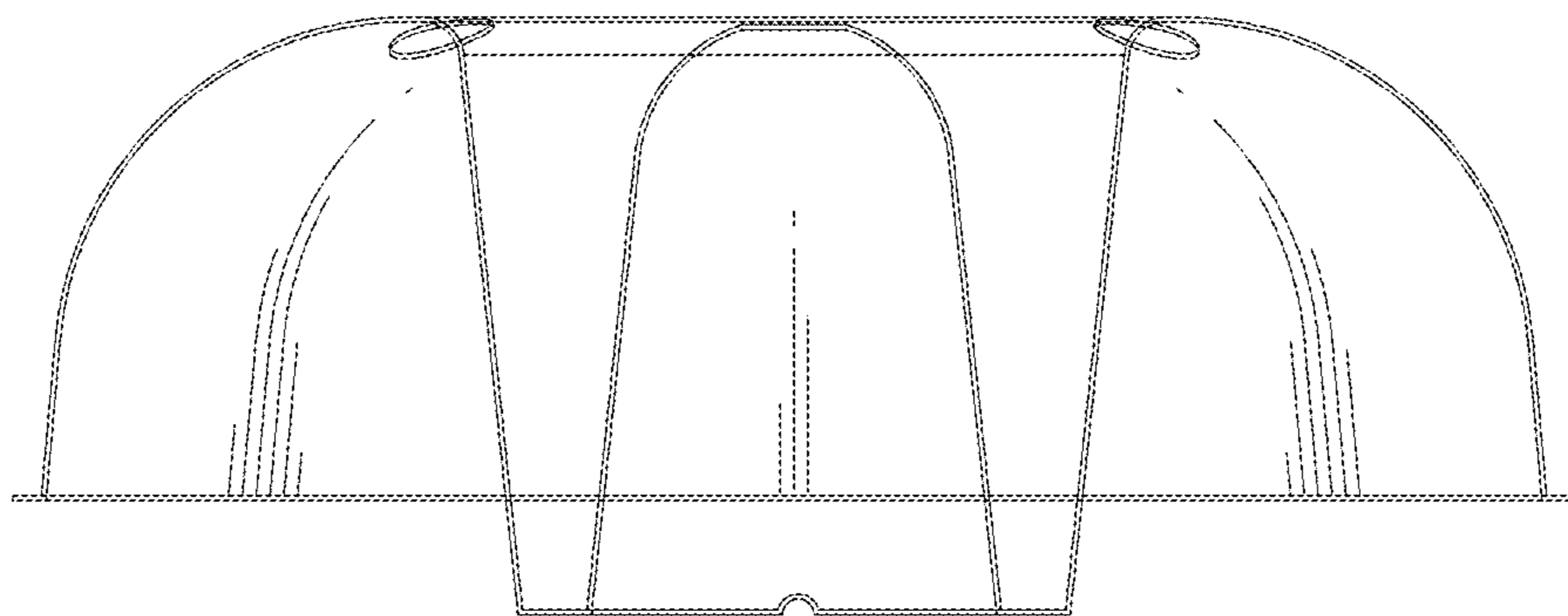


FIG. 6

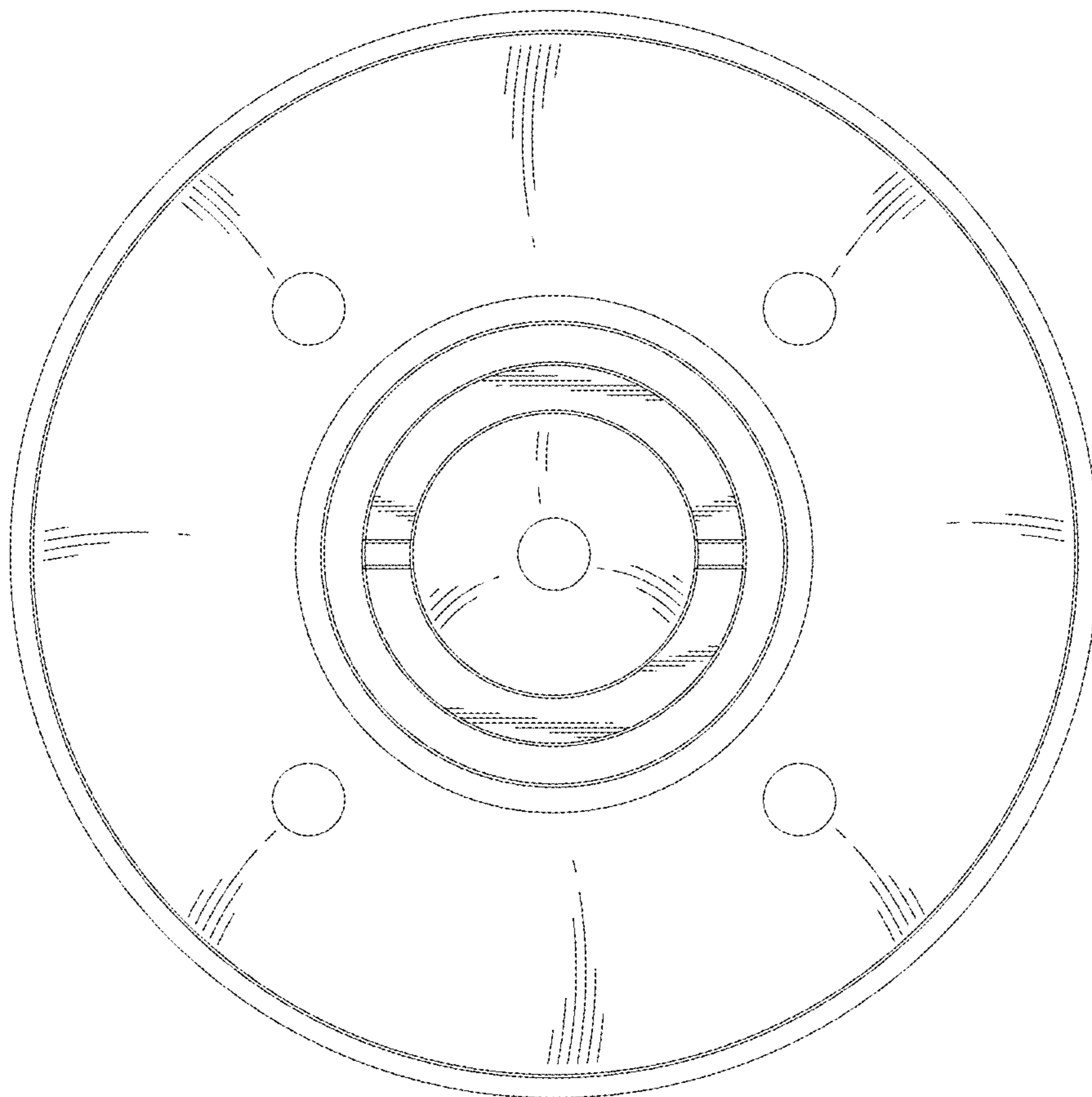


FIG. 7

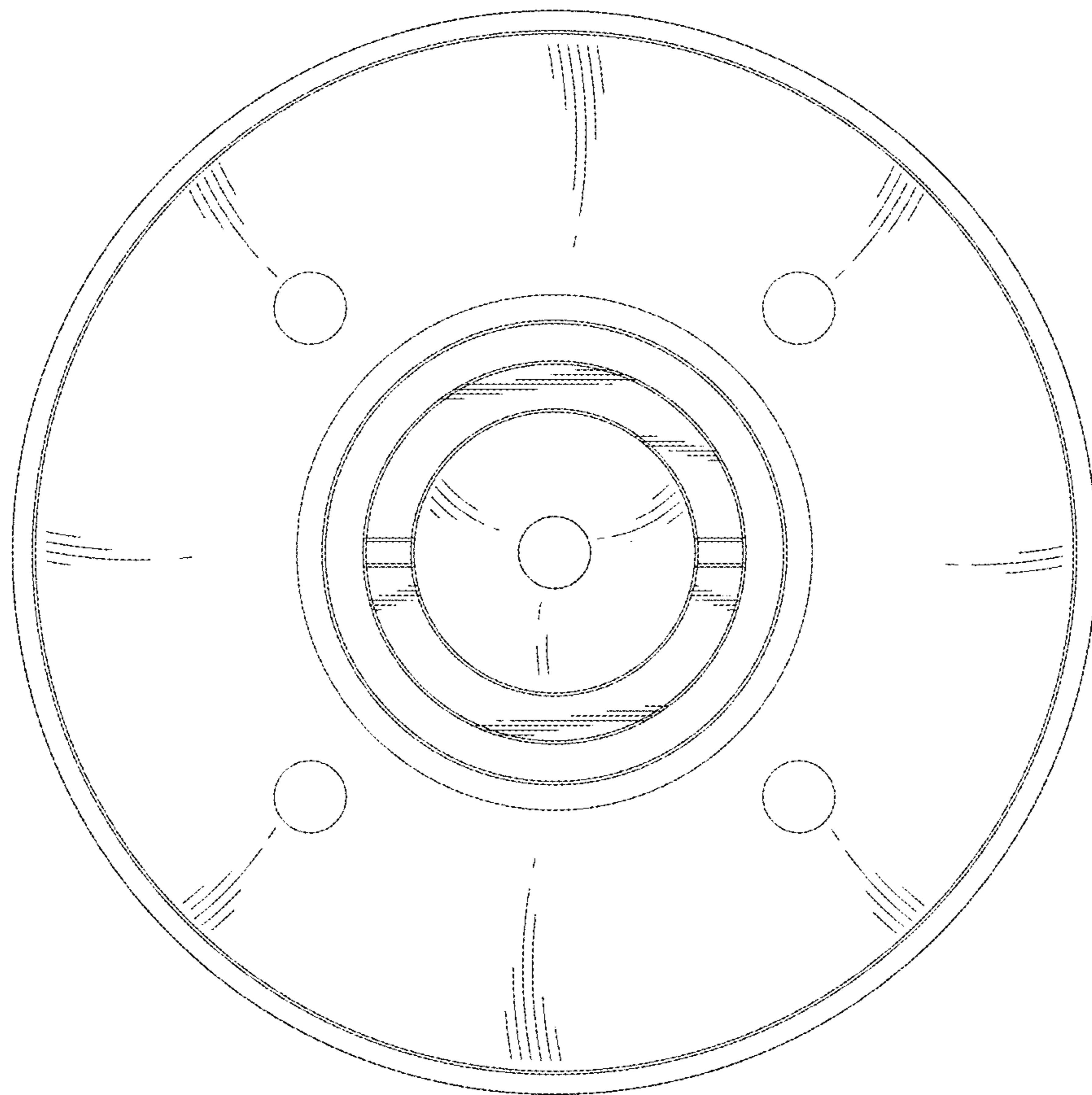


FIG. 8

