



US00D815925S

(12) **United States Design Patent**
Rapparini et al.

(10) **Patent No.:** **US D815,925 S**
(45) **Date of Patent:** **** Apr. 24, 2018**

(54) **CAPSULE**

- (71) Applicant: **Aroma System s.r.l.**, Bologna (IT)
- (72) Inventors: **Gino Rapparini**, Bologna (IT);
Maurizio Generali, Bologna (IT)
- (73) Assignee: **Aroma Systems S.R.L.**, Bologna (IT)
- (**) Term: **15 Years**
- (21) Appl. No.: **29/558,929**
- (22) Filed: **Mar. 23, 2016**

(30) **Foreign Application Priority Data**

Jan. 21, 2016 (EM) 002953042

(51) **LOC (11) Cl.** **07-99**

(52) **U.S. Cl.**
USPC **D7/630; D7/400; D7/602**

(58) **Field of Classification Search**
USPC D7/540, 601, 602, 400, 630; D9/772,
D9/774, 776-779
CPC B65D 1/46; B65D 1/34; B65D 83/0445;
B65D 83/048; B65D 3/06; B65D 3/28;
B65D 77/245; B65D 81/3869; B65D
2543/00092; B65D 85/78; B65D
2543/00046

See application file for complete search history.

(56) **References Cited**

U.S. PATENT DOCUMENTS

- 3,440,951 A 4/1969 Barrera
- D260,243 S 8/1981 Dogliotti
- D288,063 S 2/1987 Tyler
- D306,974 S 4/1990 Tholstrup
- D383,646 S 9/1997 Jeppesen et al.

(Continued)

FOREIGN PATENT DOCUMENTS

- CA 2 734 843 A1 2/2010
- CA 157162 7/2015

(Continued)

OTHER PUBLICATIONS

International Search Report for International Application No. PCT/IB2011/001278, dated Oct. 20, 2011, 2 pages.

(Continued)

Primary Examiner — Daniel D Bui
Assistant Examiner — Andrew Kerr

(74) *Attorney, Agent, or Firm* — Brinks Gilson & Lione

(57) **CLAIM**

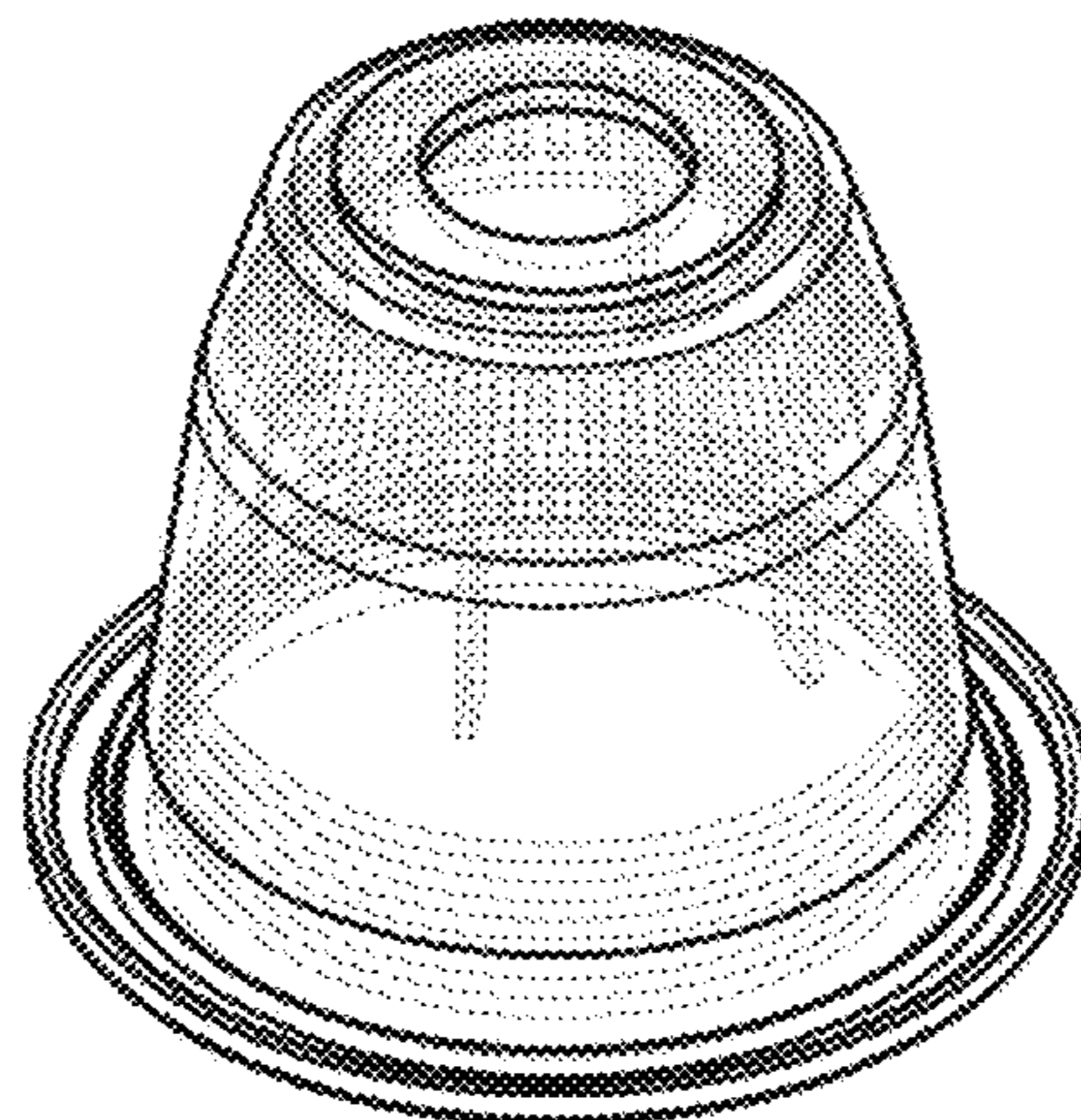
We claim the ornamental design for a capsule, as shown and described.

DESCRIPTION

FIG. 1 is a top perspective view of a first embodiment of a capsule design;
 FIG. 2 is a bottom plan view thereof;
 FIG. 3 is a right side elevation view thereof;
 FIG. 4 is a front elevation view thereof;
 FIG. 5 is a left side elevation view thereof;
 FIG. 6 is a rear elevation view thereof;
 FIG. 7 is a top plan view thereof;
 FIG. 8 is a top perspective view of a second embodiment of a capsule design constructed with a transparent material allowing a view of internal contours (shown with lighter-weight lines in each of FIGS. 8-14);
 FIG. 9 is a bottom plan view thereof;
 FIG. 10 is a right side elevation view thereof;
 FIG. 11 is a front elevation view thereof;
 FIG. 12 is a left side elevation view thereof;
 FIG. 13 is a rear elevation view thereof; and,
 FIG. 14 is a top plan view thereof.

The ornamental design which is claimed is shown in solid lines in the drawings. Any broken lines in the drawings form no part of the claimed design.

1 Claim, 14 Drawing Sheets



(56)

References Cited

U.S. PATENT DOCUMENTS

D438,794 S 3/2001 Miles et al.
 D445,677 S 7/2001 Lindsay et al.
 D452,433 S 12/2001 Lazaris
 6,431,389 B1 8/2002 Jerstroem et al.
 6,648,163 B2 11/2003 Porter et al.
 D502,362 S 3/2005 Lazaris et al.
 D587,995 S 3/2009 Studee
 D605,502 S * 12/2009 Honda D9/429
 D606,363 S 12/2009 Aardenburg
 D606,404 S 12/2009 Diss
 D612,732 S 3/2010 Takata et al.
 D627,636 S 11/2010 Fang
 D628,883 S 12/2010 Stephens
 D637,484 S 5/2011 Winkler
 D644,924 S 9/2011 Lin
 D647,397 S 10/2011 Inaba
 D651,865 S 1/2012 Smyers
 D652,266 S 1/2012 Smyers
 D668,538 S 10/2012 Knutson et al.
 D682,675 S 5/2013 Rapparini
 D685,631 S 7/2013 Rapparini
 D692,759 S 11/2013 Rapparini
 D692,760 S 11/2013 Rapparini
 D695,615 S 12/2013 Rapparini
 D697,801 S 1/2014 Rapparini

D726,006 S 4/2015 Rapparini
 D727,141 S * 4/2015 Mastropasqua D9/416
 D730,734 S 6/2015 Rapparini
 D736,614 S * 8/2015 Rapparini D9/416
 D745,824 S * 12/2015 Ritter D9/416
 D746,641 S * 1/2016 Panone D7/602
 D750,481 S 3/2016 Rapparini
 D750,482 S 3/2016 Rapparini
 D751,385 S * 3/2016 Rapparini D9/500
 9,387,979 B2 * 7/2016 Rapparini A23F 5/262
 D766,078 S * 9/2016 Hansen D9/416
 2007/0148290 A1 6/2007 Ternite et al.
 2011/0111098 A1 5/2011 Ricotti

FOREIGN PATENT DOCUMENTS

CA 169051 7/2016
 EP 0 524 464 A1 1/1993
 EP 1 792 850 A1 6/2007
 FR 1 543 608 10/1968

OTHER PUBLICATIONS

International Search Report for International Application No. PCT/IB2011/001273, dated Oct. 21, 2011, 2 pages.
 Undated advertisement, ECOCUP Capsules.

* cited by examiner

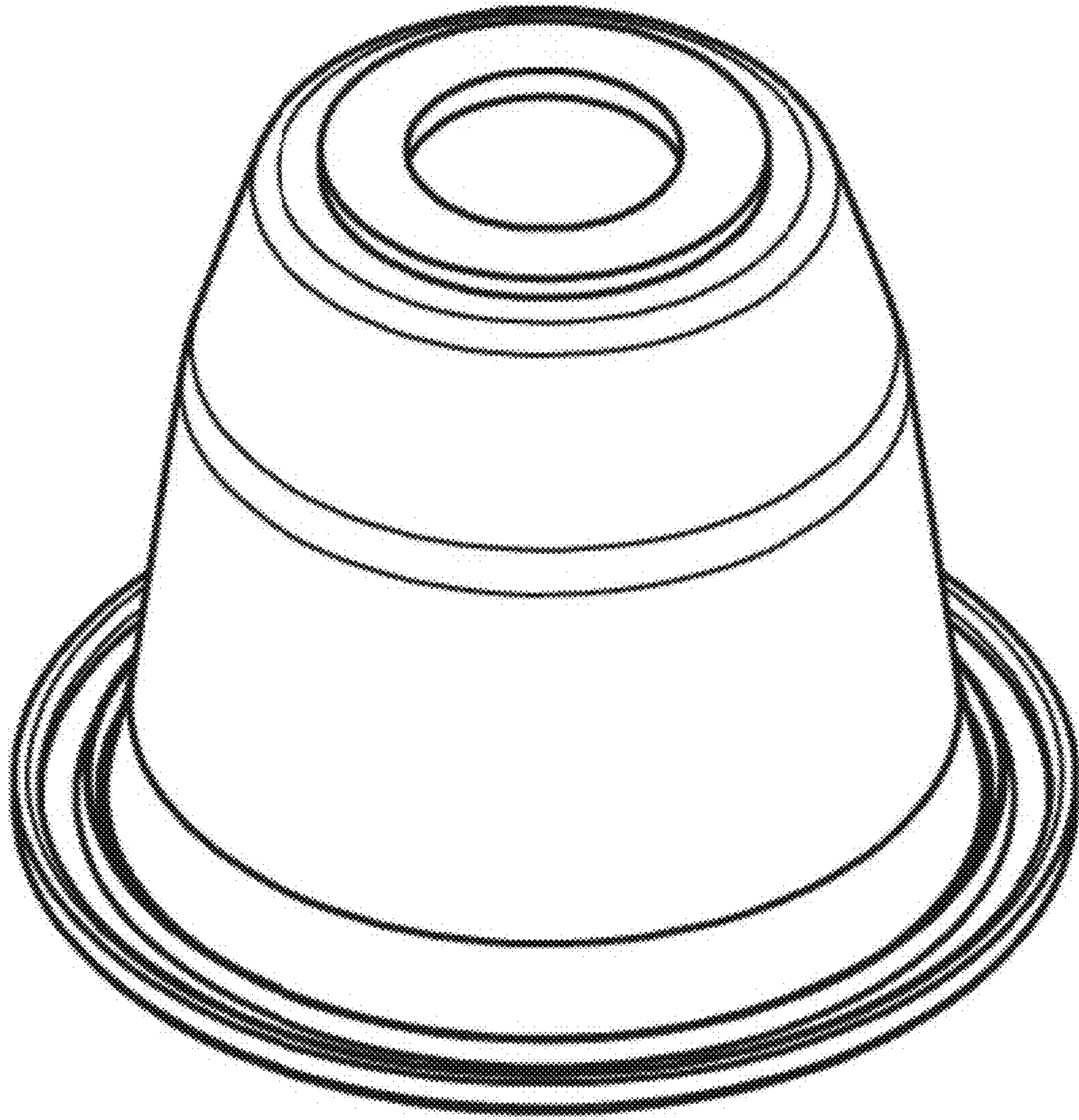


FIG. 1

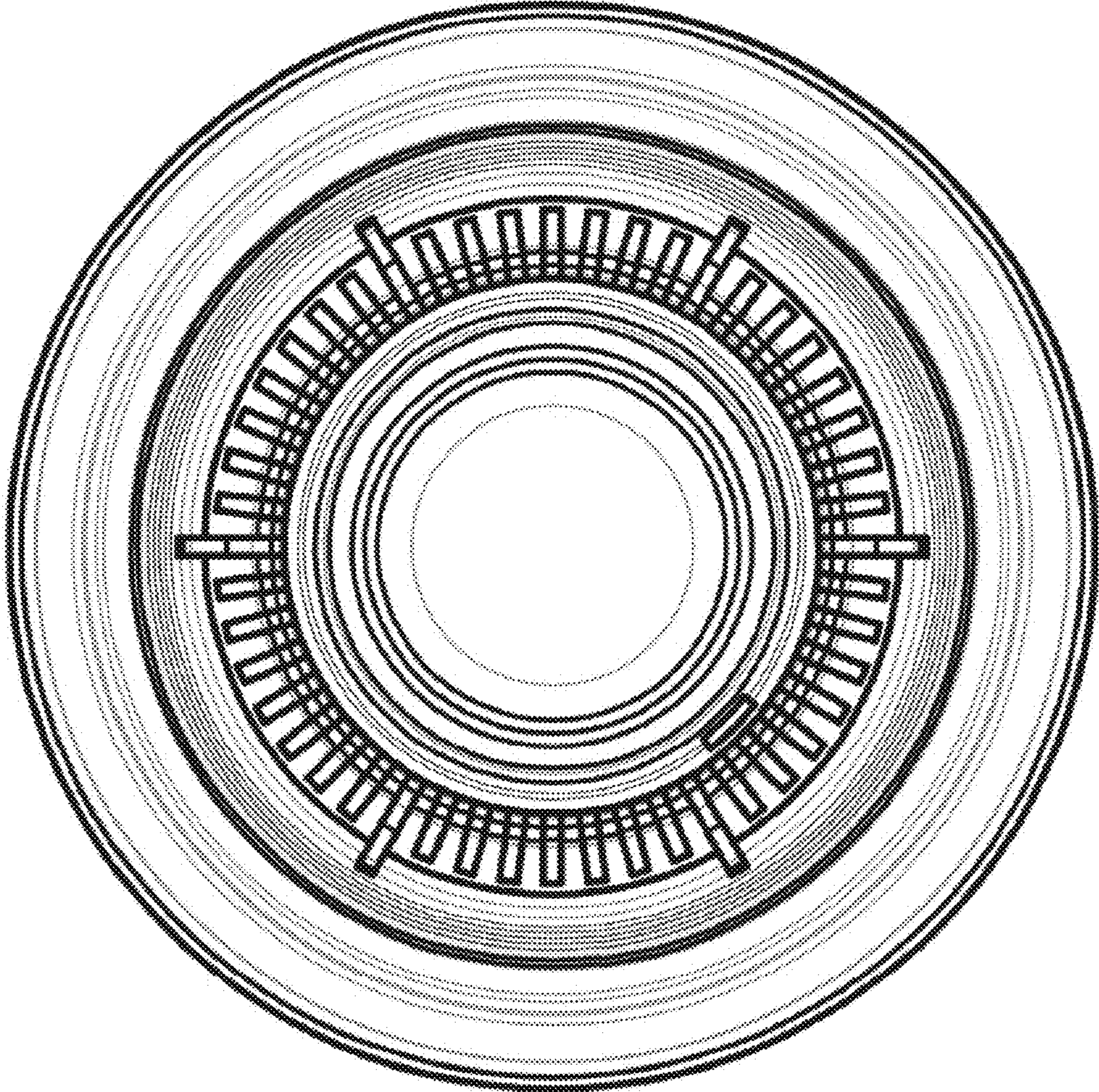


FIG. 2

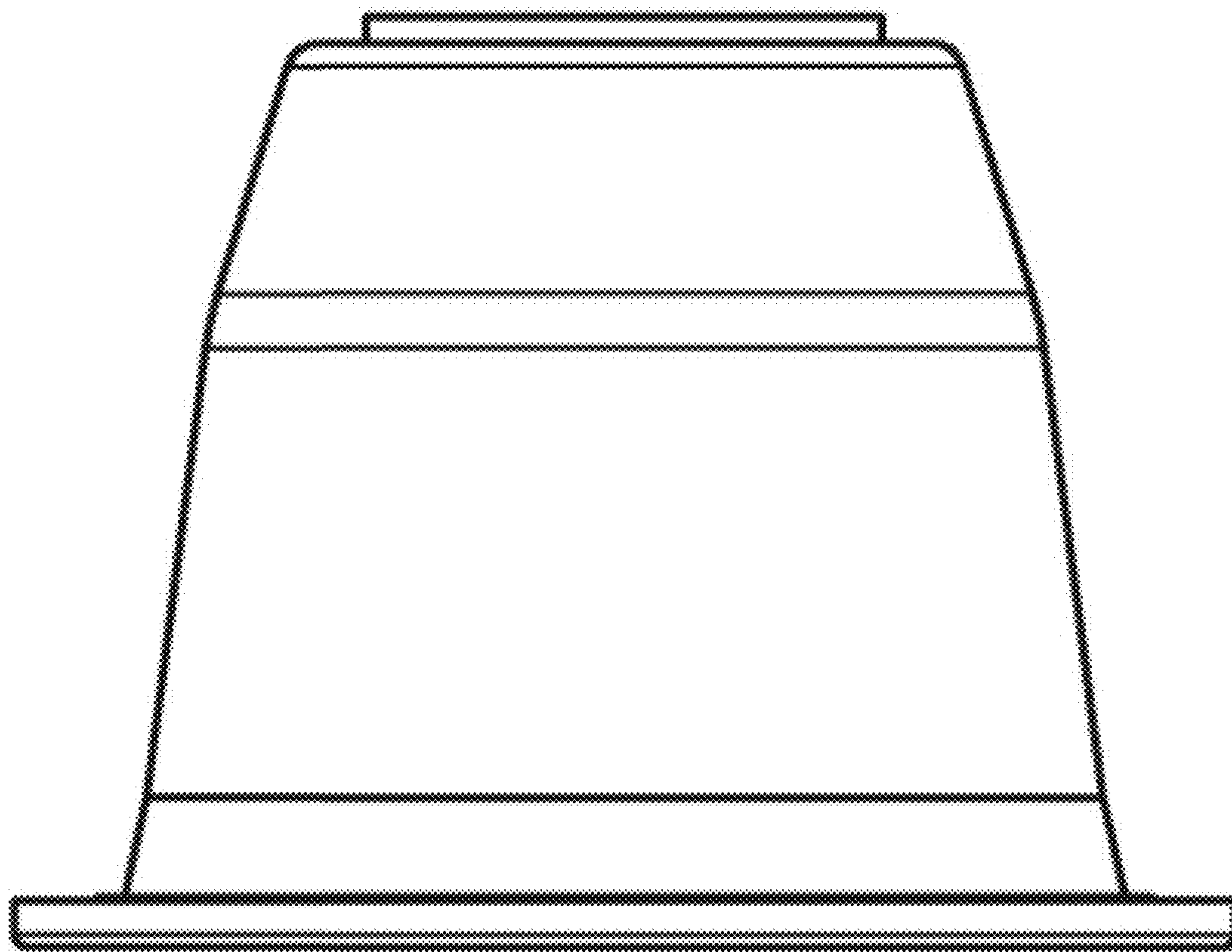


FIG. 3

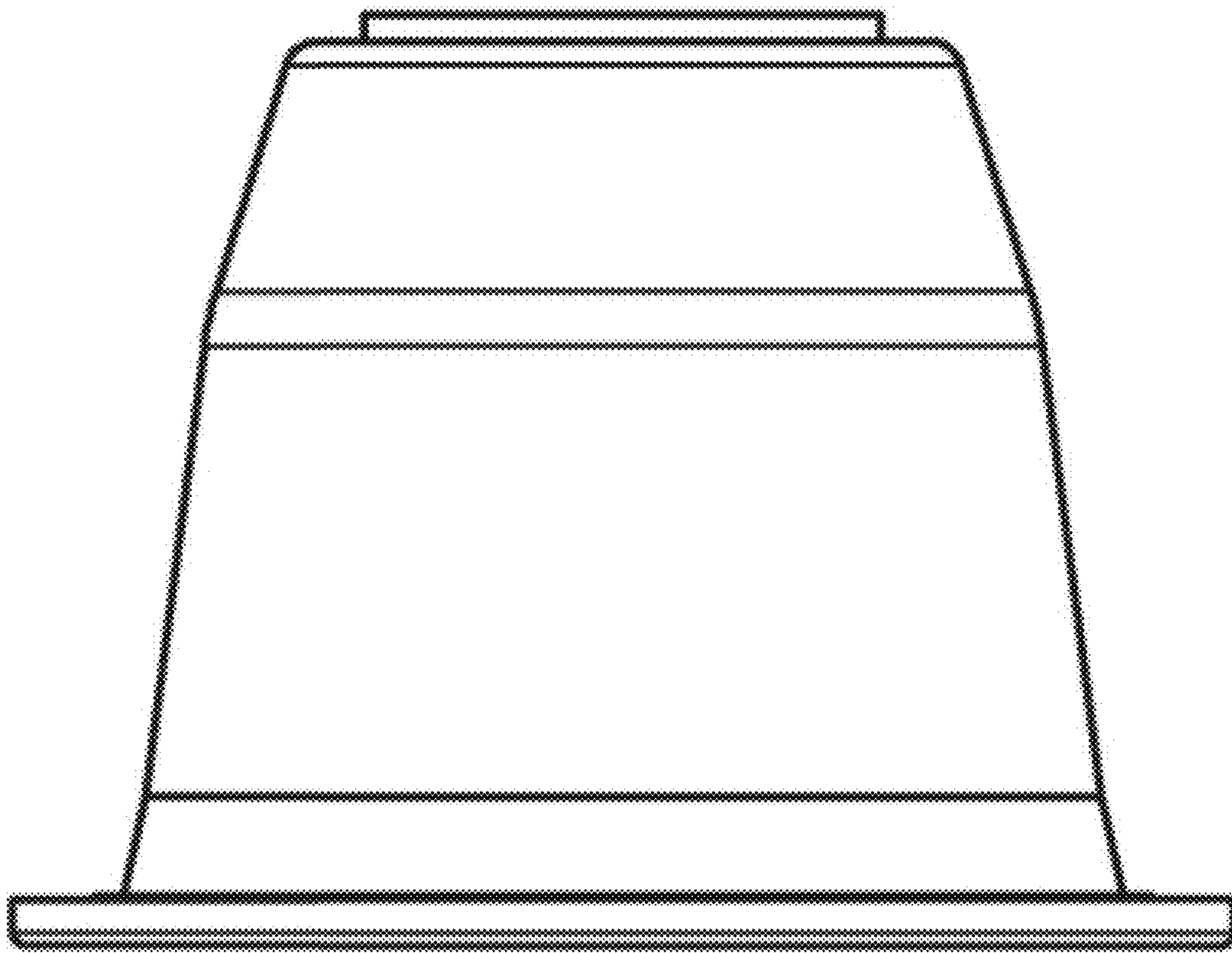


FIG. 4

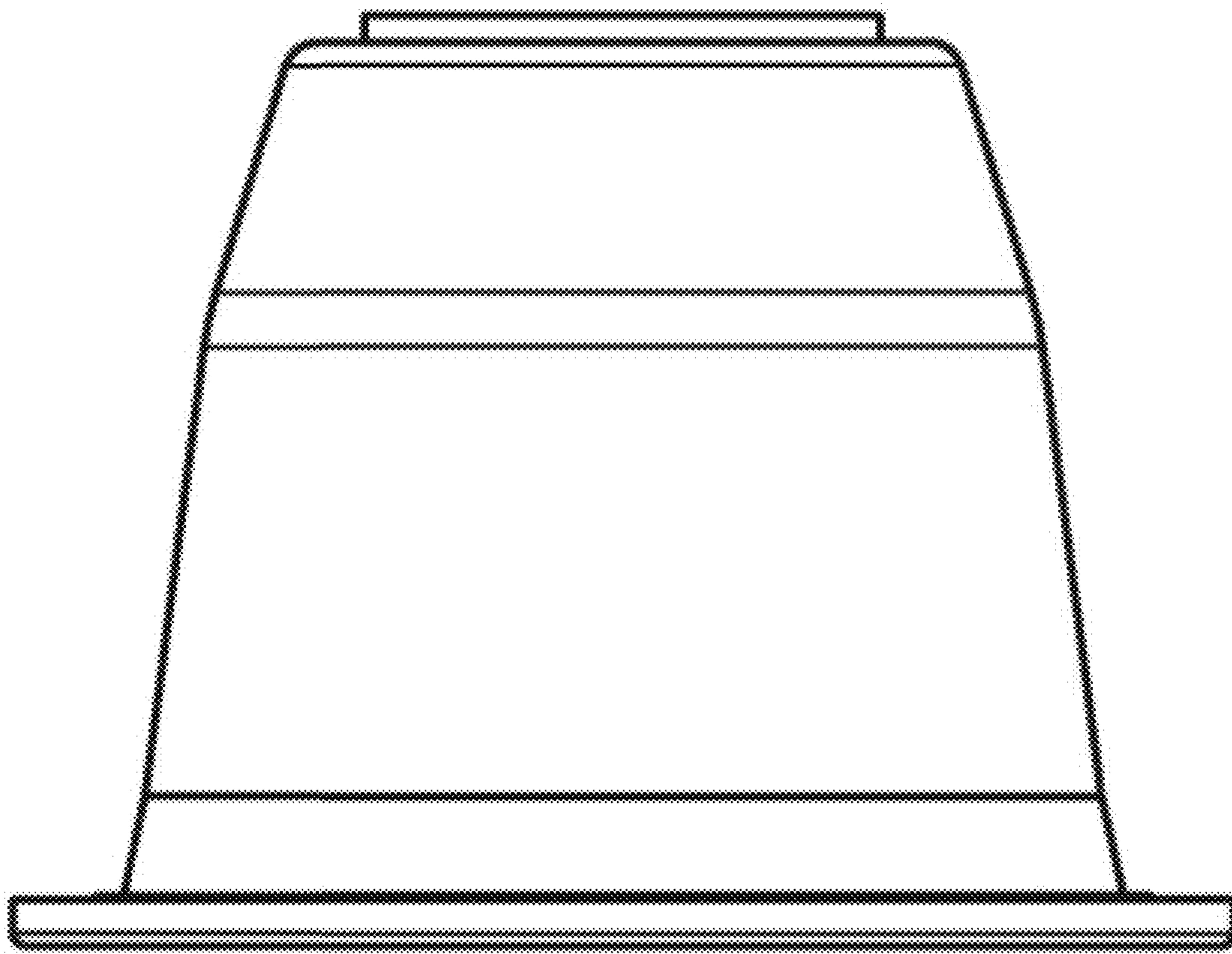


FIG. 5

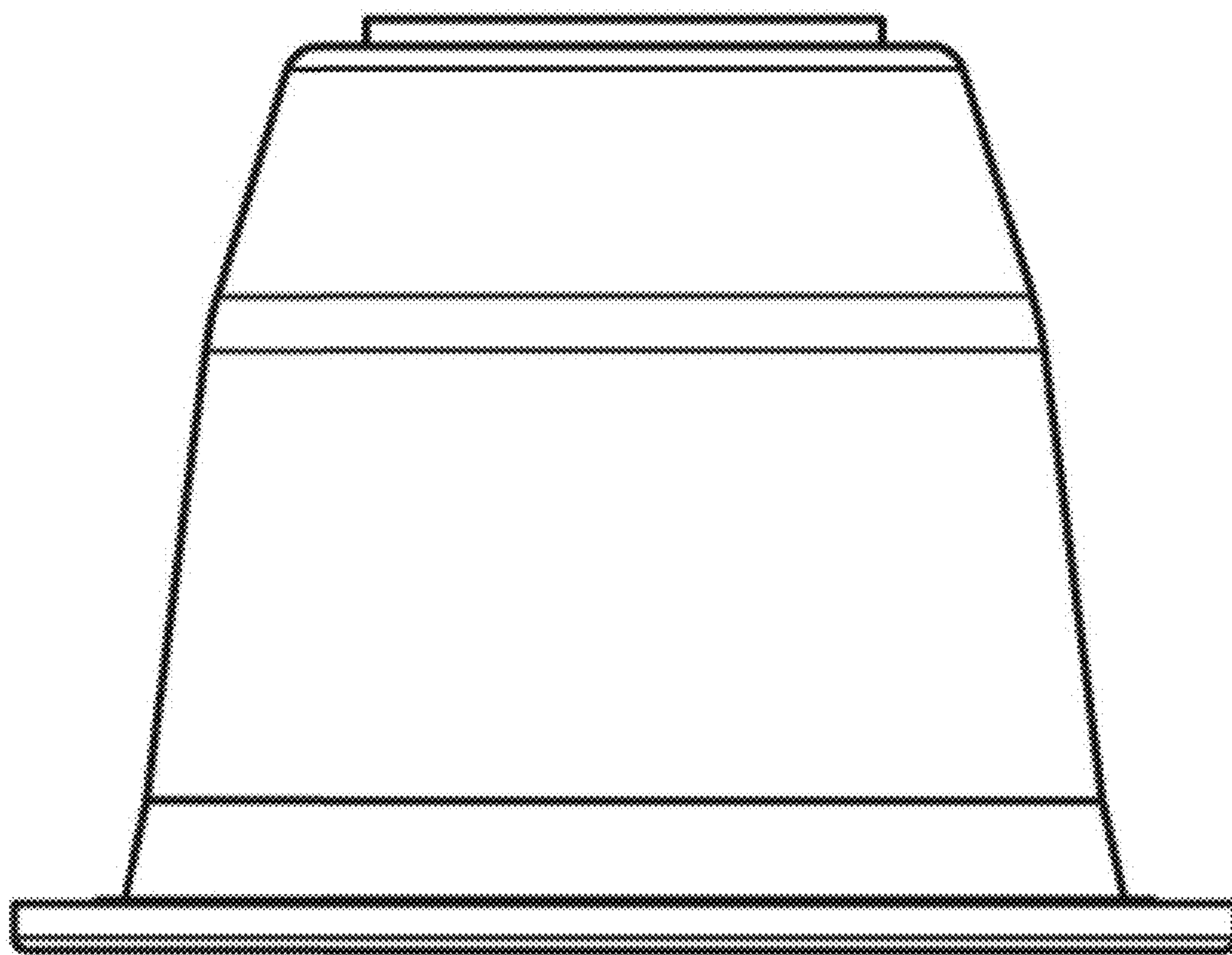


FIG. 6

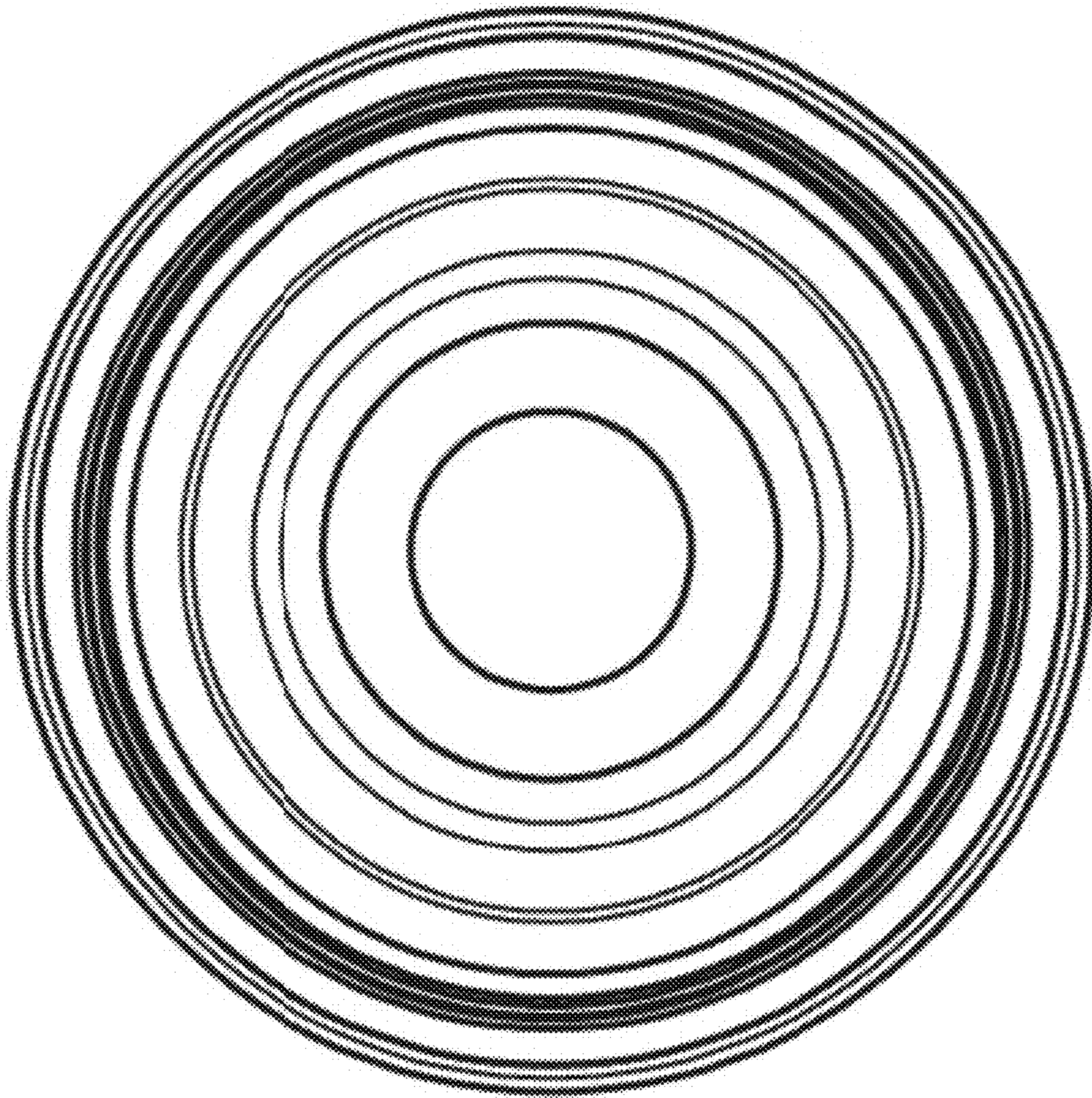


FIG. 7

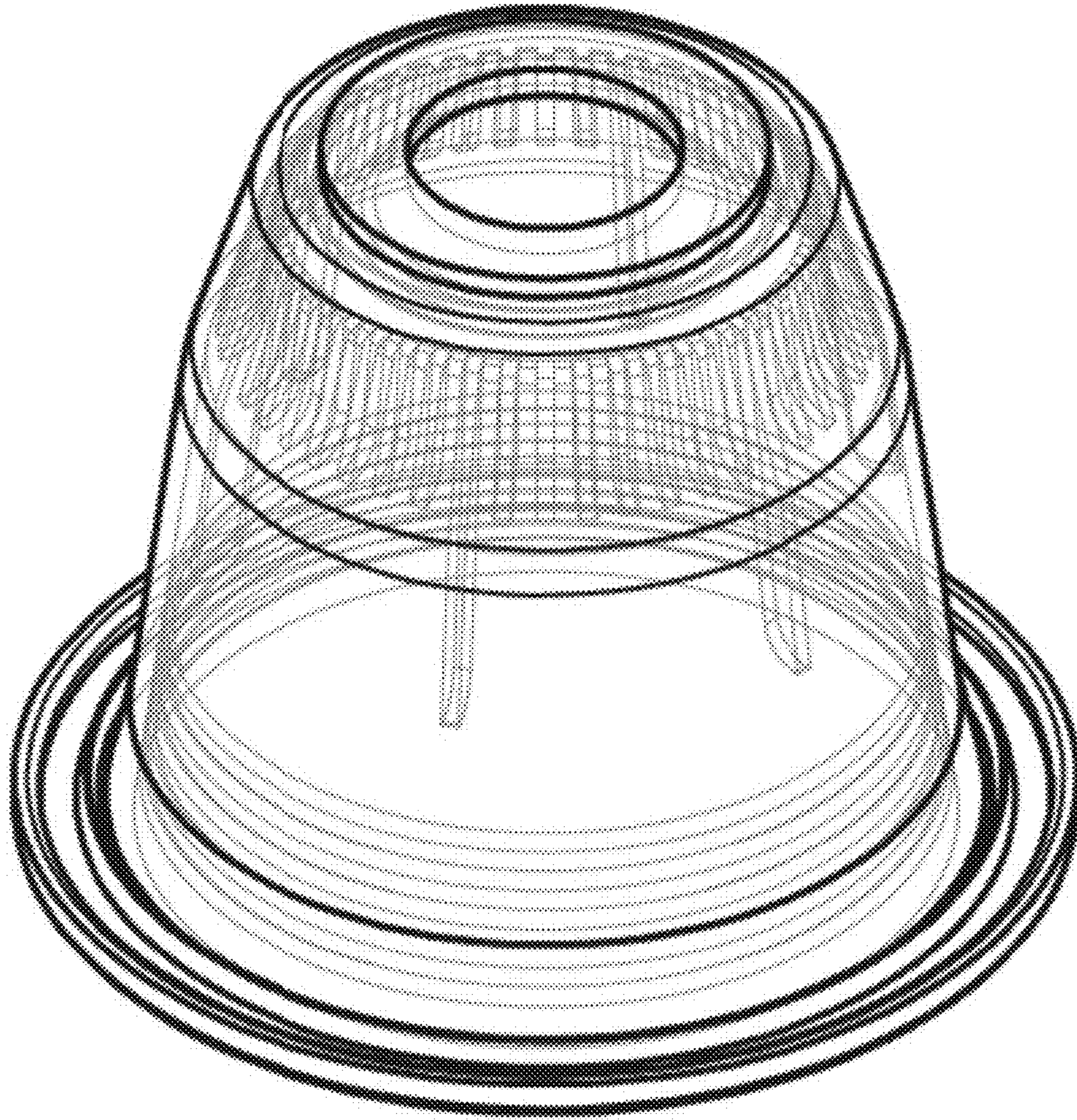


FIG. 8

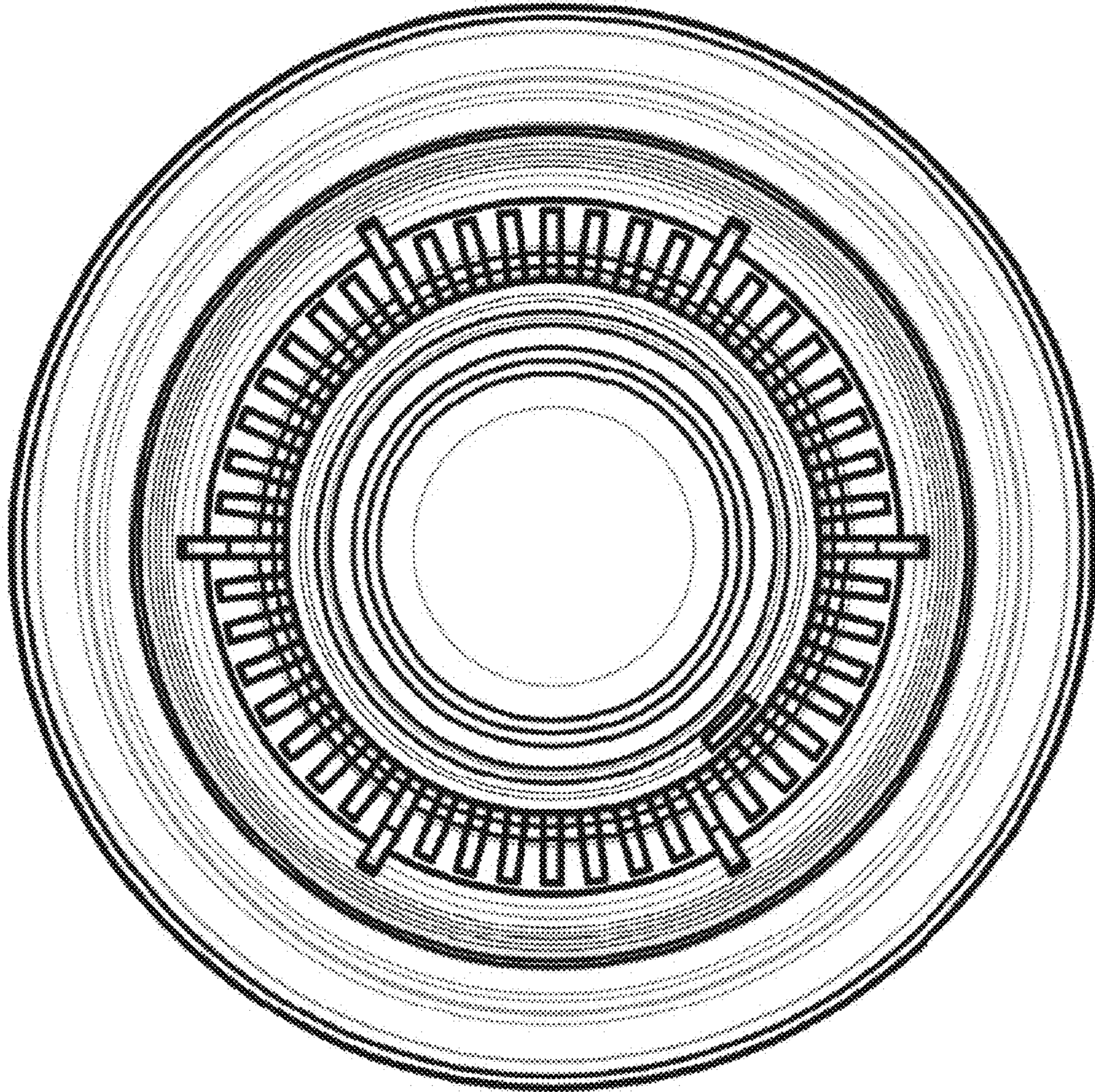


FIG. 9

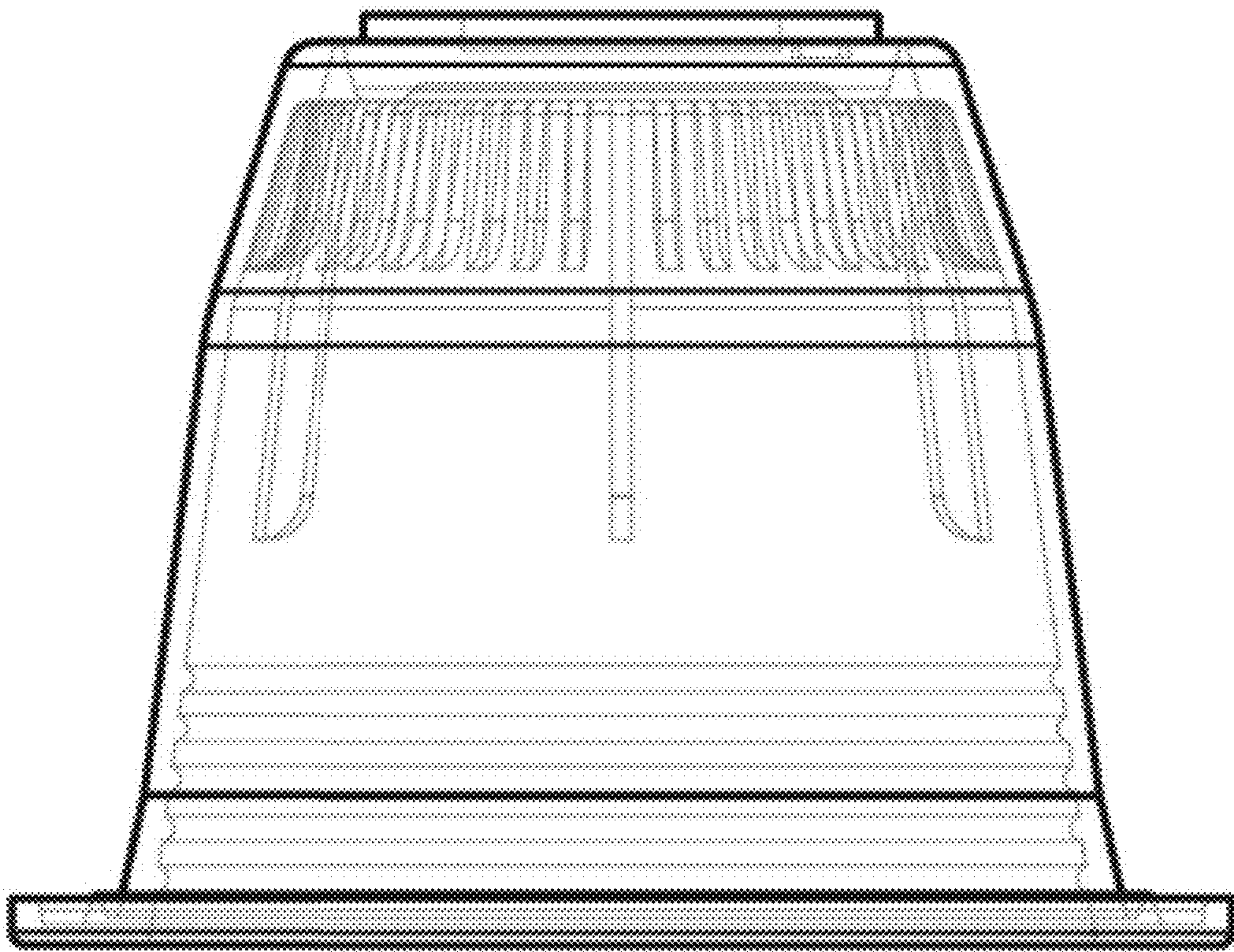


FIG. 10

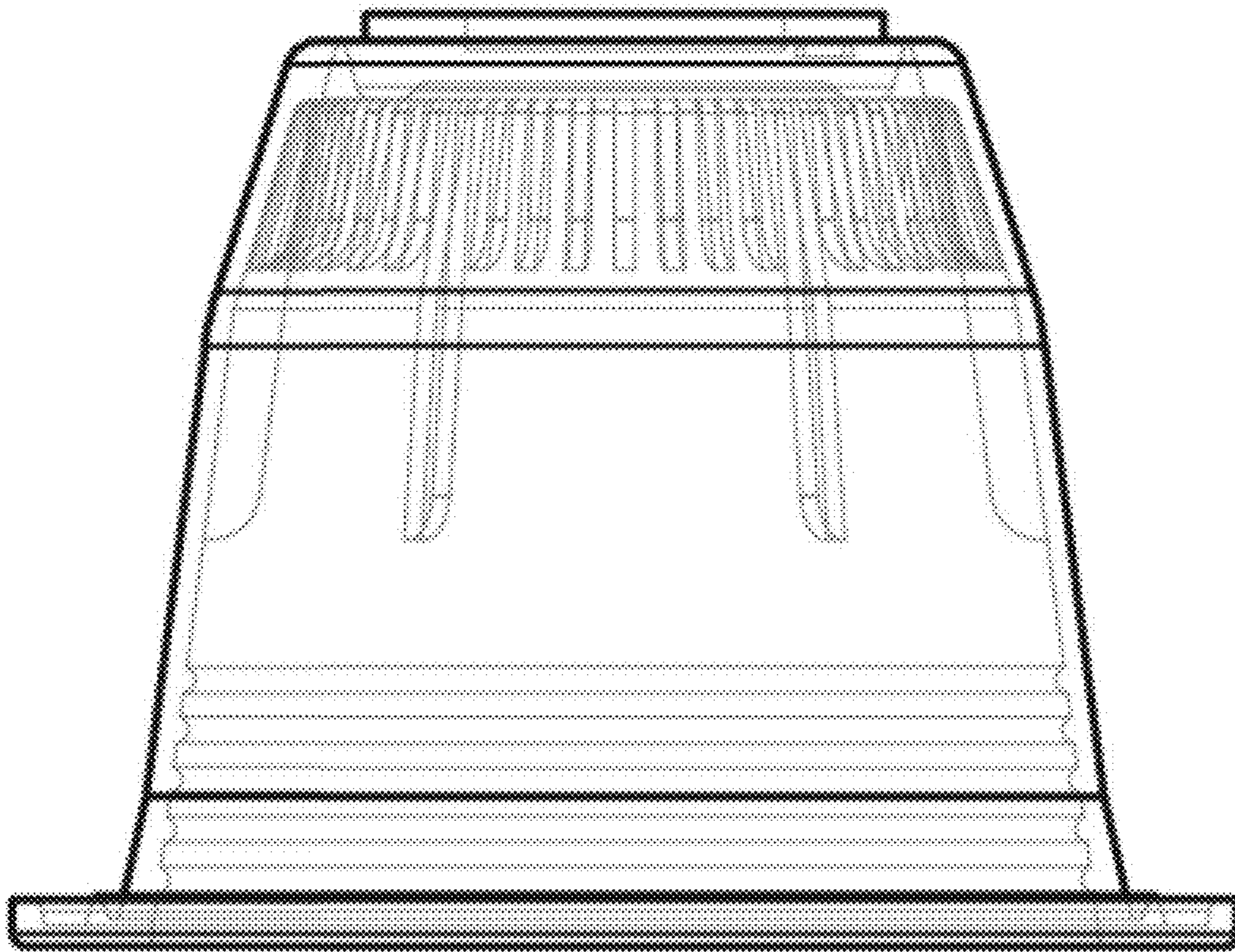


FIG. 11

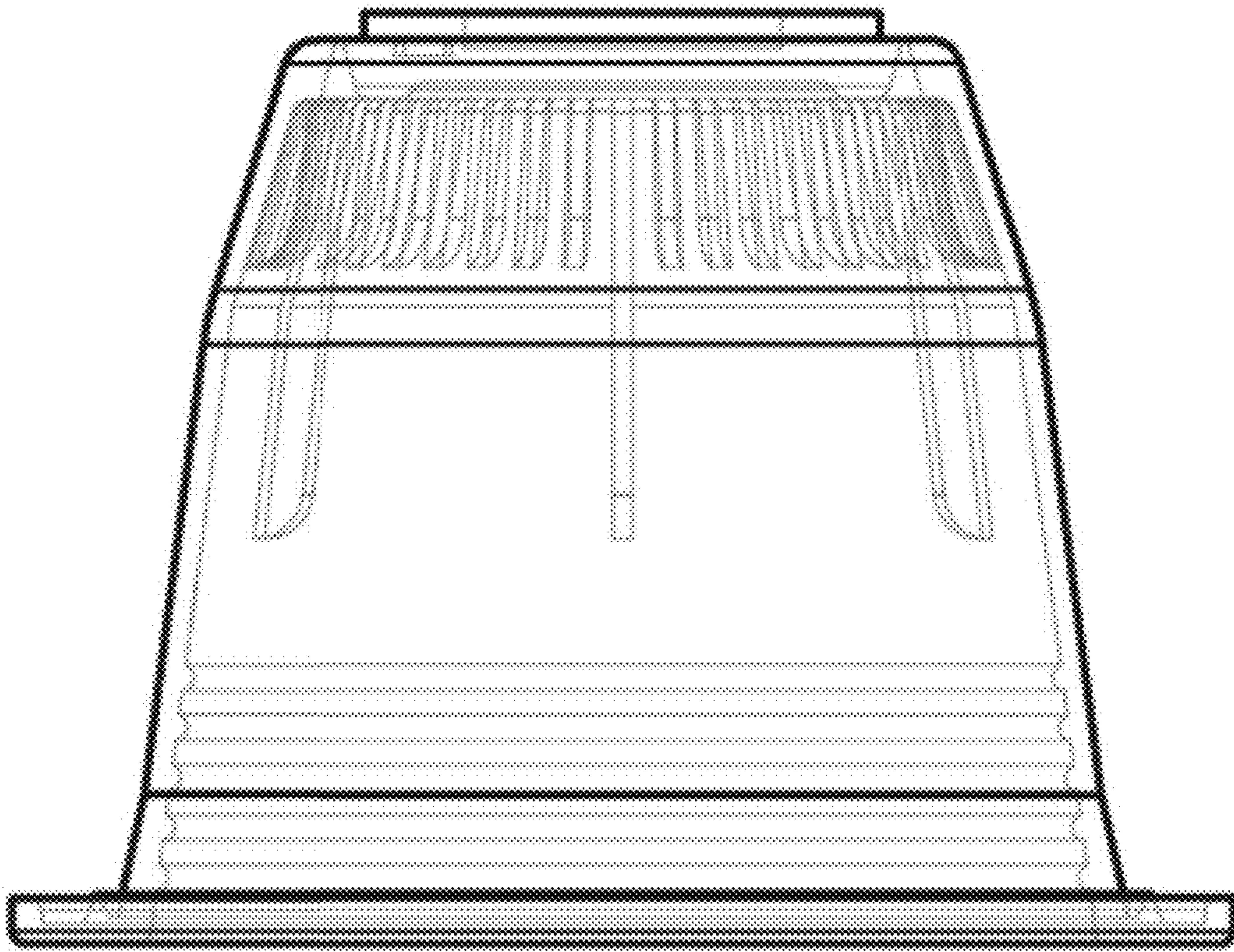


FIG. 12

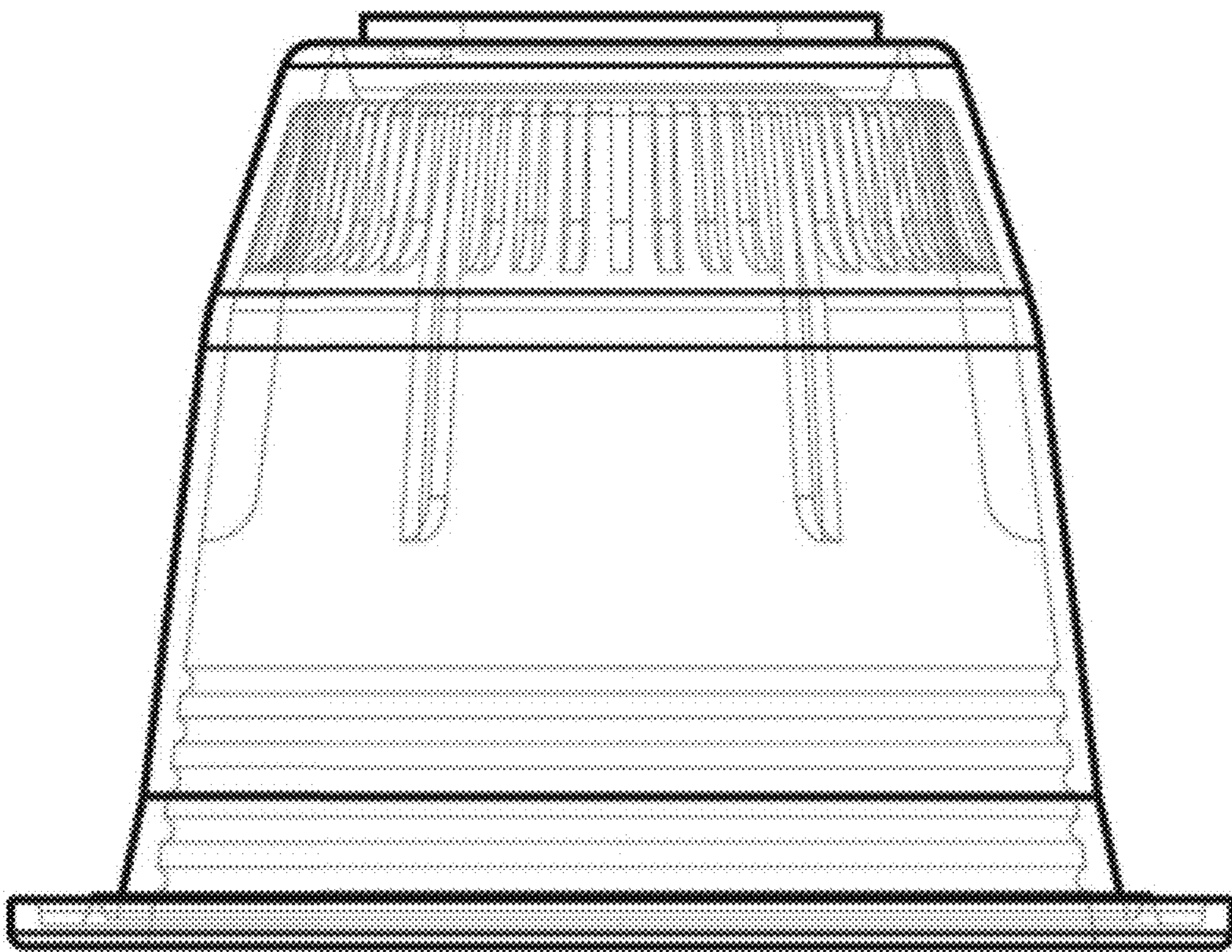


FIG. 13

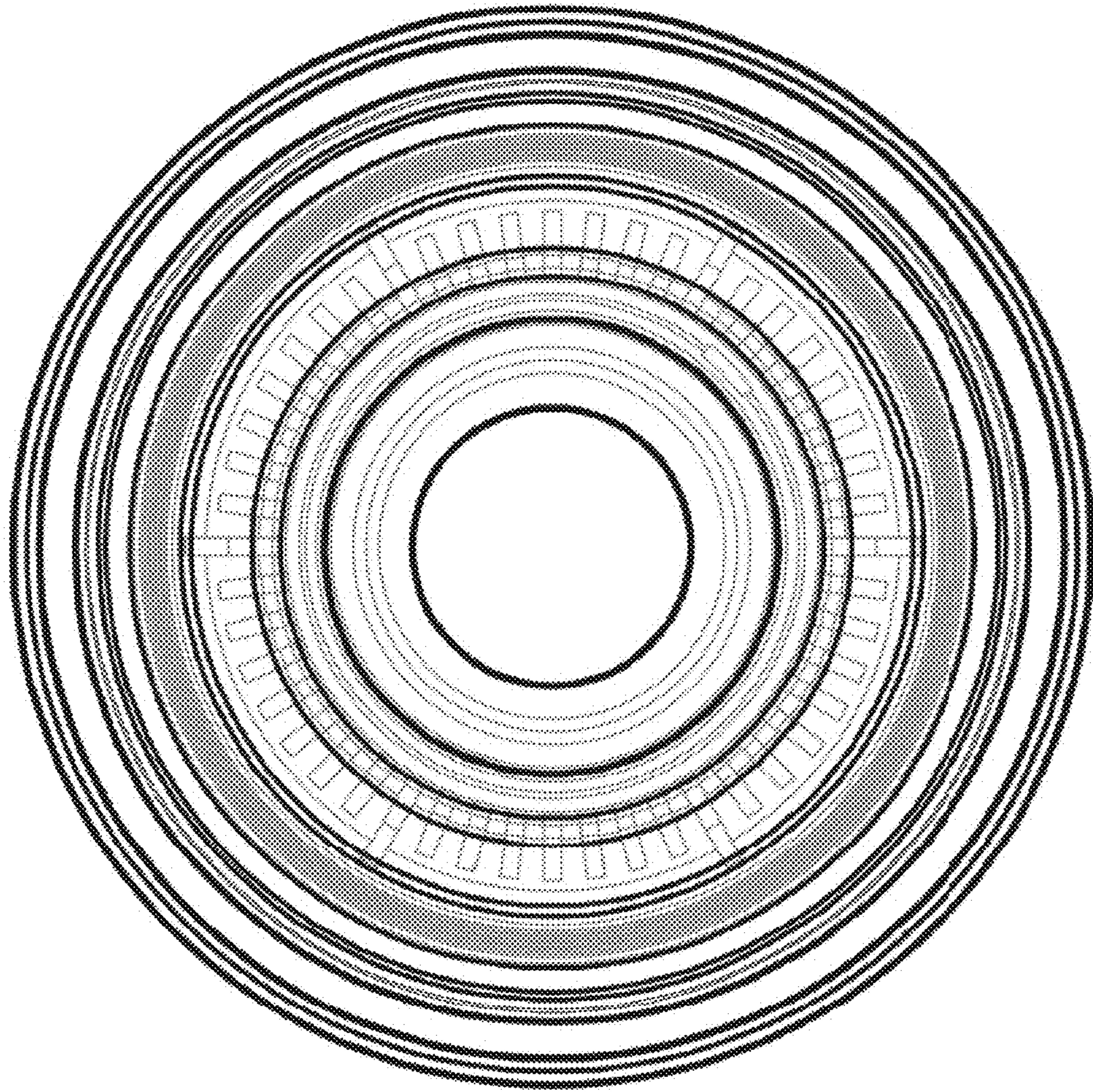


FIG. 14